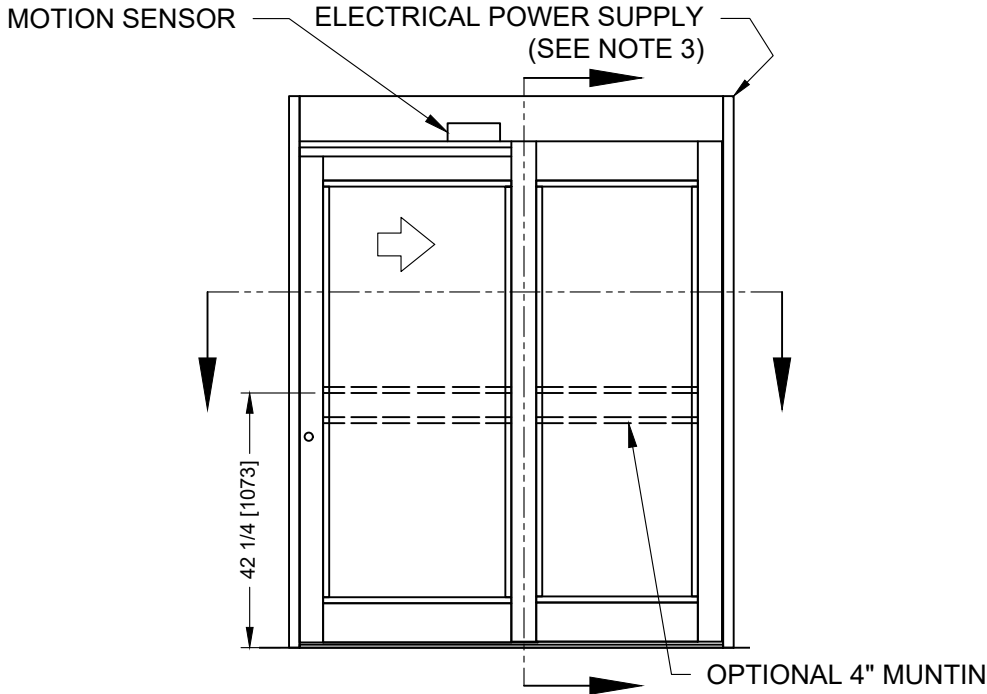




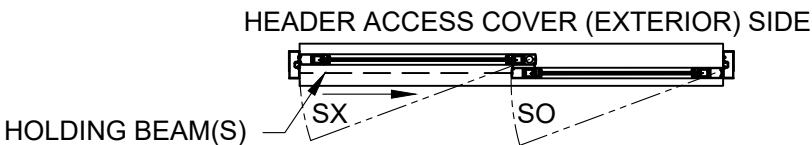
NABCO Entrances Inc.
 S82 W18717 Gemini Drive Muskego, WI 53150
 www.nabcoentrances.com 1-877-622-2694

JOB NAME: _____
 LOCATION: _____
 DISTRIBUTOR: _____
 DOOR #: _____ DATE: _____
 SHEET _____ OF _____

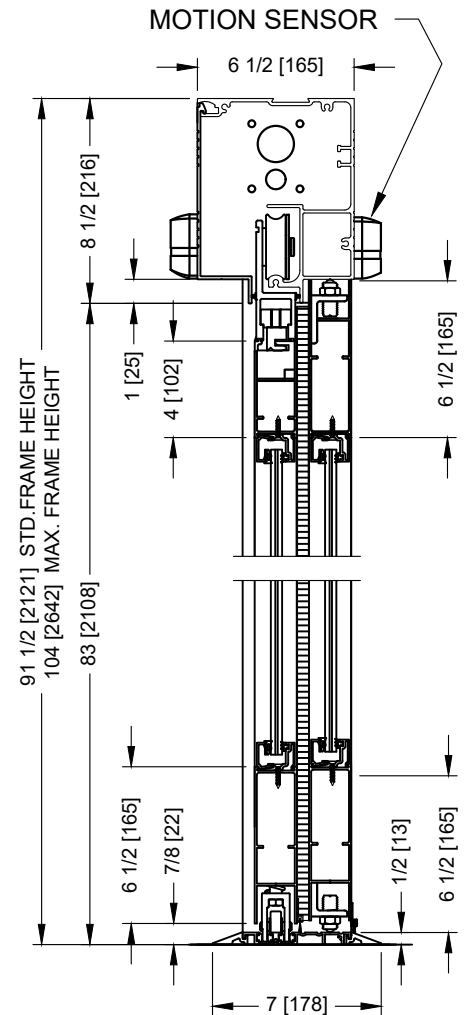
WHISPER SLIDE
GT1175-026
 RH SLIDE
 FULL BREAKOUT
 H-105 IMPACT
 H-105 NONIMPACT



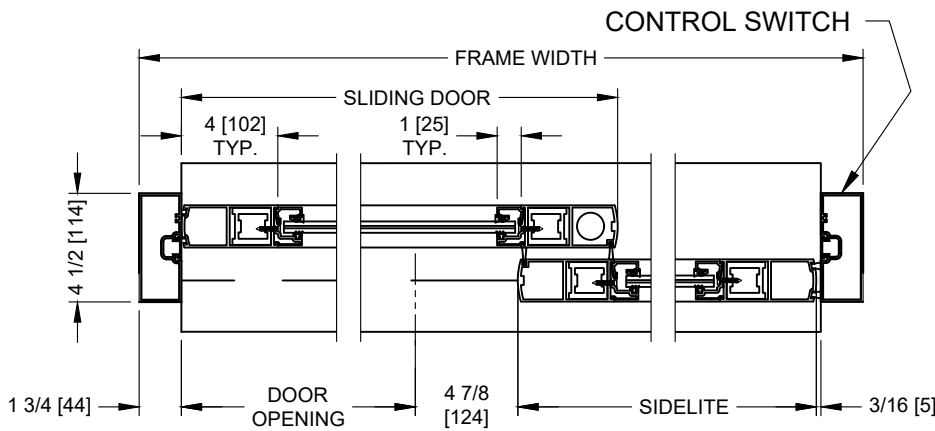
EXTERIOR ELEVATION



PLAN VIEW



VERTICAL SECTION



HORIZONTAL SECTION

- NOTES:
1. H-105 HURRICANE CERTIFICATION: MIAMI-DADE NOA 20-1106.03 / 20-1106.04.
 2. 7/16" HURRICANE GLASS FOR IMPACT RATING. 1/4" HURRICANE GLASS FOR NON-IMPACT RATING.
 3. POWER TO HEADER WILL BE 115VAC, 5 AMP PER OPERATOR PROVIDED BY ELECTRICAL CONTRACTOR.
 4. STANDARD 3 POINT LOCK.
 5. 1/2 X 7 THRESHOLD BETWEEN JAMBS.
 6. STANDARD ANODIZED FINISHES: 204 CLEAR, 303 DARK BRONZE, BLACK.
 7. MASONRY OPENING EQUALS FRAME WIDTH +1/2" AND FRAME HEIGHT +1/4".
 8. ONE SET OF HOLDING BEAMS AT 21" AFF STANDARD. SECOND SET AT 51" AFF IS OPTIONAL.

| MAX. DOOR OPENING | FULL BREAKOUT OPENING | FRAME WIDTH | SLIDING DOOR | SIDELITE |
|-------------------|-----------------------|--------------|----------------|-----------------|
| 35 3/8" [899] | 40 1/4" [1022] | 7'-0" [2134] | 44 3/8" [1127] | 40 1/16" [1018] |
| 41 3/8" [1051] | 46 1/4" [1175] | 8'-0" [2438] | 50 3/8" [1280] | 46 1/16" [1170] |
| 44 3/8" [1118] | 48 7/8" [1241] | 8'-6" [2591] | 53 3/8" [1346] | 49 1/16" [1246] |
| 47 3/8" [1203] | 52 1/4" [1327] | 9'-0" [2743] | 56 3/8" [1432] | 52 1/16" [1322] |