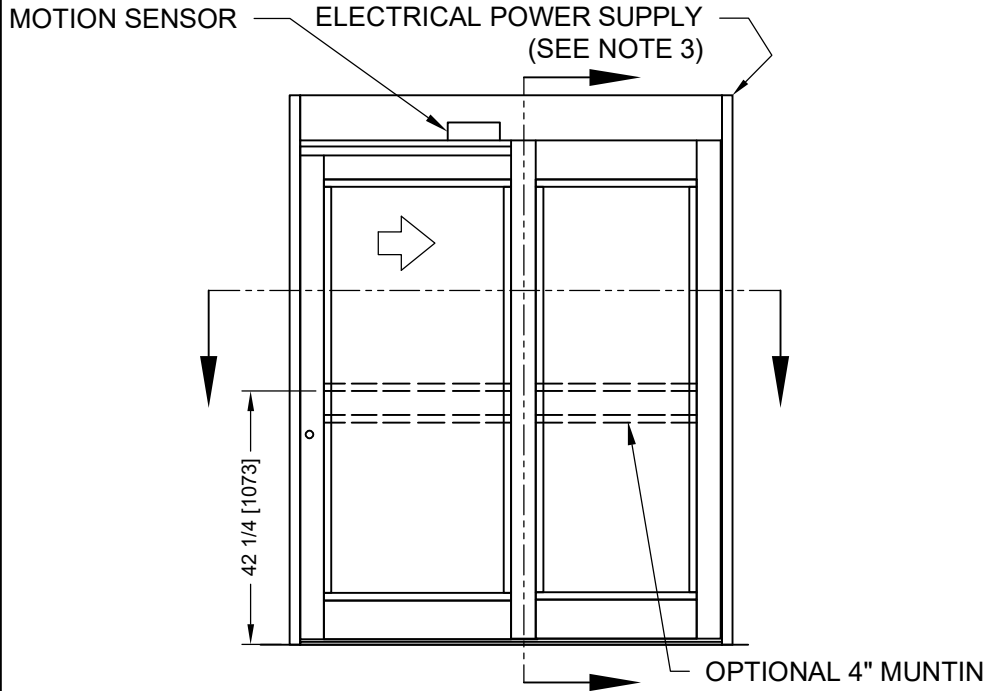




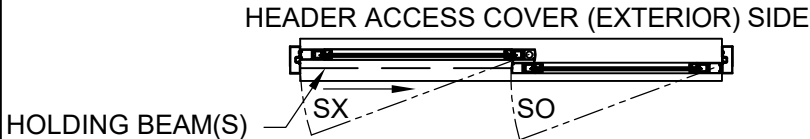
NABCO Entrances Inc.  
 S82 W18717 Gemini Drive Muskego, WI 53150  
 www.nabcoentrances.com 1-877-622-2694

JOB NAME: \_\_\_\_\_  
 LOCATION: \_\_\_\_\_  
 DISTRIBUTOR: \_\_\_\_\_  
 DOOR #: \_\_\_\_\_ DATE: \_\_\_\_\_  
 SHEET \_\_\_\_\_ OF \_\_\_\_\_

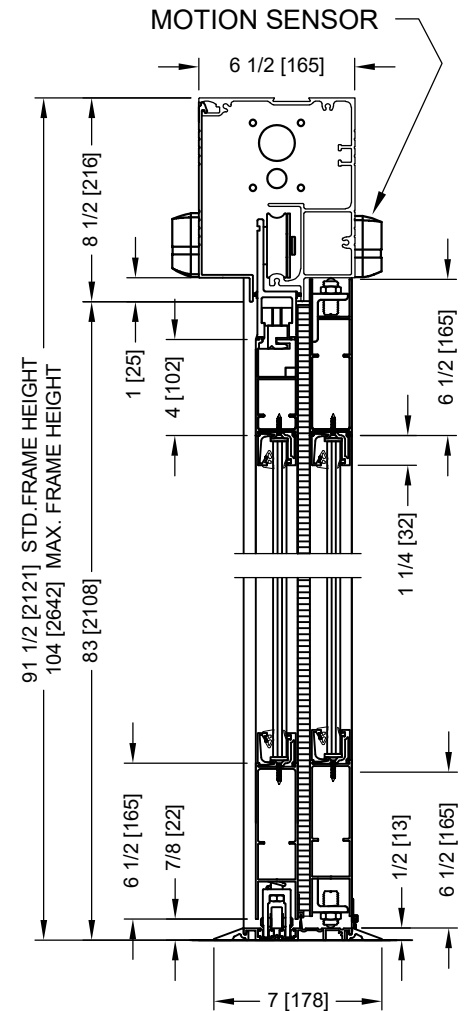
**WHISPER SLIDE**  
**GT1175-029**  
 RH SLIDE  
 FULL BREAKOUT  
 H-105 IMPACT  
 LEVEL E



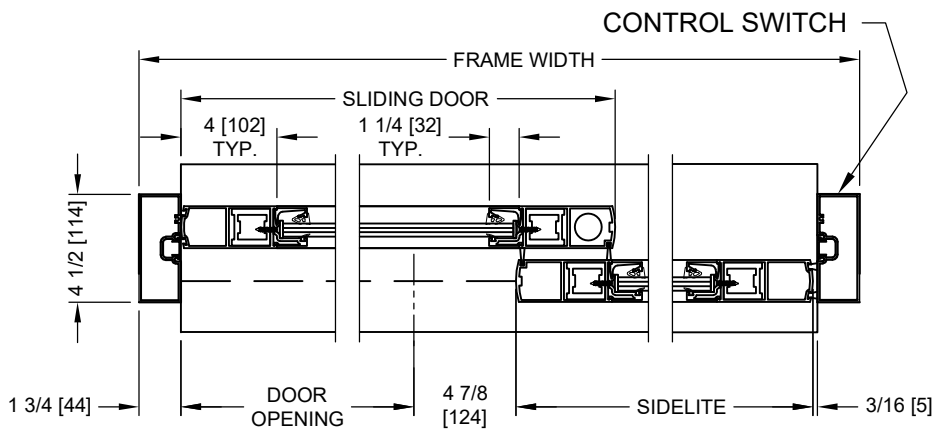
**EXTERIOR ELEVATION**



**PLAN VIEW**



**VERTICAL SECTION**



**HORIZONTAL SECTION**

**NOTES:**

- H-105 LEVEL E HURRICANE CERTIFICATION: FLORIDA PRODUCT NUMBER FL39894.
- 9/16" HURRICANE GLASS FOR LEVEL E RATING.
- POWER TO HEADER WILL BE 115VAC, 5 AMP PER OPERATOR PROVIDED BY ELECTRICAL CONTRACTOR.
- STANDARD 3 POINT LOCK.
- 1/2 X 7 THRESHOLD BETWEEN JAMBS.
- STANDARD ANODIZED FINISHES: 204 CLEAR, 303 DARK BRONZE, BLACK.
- MASONRY OPENING EQUALS FRAME WIDTH + 1/2" AND FRAME HEIGHT + 1/4".
- ONE SET OF HOLDING BEAMS AT 21" AFF STANDARD. SECOND SET AT 51" AFF IS OPTIONAL.

MAX. DOOR OPENING	FULL BREAKOUT OPENING	FRAME WIDTH	SLIDING DOOR	SIDELITE
35 3/8" [899]	40 1/4" [1022]	7'-0" [2134]	44 3/8" [1127]	40 1/16" [1018]
41 3/8" [1051]	46 1/4" [1175]	8'-0" [2438]	50 3/8" [1280]	46 1/16" [1170]
44 3/8" [1118]	48 7/8" [1241]	8'-6" [2591]	53 3/8" [1346]	49 1/16" [1246]
47 3/8" [1203]	52 1/4" [1327]	9'-0" [2743]	56 3/8" [1432]	52 1/16" [1322]