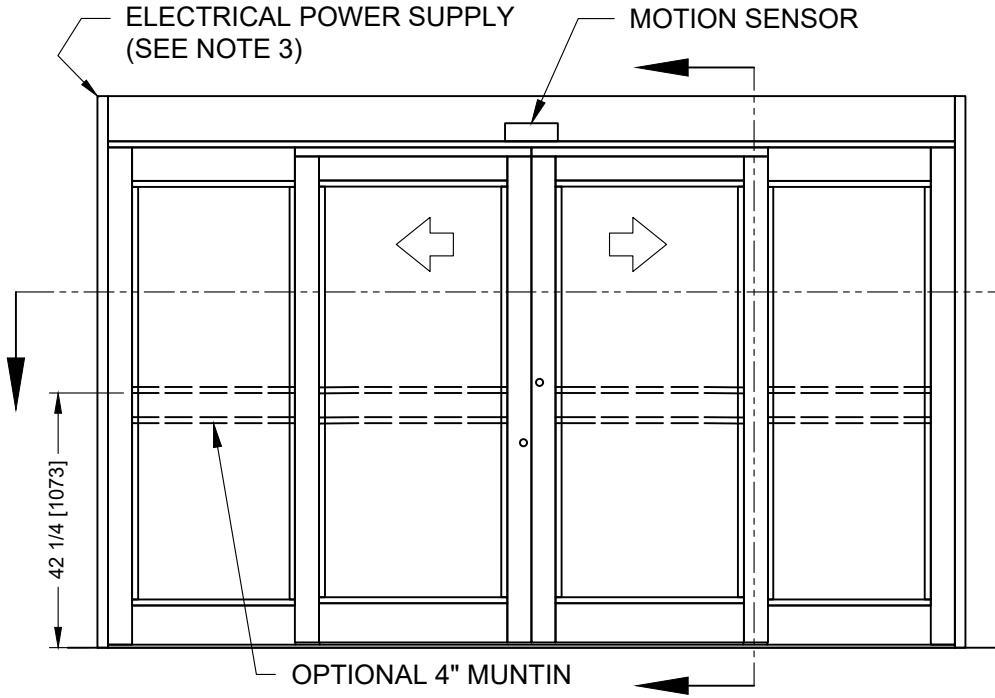




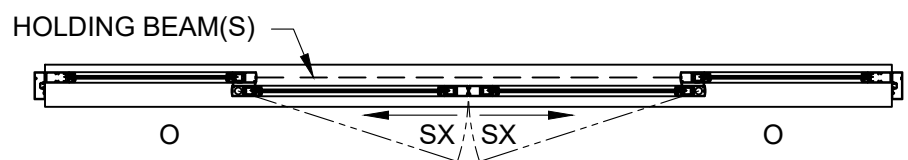
NABCO Entrances Inc.
 S82 W18717 Gemini Drive Muskego, WI 53150
 www.nabcoentrances.com 1-877-622-2694

JOB NAME: _____
 LOCATION: _____
 DISTRIBUTOR: _____
 DOOR #: _____ DATE: _____
 SHEET _____ OF _____

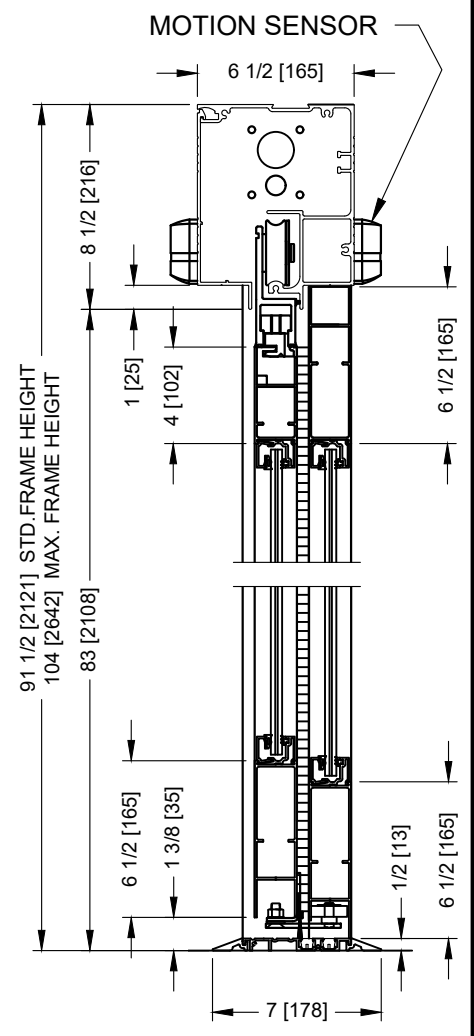
WHISPER SLIDE
GT1175-024
 BI-PART SLIDE
 FIXED SIDELITE
 H-105 IMPACT
 H-105 NONIMPACT



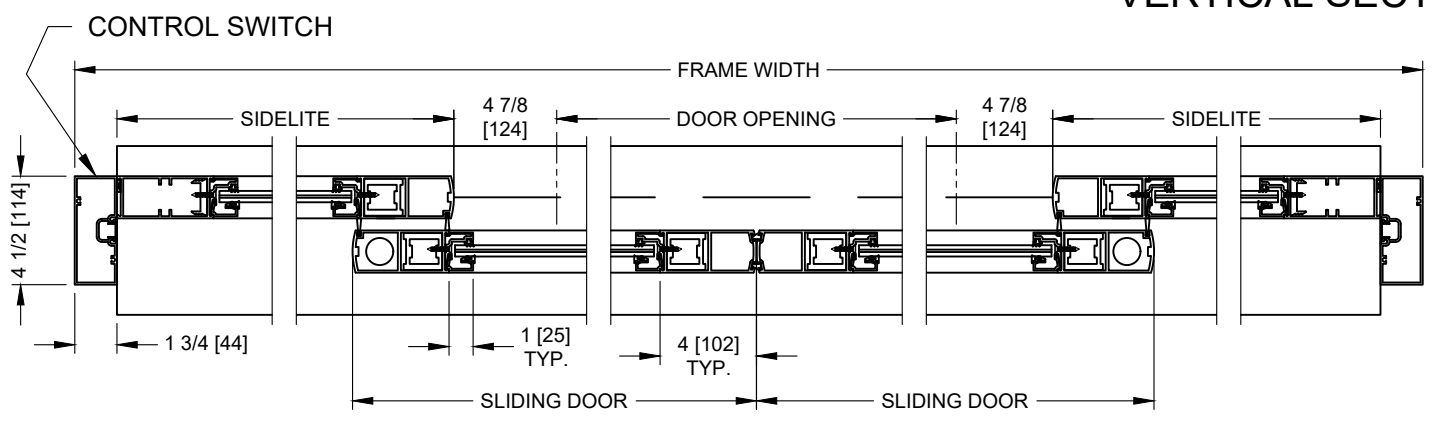
EXTERIOR ELEVATION



PLAN VIEW



VERTICAL SECTION



HORIZONTAL SECTION

- NOTES:
1. H-105 HURRICANE CERTIFICATION: MIAMI-DADE NOA 20-1106.03 / 20-1106.04.
 2. 7/16" HURRICANE GLASS FOR IMPACT RATING. 1/4" HURRICANE GLASS FOR NON-IMPACT RATING.
 3. POWER TO HEADER WILL BE 115VAC, 5 AMP PER OPERATOR PROVIDED BY ELECTRICAL CONTRACTOR.
 4. STANDARD LOCK IS A 3 POINT/ 2 POINT LOCK.
 5. 1/2 X 7 THRESHOLD BETWEEN JAMBS.
 6. STANDARD FINISHES: 204 CLEAR, 303 DARK BRONZE, BLACK ANODIZED.
 7. MASONRY OPENING EQUALS FRAME WIDTH +1/2" AND FRAME HEIGHT +1/4".
 8. ONE SET OF HOLDING BEAMS AT 21" AFF STANDARD. SECOND SET AT 51" AFF IS OPTIONAL.

MAX. DOOR OPENING	FULL BREAKOUT OPENING	FRAME WIDTH	SLIDING DOOR	SIDELITE
48 1/2" [1232]	57 3/4" [1467]	10'-0" [3048]	33 1/4" [846]	29 1/8" [740]
60 1/2" [1537]	69 3/4" [1772]	12'-0" [3658]	39 1/4" [997]	35 1/8" [892]
72 1/2" [1842]	81 3/4" [2076]	14'-0" [4267]	45 1/4" [1150]	41 1/8" [1045]
84 1/2" [2156]	93 3/4" [2381]	16'-0" [4877]	51 1/4" [1302]	47 1/8" [1196]
96 1/2" [2451]	105 3/4" [2686]	18'-0" [5486]	57 1/4" [1454]	53 1/8" [1350]