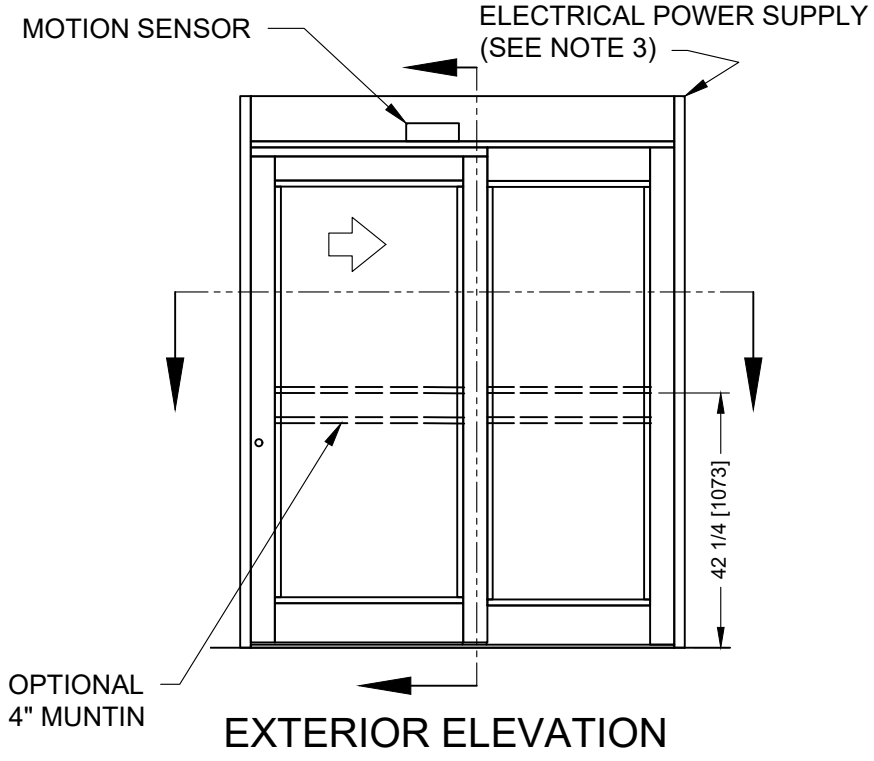




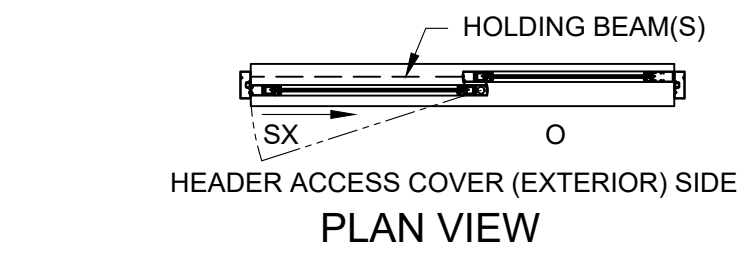
NABCO Entrances Inc.
 S82 W18717 Gemini Drive Muskego, WI 53150
 www.nabcoentrances.com 1-877-622-2694

JOB NAME: _____
 LOCATION: _____
 DISTRIBUTOR: _____
 DOOR #: _____ DATE: _____
 SHEET _____ OF _____

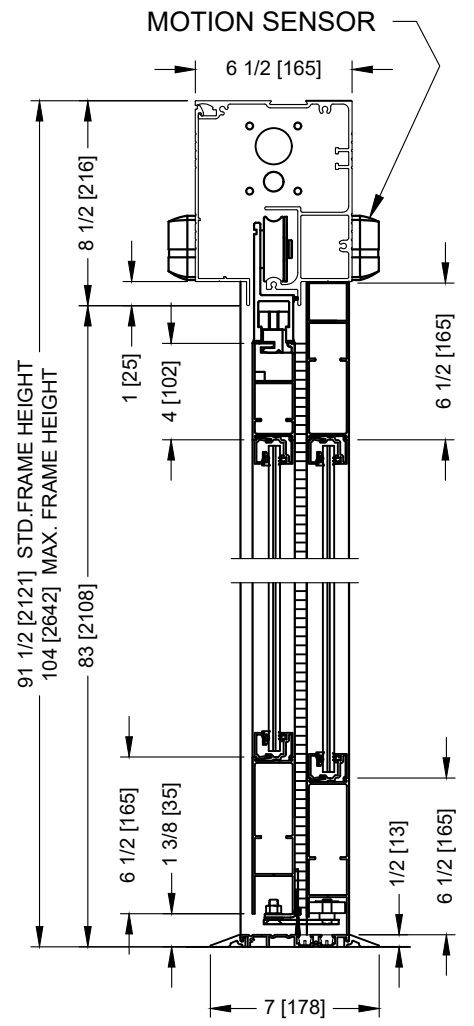
WHISPER SLIDE
GT1175-023
 RH SLIDE
 FIXED SIDELITE
 H-105 IMPACT
 H-105 NONIMPACT



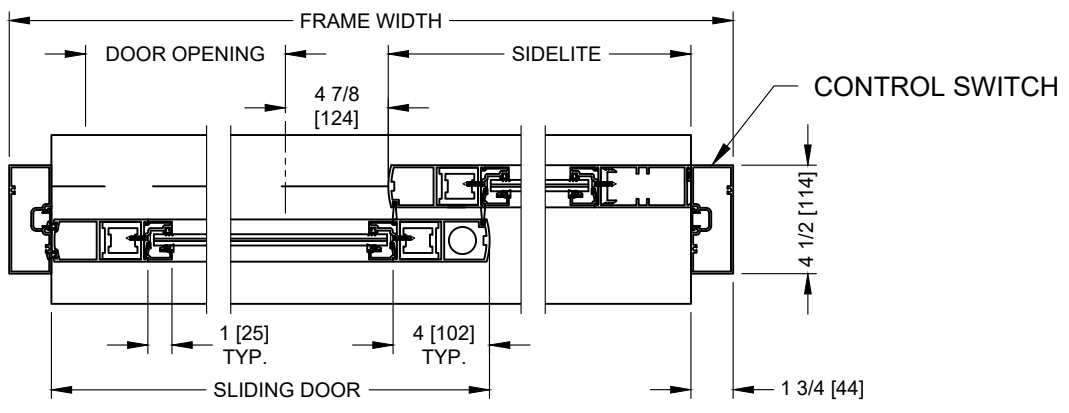
EXTERIOR ELEVATION



PLAN VIEW



VERTICAL SECTION



HORIZONTAL SECTION

- NOTES:
- H-105 HURRICANE CERTIFICATION: MIAMI-DADE NOA 20-1106.03 / 20-1106.04.
 - 7/16" HURRICANE GLASS FOR IMPACT RATING. 1/4" HURRICANE GLASS FOR NON-IMPACT RATING.
 - POWER TO HEADER WILL BE 115VAC, 5 AMP PER OPERATOR PROVIDED BY ELECTRICAL CONTRACTOR.
 - STANDARD 3 POINT LOCK.
 - 1/2 X 7 THRESHOLD BETWEEN JAMBS.
 - STANDARD ANODIZED FINISHES: 204 CLEAR, 303 DARK BRONZE, BLACK.
 - MASONRY OPENING EQUALS FRAME WIDTH +1/2" AND FRAME HEIGHT +1/4".
 - ONE SET OF HOLDING BEAMS AT 21" AFF STANDARD. SECOND SET AT 51" AFF IS OPTIONAL.

MAX. DOOR OPENING	FULL BREAKOUT OPENING	FRAME WIDTH	SLIDING DOOR	SIDELITE
35 3/8" [899]	40 1/4" [1022]	7'-0" [2134]	44 3/8" [1127]	40 1/4" [1022]
41 3/8" [1051]	46 1/4" [1175]	8'-0" [2438]	50 3/8" [1280]	46 1/4" [1175]
44 3/8" [1118]	48 7/8" [1241]	8'-6" [2591]	53 3/8" [1346]	49 1/4" [1260]
47 3/8" [1203]	52 1/4" [1327]	9'-0" [2743]	56 3/8" [1432]	52 1/4" [1327]