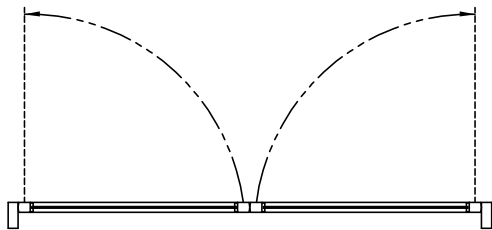
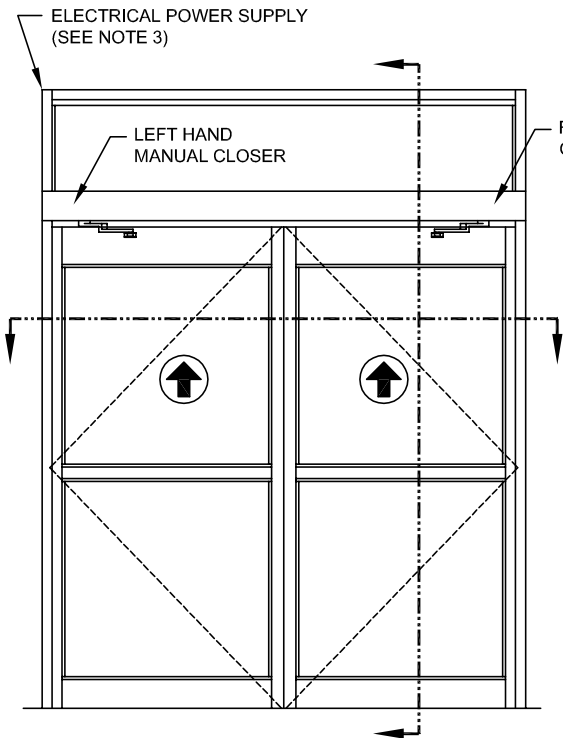




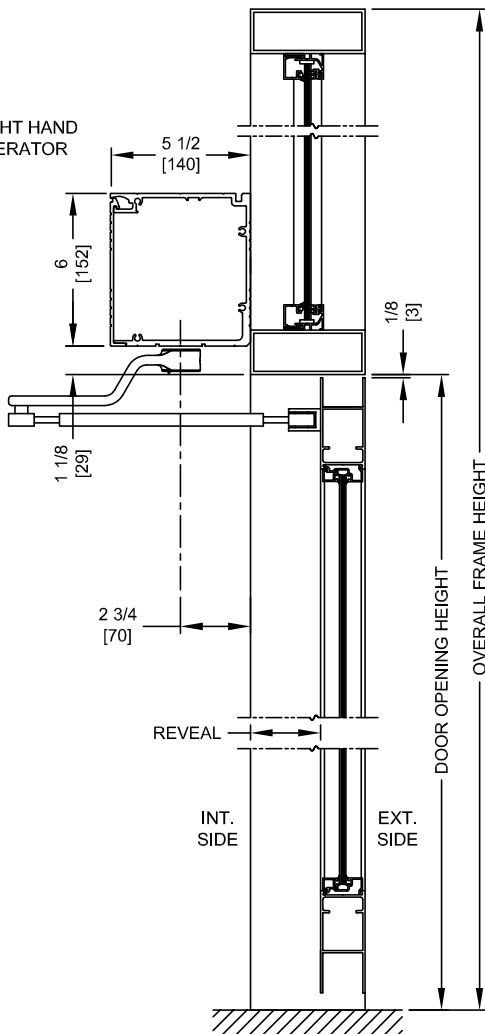
NABCO Entrances Inc.  
 S82 W18717 Gemini Drive Muskego, WI 53150  
 www.nabcoentrances.com 1-877-622-2694

JOB NAME: \_\_\_\_\_  
 LOCATION: \_\_\_\_\_  
 DISTRIBUTOR: \_\_\_\_\_  
 DOOR #: \_\_\_\_\_ DATE: \_\_\_\_\_  
 SHEET \_\_\_\_\_ OF \_\_\_\_\_

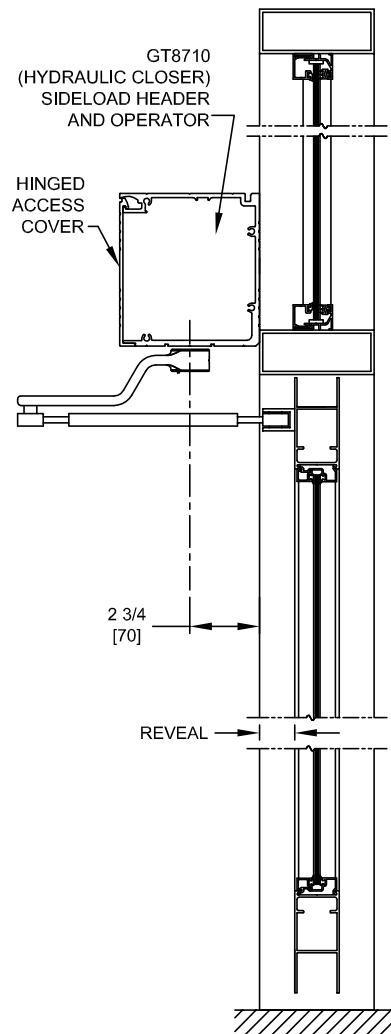
**GT8710-04OPL**  
 SIDELOAD HEADER  
 OPMAN LEFT HAND  
 PAIR  
 OUTSWING



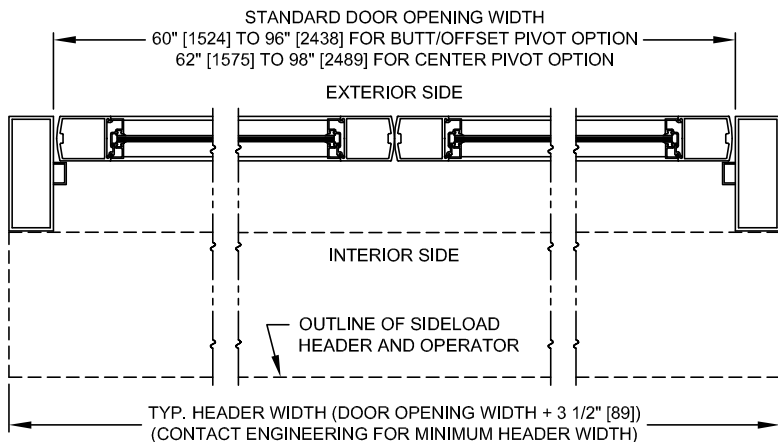
OPERATOR (INTERIOR) SIDE  
 INTERIOR ELEVATION/PLAN



VERTICAL SECTION  
 BUTT/OFFSET PIVOT OPTION



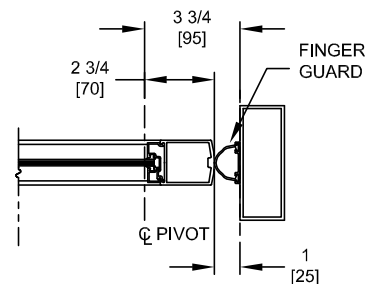
VERTICAL SECTION  
 CENTER PIVOT OPTION



HORIZONTAL SECTION

NOTES:

1. GUIDE RAILS, MATS, PUSH PLATES AND VARIOUS ELECTRONIC DEVICES FOR THE DOOR ACTIVATION AND CONTROL ARE OPTIONAL. CONSULT WITH YOUR NABCO/GYRO TECH DISTRIBUTOR.
2. DOORS AND FRAMES ARE NOT INCLUDED UNLESS NOTED.
3. POWER TO HEADER WILL BE 115VAC, 5 AMP PER OPERATOR PROVIDED BY ELECTRICAL CONTRACTOR.
4. STANDARD HARDWARE SUPPLIED WILL ACCOMMODATE DOOR THICKNESS OF 1 3/4" TO 2 1/4".
5. APPLICATION ON BALANCE DOORS REQUIRES RELOCATION OF THE OPERATOR PIVOT.
6. OPMAN IS MANUAL OPERATOR ON THE LEFT HAND OUTSWING DOOR AND AN AUTOMATIC OPERATOR ON THE RIGHT HAND OUTSWING DOOR



HINGE JAMB AT CENTER  
 PIVOT OPTION

**LOW ENERGY**