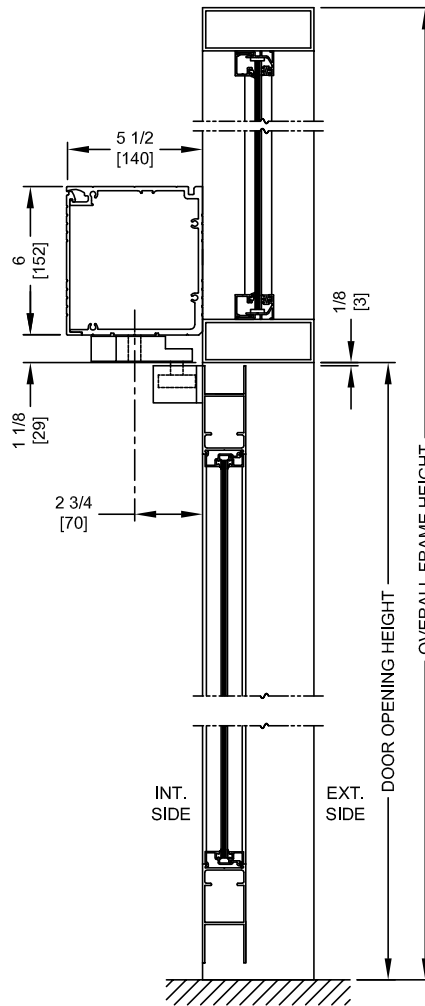
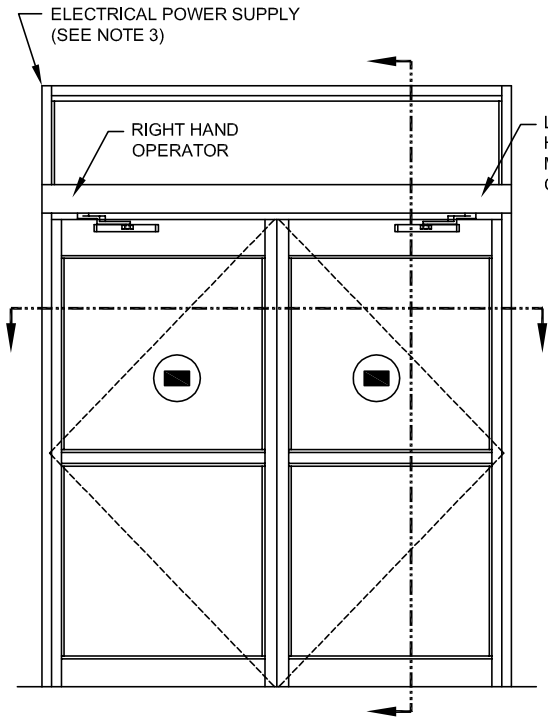




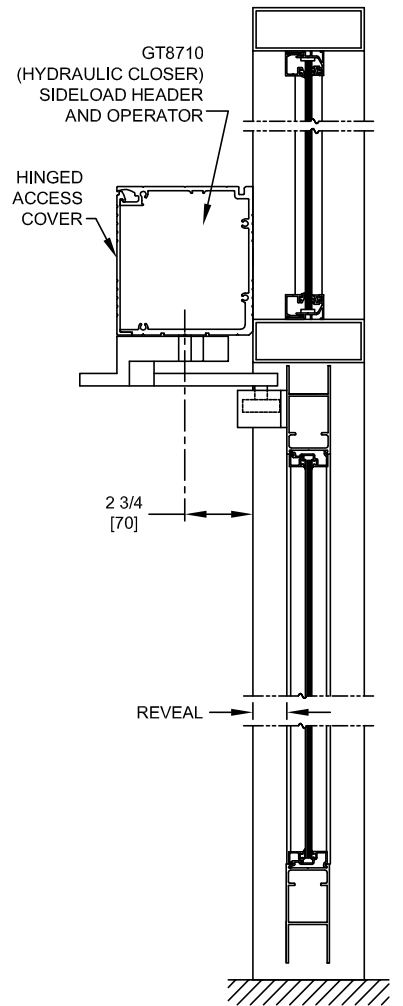
NABCO Entrances Inc.
 S82 W18717 Gemini Drive Muskego, WI 53150
 www.nabcoentrances.com 1-877-622-2694

JOB NAME: _____
 LOCATION: _____
 DISTRIBUTOR: _____
 DOOR #: _____ DATE: _____
 SHEET _____ OF _____

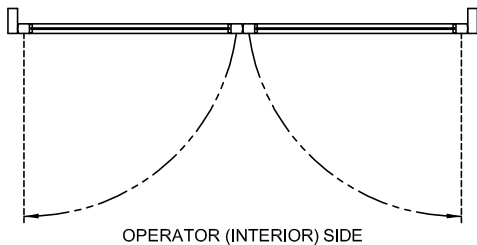
GT8710-03OPL
 OPMAN LEFT HAND
 PAIR
 INSWING



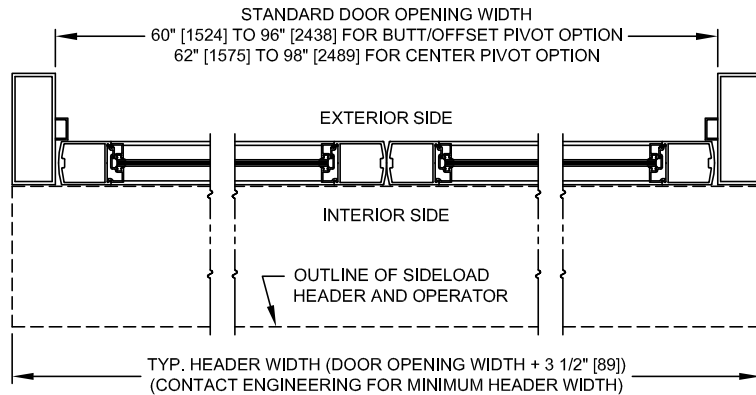
VERTICAL SECTION
 BUTT/OFFSET PIVOT OPTION



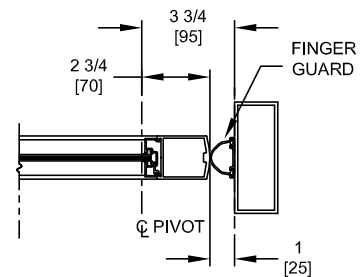
VERTICAL SECTION
 CENTER PIVOT OPTION



OPERATOR (INTERIOR) SIDE
 INTERIOR ELEVATION/PLAN



HORIZONTAL SECTION



HINGE JAMB AT CENTER
 PIVOT OPTION

LOW ENERGY

- NOTES:
1. GUIDE RAILS, MATS, PUSH PLATES AND VARIOUS ELECTRONIC DEVICES FOR THE DOOR ACTIVATION AND CONTROL ARE OPTIONAL. CONSULT WITH YOUR NABCO/GYRO TECH DISTRIBUTOR.
 2. DOORS AND FRAMES ARE NOT INCLUDED UNLESS NOTED.
 3. POWER TO HEADER WILL BE 115VAC, 5 AMP PER OPERATOR PROVIDED BY ELECTRICAL CONTRACTOR.
 4. STANDARD HARDWARE SUPPLIED WILL ACCOMMODATE DOOR THICKNESS OF 1 3/4" TO 2 1/4".
 5. APPLICATION ON BALANCE DOORS REQUIRES RELOCATION OF THE OPERATOR PIVOT.
 6. OPMAN IS MANUAL OPERATOR ON THE LEFT HAND INSWING DOOR AND AN AUTOMATIC OPERATOR ON THE RIGHT HAND INSWING DOOR