



TECHNICAL BULLETIN

S82 W18717 Gemini Drive
Muskego, WI, 53150
Phone: (877) 622-2694, Fax: (888) 679-3319
www.NABCOEntrances.com

Date: August 10, 2020

Who is the contact?
Technical Support Department

Changes to Swing Header Mounting Hardware




Optional Sideload Mounting Bracket Kits

Effective immediately, the optional sideload mounting brackets kits used to assist in mounting a surface applied sideload header will no longer ship with mounting hardware. (screws, rivnuts). Given that different locations and substrates require different hardware, these parts seldom get used.

The brackets will now be offered under new part numbers:

- A-60014** 1-1/2" Pc., 204 (clear finish), 2 Brackets Per Package
- A-70014** 1-1/2" Pc., 313 (bronze finish), 2 Brackets Per Package
- M-60886** Full Length, 204 (clear) 1 Bracket Per Package
- M-70886** Full Length, 313 (Bronze) 1 Bracket Per Package

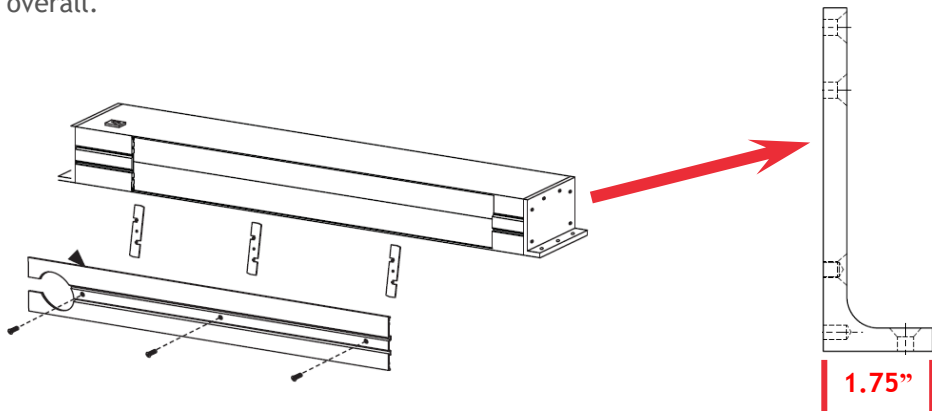
The mounting hardware can still be ordered separately if needed:

- T-00139 HHCS, 1/4-20x1L. 
- T-00294 FHMS, 1/4-20x1L. 
- T-00048 RIVNUT, 1/4-20, .027-.165 GRIP RANGE 



Width Change to Bottom Load Conversion Unit (C.U.) Header Mounting Tab

This change affects GT400 and GT500 Swinger models only.
See below: the end bracket dimension has changed at the wall mounting surface as shown. The width of the bracket used to be 1.5". It is now 1.75". This means the overall header length with these brackets increases by 0.5" overall.



Bracket part numbers:
A-60733 204 (clear)
A-70733 313 (bronze)

Bulletin Number: **108**