



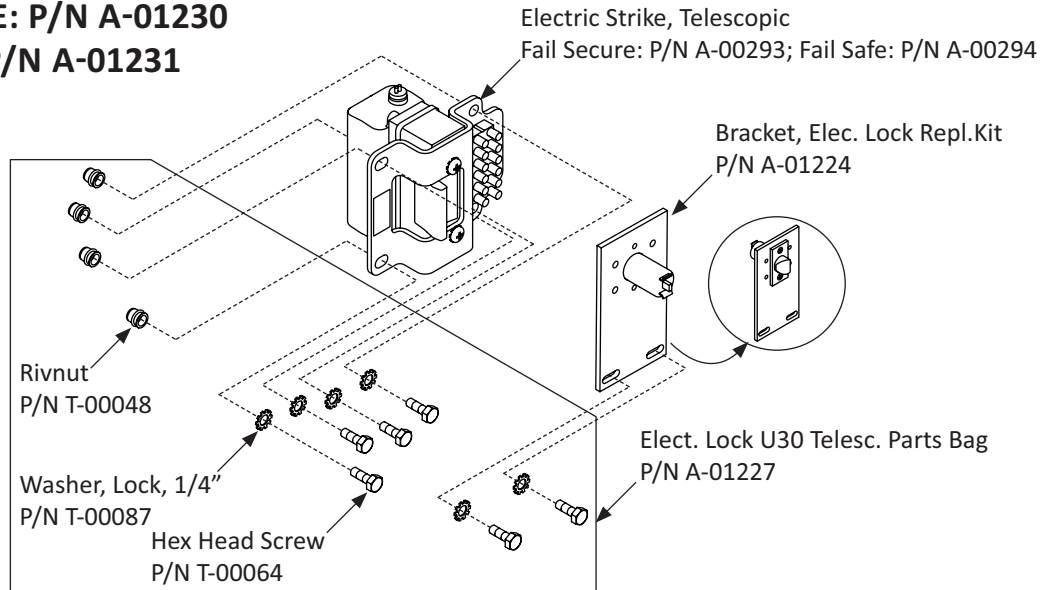
GT1175 Telescopic U-30 Electric Lock

Instruction Sheet

P/N C-00337 Rev 3-12-19

Nabco Entrances Inc. S82 W18717 Gemini Drive Muskego, Wisconsin 53150
 Phone: (877) 622-2694 Fax: (888) 679-3319 www.nabcoentrances.com
 NABCO hours of Operation: Monday to Friday 8:00 a.m.- 4:30 p.m. (Central Time)

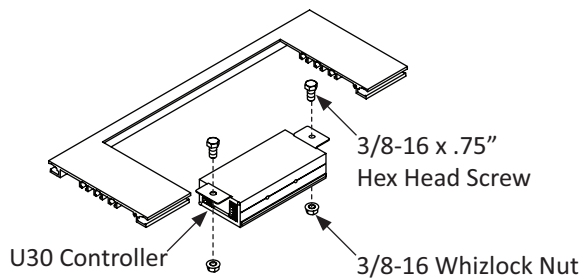
SERVICE PARTS: KIT
U30 FAIL SECURE: P/N A-01230
U30 FAIL SAFE: P/N A-01231



DN 1969

CHAPTER 1: REPOSITION THE U30 CONTROLLER

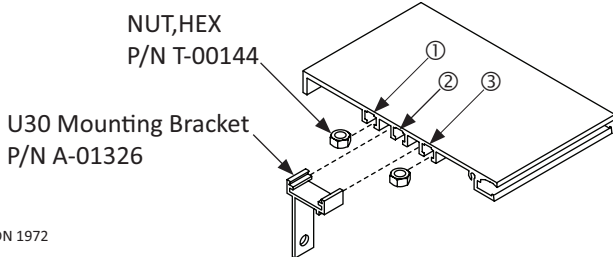
1. Remove the U30 Microprocessor Controller from inside the Header.
2. Drill a hole in the Channels, or cut part of the Channels out to remove (2) 3/8-16x.75" Hex Head Screws.
 - a. Save the (2) 3/8-16 Whizlock Nuts, and (2) 3/8-16x.75" Hex Head Screws for reinstallation.



DN 1974

Figure 1 Remove the U30 Controller

3. Insert (2) 5/16-18 x.75 Hex Nuts inside Channel 1 and Channel 3. Insert the U30 Mounting Bracket in both sides of Channel 2.
4. Loosely secure the U30 Mounting Bracket with (2) Ring Stops, and (2) 5/16-18 x .75" Socket Head Screws.



DN 1972

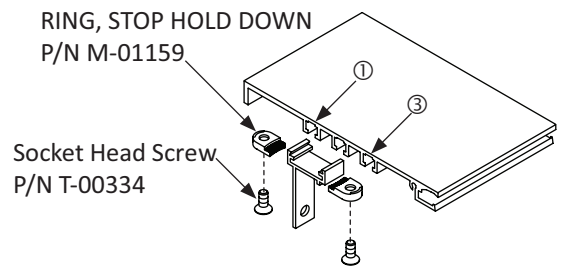


Figure 2 Install the U30 Mounting Brackets

5. Align the screw holes (located on the U30 Controller) to the screw holes (located on the U30 Mounting Bracket).
6. Tighten the 5/16-18 x .75" Socket Head Screws used to secure the U30 Mounting Brackets to the Header.
7. Secure the U30 Controller to the U30 Mounting Brackets with (2) 3/8-16 Whizlock Nuts, and (2) 3/8-16x.75" Hex Head Screws that were saved for reinstallation.

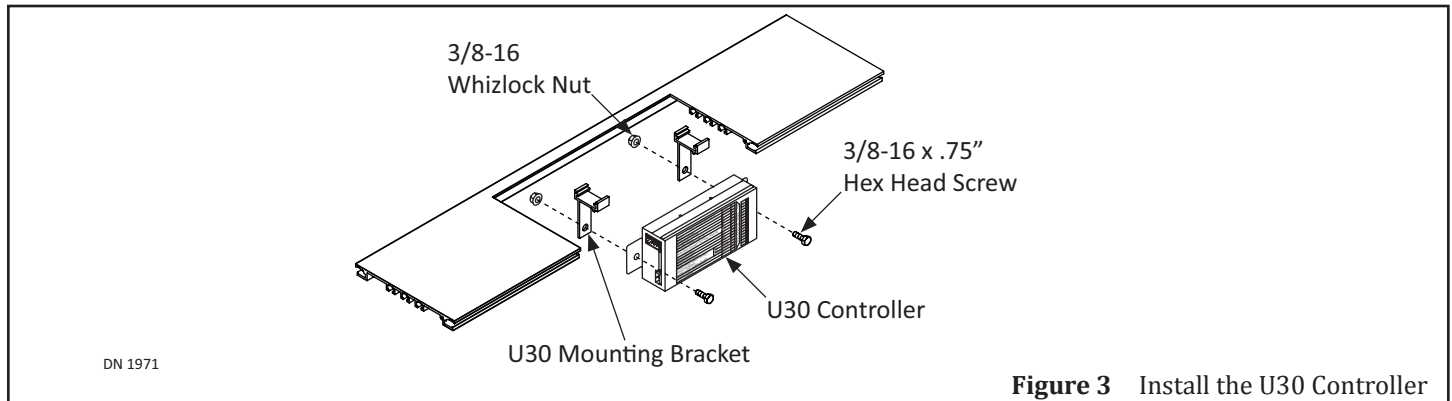


Figure 3 Install the U30 Controller

CHAPTER 2: INSTALL THE ELECTRIC LOCK

1. Replace the existing Belt Clip with the Electric Lock Belt Clip.
 - a. Use the same hardware from the existing Belt Clip.

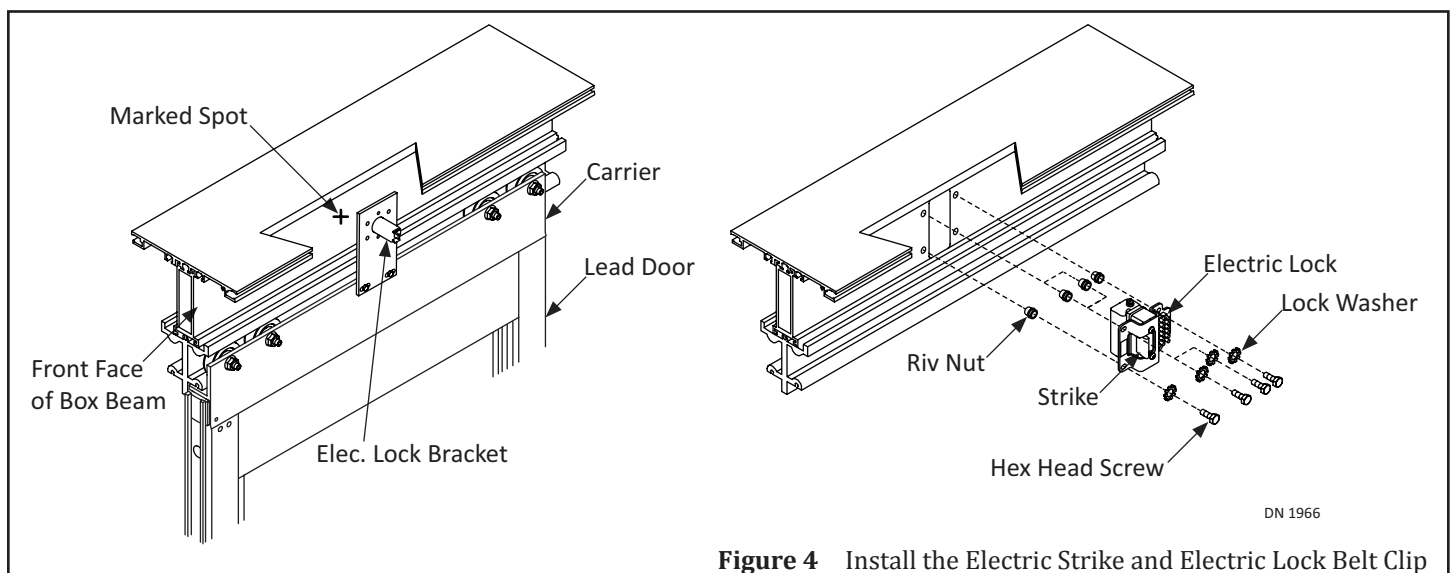
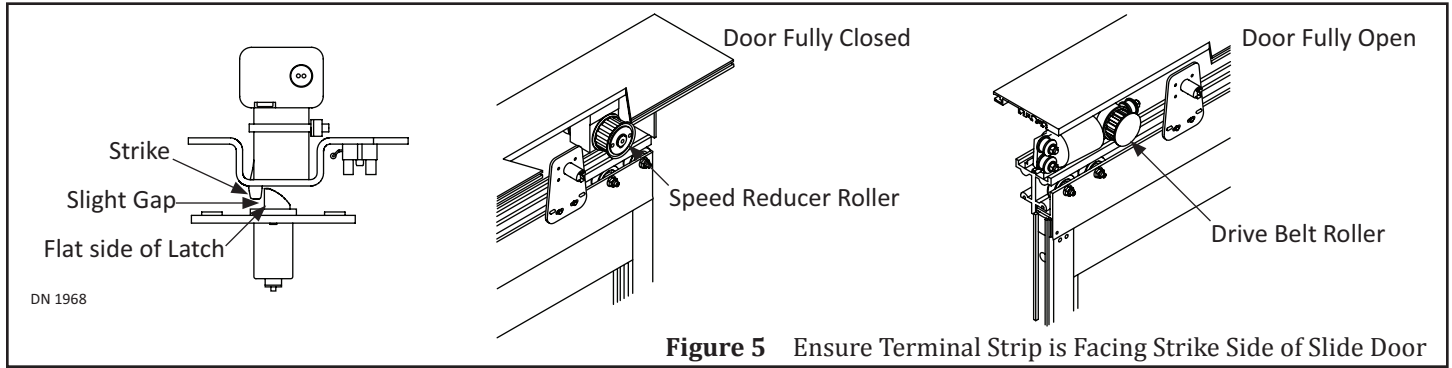


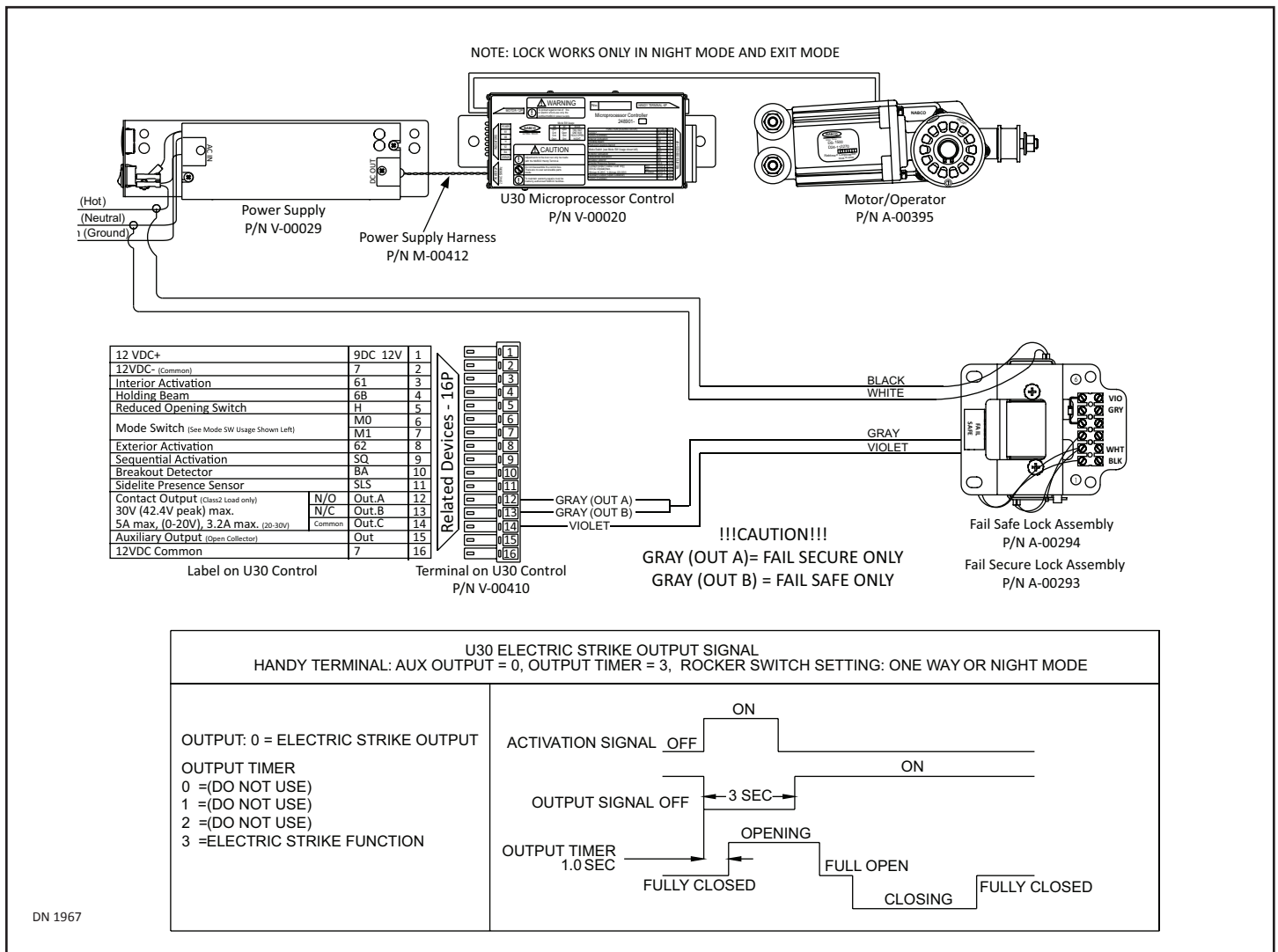
Figure 4 Install the Electric Strike and Electric Lock Belt Clip

1. Fully Close the Lead Door. Go to the Latch located on the Electric Lock Belt Clip.
2. Align the Center of the Latch to the front face of the Box Beam. Mark that spot.
3. Mark and drill out (1) Retangle and (4) Rivnut Holes onto the front face of the Box Beam according to the Template located in CHAPTER 4 on page 4.
4. Insert (1) 1/4-20 Rivnut into each Rivnut hole.
5. Insert the Electric Lock into the Cutout.
6. Ensure the Flat side of Latch faces the Strike on the Electric Lock.
7. Loosely secure the Electric Strike to the Box Beam with (4) 1/4-20 x 1" Screws and 1/4" Lock Washers.



8. Fully close the Slide door.
 - a. A slight gap must exist between the Latch and the Strike.
 - b. Ensure the Belt Clip does not hit the Speed Reducer Roller.
9. Fully Open the Slide Door. Ensure the Belt Clip does not hit the Drive Belt Roller.
10. Make adjustments if deemed necessary.

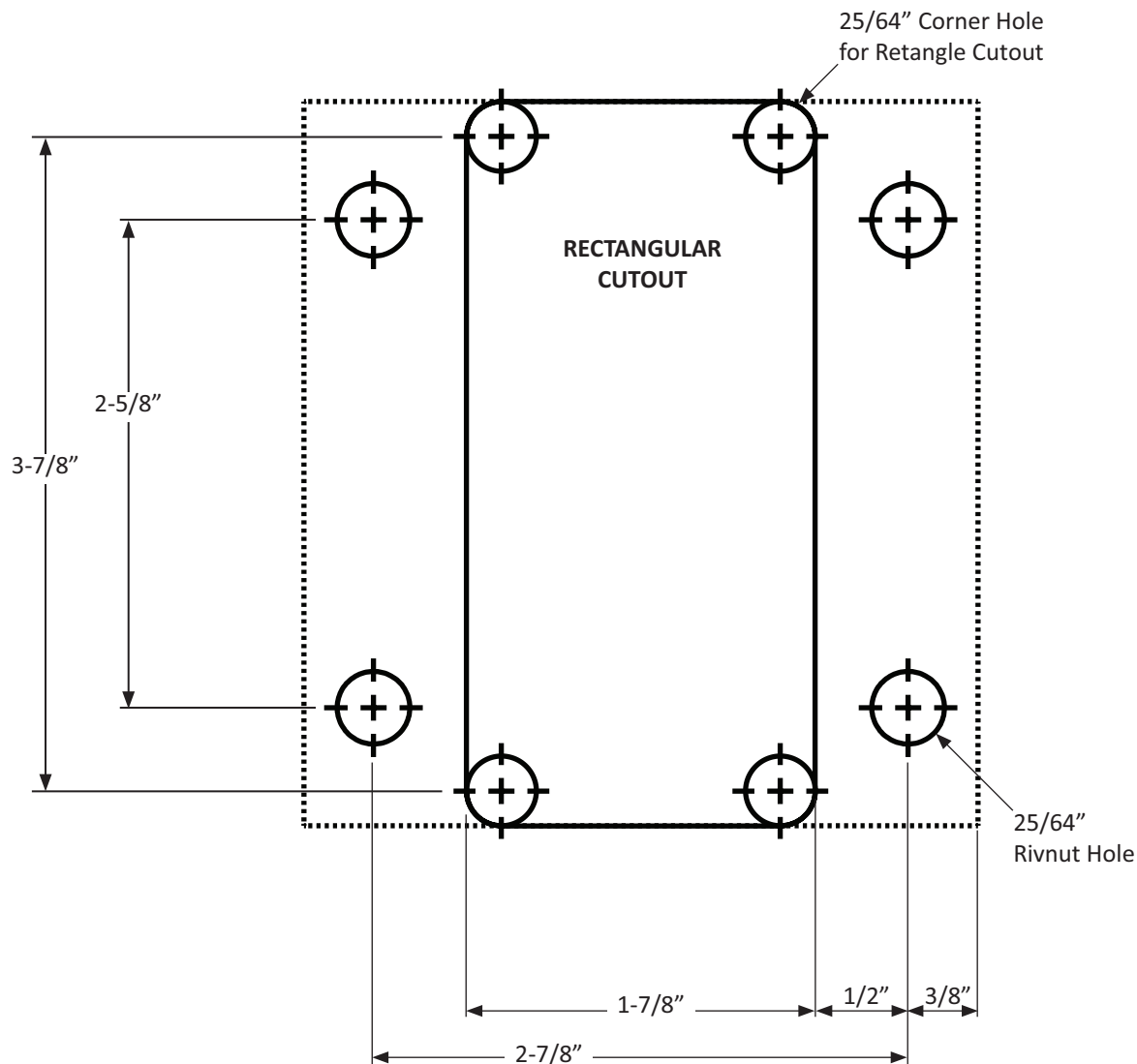
CHAPTER 3: GENERAL WIRING



CHAPTER 4: ELECTRIC STRIKE TEMPLATE

!!!VERIFY DIMENSIONS BEFORE USING TEMPLATE!!!

SCALE PATTERN



1. Center the template to the marked spot, and tape to the front face of Box Beam.
2. Center Punch on each Center Mark.
3. Go to the Rectangular Cutout. Drill (1) 25/64" diameter hole through each Center mark all the way through both walls of the Box Beam.
4. Go to the outside holes of the Retangular Cutout. Drill (1) 25/64" hole through each Center mark through (1) wall only. DO NOT drill through both walls.

DN 1965