

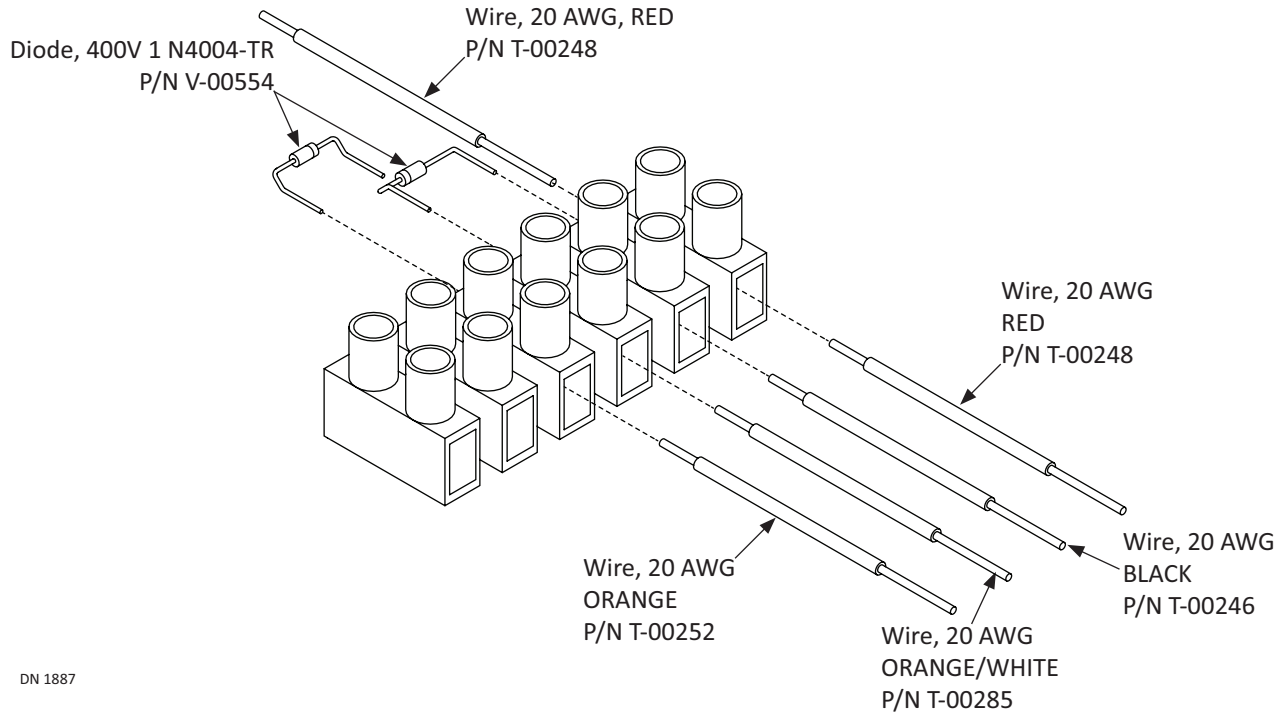


## Harness; Card Reader Activation Instruction Sheet

P/N C-00333 Rev 3-19-18

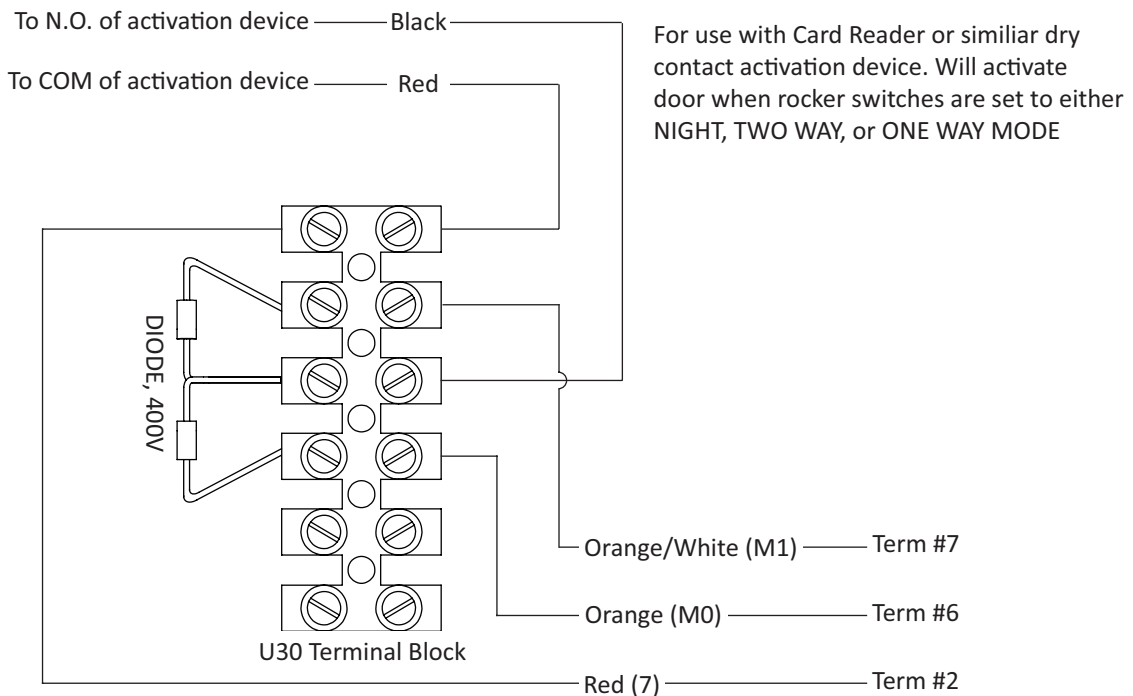
Nabco Entrances Inc. S82 W18717 Gemini Drive Muskego, Wisconsin 53150  
 Phone: (877) 622-2694 Fax: (888) 679-3319 www.nabcoentrances.com  
 NABCO hours of Operation: Monday to Friday 8:00 a.m.- 4:30 p.m. (Central Time)

### SERVICE PARTS: KIT P/N A-01043



DN 1887

### CHAPTER 1: WIRING



DN 1986