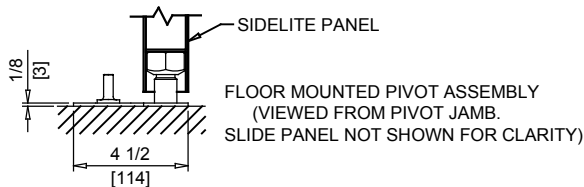
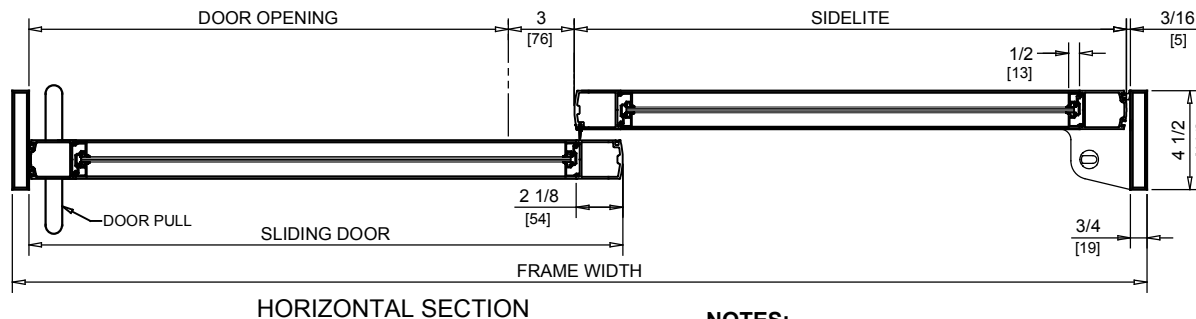
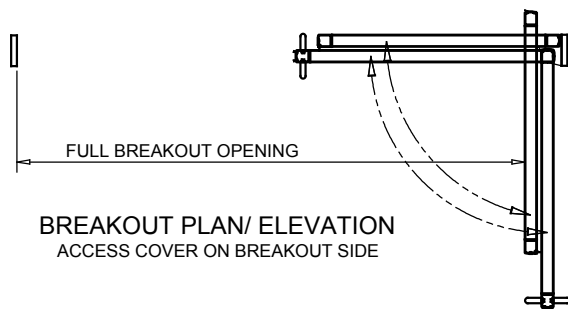
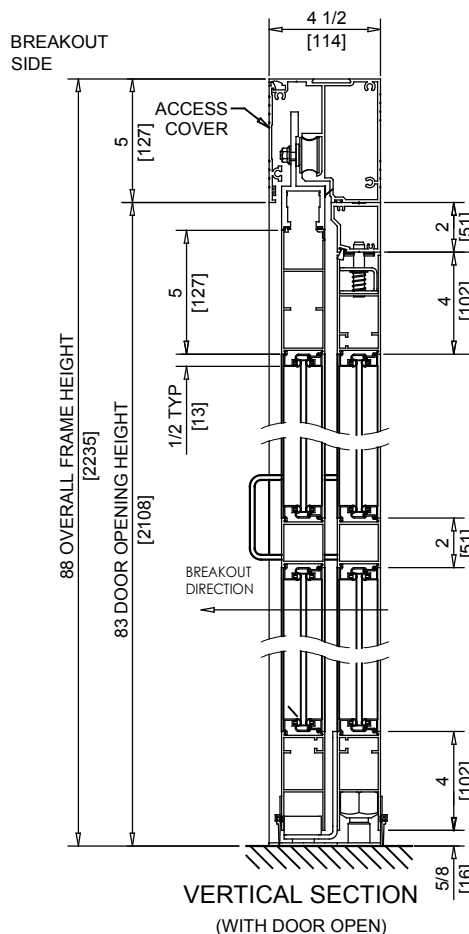
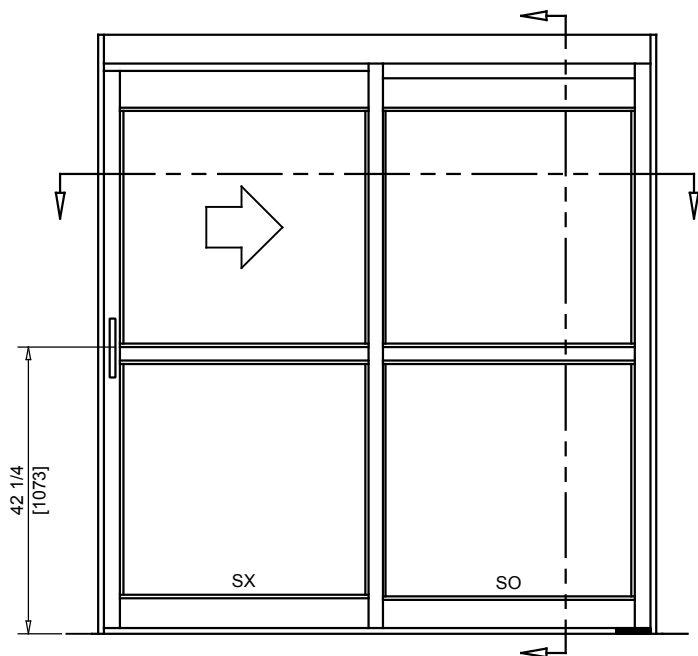




JOB NAME: _____
 LOCATION: _____
 DISTRIBUTOR: _____
 DOOR #: _____ DATE: _____
 SHEET _____ OF _____

GT2400R
 SINGLE SLIDE
 RIGHT HAND
 FULL OPEN
 TRACKLESS

NABCO Entrances Inc.
 S82 W18717 Gemini Drive Muskego, WI 53150
 www.nabcoentrances.com 1-877-622-2694



NOTES:

NO FLOOR TRACK TO INTERFERE WITH TRAFFIC.
 BREAKOUT ONLY FROM FULL OPEN POSITION.
 UNITS ARE HANDED FROM BREAKOUT SIDE.
 ROUGH OPENING EQUALS FRAME WIDTH + 1/2" AND FRAME HEIGHT + 1/4".
 SELF SUPPORTING, NOT OVERHEAD STRUCTURAL ANCHORING REQUIRED

STANDARD PACKAGE :

- STANDARD FINISH (204 CLEAR OR 313 DARK BRONZE ANODIZED)
- NARROW STILES (2 1/8")
- 1/2" TALL GLASS STOPS FOR 1/4" GLASS
- 2" MUNTIN 42 1/4" FROM FINISHED FLOOR
- 4" BOTTOM RAILS
- 3/4" X 4 1/2" JAMBS
- VINYL WEATHERING

AVAILABLE OPTIONS

- SPECIAL FINISHES
- MEDIUM STILES (4") *
- ALTERNATIVE GLASS SIZES UP TO 1" THICK
- NO MUNTIN AND LARGER SIZE MUNTINS AVAILABLE
- 6 1/2" & 10" BOTTOM RAILS
- 1 3/4" X 4 1/2" SLICK AND POCKETED JAMBS *
- TRANSOM WITH 0 OR 1 VERTICAL
- SMOKE RATING PACKAGE COMPLIANT WITH UL1784 & NFPA 105

FRAME WIDTH	DOOR OPENING	FULL BREAKOUT OPENING	DOOR PANEL	SIDELITE PANEL
84" [2134]	38.15" [969]	77.625" [1972]	43.375" [1102]	41" [1041]
96" [2438]	44.15" [1121]	89.625" [2276]	49.375" [1254]	47" [1194]
102" [2591]	47.15" [1198]	95.625" [2429]	52.375" [1330]	50" [1270]
108" [2743]	50.15" [1274]	101.625" [2581]	55.375" [1407]	53" [1346]

* THESE OPTIONS WILL REDUCE THE CLEAR DOOR OPENING