



GT2100 Full Open, no Track, Manual, Telescopic, Slide Door Installation Manual

P/N C-00096 Rev 1-22-19

Nabco Entrances Inc. S82 W18717 Gemini Drive Muskego, Wisconsin 53150
Phone: (877) 622-2694 Fax: (888) 679-3319 www.nabcoentrances.com
NABCO hours of Operation: Monday to Friday 8:00 a.m.- 4:30 p.m. (Central Time)

*Associated Manuals Part Numbers: Manual Sliding Door Owner’s Manual (P/N C-00189) for Decal Installation
NABCO Price Book” for Sensors, Switches, and Accessories (P/N 16-9244-30)*

Table of Contents

- CHAPTER 1: WARNING LABELS 3**
- CHAPTER 2: GENERAL SAFETY RECOMMENDATIONS 3**
- CHAPTER 3: SCOPE 3**
 - SECTION 3.1: TO THE INSTALLER 3
 - SECTION 3.2: OBJECTIVE. 4
- CHAPTER 4: GETTING STARTED. 4**
 - SECTION 4.1: TYPE OF UNIT 4
 - SECTION 4.2: INSPECT THE ROUGH OPENING. 4
- CHAPTER 5: ASSEMBLE DOOR FRAME 4**
- CHAPTER 6: INSTALL THE DOOR FRAME 6**
 - SECTION 6.1: PREPARE DOOR FRAME 6
 - SECTION 6.2: SECURE DOOR FRAME TO BUILDING 6
- CHAPTER 7: INSTALL FULL OPEN SIDELITE 7**
 - SECTION 7.1: INSTALL THE BOTTOM PIVOT. 7
 - SECTION 7.2: INSERT PIVOT PINS INTO PIVOTS 7
 - SECTION 7.3: ADJUST DOOR HEIGHT 8
 - SECTION 7.4: PREPARE THE HEADER FOR THE FLUSH BOLT 8
 - SECTION 7.5: INSTALL THE BOTTOM GUIDE 9
- CHAPTER 8: REVERSE HANGER ROLLERS ON CARRIERS 9**
- CHAPTER 9: INSTALL THE TRAIL DOOR 10**
 - SECTION 9.1: LIFT THE TRAIL DOOR ONTO THE ROLLER TRACK. 10
 - SECTION 9.2: ADJUST TRAIL DOOR HEIGHT 10
- CHAPTER 10: INSTALL THE LEAD DOOR 11**
 - SECTION 10.1: LIFT THE LEAD DOOR ONTO THE ROLLER TRACK 11
 - SECTION 10.2: ADJUST LEAD DOOR HEIGHT 11
- CHAPTER 11: INSTALL WEATHERING 12**

CHAPTER 12: GLAZING	13
SECTION 12.1: DOOR PANEL	13
SECTION 12.2: CROSS BLOCKING	13
CHAPTER 13: ADJUSTMENTS	14
SECTION 13.1: ADJUST THE NOSE CASTER	14
SECTION 13.2: CORRECT PRELOAD MISALIGNMENT	14
SERVICE PARTS: KIT	15
SERVICE PARTS: HEADER	16
SERVICE PARTS: FULL OPEN SIDELITE	17
SERVICE PARTS: RIGHT HAND FULL OPEN SIDELITE	18
SERVICE PARTS: LEFT HAND FULL OPEN SIDELITE	19
SERVICE PARTS: TRAIL DOOR	22
SERVICE PARTS: RIGHT HAND TRAIL DOOR	23
SERVICE PARTS: LEFT HAND TRAIL DOOR	24
SERVICE PARTS: LEAD DOOR	27
SERVICE PARTS: RIGHT HAND LEAD DOOR	28
SERVICE PARTS: LEFT HAND LEAD DOOR	29

CHAPTER 1: WARNING LABELS

Warning labels are universal and used to alert an individual of potential harm to one's self or to others. The following warning labels are listed in a hierarchy order that defines the most potential danger first, and the least potential danger last. Please refer to this page in the event that a warning label is displayed within this manual and further definition needs to be explained.

DANGER

Indicates potentially dangerous situations. Danger is used when there is a hazardous situation where there is a *high* probability of severe injury or death. It should not be considered for property damage unless personal injury risk is present.

WARNING

Indicates a hazardous situation which has *some* probability of severe injury. It should not be considered for property damage unless personal injury risk is present.

CAUTION

Indicates a hazardous situation which *may result in a minor injury*. Caution should not be used when there is a possibility of serious injury. Caution should not be considered for property damage accidents unless a personal injury risk is present.

Attention: A situation where material could be damaged or the function impaired.

Notice: Indicates a statement of company policy as the message relates to the personal safety or protection of property. Notice should not be used when there is a hazardous situation or personal risk.

Note: Indicates important information that provides further instruction.

CHAPTER 2: GENERAL SAFETY RECOMMENDATIONS

WARNING

Do not install, operate or service this product unless you have read and understand the General Safety Recommendations, Warning Labels, contained in this manual. Failure to do so may result in bodily injury, or property damage.

WARNING

Read, study and understand the installation and operating instructions contained in, or referenced in this manual before operating. If you do not understand the instruction, ask a qualified technician. Failure to do so may result in bodily injury, or property damage and will nullify all warranties.

CAUTION

If the door appears broken or does not seem to work correctly, it should be immediately removed from service until repairs can be carried out or a qualified service technician is contacted for corrective action.

Notice: This manual, the owner's manual and all other associated manuals must be given to and retained by the purchasing facility or end user.

CHAPTER 3: SCOPE

SECTION 3.1: To the Installer

The purpose of this manual is to familiarize the installer and purchaser with the proper installation and operation of this system. It is essential that this equipment be properly installed and operational before the door is used by the public. In the United States ANSI Standard Z97.1 covers Glass Installation. It is the installer's responsibility to inspect the operation of the entrance system to be sure it complies with any applicable standards.

Instruct the building owners and operator on the essentials of the operation of the door and this device. The owner should follow these instructions to determine whether the door is operating properly and should immediately call for service if there is any malfunction. All installation changes and adjustments must be made by qualified, NABCO trained technicians.

Note: As an Option, the GT-2100 Manual Slide door can be certified to have a Smoke and Air Infiltration NFPA-105 rating for sprinklered buildings (in the United States only).

SECTION 3.2: Objective

The GT-2100 is designed to be installed within a rough opening of a building. The door functions to manually open and manually close with a full breakout feature. This manual offers step by step instructions.

CAUTION

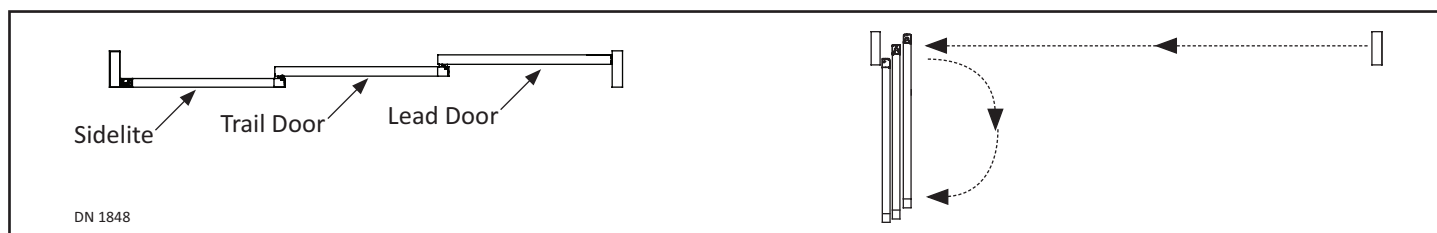
A pedestrian Door that does not have its glass sections installed at the Factory shall specify that the glazing material employed is to comply with the requirement in UL 325 par.30.5.1:

“The glazing material in both fixed and sliding panels of all sliding doors and in all unframed swinging doors shall comply with the requirements in the Performance Specifications and Methods of Test for Safety Glazing Material Used in Buildings, ANSI Z97.1. Glazing material for other pedestrian doors shall also comply with ANSI Z97.1, except that single strength or heavier glass may be used for those portions of doors involving a glazed area of less than 1ft² (0.9 m²) and having no dimension greater than 18 in (457 mm)”.

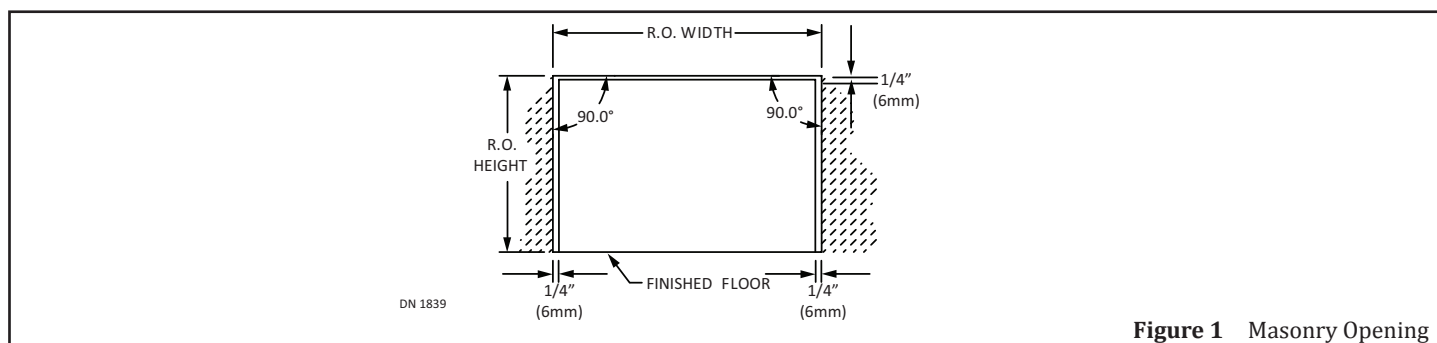
CHAPTER 4: GETTING STARTED

SECTION 4.1: Type of Unit

- ▶ Mechanical Configuration: (1) Sidelite and (2) Slide Doors that manually open and close, to the right or left.
- ▶ Emergency Egress: Both Slide doors and Sidelite breakout for emergency egress.
- ▶ Maximum Door Weight Limit: 135 pounds



SECTION 4.2: Inspect the Rough Opening



1. Ensure the Rough Opening is correct size.
 - ▶ The width of the Rough Opening should equal: **PACKAGE WIDTH + 1/4 INCH ON EACH SIDE**
 - ▶ The height of the Rough Opening should equal: **PACKAGE HEIGHT + 1/4 INCH**

Note: Make allowances for tile or other existing materials that may change the floor height.

CHAPTER 5: ASSEMBLE DOOR FRAME

1. Place the Header on a flat surface with the removable cover facing up. Protect Header from scratches.
2. Position Jamb tubes on either side of Header according to the instruction sticker located on each Jamb Tube that shows proper location and orientation.
3. Position Header so the Removable Cover faces the Non-Breakout side of the opening.

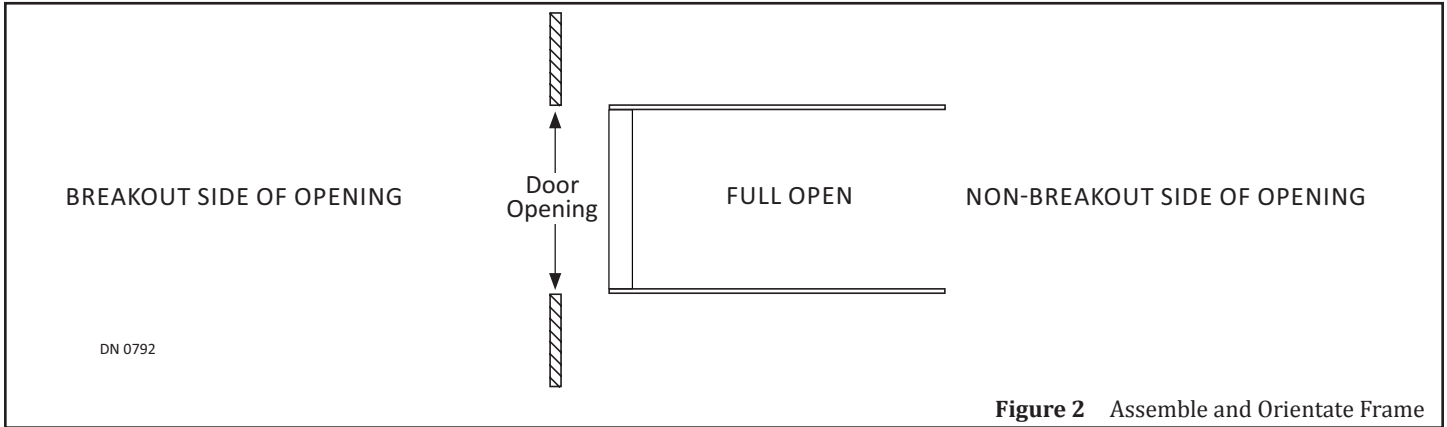


Figure 2 Assemble and Orientate Frame

4. Go to the bottom of Header, remove (2) #8-32 x 5/8" Phillips Head screws used to secure the Removable Cover.
5. Remove the Removable Cover by lifting it up and then pulling it out.

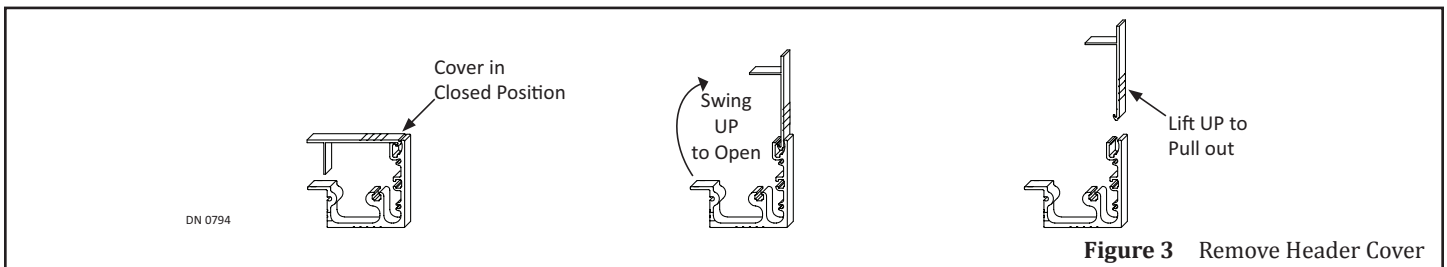


Figure 3 Remove Header Cover

6. Go to the Roller Track for the Lead door. With a #2 Phillips Screwdriver, loosen (1) 1/4-20 x 1/2 inch Phillips Head screw used to secure (3) Rail Clamps.
 - a. Do not remove screws from the Rail Clamps. Loosen only.
7. Turn the Rail Clamps to the side.
8. Remove the Roller Track for the Lead door. Save for reinstallation.

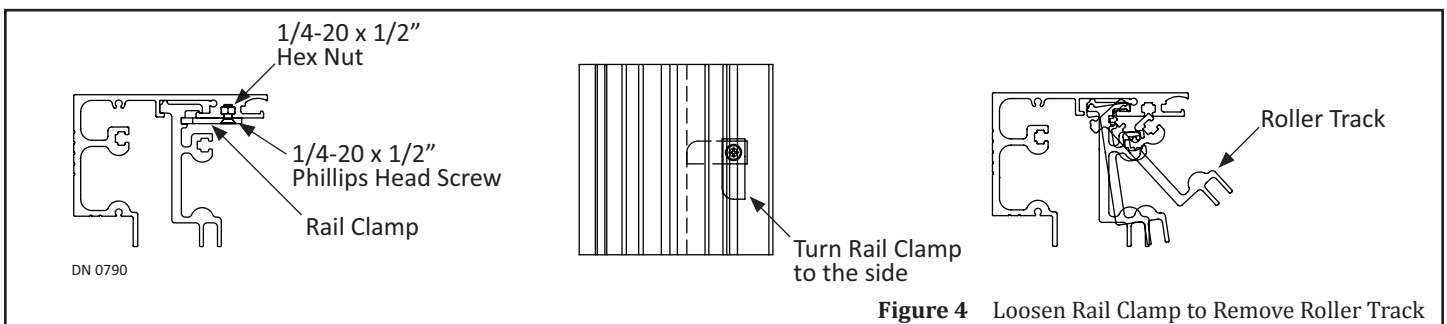


Figure 4 Loosen Rail Clamp to Remove Roller Track

9. Measure to ensure that each Jamb Tube is on the correct side of the Header.
 - ▶ 3/8 inch gap between the back of Header and Jamb Tube.
 - ▶ 1/4 inch gap between the front of Header and Jamb Tube.

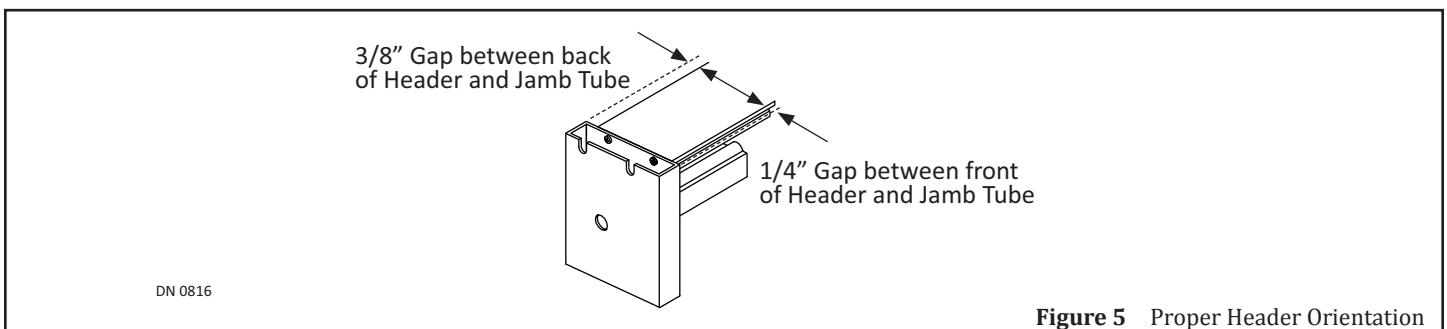


Figure 5 Proper Header Orientation

- Secure Header to each Jamb Tube with (3) 1/4-20 x 3/4 inch Phillips head, self tapping screws.

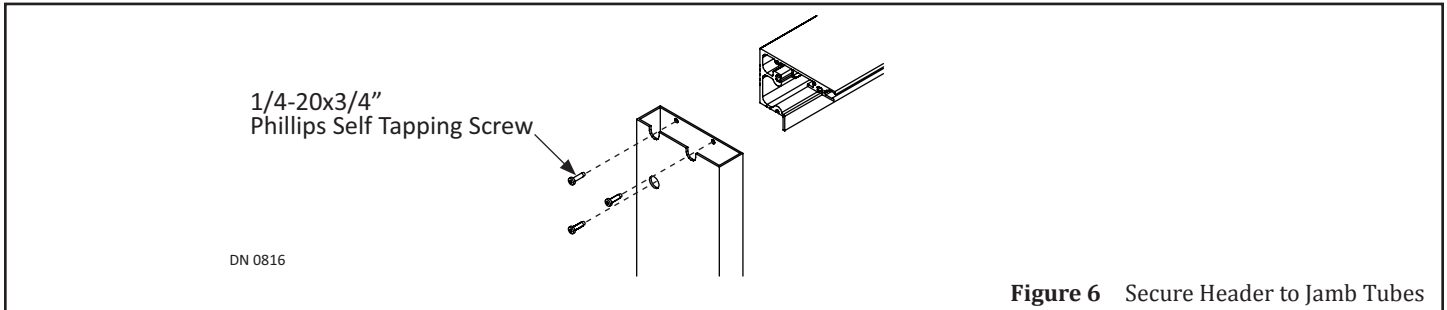


Figure 6 Secure Header to Jamb Tubes

CHAPTER 6: INSTALL THE DOOR FRAME

SECTION 6.1: Prepare Door Frame

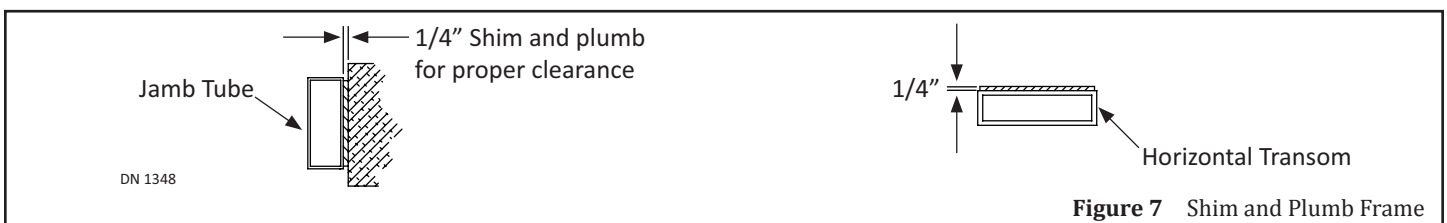


Figure 7 Shim and Plumb Frame

- Shim and Plumb Jamb Tubes in both planes to ensure the rough opening allows a 1/4 inch clearance.
- Shim and plumb the Transom Horizontal at the top to ensure the rough opening allows a 1/4 inch clearance.

SECTION 6.2: Secure Door Frame to Building

- ▶ Anchors are not provided by NABCO.
- ▶ Anchors must be appropriate for the type of structure being fastened to.
- ▶ Screw in anchors to secure the Frame (per manufacturer’s specifications).
- ▶ Ensure anchor heads do not come in contact with edges of glass to prevent breakage.
- ▶ Do not overtighten anchors to prevent deforming Jamb Tubes.

Note: It is recommended to countersink holes as required to flush the surface.

Note: It is recommended to drill tap threads for 1/4 inch anchors in a steel or aluminum structure.

Note: Do not overtighten anchors to prevent deforming Jamb Tubes.

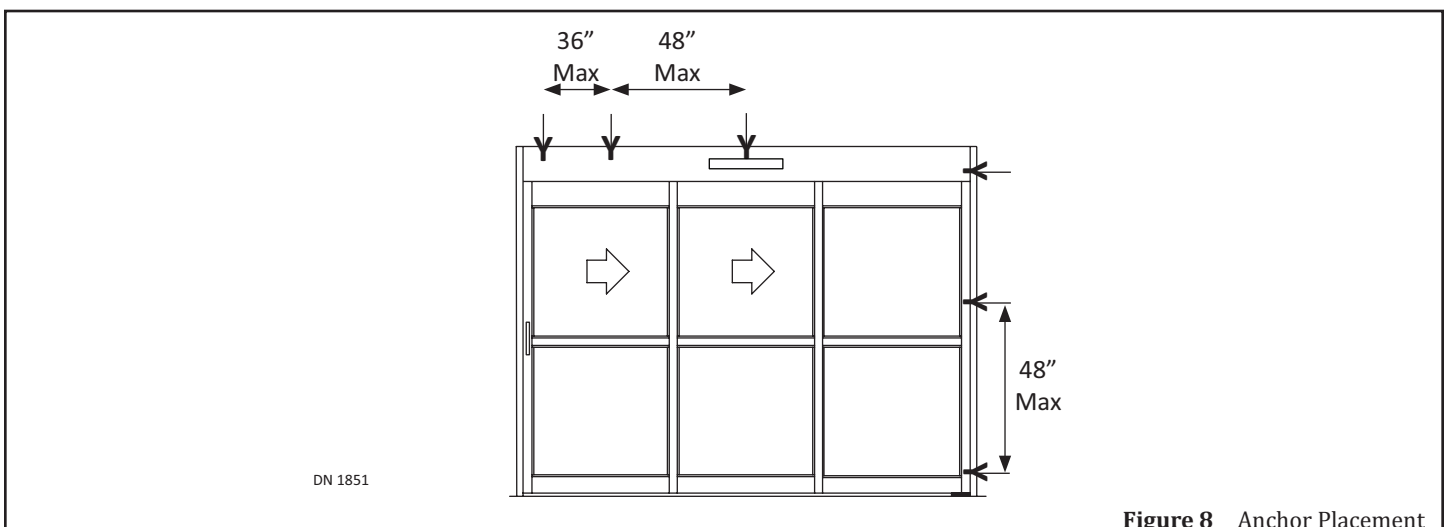


Figure 8 Anchor Placement

6.2.1 Anchor Placement for Header

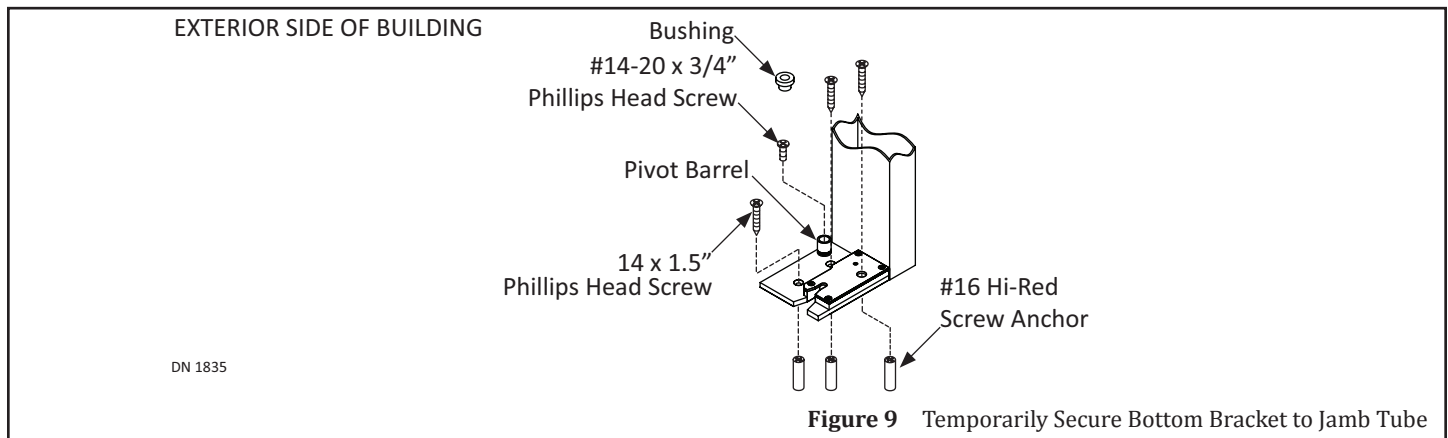
Use 1/4 inch diameter anchors, with a maximum 48 inches on center. First anchor maximum is 36 inches from each end of the Header. Anchors and Fasteners must be appropriate for the type of structure being fastened into. Anchors and Fasteners are not provided by NABCO.

6.2.2 Anchor Placement for Jamb Tube

Use 1/4 inch diameter anchors with a minimum of 3 per Jamb tube, maximum is 48 inches on center. Drill 1/4 inch diameter holes in the face of Jamb and then countersink each hole. Anchors and Fasteners must be appropriate for the type of structure being fastened into. Anchors and Fasteners are not provided by NABCO.

CHAPTER 7: INSTALL FULL OPEN SIDELITE

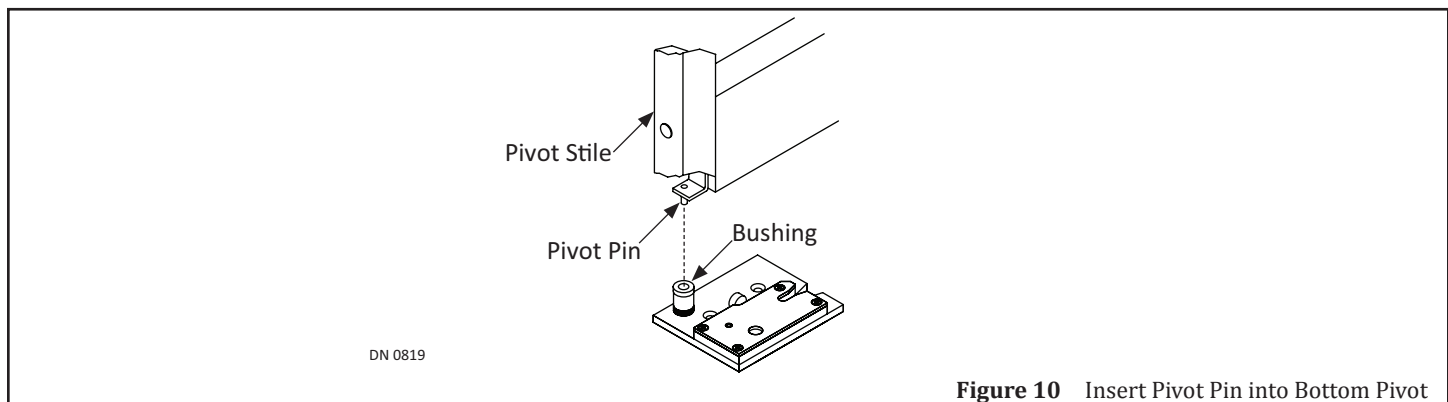
SECTION 7.1: Install the Bottom Pivot



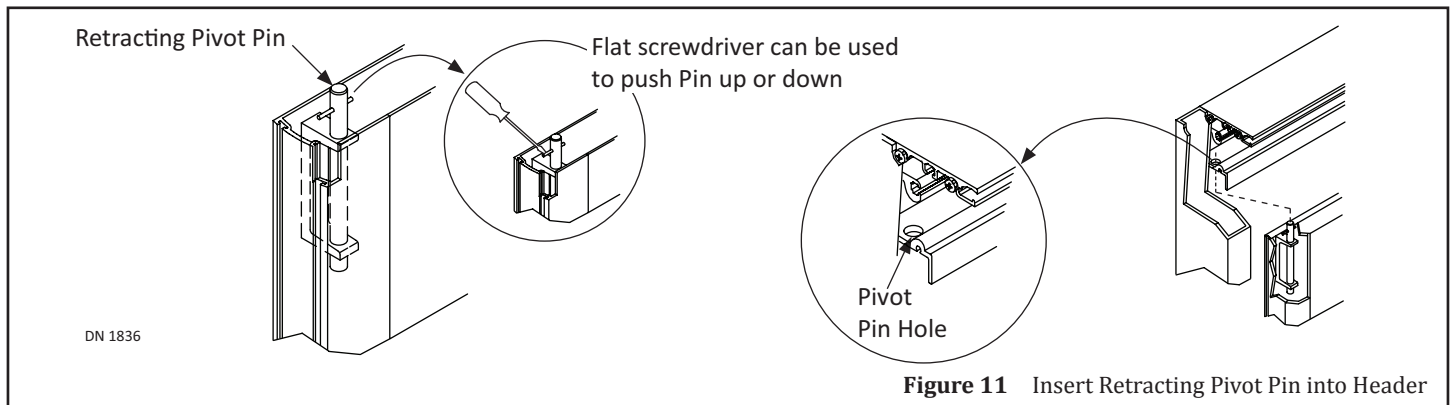
1. Ensure the Bottom Pivot Barrel is on the Exterior side of Building.
2. Center and butt the Bottom Pivot Assembly up against the Pivot Jamb Tube.
3. Use the Bottom Pivot as a template to mark (3) anchor screw holes.
4. With a Masonry drill bit, drill (3) 1/4 inch screw holes into the floor at least 1-1/2 inches deep.
5. Insert (1) #16 Hi-Red Anchor into each drilled hole.
6. Secure the Bottom Pivot to Floor with (3) #14 x 1-1/2 inch Phillips Head Screws. Cap the Bottom Pivot Barrel with (1) Bushing.

SECTION 7.2: Insert Pivot Pins into Pivots

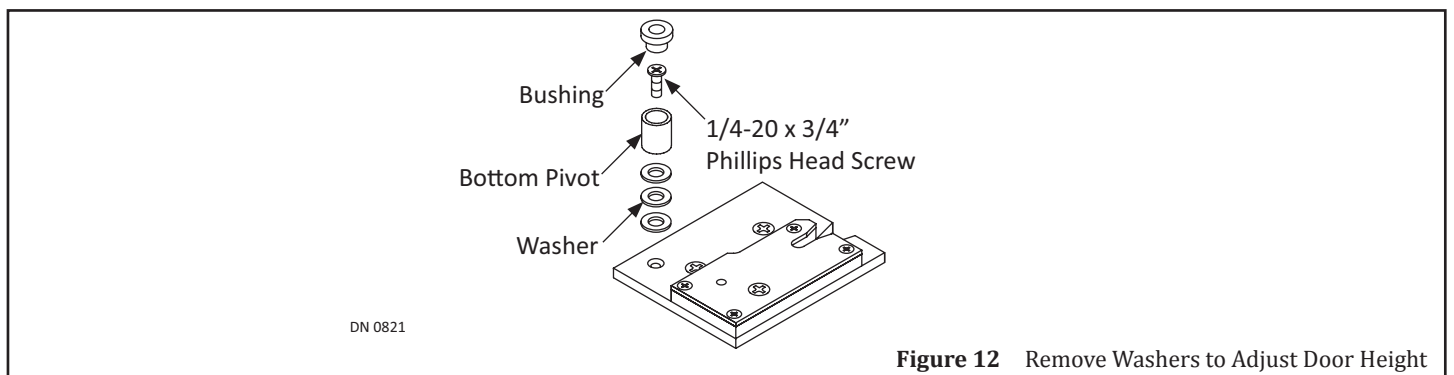
1. Go to the Pivot Pin located inside the Pivot Stile, at the bottom. Carefully insert the Pivot Pin inside Bottom Pivot Bushing.



2. Locate the Retracting Pivot Pin inside the Top Pivot Stile, and then the Pivot Pin hole at the bottom of Header.
3. Push the Retracting Pivot Pin down into the Pivot Hole, and then let go so the Pin can snap into the Pivot Hole.
 - a. Ensure the Retracting Pivot Pin fully engages the hole.
 - b. If necessary, lift up on the Retracting Pivot Pin with a screwdriver.



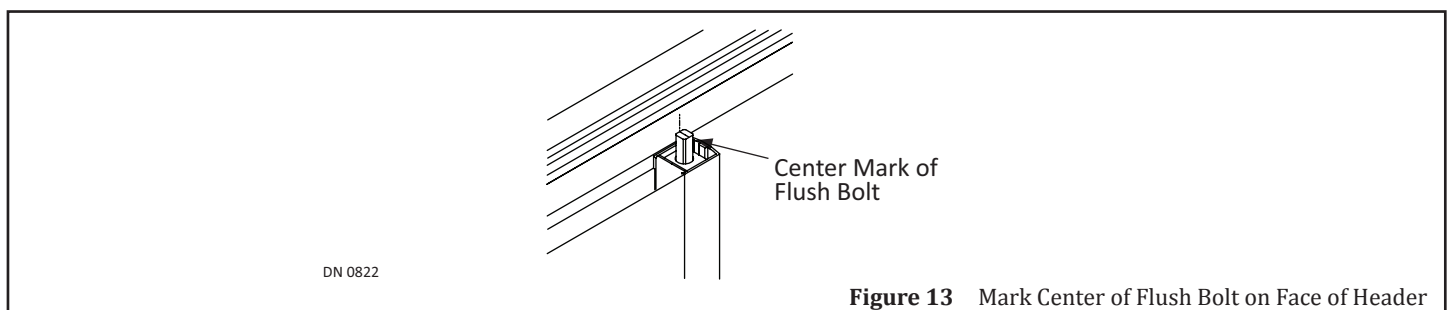
SECTION 7.3: Adjust Door Height



1. Remove the Sidelite Panel.
2. Go to the Bottom Pivot. Remove (1) Bushing, (1) 1/4-20 x 3/4 inch Philips Head Screw, and the Bottom Pivot Barrel.
3. To adjust the Door Height, add or subtract 1-3 Washers from underneath the Bottom Pivot Barrel.
4. Reinstall hardware and Sidelite Panel.

SECTION 7.4: Prepare the Header for the Flush Bolt

1. Open the Sidelite 10 - 15 degrees.
2. Go to the Strike side of Sidelite Panel. Locate and then raise the Flush Bolt so it extends past the top of door.
3. Close the Sidelite Panel until the Flush Bolt butts up against the face of Header. Locate and mark the center of the Flush Bolt.



4. Open the Sidelite Panel.
5. Extend the marked line down to the bottom, and then under the Header until the second groove, closest to the Face of Header Lip, is reached (Flush Bolt Groove).
6. Drill a 37/64 inch hole into the center of the Flush Bolt Groove.
7. Lower the Bolt. Fully close the Sidelite Panel.
8. Raise the Bolt to ensure it properly fits inside the drilled Hole.

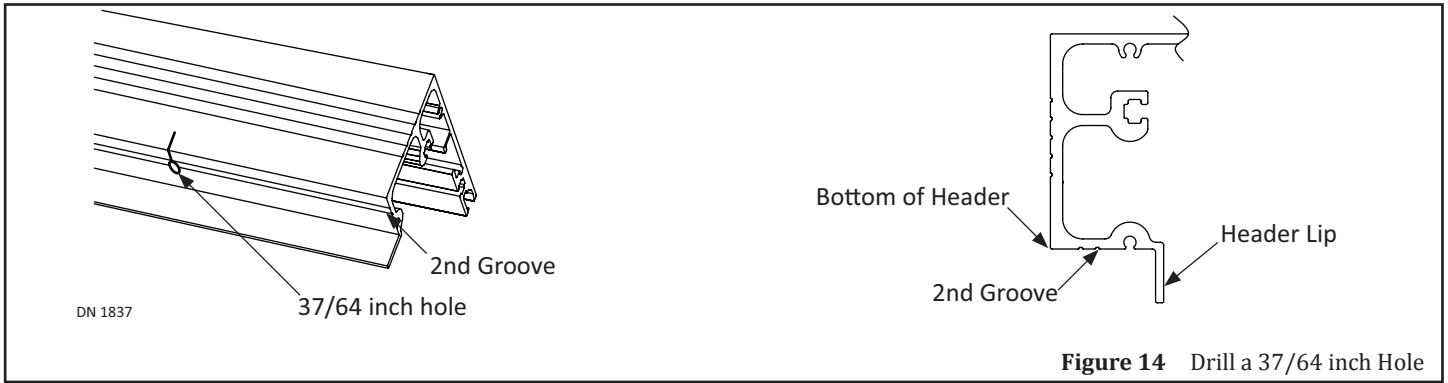


Figure 14 Drill a 37/64 inch Hole

SECTION 7.5: Install the Bottom Guide

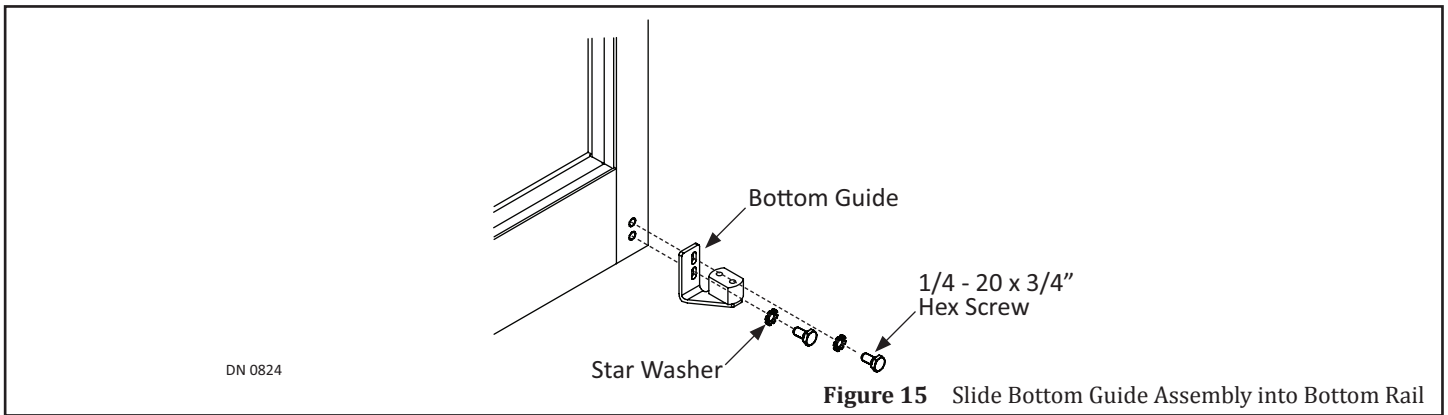
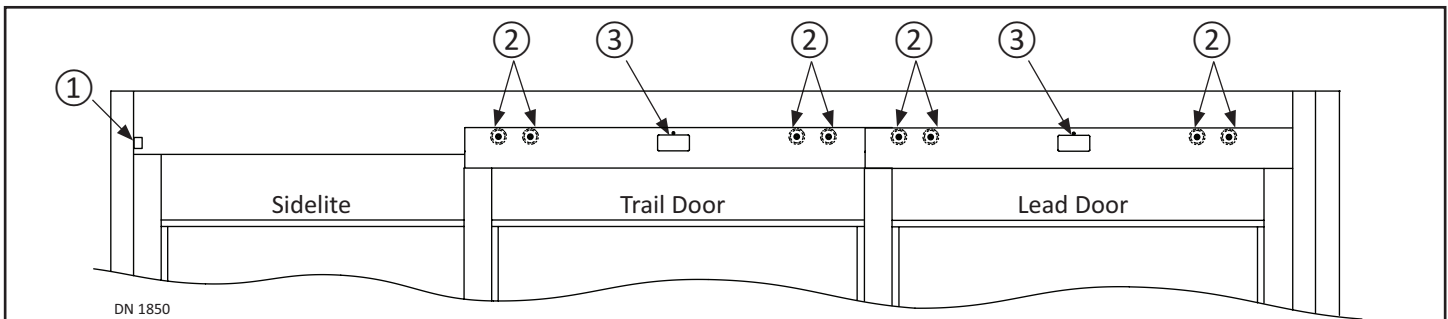


Figure 15 Slide Bottom Guide Assembly into Bottom Rail

1. Obtain (1) Bottom Guide, (2) 1/4" Star Washers, and (2) 1/4 - 20 x 3/4 inch Hex Head Cap screws.
2. Go to the Strike Stile on Sidelite Panel. Locate (2) pre-drilled screw holes at the bottom.
3. Slide (1) 1/4 inch Star Washer onto each 1/4 - 20 x 3/4 inch Hex Head Cap screw.
4. Position the Bottom Guide so it is flush with the bottom of the Sidelite.
5. Use a 7/16 inch Box Wrench to secure the Bottom Guide to the Sidelite Panel with 1/4 - 20 x 3/4 inch Hex Head Cap screws.

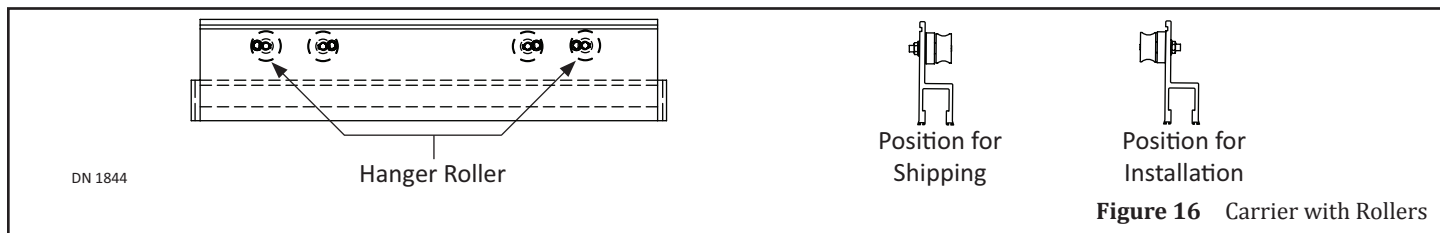
CHAPTER 8: REVERSE HANGER ROLLERS ON CARRIERS

Attention: It is the responsibility of the Installer to reverse Hanger Roller location before installing the Slide Door.



1. Door Stop
2. Hanger Roller
3. Instruction Label

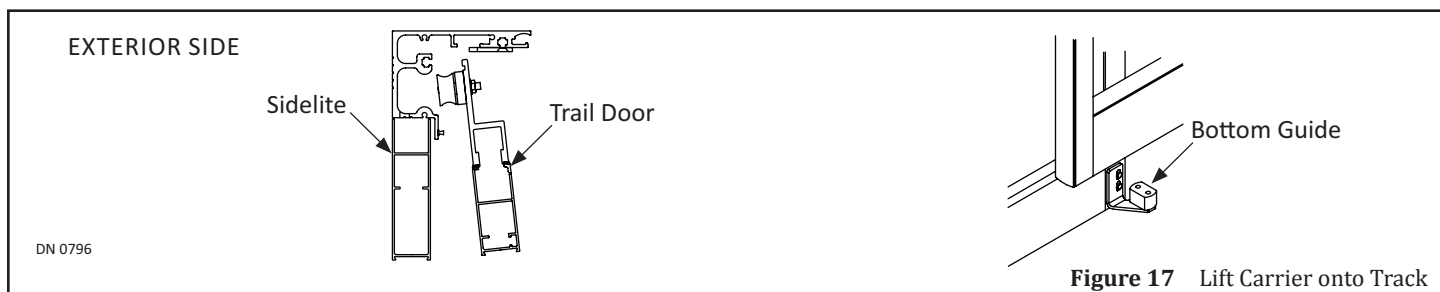
1. Go to the front side of Carrier located on Top Rail of Slide door.
2. Remove each Hanger Roller by loosening the nut with a 1/2" open end Wrench.
3. Go to the backside of Carrier. Reinstall each Hanger Roller by partially tightening each nut with a 1/2" open end Wrench.
 - a. Hanger Rollers must be loose for the Slide door to 'catch' onto the Track properly.
 - b. For detailed instruction, please refer to the Label located on the Face of Carrier.



CHAPTER 9: INSTALL THE TRAIL DOOR

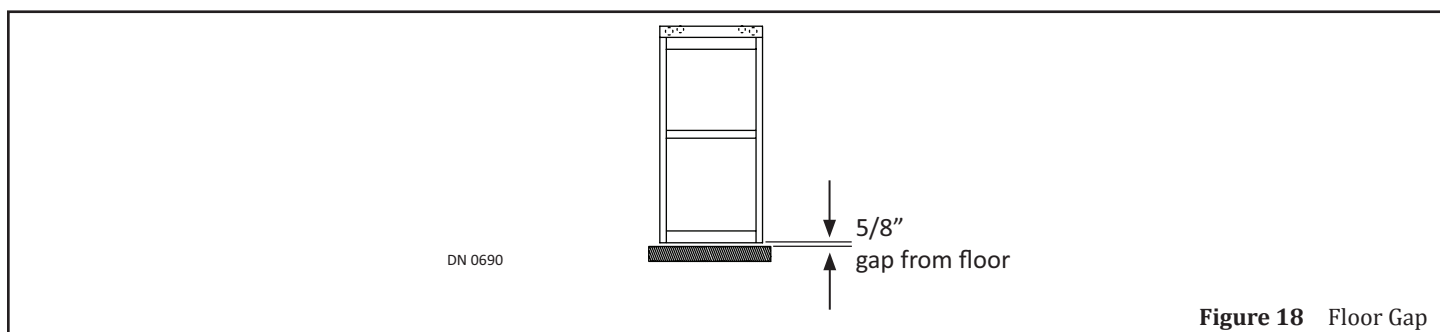
SECTION 9.1: Lift the Trail Door onto the Roller Track

1. Cover the Sidelite Panel with cardboard on the side that will face the Trail door.
2. With Slide door tilted, install the Carrier onto the Track, and Bottom Guide.
 - a. Slide door is slightly tilted to make it easier for the (4) Rollers to 'catch' onto the track.
3. Secure (1) Bottom Guide to the bottom of Strike Stile with (2) 1/4" Star Washers and (2) 1/4 - 20 x 3/4" Hex Cap Screws.



SECTION 9.2: Adjust Trail Door Height

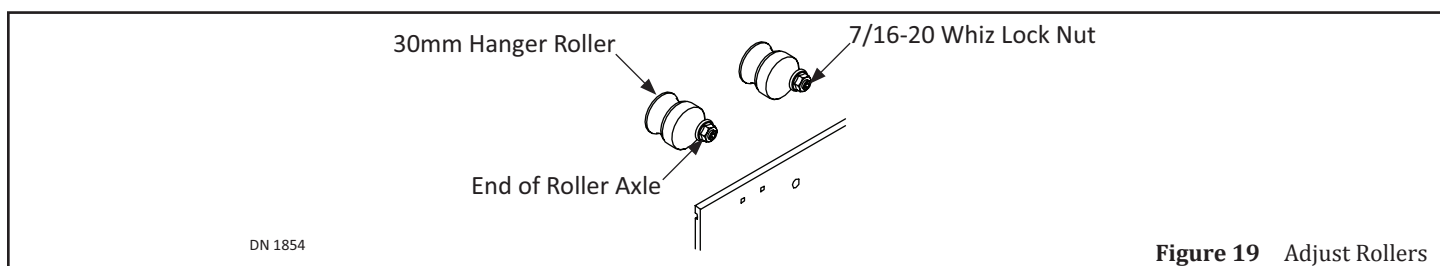
Hanger Rollers adjust the height of a Slide door, and to ensure the Leading edge of Trail door and Sidelite Panel are parallel at the top or bottom. The recommended gap between the Bottom Rail and the floor is 5/8 inch.



CAUTION

Do not rotate the Roller Axle counter-clockwise. Doing so will unthread the Axle from the Hanger Roller.

1. Loosen (4) Hanger Rollers by inserting (1) 7/32" Allen wrench into the exposed end of a Roller Axle. Hold the 7/32 inch Allen wrench in place to keep the Roller Axle stationary. At the same time, loosen (1) 7/16-20 Whiz Lock nut with a 15/16 inch Open End Wrench.

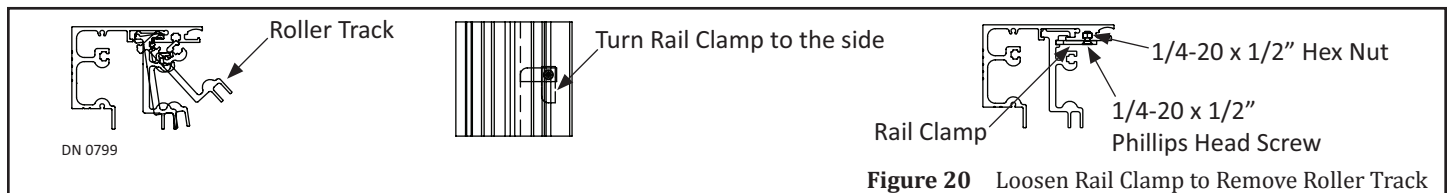


- Keep the Roller Axle stationary by clamping the 7/32 inch Allen wrench onto the exposed end of the Roller Axle.
- Rotate the 7/16-20 Whiz Lock nut on each Hanger Roller to lower or raise the Slide Door.
- Ensure the Leading Edge of the Slide door and Header are parallel.
- With the 7/32 inch Allen wrench still in place, tighten each (1) 7/16-20 Whiz Lock nut with a 15/16 inch Open End Wrench.

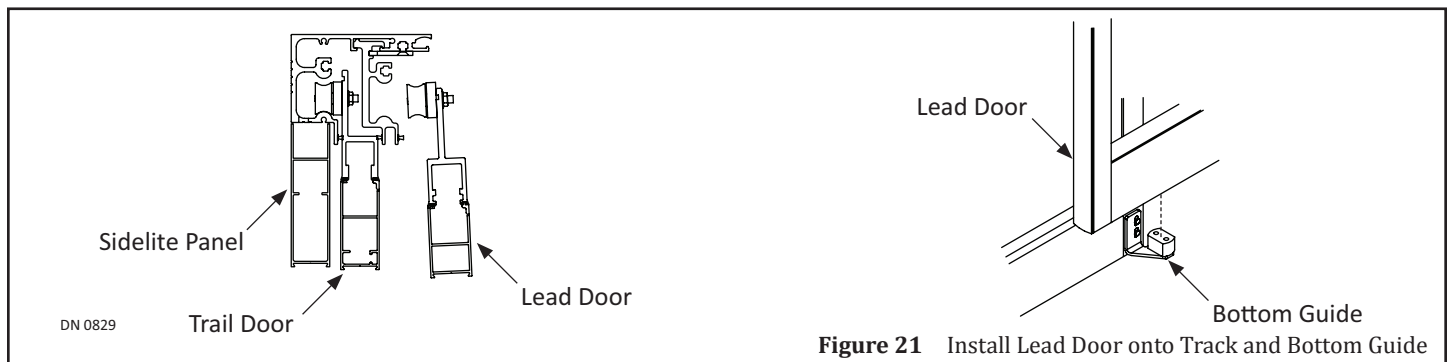
CHAPTER 10: INSTALL THE LEAD DOOR

SECTION 10.1: Lift the Lead Door onto the Roller Track

- Cover the Trail door with cardboard on the side that will face the Lead door.
- Obtain the Roller Track that was saved for reinstallation. Tilt and then insert the Roller Track into the Header slot. Let the Roller Track drop down until it is parallel to the floor.
- Turn each Rail Clamp back to the original position. Secure with (1) 1/4-20 x 1/2 inch Phillips Head screws.

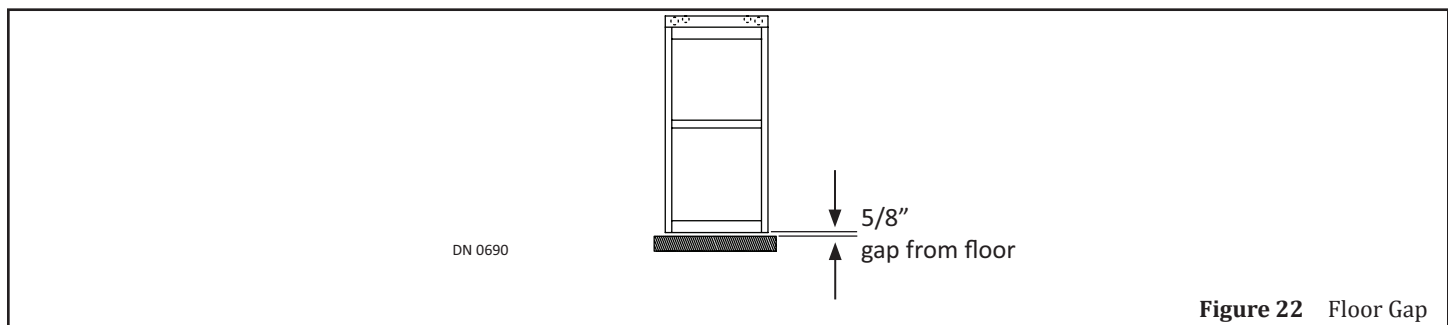


- Secure (1) Bottom Guide to the bottom of Strike Stile with (2) 1/4" Star Washers and (2) 1/4 - 20 x 3/4" Hex Cap.
- With Slide door tilted, install the Carrier onto the Track, and on top of the Bottom Guide.
 - Slide door is slightly tilted to make it easier for the (4) Rollers to 'catch' onto the Track.



SECTION 10.2: Adjust Lead Door Height

Hanger Rollers adjust the height of a Slide door, and to ensure the Leading edge of Trail door and Sidelite Panel are parallel at the top or bottom. The recommended gap between the Bottom Rail and the floor is 5/8 inch.



CAUTION

Do not rotate the Roller Axle counter-clockwise. Doing so will unthread Axle from Roller.

- Loosen (4) Hanger Rollers by inserting (1) 7/32" Allen wrench into the exposed end of a Roller Axle. Hold the 7/32 inch Allen wrench in place to keep the Roller Axle stationary. At the same time, loosen (1) 7/16-20 Whiz Lock nut with a 15/16 inch Open End Wrench.

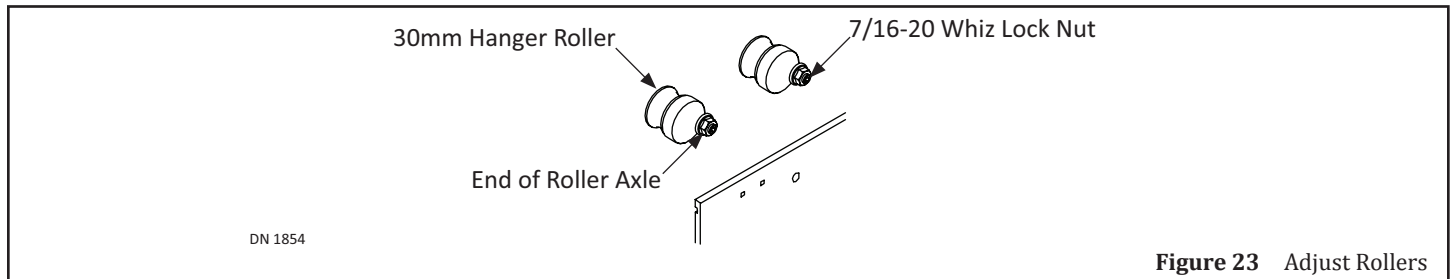


Figure 23 Adjust Rollers

2. Keep the Roller Axle stationary by clamping the 7/32 inch Allen wrench onto the exposed end of the Roller Axle.
3. Rotate the 7/16-20 Whiz Lock nut on each Hanger Roller to lower or raise the Slide Door.
4. Ensure the Leading Edge of the Slide door and Header are parallel.
5. With the 7/32 inch Allen wrench still in place, tighten each (1) 7/16-20 Whiz Lock nut with a 15/16 inch Open End Wrench.

CHAPTER 11: INSTALL WEATHERING

1. Slide Brush into the Brush Holder.
2. Secure the Brush Holder onto Bottom Rail of Swing Sidelite with (3) #6 x 1/2 inch self tapping screws.
 - a. It is recommended to leave at least a 1/8 inch gap between the Edge of the Pivot Stile and the Brush Holder, while allowing 1/8 inch Vinyl to extend past the Brush Holder so the gap is filled.
3. Breakout the Swing Sidelite. Secure the Brush Holder onto Bottom Rail of Slide door with (3) #6 x 1/2 inch self tapping screws.

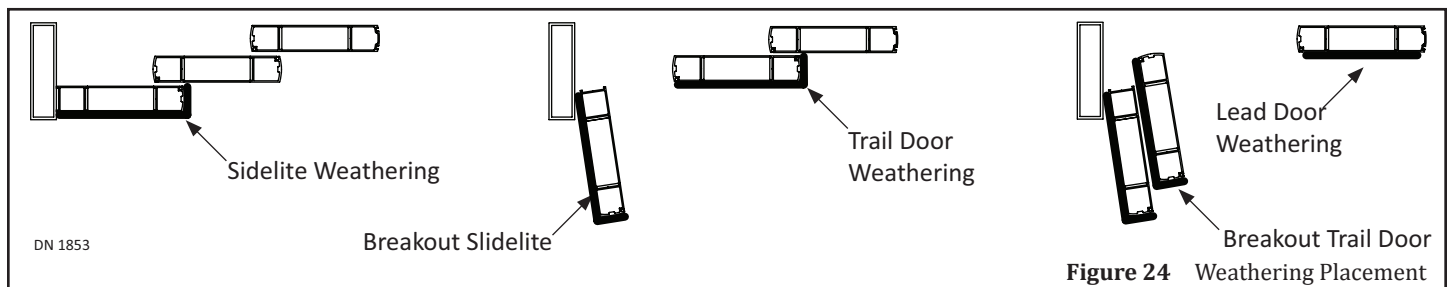


Figure 24 Weathering Placement

4. Ensure the Door Frame is properly secured to the Rough Opening.
5. Apply caulking bead between the Door Frame and Rough Opening (inside and outside).
6. Apply caulking bead to the Threshold at the bottom of Door Frame.

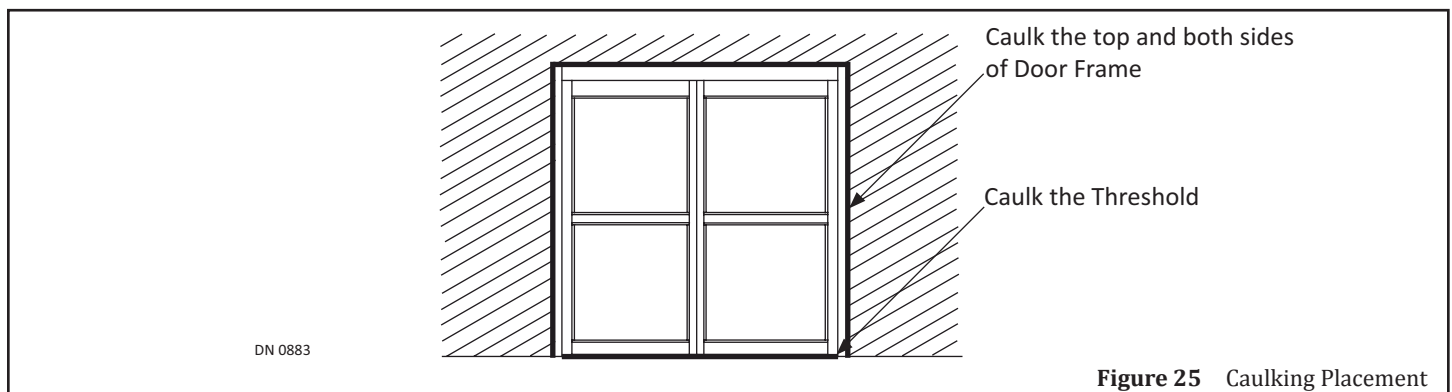


Figure 25 Caulking Placement

CHAPTER 12: GLAZING

CAUTION

Use caution when moving and installing the glass panels. These panel are constructed with tempered glass. Any sharp objects that come in contact with the glass may cause the glass to craze. NABCO Entrances, Inc. is not responsible for broken glass.

Attention: Per Chapter 24 of the International Building Code (IBC), all glass must comply with ANSI Standard Z97.1 (Glass and Settings Blocks are not provided by NABCO).

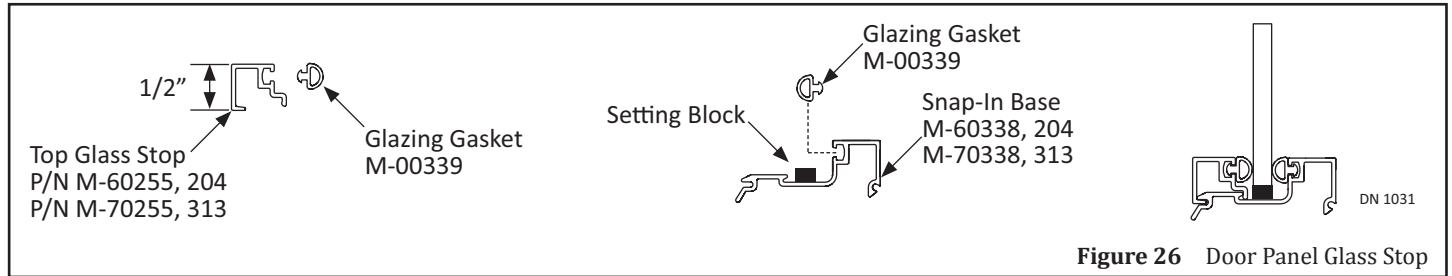


Figure 26 Door Panel Glass Stop

SECTION 12.1: Door Panel

1. Ensure the Snap Base is free of debris and/or sharp objects.
2. Install the Setting Blocks (not provided by NABCO) and Glass Panel.
3. Secure the Glass Panel with Snap-In Glass Stops (Provided by Nabco).

SECTION 12.2: Cross Blocking

In accordance with standard glazing practices, Nabco recommends Cross-Blocking for maintaining square with heavy glass or wide Door Panels (Fixed and Full Open). Cross-Blocking helps direct glass weight away from the strike edge of the door, to prevent sagging and possibly dragging on the floor or threshold.

If the Door Panel is not square and sags at the lead edge, increase the thickness of the Glazing Block (not provided by NABCO). Increasing the thickness of the Glazing Block, raises the Door Panel.

Only place Glazing Blocks in the designated marked spots.

1. Go to the STRIKE side of door panel at the TOP.
 1. Measure (6) inches from the Bottom edge of Top Rail, towards the Pivot side of Door Panel. Mark that spot.
 2. Measure (6) inches from the Top Corner of the Strike Edge down to the bottom of the Door Panel. Mark that spot.
3. Go to the PIVOT side of door panel at the BOTTOM.
 1. Measure (6) inches from the Top edge of Bottom Rail, up to the top of Door Panel. Mark that spot.
 2. Measure (6) inches from the Center of Pivot, towards the Strike side of Door Panel. Mark that spot.
3. Place (1) Glazing Block (not provided by NABCO) between the Glass and Door Frame, at marked spots.
 - a. It may be necessary to use more than (1) Glazing Block.

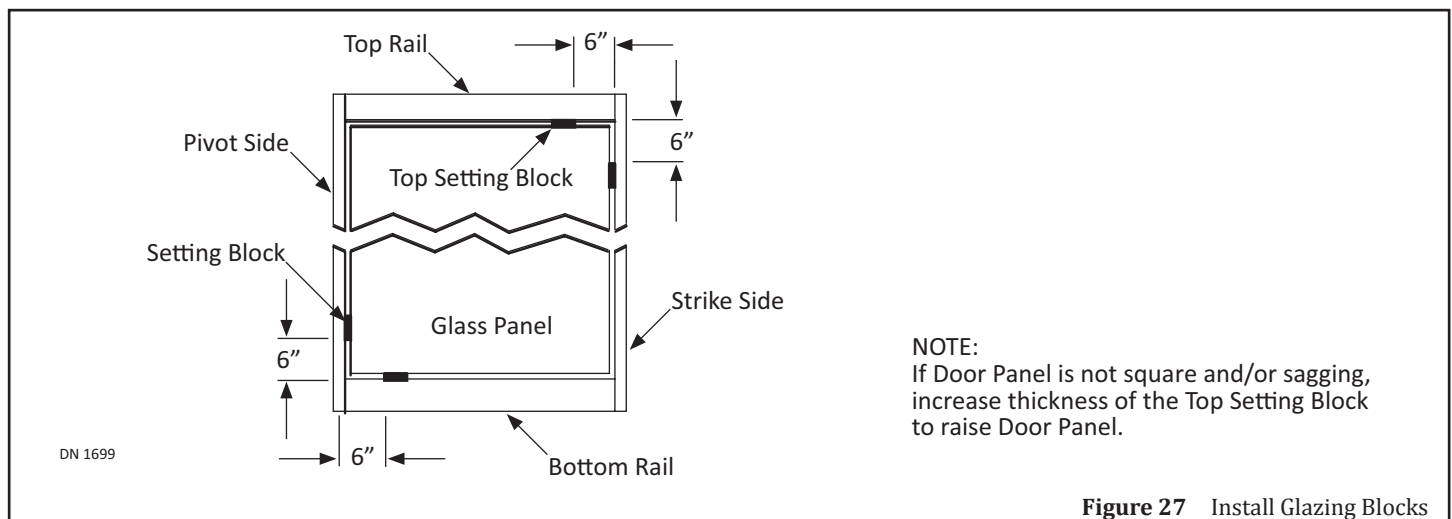


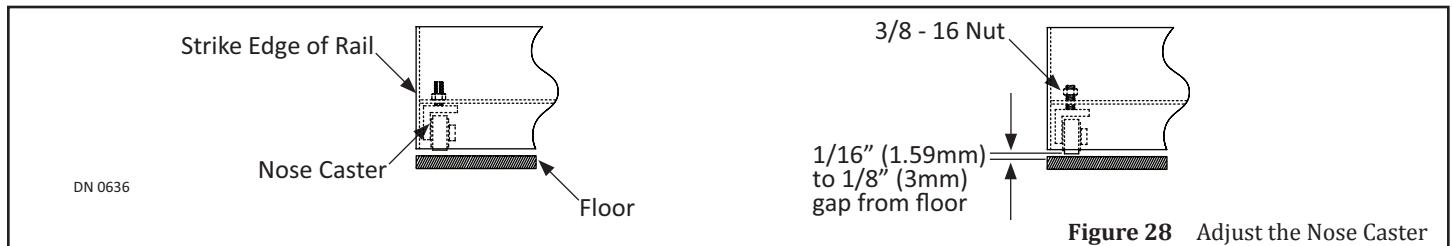
Figure 27 Install Glazing Blocks

CHAPTER 13: ADJUSTMENTS

SECTION 13.1: Adjust the Nose Caster

Note: Installed on Units that are 54 Inches Wide (or greater) and/or over 200 Pounds.

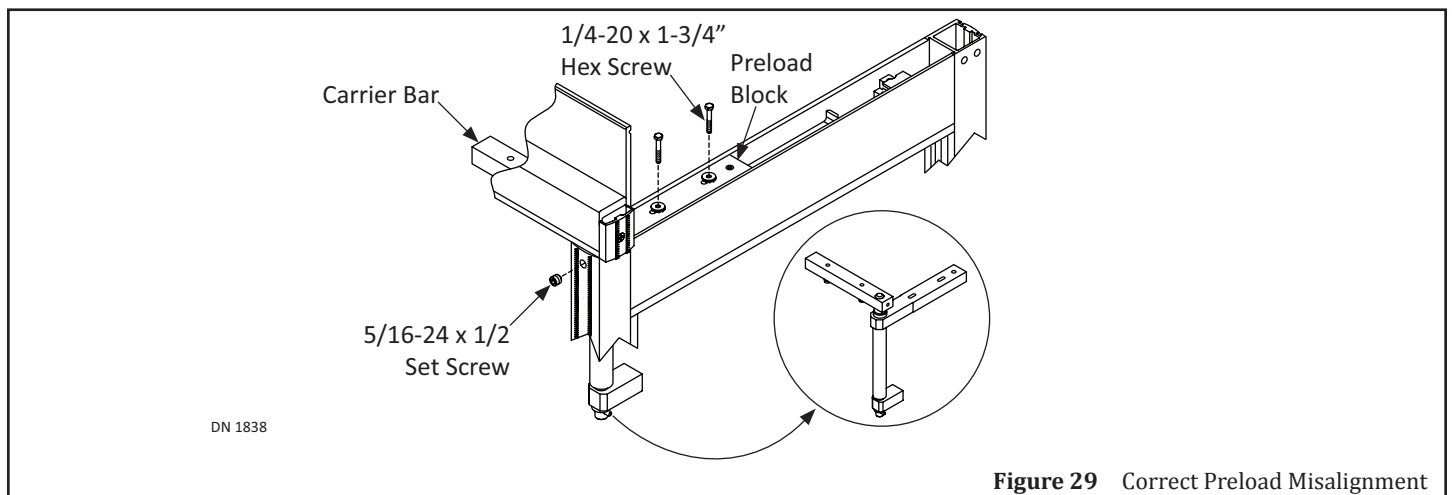
1. Go to the Bottom Rail. Remove (1) End Cap.
2. Breakout the Slide door. Locate the Nose Caster that was pre-installed within the Strike.



3. Loosen the #8-32 Set Screw. Position the Wheel so it is perpendicular to the Bottom Rail. Retighten the #8-32 Set Screw.
4. Fully close the Slide door. Ensure the Nose Caster does not hit or scrape the floor. Reinstall the End Cap. Correct Preload Misalignment.

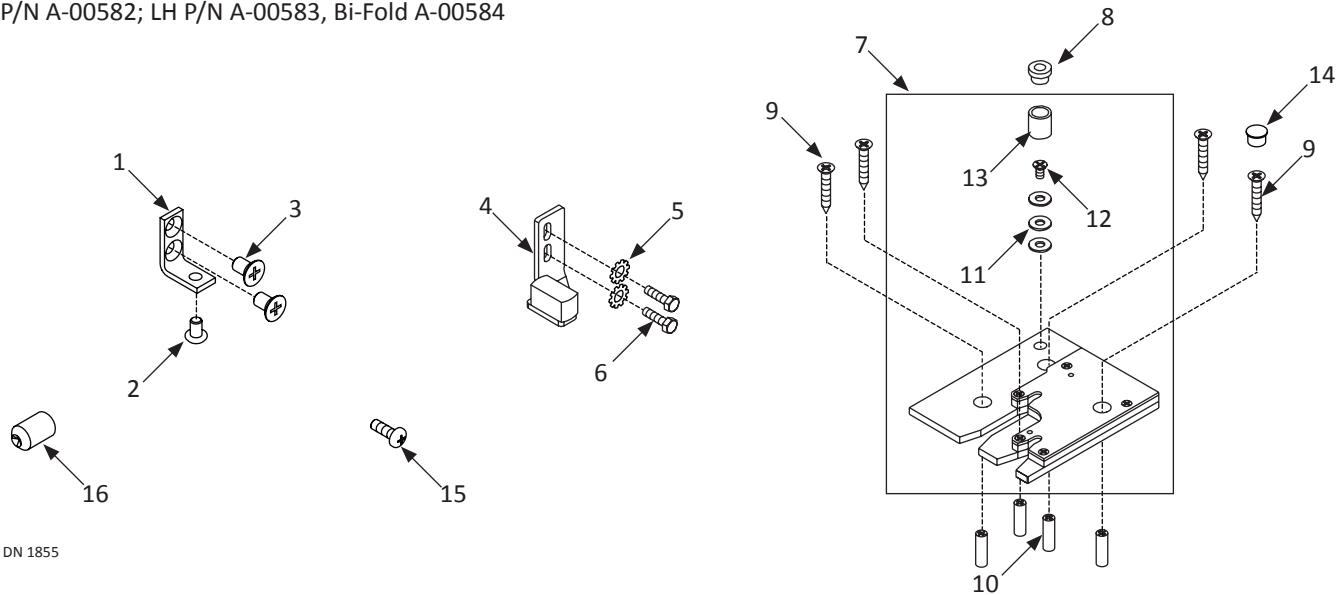
SECTION 13.2: Correct Preload Misalignment

1. Breakout the Slide Door. Loosen the 5/16-24 x 1/2 Set Screw located on Pivot Stile, at the Top.
1. Go inside the Top Rail. Loosen (2) 1/4-20 x 1-3/4 inch Hex Screws used to secure the Preload Block to the Top Rail.
2. Slide the Pivot Carrier back or forth until the Slide Door and Carrier are properly aligned.
3. Fully close the Slide Door to ensure the Preload is aligned. Retighten the Hex Screws.



SERVICE PARTS: KIT

RH P/N A-00582; LH P/N A-00583, Bi-Fold A-00584



DN 1855

Service Parts Kit

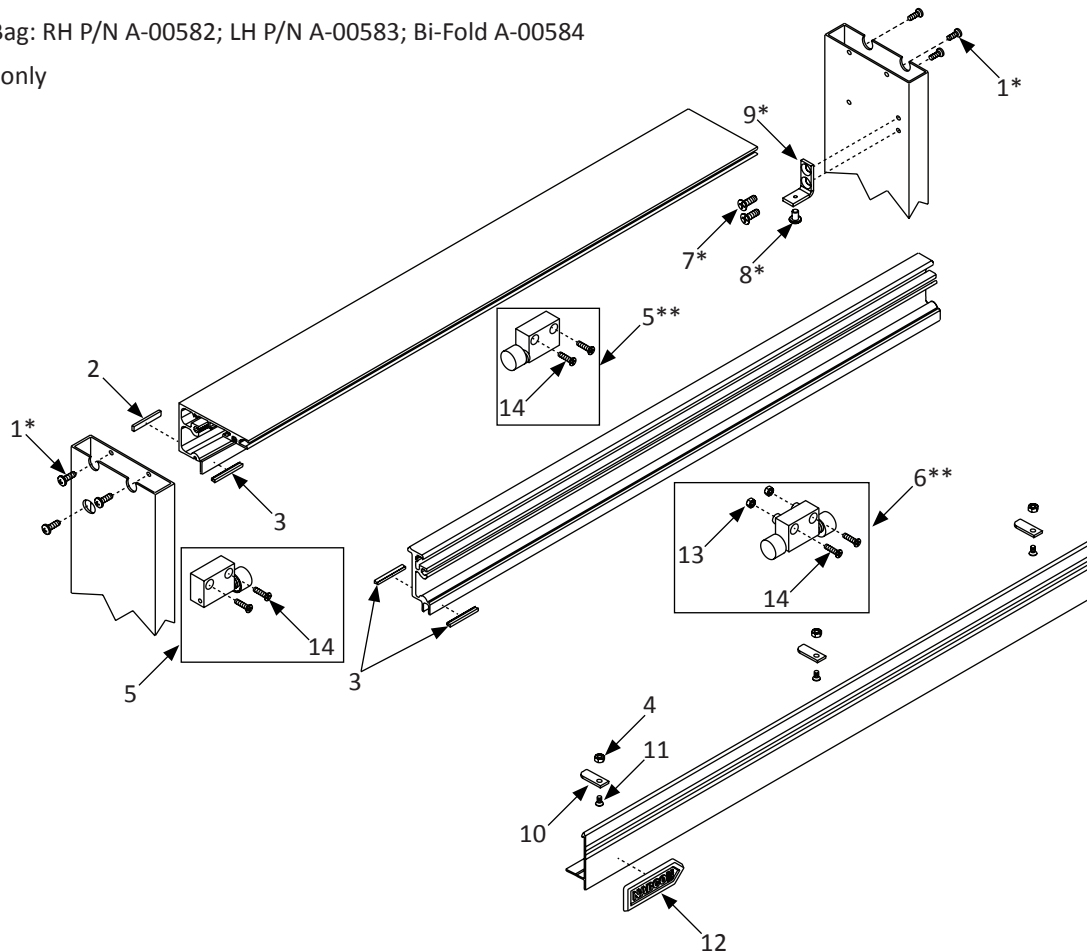
Item	Part	Note	Description	QTY	Used To
1	M-01049		CLIP, COVER	2	Secure Cover to Header and Jamb Tube
2	T-00323		RHMS,8-32x0.250L.,PHIL,ZINC	2	Secure Cover to Header
3	T-00016		FHMS,1/4-20x0.438L.,PHIL,UNDERCUT,ZINC	4	Secure Cover to Jamb Tube
4	A-00318	LH,NAR	GUIDE BLOCK, NAR STILE, LH	2	Guide Slide Door back/forth, keep Rollers in Track
	A-00321	RH,NAR	GUIDE BLOCK, NARR STILE, RH		
	A-00325	LH,MED	GUIDE BLOCK, MED STILE, LH		
	A-00327	RH,MED	GUIDE BLOCK, MED STILE, RH		
5	T-00087		WASHER, LOCK, EXT, 1/4 ID, ZINC	4	Keep screws from moving up/down Screw Hole
6	T-00064		HHCS,1/4-20x0.750L.,ZINC	4	Secure Guide Block to Stile
7	A-01345	RH	PIVOT ASM, 3 PANEL TELE TRACKLESS RH	1	Swing Open Slide Door
	A-01346	LH	PIVOT ASM, 3 PANEL TELE TRACKLESS LH		
8	M-00606		BUSHING, BOTTOM PIVOT, SWING PANEL	1	Seat the Pivot Pin located inside Door Stile
9	T-00383		FHSMS:14 x1.500L.:PHIL: SS	4	Secure Pivot Assembly to floor
10	T-00314		SCREW ANCHOR, #16 X 1" LG	4	Anchor screws into floor
11	T-00084		WASHER,.313 ID,.734 OD,.065 THK,ZINC	3	Raise/Lower Door Height
12	T-00015		FHMS,1/4-20x0.750L.,PHIL,ZINC	1	Secure washers to Pivot Assembly
13	M-01107		PIVOT ,BOTTOM,SWING PANEL	1	House (1-3) Washers and Screw
14	V-00722		PLUG,HOLE,17/32	2	Keep dust/debris from settling inside Screw Hole
15	T-00326		RHMS,1/4-20x0.750L.,PHIL,ZINC SELF TAPNG	6	Secure Header to Jamb Tubes
16	T-00261		SHSS,5/16-24x0.500L.,CUP PT.	2	Adjust PreLoad

SERVICE PARTS: HEADER

Viewed from **Break Out** Side

* Sold in Parts Bag: RH P/N A-00582; LH P/N A-00583; Bi-Fold A-00584

** Bi-Fold Doors only

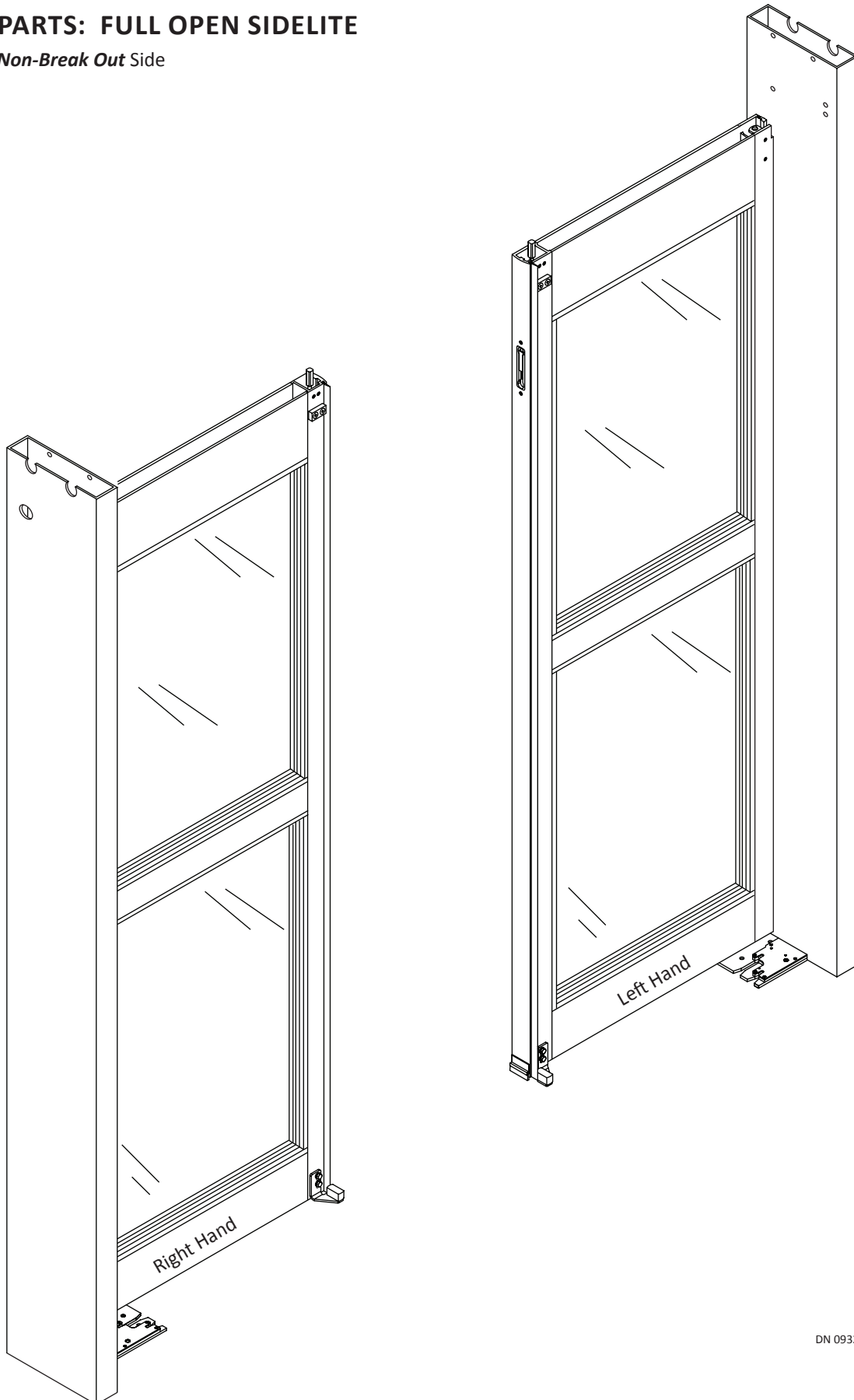


DN 0927

Header			
Item	Part	Finish/Sizes/Notes	Description
1	T-00326		RHMS,1/4-20x0.750L.,PHIL,ZINC SELF TAPNG
2	M-00281	Smoke Seal Only/Gray	FOAM WEATHERSTRIPPING ADHESIVE BACKED
3	M-00688	Smoke Seal Only/Black	PILE WEATHERING .45 TALL W/ ADHESIVE
4	T-00002		NUT,HEX,1/4-20,ZINC
5	12-10714	Right Hand	END STOP ASSEMBLY - RH
	12-10829	Left Hand	END STOP ASSEMBLY - LH
6	12-11107	Bi-Part only	DOOR STOP ASSEMBLY CENTER -BIPART
7	T-00016		FHMS,1/4-20x0.438L.,PHIL,UNDERCUT,ZINC
8	T-00323		RHMS,8-32x0.250L.,PHIL,ZINC
9	M-01049		CLIP, COVER
10	M-01093		CLIP,RAIL,TELE
11	T-00045		FHMS,10-24x0.375L.,PHIL,UNDERCUT,BLK ZN
12	C-00067		"NAMEPLATE, ADHESIVE BACKED"
13	T-00002		NUT,HEX,1/4-20,ZINC
14	T-00294		FHMS,1/4-20x1.000L.,PHIL,ZN

SERVICE PARTS: FULL OPEN SIDELITE

Viewed from *Non-Break Out* Side

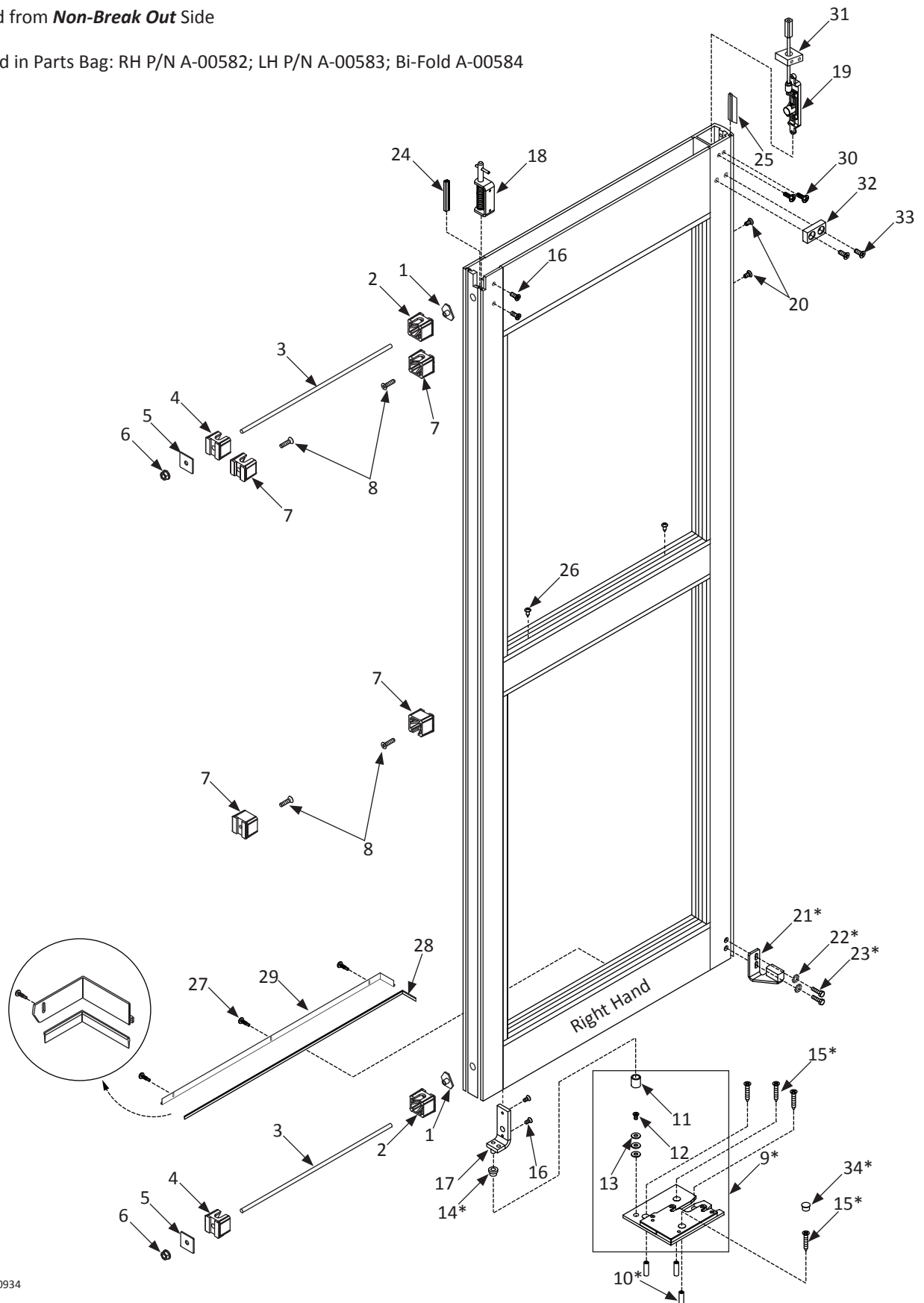


DN 0932

SERVICE PARTS: RIGHT HAND FULL OPEN SIDELITE

Viewed from *Non-Break Out* Side

* Sold in Parts Bag: RH P/N A-00582; LH P/N A-00583; Bi-Fold A-00584

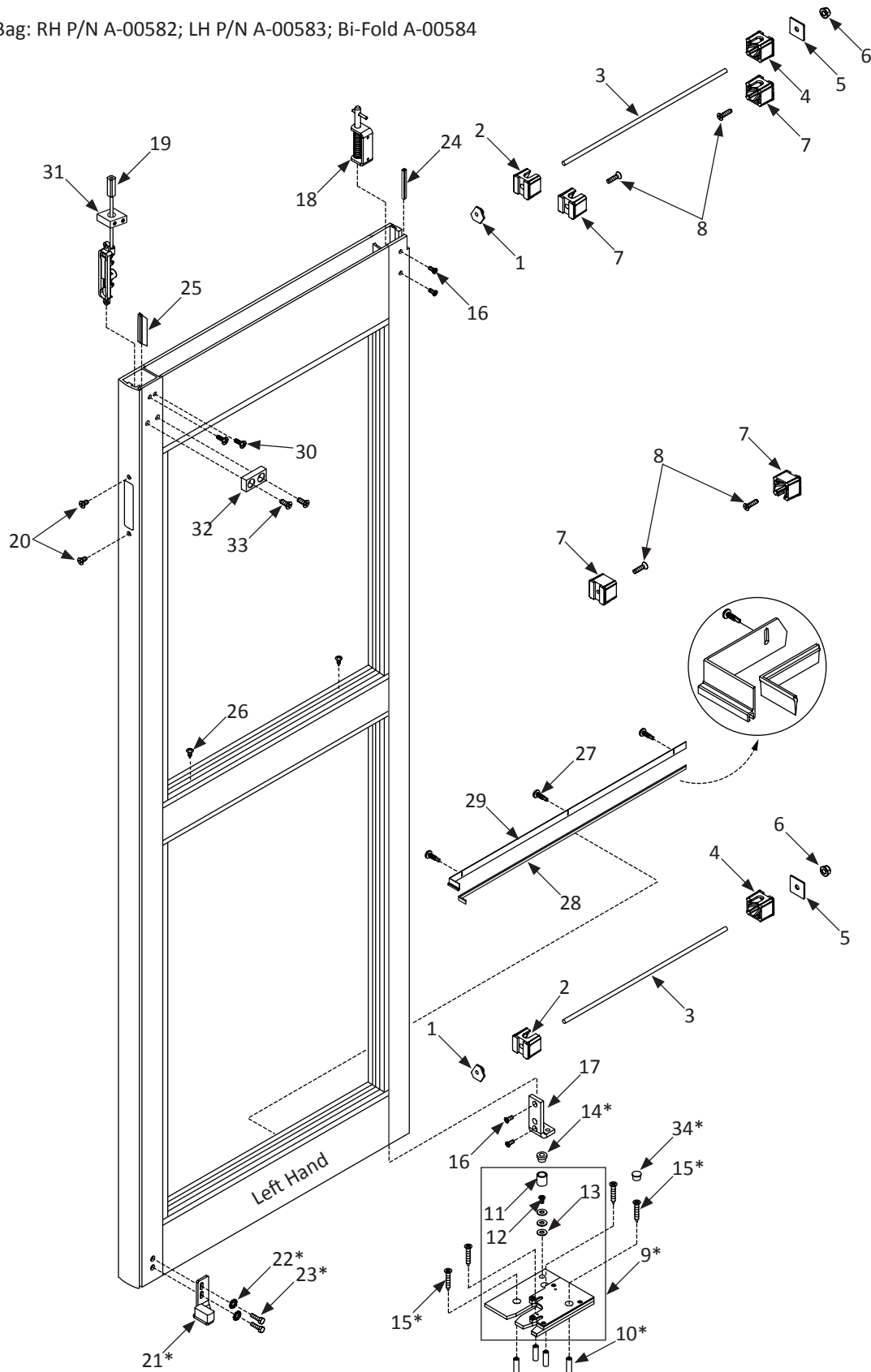


DN 0934

SERVICE PARTS: LEFT HAND FULL OPEN SIDELITE

Viewed from *Non-Break Out* Side

* Sold in Parts Bag: RH P/N A-00582; LH P/N A-00583; Bi-Fold A-00584

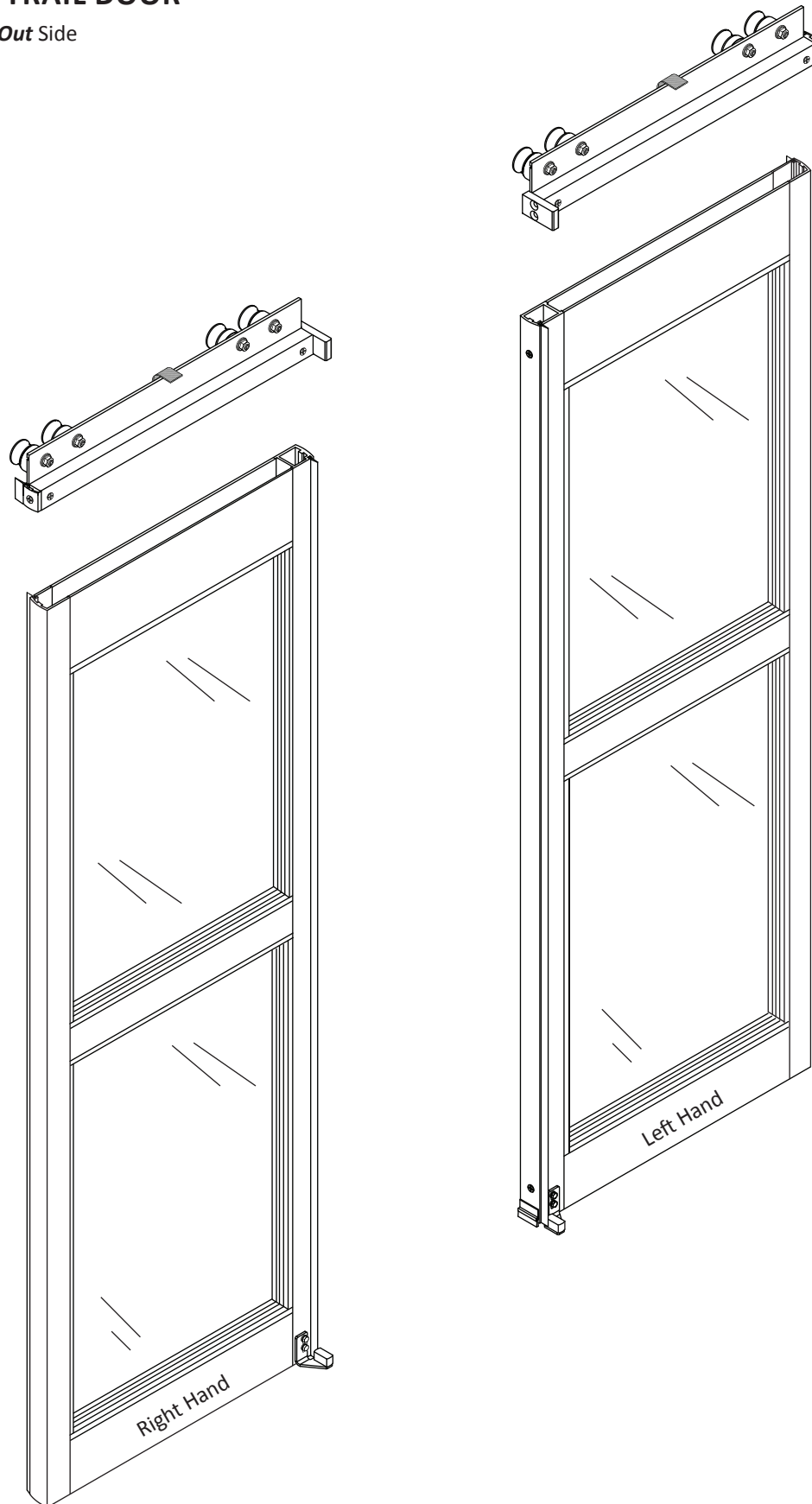


Sidelite			
Item	Part	Finish/Sizes/Notes	Description
1	M-00416		T-NUT, 3/8"-16, TIE ROD
2	M-00460		CLIP,MUNTIN,.500 HOLE
3	M-00272	Zinc	3/8-16 THREADED ROD
4	M-00461		CLIP,MUNTIN,.386 HOLE
5	M-00422		PLATE,TIE ROD
6	T-00025	Zinc	NUT,WHIZLOCK,3/8-16,ZINC
7	M-00462		CLIP,MUNTIN,.261 HOLE
8	T-00061	Zinc	FHMS,1/4-20x1.000L.,PHIL,TRI-LOBE,ZINC
9	A-01345		PIVOT ASM, 3 PANEL TELE TRACKLESS RH
	A-01346		PIVOT ASM, 3 PANEL TELE TRACKLESS LH
10	T-00314		SCREW ANCHOR, #16 X 1" LG
11	M-01107		PIVOT ,BOTTOM,SWING PANEL
12	T-00015		FHMS,1/4-20x0.750L.,PHIL,ZINC
13	T-00084		WASHER,.313 ID,.734 OD,.065 THK,ZINC
14	M-00606		BUSHING, BOTTOM PIVOT, SWING PANEL
15	T-00383		FHSMS:14 x1.500L.:PHIL: SS
16	T-00184		FHMS,10-32x0.500L.,PHIL,UCUT,TRI-LOBE,ZN
17	M-00594	RH	PIVOT, SWING PANEL,BTM,RH
	M-00593	LH	LH BOTTOM PIVOT SWING PANEL
18	A-00029		ASM, TOP PIVOT, 1175 SWING PANEL
19	A-00332	Clear	FLUSH BOLT, W/ CUT,204
	A-00382	Dark Bronze	FLUSH BOLT, W/ CUT.313
20	T-00043		FHMS,10-24x0.375L.,PHIL,UNDERCUT,ZINC
21	A-00318	LH	GUIDE BLOCK, NAR STILE, LH
	A-00321	RH	GUIDE BLOCK, NARR STILE, RH
	A-00325	LH	GUIDE BLOCK, MED STILE, LH
	A-00327	RH	GUIDE BLOCK, MED STILE, RH
22	T-00087		WASHER, LOCK, EXT, 1/4 ID, ZINC
23	T-00064	Zinc	HHCS,1/4-20x0.750L.,ZINC
24	M-01244	Black	WEATHERING,BULB
25	M-01241	Smoke Seal Only/Gray	WEATHERING, VINYL, 9/16IN GRAY FIN
	M-71241	Smoke Seal Only/Black	WEATHERING,VINYL,9/16IN,BLK
26	T-00098		PHSMS,10x0.563L.,PHIL,TYPE A
27	T-00222	Smoke Seal Only/Zinc	PHSMS,6x0.500L.,PHIL,TEKS,ZINC
	T-00260	Smoke Seal Only/Black Oxide	PHSMS,6x0.500L. PHIL,TEKS BLK ZN
28	M-01239	Smoke Seal Only/Gray	WEATHERING, VINYL, 1IN GRAY FIN
	M-71239	Smoke Seal Only/Black	WEATHERING:VINYL:1.00:BLK
29	14-10659-01	Smoke Units Only/LH/Clear	WEATHERING HOLDER
	14-10659-02	Smoke Units Only/LH/Dark Bronze	WEATHERING HOLDER
	14-10660-01	Smoke Units Only/RH/Clear	WEATHERING HOLDER
	14-10660-02	Smoke Units Only/RH/Dark Bronze	WEATHERING HOLDER
30	T-00182		PHMS,10-32x0.500L.,PHIL,F-POINT,ZINC

Sidelite			
Item	Part	Finish/Sizes/Notes	Description
31	M-00100		BLOCK, 2100 GUIDE LOCK, ROD END
32	M-00978		SPACER, 2100 TELE
33	T-00176		FHMS,10-32x0.500L.,PHIL,UCUT,23-PT,ZINC
34	V-00722		PLUG,HOLE,17/32

SERVICE PARTS: TRAIL DOOR

Viewed from *Non-Break Out* Side

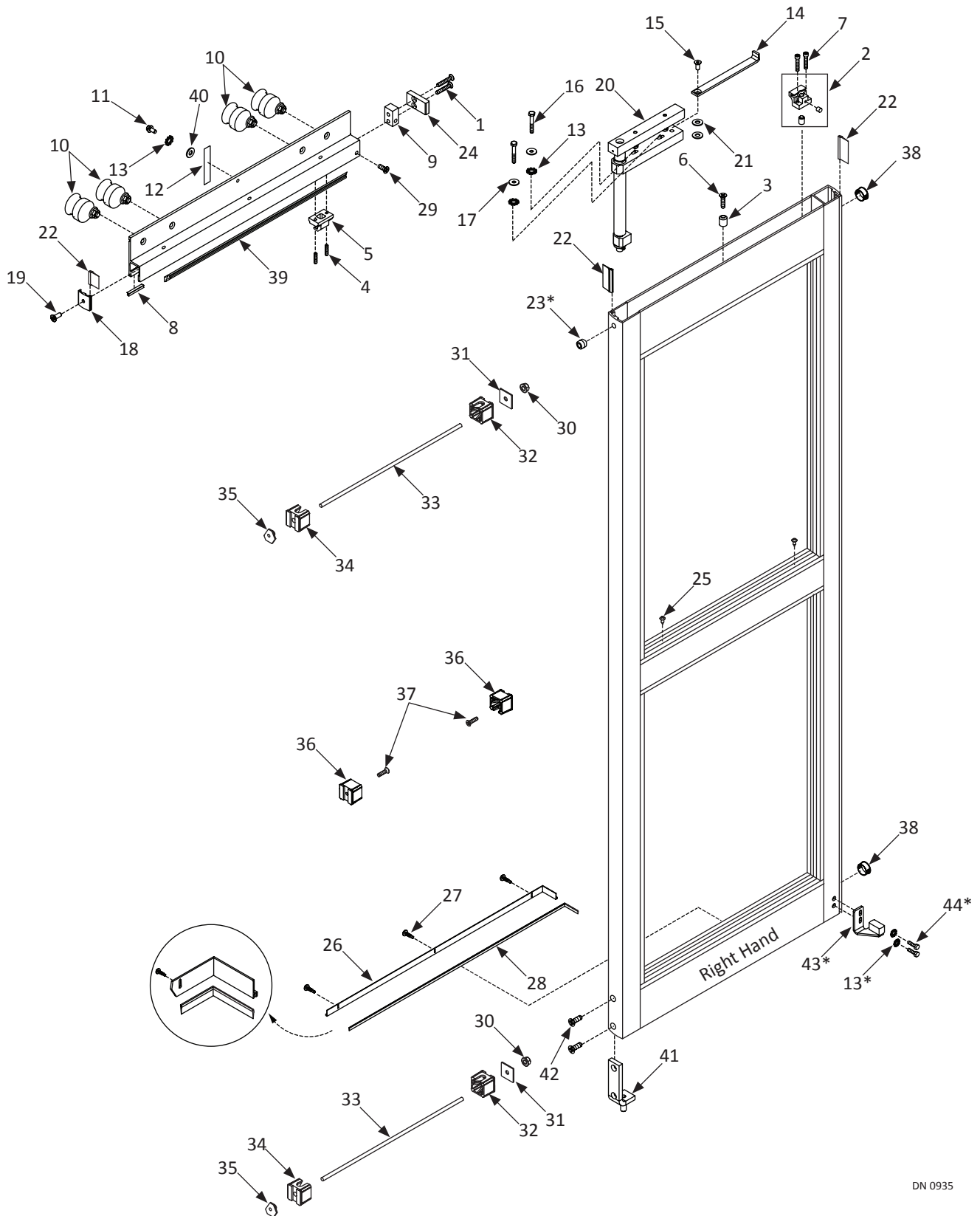


DN 0937

SERVICE PARTS: RIGHT HAND TRAIL DOOR

Viewed from **Non-Break Out** Side

* Sold in Parts Bag: RH P/N A-00582, LH P/N A-00583, Bi-Fold A-00584

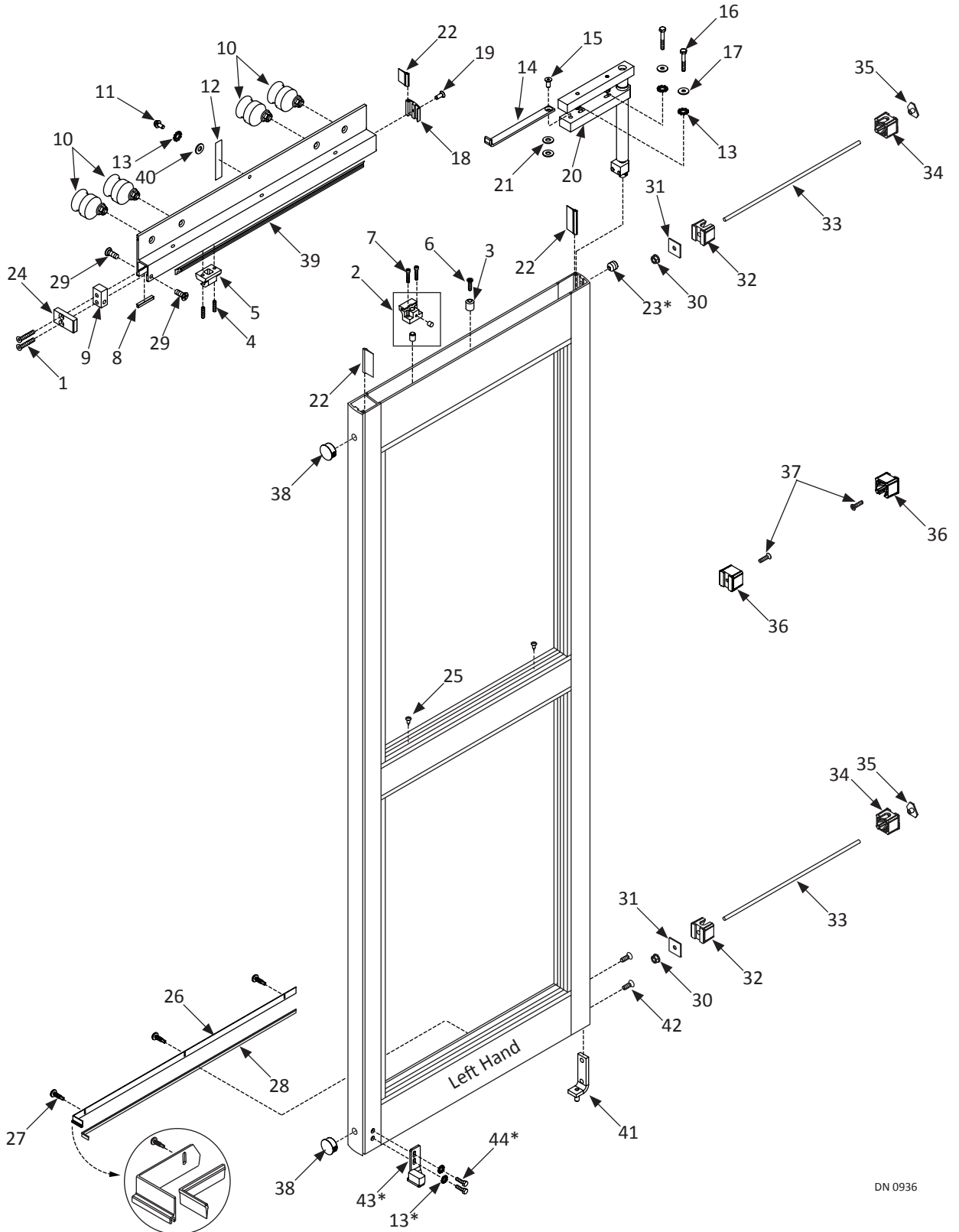


DN 0935

SERVICE PARTS: LEFT HAND TRAIL DOOR

Viewed from *Non-Break Out* Side

* Sold in Parts Bag: RH P/N A-00582, LH P/N A-00583, Bi-Fold A-00584



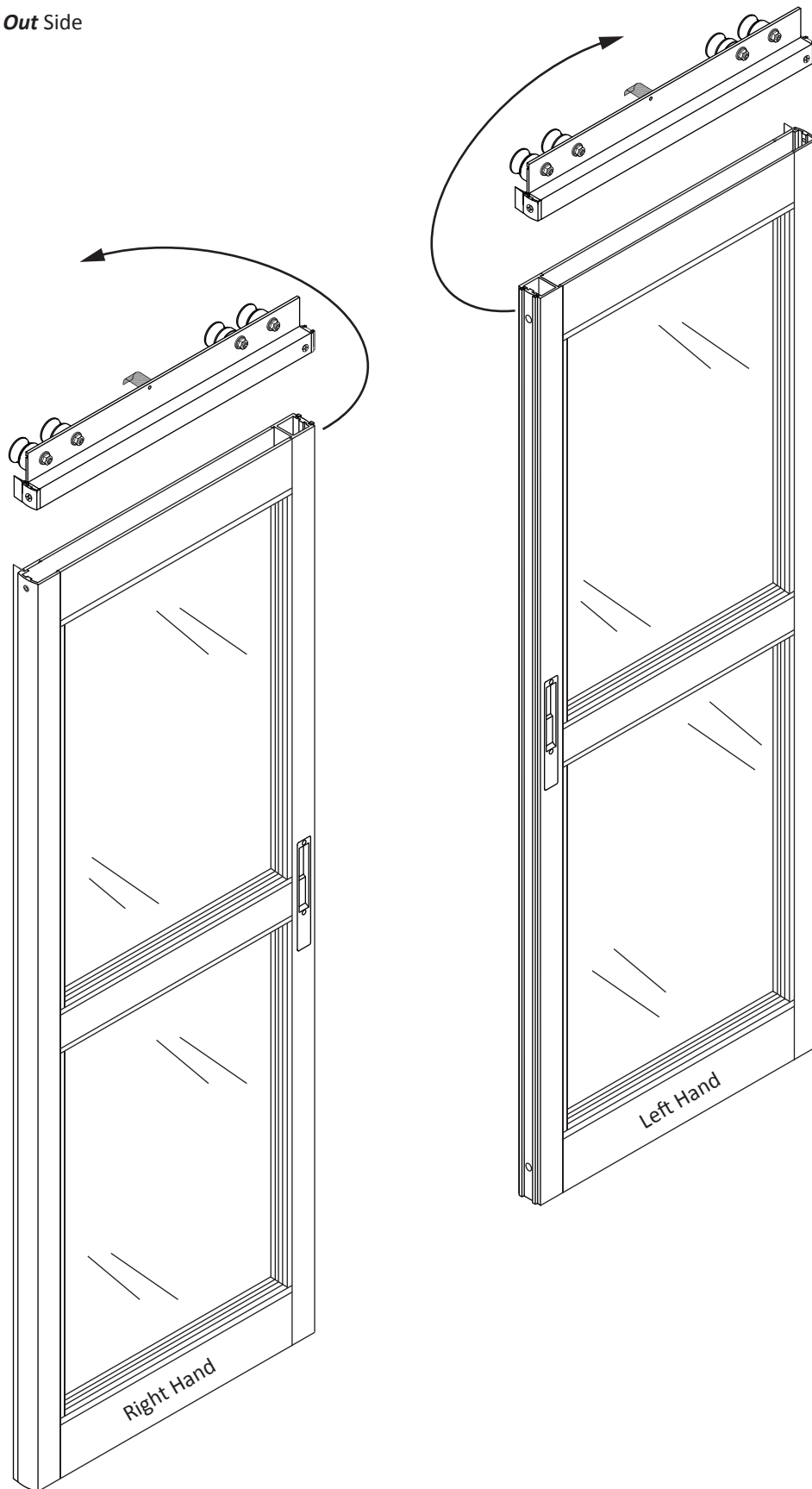
DN 0936

Trail Door			
Item	Part	Finish/Sizes/Notes	Description
1	T-00405		"FHMS,1/4-20x1.250L.,SOKT,BK.OX,GR8"
2	A-00069		PANIC CATCH, BOTTOM
3	M-00653		BRACKET, LIMIT ARM SUPPORT
4	T-00091		SHSS,5/16-18x1.250L.,CUP PT.
5	M-00483		PANIC CATCH RELEASE ASSEMBLY
6	T-00061	Zinc	FHMS,1/4-20x1.000L.,PHIL,TRI-LOBE,ZINC
7	T-00037		SHCS,1/4-20x1.250L.,ZINC
8	M-00690	Smoke Seal Only	WEATHER, PILE .2
9	M-01232		STRIKE,MOUNTING ,BLOCK,-COME ALONG
10	A-00416		ROLLER HANGER,30mm
11	T-00346	Green	HHCS:1/4-20x0.375L:GREEN:WASH HD:SLOT
12	M-01275		STATIC ARRESTOR,STRIP 4"
13	T-00087		WASHER, LOCK, EXT, 1/4 ID, ZINC
14	M-00379		LIMIT ARM, STANDARD STILES
15	T-00018	Zinc	FHCS,7/16-14x1.000L.,ZINC
16	T-00028		HHCS,1/4-20x1.750L.,GR5,ZINC
17	T-00029		WASHER,.250 ID,.563 OD,.049 THK,ZINC
18	M-01255	Clear	END CAP,7/16x1-7/8,204
	M-71255	Dark Bronze	END CAP,7/16x1-7/8,313
19	T-00183	Black Zinc	FHMS,10-32x0.500L.,PHIL,UCUT,23-PT,BLKZN
	T-00176	Zinc	FHMS,10-32x0.500L.,PHIL,UCUT,23-PT,ZINC
20	A-00092		CARRIER,PIVOT,NARROW STILE
	A-00165		CARRIER, PIVOT ASSY, MED STILE
	A-00168		CARRIER PIVOT ASM. NRW PANEL & STILE
	A-00172		CARRIER,PIVOT,ASM.,NRW.PNL - MED.STILE
21	T-00092		WASHER,.438 ID,1.00 OD,.083 THK,ZINC
22	M-01241	Smoke Seal Only/Gray	WEATHERING, VINYL, 9/16IN GRAY FIN
	M-71241	Smoke Seal Only/Black	WEATHERING,VINYL,9/16IN,BLK
23	T-00261		SHSS,5/16-24x0.500L.,CUP PT.
24	14-12066-01	Clear	STRIKE BRACKET - COME ALONG BRACKET 204
	14-12066-02	Dark Bronze	STRIKE BRACKET - COME ALONG BRACKET 313
25	T-00098		PHSMS,10x0.563L.,PHIL,TYPE A
26	14-10659-01	Smoke Units Only/LH/Clear	WEATHERING HOLDER
	14-10659-02	Smoke Units Only/LH/Dark Bronze	WEATHERING HOLDER
	14-10660-01	Smoke Units Only/RH/Clear	WEATHERING HOLDER
	14-10660-02	Smoke Units Only/RH/Dark Bronze	WEATHERING HOLDER
27	T-00222	Smoke Seal Only/Zinc	PHSMS,6x0.500L.,PHIL,TEKS,ZINC
	T-00260	Smoke Seal Only/Black Zinc	PHSMS,6x0.500L. PHIL,TEKS BLK ZN
28	M-01239	Smoke Seal Only/Gray	WEATHERING, VINYL, 1IN GRAY FIN
	M-71239	Smoke Seal Only/Black	WEATHERING:VINYL:1.00:BLK
29	T-00184		FHMS,10-32x0.500L.,PHIL,UCUT,TRI-LOBE,ZN
30	T-00025	Zinc	NUT,WHIZLOCK,3/8-16,ZINC

Trail Door			
Item	Part	Finish/Sizes/Notes	Description
31	M-00422		PLATE,TIE ROD
32	M-00461		CLIP,MUNTIN,.386 HOLE
33	M-00272	Zinc	3/8-16 THREADED ROD
34	M-00460		CLIP,MUNTIN,.500 HOLE
35	M-00416		T-NUT, 3/8"-16, TIE ROD
36	M-00462		CLIP,MUNTIN,.261 HOLE
37	T-00061	Zinc	FHMS,1/4-20x1.000L.,PHIL,TRI-LOBE,ZINC
38	V-00720		PLUG,HOLE,13/16 DOME
39	24-9094-01	Clear	INTERFACE LEG - 204
	24-9094-02	Dark Bronze	INTERFACE LEG - 313
40	T-00054		WASHER,.281 ID,.625 OD,.065 THK,ZINC
41	M-01414		PIVOT:BOTTOM:TELESCOPIC ICU
42	T-00017		FHMS,1/4-20x0.750L.,PHIL,BLK ZN
43	A-00318	LH	GUIDE BLOCK, NAR STILE, LH
	A-00321	RH	GUIDE BLOCK, NARR STILE, RH
	A-00325	LH	GUIDE BLOCK, MED STILE, LH
	A-00327	RH	GUIDE BLOCK, MED STILE, RH
44	T-00064		HHCS,1/4-20x0.750L.,ZINC

SERVICE PARTS: LEAD DOOR

Viewed from *Non-Break Out* Side

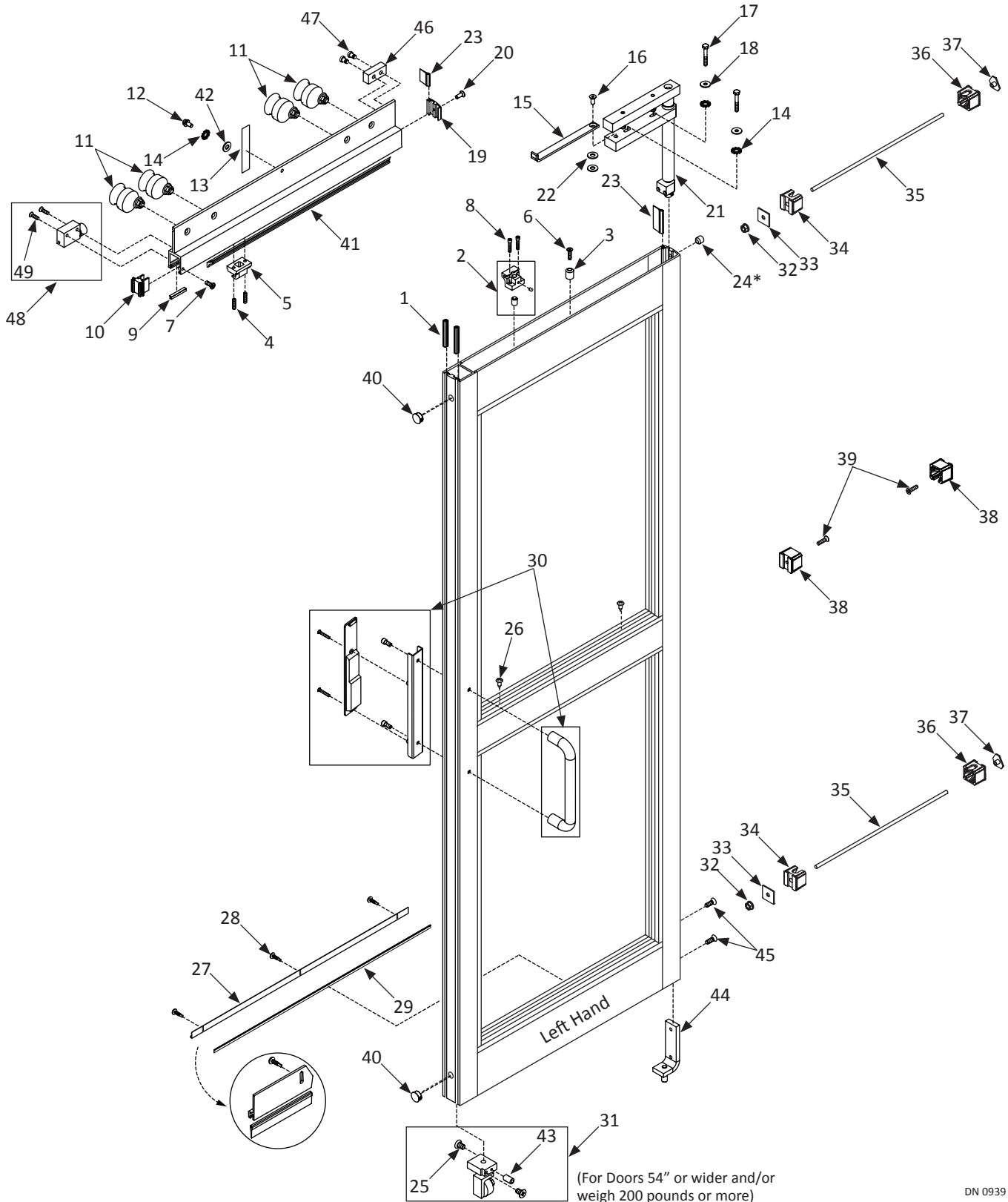


DN 0924

SERVICE PARTS: LEFT HAND LEAD DOOR

Viewed from **Non-Break Out** Side

* Sold in Parts Bag: RH P/N A-00582, LH P/N A-00583, Bi-Fold A-00584



DN 0939

Lead Door			
Item	Part	Finish/Sizes/Notes	Description
1	M-01244	Black	WEATHERING,BULB
2	A-00069		PANIC CATCH, BOTTOM
3	M-00653		BRACKET, LIMIT ARM SUPPORT
4	T-00091		SHSS,5/16-18x1.250L.,CUP PT.
5	M-00483		PANIC CATCH RELEASE ASSEMBLY
6	T-00061		FHMS,1/4-20x1.000L.,PHIL,TRI-LOBE,ZINC
7	T-00184		FHMS,10-32x0.500L.,PHIL,UCUT,TRI-LOBE,ZN
8	T-00037		SHCS,1/4-20x1.250L.,ZINC
9	M-00690	Smoke Seal Only	WEATHER, PILE .2
10	A-00400	Clear	CARRIER END CAP,STRIKE SIDE,204
	A-00401	Dark Bronze	CARRIER END CAP,STRIKE SIDE,313
11	A-00416		ROLLER HANGER,30mm
12	T-00346	Green	HHCS:1/4-20x0.375L:GREEN:WASH HD:SLOT
13	M-01275		STATIC ARRESTOR,STRIP 4"
14	T-00087		WASHER, LOCK, EXT, 1/4 ID, ZINC
15	M-00379		LIMIT ARM, STANDARD STILES
16	T-00018		FHCS,7/16-14x1.000L.,ZINC
17	T-00028		HHCS,1/4-20x1.750L.,GR5,ZINC
18	T-00029		WASHER,.250 ID,.563 OD,.049 THK,ZINC
19	M-01255	Clear	END CAP,7/16x1-7/8,204
	M-71255	Dark Bronze	END CAP,7/16x1-7/8,313
20	T-00183	Black Zinc	FHMS,10-32x0.500L.,PHIL,UCUT,23-PT,BLKZN
	T-00176	Zinc	FHMS,10-32x0.500L.,PHIL,UCUT,23-PT,ZINC
21	A-00092		CARRIER,PIVOT,NARROW STILE
	A-00165		CARRIER, PIVOT ASSY, MED STILE
	A-00168		CARRIER PIVOT ASM. NRW PANEL & STILE
	A-00172		CARRIER,PIVOT,ASM.,NRW.PNL - MED.STILE
22	T-00092		WASHER,.438 ID,1.00 OD,.083 THK,ZINC
23	M-01241	Smoke Seal Only/Gray	WEATHERING, VINYL, 9/16IN GRAY FIN
	M-71241	Smoke Seal Only/Black	WEATHERING,VINYL,9/16IN,BLK
24	T-00261		SHSS,5/16-24x0.500L.,CUP PT.
25	T-00016	Zinc	FHMS,1/4-20x0.438L.,PHIL,UNDERCUT,ZINC
	T-00108	Black Zinc	FHMS,1/4-20x0.438L.,PHIL,UNDERCUT,BLK ZN
26	T-00098		PHSMS,10x0.563L.,PHIL,TYPE A
27	24-9125-01	Smoke Seal Only/Clear	WEATHERING EXT, 204
	24-9125-02	Smoke Seal Only/Dark Bronze	WEATHERING EXT, 313
28	24-0013-03	Smoke Seal Only/Zinc	PHSMS, 6 X 1/2", PHIL, TEKS, ZN
	24-0013-04	Smoke Seal Only/Black Zinc	PHSMS, 6 X 1/2", PHIL, TEKS, BLK ZN
29	M-01239	Smoke Seal Only/1 inch/Gray	WEATHERING, VINYL, 1IN GRAY FIN
	M-71239	Smoke Seal Only/1 inch/Black	WEATHERING:VINYL:1.00:BLK
30	A-00988	Clear	HANDLE,D & RECESSED;KIT,204
	A-00989	Dark Bronze	HANDLE,D & RECESSED;KIT;313

Lead Door			
Item	Part	Finish/Sizes/Notes	Description
31	A-00198		NOSE CASTER ASSY, NAR
	A-00207		NOSE CASTER ASSY, MED
32	T-00025		NUT,WHIZLOCK,3/8-16,ZINC
33	M-00422		PLATE,TIE ROD
34	M-00461		CLIP,MUNTIN,.386 HOLE
35	M-00272		3/8-16 THREADED ROD
36	M-00460		CLIP,MUNTIN,.500 HOLE
37	M-00416		T-NUT, 3/8"-16, TIE ROD
38	M-00462		CLIP,MUNTIN,.261 HOLE
39	T-00061		FHMS,1/4-20x1.000L.,PHIL,TRI-LOBE,ZINC
40	V-00720		PLUG,HOLE,13/16 DOME
41	24-9094-01	Clear	INTERFACE LEG - 204
	24-9094-02	Dark Bronze	INTERFACE LEG - 313
42	T-00054		WASHER,.281 ID,.625 OD,.065 THK,ZINC
43	T-00105		SHSS,8-32x0.313L.,CUP PT.
44	M-01414		PIVOT:BOTTOM:TELESCOPIC ICU
45	T-00017		FHMS,1/4-20x0.750L.,PHIL,BLK ZN
46	M-01194		BUMPER - COME ALONG BRACKET
47	T-00106		"SHCS,1/4-20x0.375L,LOW HD."
48	A-00630	RH/Clear	ASM:COME ALONG:204
	A-70630	RH/Dark Bronze	ASM:COME ALONG:313
	A-00515	LH/Clear	COME ALONG,KIT,LH,204
	A-70515	LH/Dark Bronze	COME ALONG,KIT,LH,313
49	T-00124	Zinc	"FHMS,1/4-20x0.875L.,PHIL,ZINC"
	T-00432	Black Zinc	"FHMS,1/4-20x0.875L.,PHIL,BK.ZC."