



Model GT1175 (H60-Narrow) Hurricane Slide Door Installation Manual

with U30 Control

P/N C-00292 Rev 1-16-19

Nabco Entrances Inc. S82 W18717 Gemini Drive Muskego, Wisconsin 53150
Phone: (877) 622-2694 Fax: (888) 679-3319 www.nabcoentrances.com
NABCO hours of Operation: Monday to Friday 8:00 a.m.- 4:30 p.m. (Central Time)

Associated Manuals Part Numbers: U30 Microprocessor Control Setup and Programming Manual P/N C-00203 Model
GT1175 Electrical Installation Manual **with U30 Microprocessor Control** P/N C-00198
Automatic Sliding Door Owners Manual (P/N C-00109) for Decal Installation
NABCO Price Book P/N 16-9244-30 (for Sensors, Switches, and Accessories)

WARNING

- Turn OFF all power to the Automatic Door if a Safety System is not working.
• Instruct the Owner to keep all power turned OFF until corrective action can be achieved by a NABCO trained technician. Failure to follow these practices may result in serious consequences.
• NEVER leave a Door operating without all Safety detection systems operational.

Table of Contents

CHAPTER 1: WARNING LABELS 4
CHAPTER 2: GENERAL SAFETY RECOMMENDATIONS 4
CHAPTER 3: SCOPE 5
SECTION 3.1: To the Installer 5
SECTION 3.2: Objective 5
CHAPTER 4: GETTING STARTED. 5
SECTION 4.1: Header Components 5
SECTION 4.2: Mechanical Configurations: 5
SECTION 4.3: Emergency Egress:. 6
CHAPTER 5: INSPECT THE ROUGH OPENING 6
CHAPTER 6: ASSEMBLE DOOR FRAME. 6
SECTION 6.1: Remove the Header Cover 6
SECTION 6.2: Position the Door Frame. 6
CHAPTER 7: SECURE DOOR FRAME TO BUILDING 7
CHAPTER 8: WIRE THE ROCKER SWITCH 8
CHAPTER 9: INSTALL THE THRESHOLD. 8
CHAPTER 10: INSTALL THE FULL OPEN SIDELITE 10
SECTION 10.1: Install the Bottom Pivot 10
SECTION 10.2: Partially Install the Limit Arm 11
SECTION 10.3: Install the Full Open Sidelite onto the Upper Pivot and Bottom Pivot 11
SECTION 10.4: Complete Installation of the Limit Arm 11
SECTION 10.5: Adjust the Ball Detents 12

CHAPTER 11: INSTALL THE FIXED SIDELITE	12
SECTION 11.1: Secure the Fixed Sidelite to the Door Frame	12
SECTION 11.2: Install the Bottom Guide Assembly	13
SECTION 11.3: Install the Floor Bracket	14
CHAPTER 12: INSTALL THE SLIDE DOOR	14
SECTION 12.1: Secure Slide Door to Belt Clips	14
SECTION 12.2: Install Bottom Guides	15
SECTION 12.3: Secure the Bottom Guide Double Roller Assembly to the Slide Door (Fixed Sidelite)	16
SECTION 12.4: Adjust Rollers	16
SECTION 12.5: Adjust the Interlocks	17
SECTION 12.6: Threshold Maintenance	17
CHAPTER 13: INSTALL WEATHERING	18
CHAPTER 14: GLAZING	18
CHAPTER 15: ADJUSTMENTS	20
SECTION 15.1: Adjust the Ball Plunger	20
SECTION 15.2: Adjust Preload	20
SECTION 15.3: Correct Preload Misalignment	20
SECTION 15.4: Adjust the Breakout Magnet	21
SECTION 15.5: Units 54 Inches Wide (or greater) and/or over 200 Pounds	21
CHAPTER 16: TROUBLESHOOTING	22
SERVICE PARTS: LH KIT P/N M-01256; RH KIT P/N M-01253	23
SERVICE PARTS: FULL OPEN, 1175, NH,MED STILE: P/N A-00405	24
SERVICE PARTS: HEADER	25
SERVICE PARTS: FIXED SIDELITE	28
SERVICE PARTS: LEFT HAND FIXED SIDELITE	29
SERVICE PARTS: RIGHT HAND FIXED SIDELITE	30
SERVICE PARTS: SLIDE DOOR FOR FIXED SIDELITE	32
SERVICE PARTS: LEFT HAND SLIDE DOOR FOR FIXED SIDELITE	33
SERVICE PARTS: RIGHT HAND SLIDE DOOR FOR FIXED SIDELITE	34
SERVICE PARTS: FULL OPEN SIDELITE	37
SERVICE PARTS: FULL OPEN; LEFT HAND SWING SIDELITE	38
SERVICE PARTS: FULL OPEN; RIGHT HAND SWING SIDELITE	39
SERVICE PARTS: SLIDE DOOR FOR FULL OPEN	42

SERVICE PARTS: LEFT HAND SLIDE DOOR FOR FULL OPEN 43
SERVICE PARTS: RIGHT HAND SLIDE DOOR FOR FULL OPEN 44

CHAPTER 1: WARNING LABELS

Warning labels are universal and used to alert an individual of potential harm to one's self or to others. The following warning labels are listed in a hierarchy order that defines the most potential danger first, and the least potential danger last. Please refer to this page in the event that a warning label is displayed within this manual and further definition needs to be explained.

DANGER

Indicates potentially dangerous situations. Danger is used when there is a hazardous situation where there is a *high* probability of severe injury or death. It should not be considered for property damage unless personal injury risk is present.

WARNING

Indicates a hazardous situation which has *some* probability of severe injury. It should not be considered for property damage unless personal injury risk is present.

CAUTION

Indicates a hazardous situation which *may result in a minor injury*. Caution should not be used when there is a possibility of serious injury. Caution should not be considered for property damage accidents unless a personal injury risk is present.

Attention: A situation where material could be damaged or the function impaired.

Notice: Indicates a statement of company policy as the message relates to the personal safety or protection of property. Notice should not be used when there is a hazardous situation or personal risk.

Note: Indicates important information that provides further instruction.

CHAPTER 2: GENERAL SAFETY RECOMMENDATIONS

WARNING

Do not install, operate or service this product unless you have read and understand the General Safety Recommendations, Warning Labels, contained in this manual. Failure to do so may result in bodily injury, or property damage.

WARNING

Read, study and understand the installation and operating instructions contained in, or referenced in this manual before operating. If you do not understand the instruction, ask a qualified technician. Failure to do so may result in bodily injury, or property damage and will nullify all warranties.

DANGER

Disconnect all power to the junction box prior to making any electrical connections. Failure to do so may result in serious personal or fatal injury. When uncertain whether power supply is disconnected, always verify using a voltmeter.

DANGER

Do not place finger or uninsulated tools inside the electrical controller. Touching wires or other parts inside the enclosure may cause electrical shock, serious injury or death.

CAUTION

The Ground wire from the U30 Control 120 VAC Harness, and the Incoming 120 VAC Ground wire must be connected to the Ground screw located within the Swing door Header.

CAUTION

If the door appears broken or does not seem to work correctly, it should be immediately removed from service until repairs can be carried out or a qualified service technician is contacted for corrective action.

Notice: This manual, the owner's manual and all other associated manuals must be given to and retained by the purchasing facility or end user.

Notice: Wiring must meet all local, state, federal or other governing agency codes.

Notice: All electrical troubleshooting or service must be performed by qualified electrical technicians and must comply with all applicable governing agency codes.

Note: All Adjustments must be made with a small screwdriver. Do Not use a pencil.

Note: Do Not take shortcuts.

CHAPTER 3: SCOPE

SECTION 3.1: To the Installer

The purpose of this manual is to familiarize the installer and purchaser with the proper installation and operation of this system. It is essential that this equipment be properly installed and operational before the door is used by the public. It is the installer’s responsibility to inspect the operation of the entrance system to be sure it complies with any applicable standards. In the United States, ANSI Standard 156.10 covers the GT-1175 Slide Door System, and ANSI Standard Z97.1 covers glass installation. Other local standards or codes may apply. Use them in addition to the ANSI standard. The GT-1175 is listed with the Underwriters Laboratory and is identified as such on the label.

Instruct the building owners and operator on the essentials of the operation of the door and this device. The owner should follow these instructions to determine whether the door is operating properly and should immediately call for service if there is any malfunction. All installation changes and adjustments must be made by qualified, NABCO trained technicians.

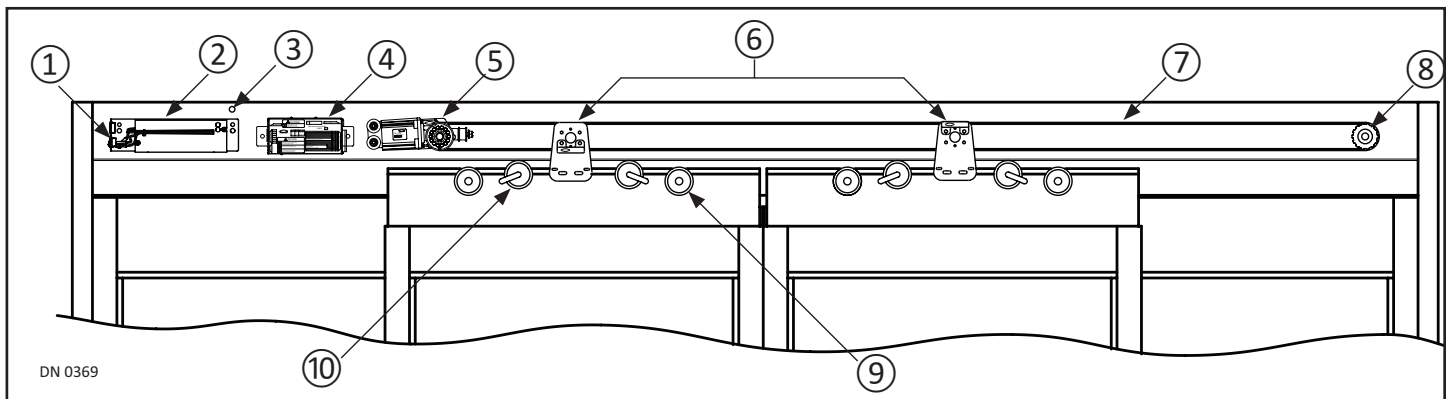
SECTION 3.2: Objective

The GT-1175 Standard Slide Door system is designed to be installed within a Rough Opening of a Building. The door function is controlled by the U30 Microprocessor Control. This control offers many features to accommodate most installation options. This manual offers step by step instructions.

CAUTION A pedestrian Door that does not have its glass sections installed at the Factory shall specify that the glazing material employed is to comply with the requirement in UL 325 par.30.5.1: “The glazing material in both fixed and sliding panels of all sliding doors and in all unframed swinging doors shall comply with the requirements in the Performance Specifications and Methods of Test for Safety Glazing Material Used in Buildings, ANSI Z97.1. Glazing material for other pedestrian doors shall also comply with ANSI Z97.1, except that single strength or heavier glass may be used for those portions of doors involving a glazed area of less than 1ft² (0.9 m²) and having no dimension greater than 18 in (457 mm)”.

CHAPTER 4: GETTING STARTED

SECTION 4.1: Header Components



1	Power Cut Off Switch	N/A	6	Belt Clip Assembly	A-00759
2	DS 150/U30 Power Supply	A-00717	7	Timing Belt 3/4" wide	M-01491
3	Handy Terminal Harness	M-01517	8	Idler Assembly	A-00042
4	U30 Microprocessor Control	V-00020	9	Anti Rise Roller	A-00163
5	DS 150 Operator	M-00395	10	Hanger Roller	A-00162

SECTION 4.2: Mechanical Configurations:

- ▶ Single Slide: (1) Slide Door that slides to the right or left with (1) Sidelite Panel.
- ▶ Bi-Part: (2) Slide Doors that slide apart from the center with (2) Sidelite Panels.

SECTION 4.3: Emergency Egress:

- ▶ Full Open: Both the Slide door and Swing Sidelite break out for emergency egress.
- ▶ Fixed Sidelite: Secured to the Header and Jamb Tube. Only the Slide door breaks out for emergency egress.

CHAPTER 5: INSPECT THE ROUGH OPENING

1. Ensure the Rough Opening is correct size.
 - ▶ The width of the Rough Opening should equal: **PACKAGE WIDTH + 1/4 INCH ON EACH SIDE**
 - ▶ The height of the Rough Opening should equal: **PACKAGE HEIGHT + 1/4 INCH**

Note: Make allowances for tile or other existing materials that may change the floor height.

2. Ensure the floor is level across the entire opening.
 - a. If used, check recessed threshold across the door opening.

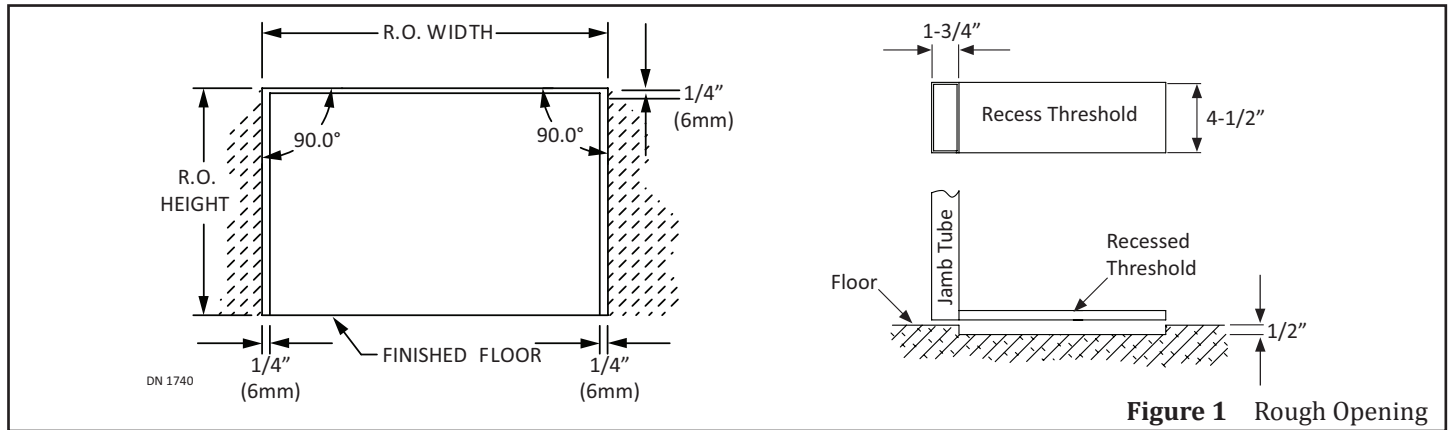
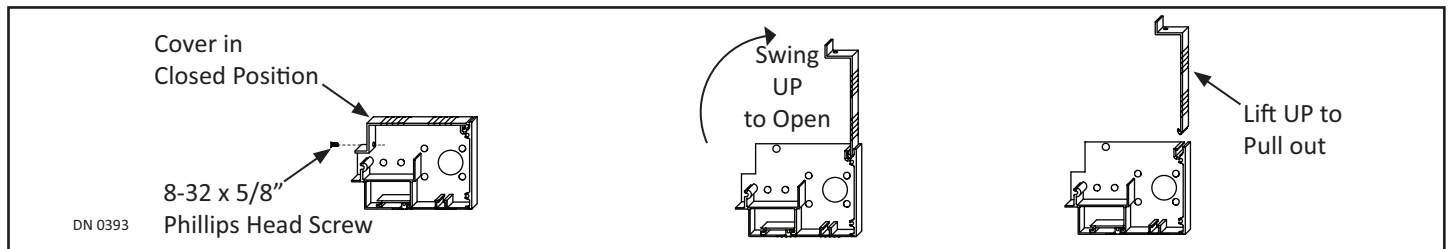


Figure 1 Rough Opening

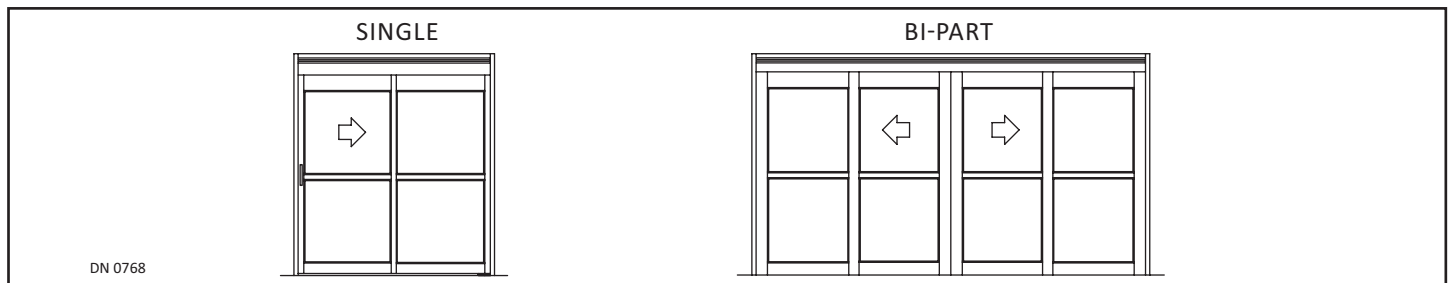
CHAPTER 6: ASSEMBLE DOOR FRAME

SECTION 6.1: Remove the Header Cover

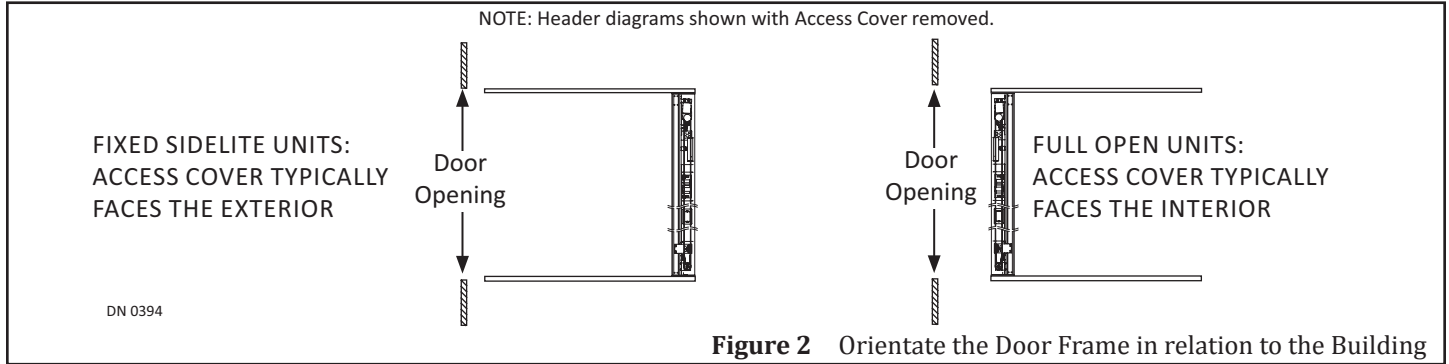
3. Remove (2) 8-32x0.625L Flat head screws. Remove Header Cover by lifting it up and then pulling it out.
4. Unplug the Sensor (if equipped). Remove Parts boxes and/or Parts bags from inside Header.



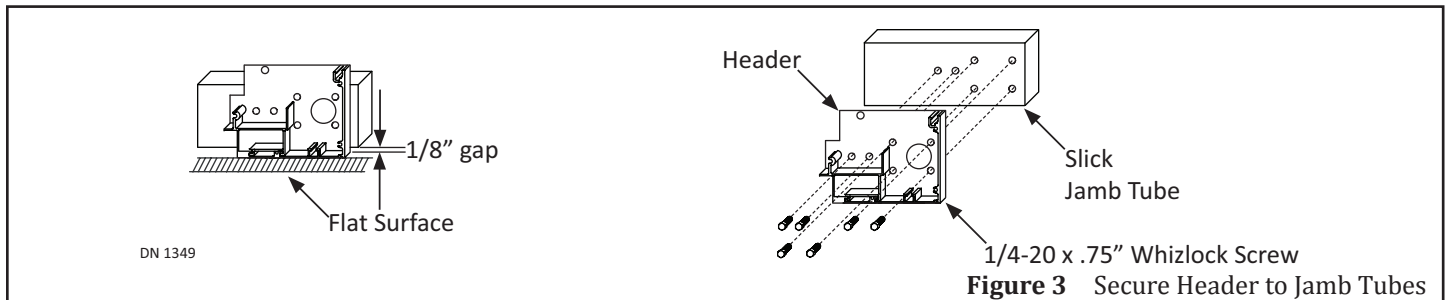
SECTION 6.2: Position the Door Frame



1. Position Jamb Tubes on either side of Header according to the instruction sticker located on each Jamb Tube, showing proper location and orientation.
 - a. Ensure the removable cover side of Header is facing up.
2. Orientate the Frame in relation to the building:
 - ▶ Fixed Sidelite: Removable Cover side of Header must face the Exterior side of building.
 - ▶ Full Open: Removable Cover side of Header must face the Interior side of building.

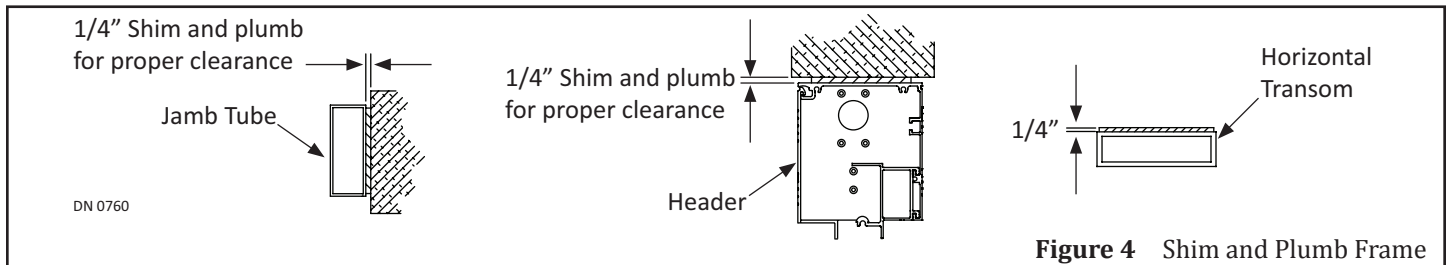


3. Secure the Header to each Jamb Tube with (6) 1/4-20 x .75 Whizlock screws.
 - a. If installed correctly there will be a 1/8 inch gap between the bottom of Jamb Tubes and the flat surface.



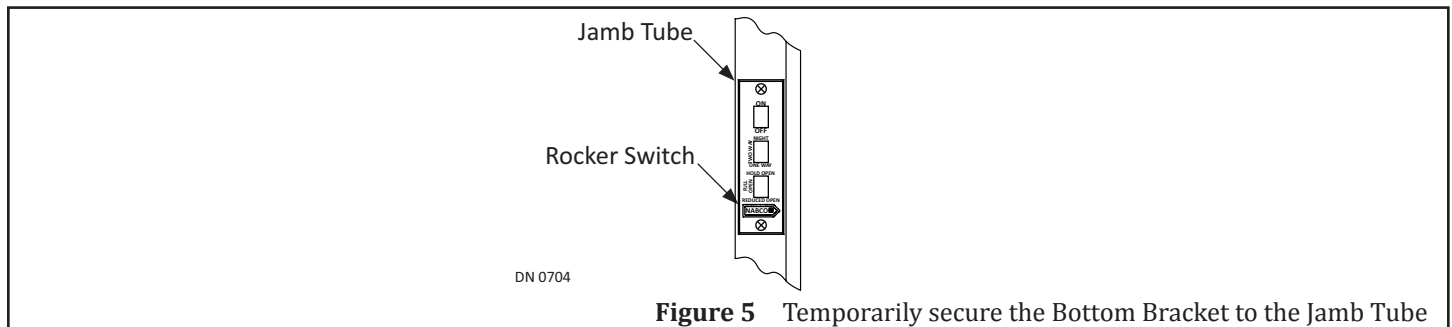
CHAPTER 7: SECURE DOOR FRAME TO BUILDING

1. Lift to position the assembled Frame into the rough opening.
 - a. To prevent electrical interference for the 120 Vac Line, always route 120 Vac Power through the Header Endcap that is opposite to the controller and motor/operator.
 - b. Please refer to "Model GT 1175 Electrical Installation Manual"; P/N C-00198 for detailed information.
2. Shim and Plumb Jamb Tubes in both planes to ensure the rough opening allows a 1/4 inch clearance. Shim and plumb the Header or the Transom Horizontal at the top to ensure the rough opening allows a 1/4 inch clearance.

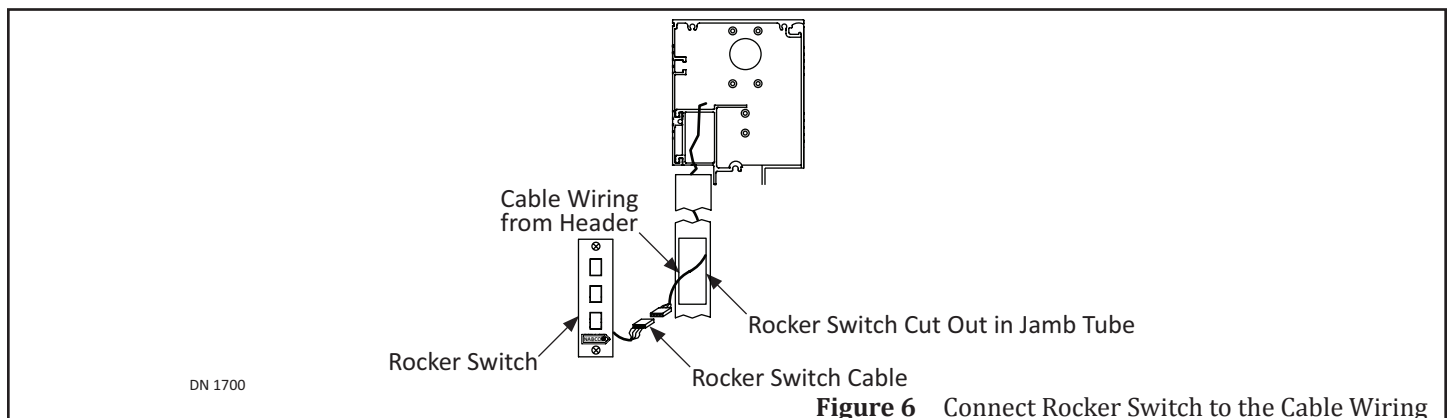


CHAPTER 8: WIRE THE ROCKER SWITCH

1. Remove the Rocker Switch and (2) screws from the Jamb Tube.



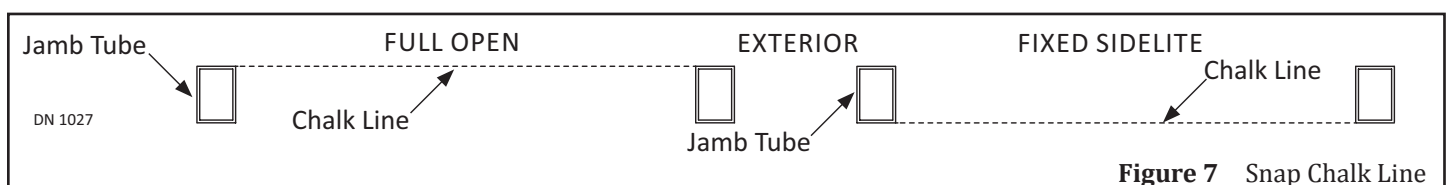
2. There is approximately (2) feet of Cable Wiring connected to the Main Harness inside the Header. Withdraw the Cable Wiring through a hole at the bottom Lip of Header. Continue to route the Cable Wiring through the top of Jamb Tube, then down to where the Rocker Switch was removed.
3. Pull the Cable Wiring through the cut out. Connect the Cable Wiring to the Rocker Switch Harness.
4. Secure the Rocker Switch to the Jamb Tube with (2) screws.



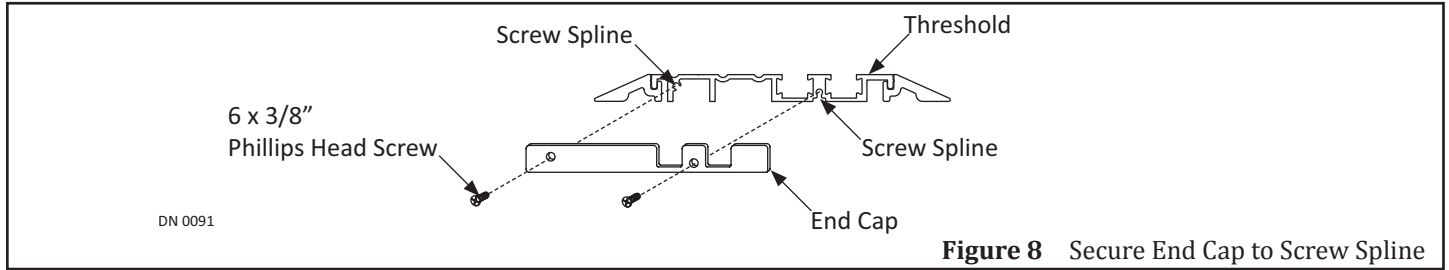
CHAPTER 9: INSTALL THE THRESHOLD

Attention: Lay down Threshold so the Channels are located on the side of Slide Door

- ▶ Requesting Filler Inserts and Threshold Bumpers to be installed at the NABCO Factory is optional. To order Filler Inserts and/or Threshold Bumpers, please contact customer service at (877) 622-2694.
 - ▶ For Single Slide Doors, (1) piece of threshold is shipped. For Full Open Slide Doors, (2) pieces of threshold are shipped.
1. With a 3/16 inch masonry drill bit, drill through the Threshold and into the floor no less than 1-1/2 inch deep; in compliance with Dade County Hurricane specifications for fastening the threshold, as specified on the drawings located in Chapter 7.
 2. On the same side of Door Frame where the Sidelite will be installed, snap a chalk line on the floor from Jamb to Jamb.



3. Secure (1) End Cap to each screw spline (exposed end of the Threshold) with (2) 6 x 3/8 inch Phillips Head screws.
 - a. Use a 1/8 inch diameter drill bit to make the screw spline bigger if the Threshold End Cap can not be properly secured with the screws provided.



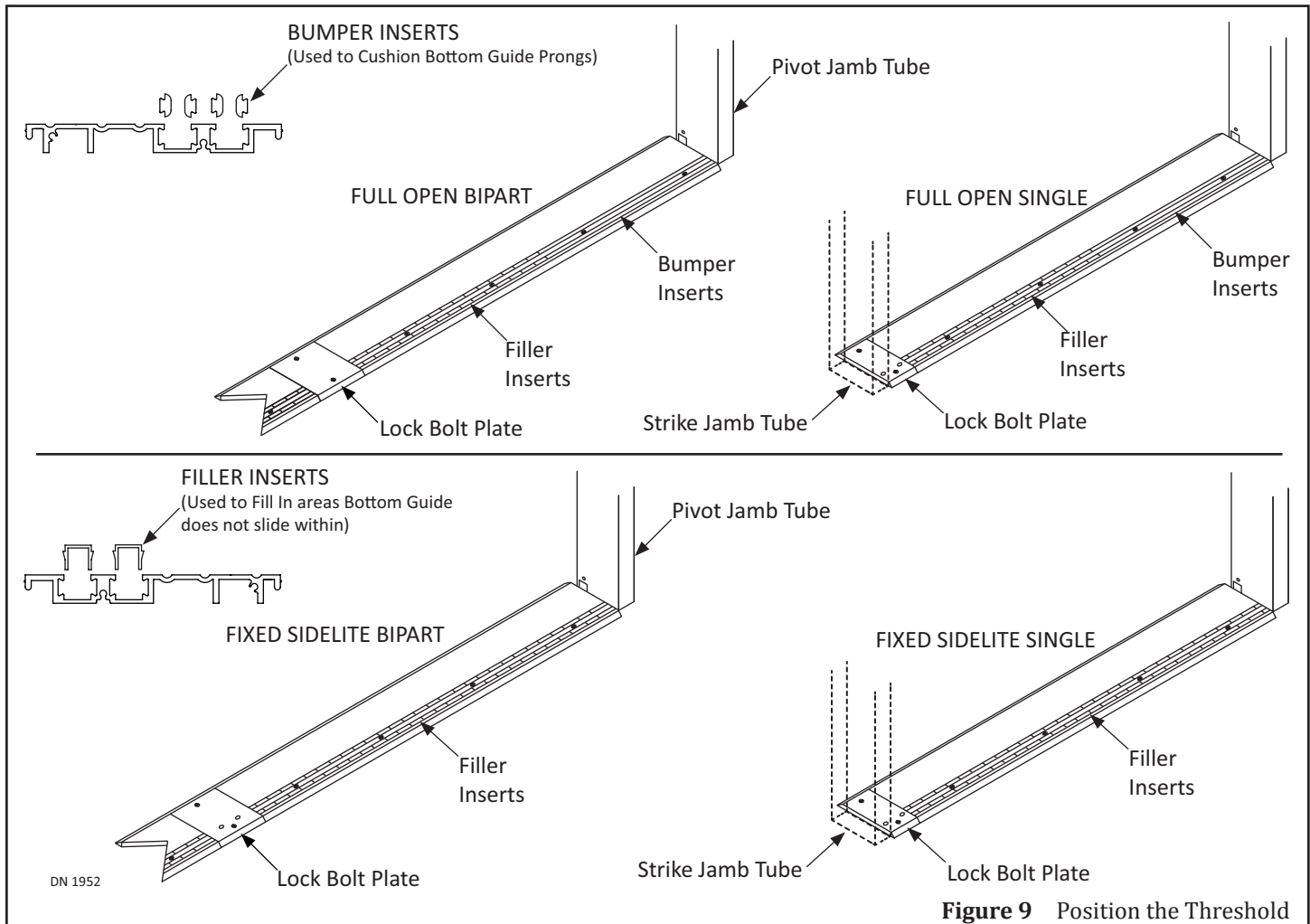
4. Lay down the Threshold:

► Single Slide Doors

1. Go to the Strike side of Door Frame.
2. Butt the Bolt Lock Plate to the Strike Jamb Tube.
 - a. Ensure the side of Bolt Lock Plate with (3) screw holes is on the same side the Slide Door will be installed.
3. Secure the Bolt Lock Plate to the Floor.
4. Lay down the Threshold between the Bolt Lock Plate and the Pivot Jamb Tube.
 - a. Threshold must be laid down so the Channels are located on the side of Slide Door.

► Bi-Part Doors

1. Go to the center of the Door Frame.
2. Install the Bolt Lock Plate between both Strike Stiles (on the Slide Doors).
3. Lay down the Threshold on either side of the Bolt Lock Plate and Jamb Tubes.
 - a. Threshold must be laid down so the Channels are located on the side of Slide Door.



5. Ensure the Threshold is centered to Jamb Tubes, and the full length is flush with the chalk line.
 - a. Check Threshold location with Plumb Bob from the Header. It should be 1/8" inset from the Header.

Attention: Do Not center Threshold to Header. Doing so will cause misalignment.

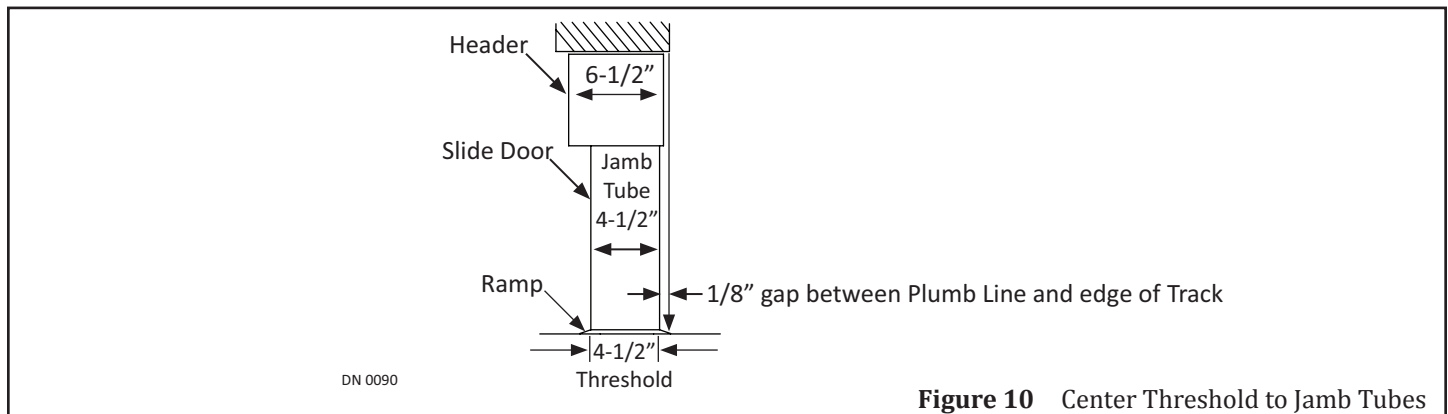


Figure 10 Center Threshold to Jamb Tubes

6. Secure the track to the floor using 1/4" x 2-3/4" ITW Buildex PFH Tapcons with a minimum of 1-3/4" embedment in 3500 psi concrete. Fasteners not provided by NABCO.

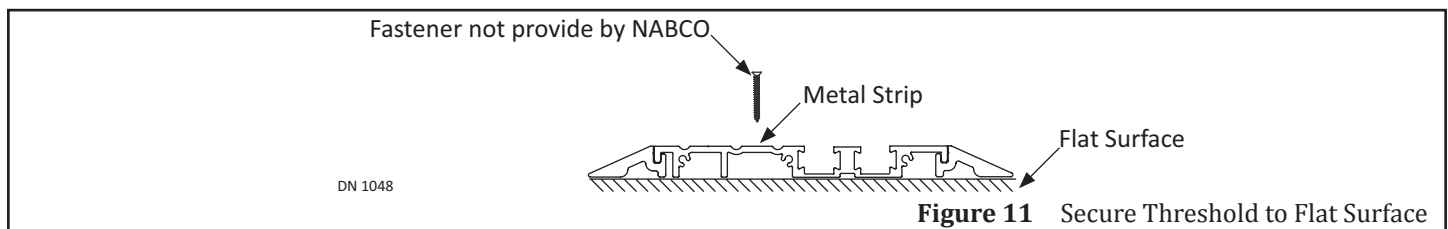


Figure 11 Secure Threshold to Flat Surface

CHAPTER 10: INSTALL THE FULL OPEN SIDELITE

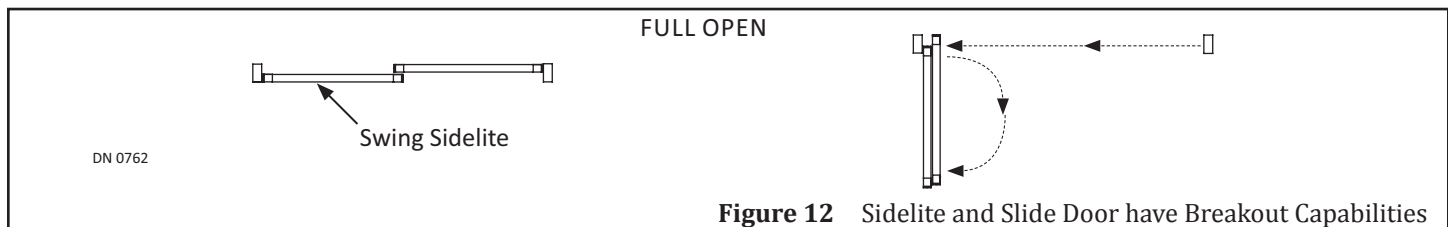


Figure 12 Sidelite and Slide Door have Breakout Capabilities

SECTION 10.1: Install the Bottom Pivot

1. Go to the bottom of the Pivot Jamb Tube. Insert the Bottom Pivot into the hole.
2. Secure the Bottom Pivot to the Pivot Jamb Tube with (1) 1/4-20 x 1/2 inch Phillips Head screw.
3. Go to the screw hole located in front of the Barrel.
4. Secure the Floor Pivot to the Threshold with (1) 1/4-20 x 1/2 inch Phillips Head Screw.
5. Insert (1) 1/4 x 2-3/4 inch Phillips Head Screw inside the Barrel. Tighten.
6. Cap the Barrel with (1) Bushing.

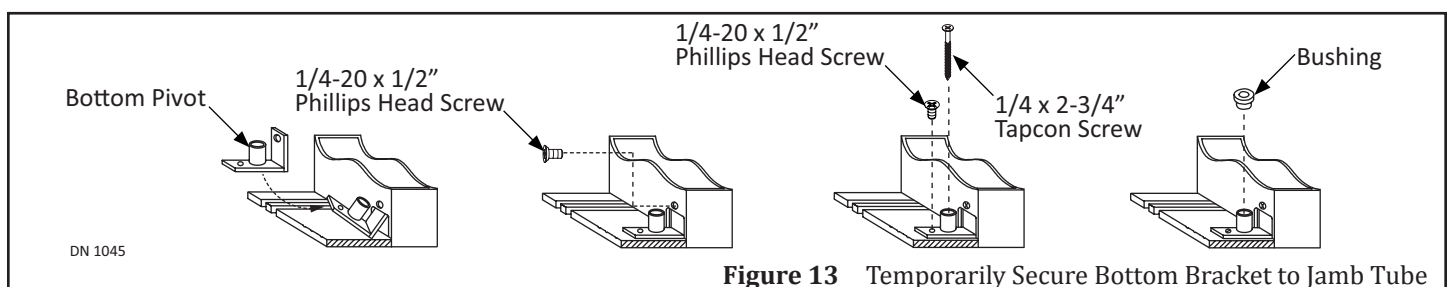


Figure 13 Temporarily Secure Bottom Bracket to Jamb Tube

SECTION 10.2: Partially Install the Limit Arm

1. Slide (1) .255 ID x .900 OD x .125 THK Nylon Washer onto (1) 1/4-20 x 1 inch Phillips Head Screw.
2. Go underneath the Limit Arm. Insert the Washer and Screw up into the screw hole.
3. Go to the pre-drilled screw hole located at the bottom of Header (on the Pivot Side of Sidelite).
4. Secure the Limit Arm to the Header by tightening the Screw.
 - a. Loosely tighten (just enough to keep the Screw assembly from falling out of the hole).
 - b. Limit Arm installation is completed after the Swing Sidelite is fully installed.

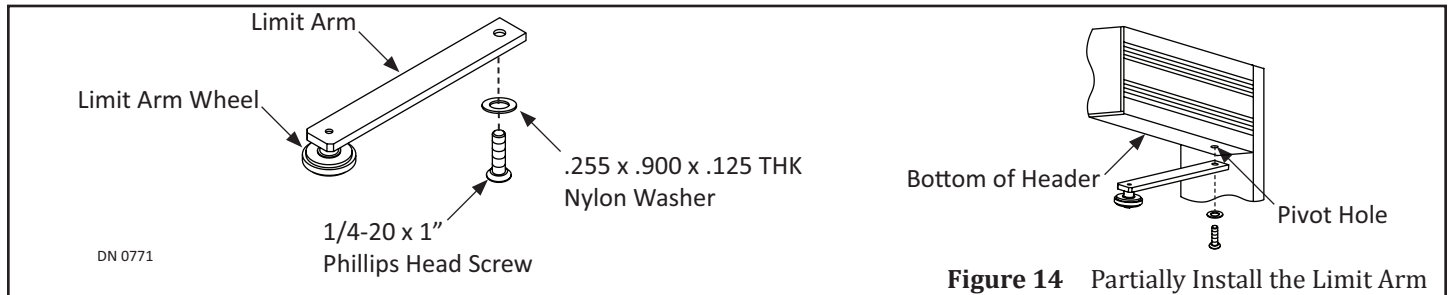


Figure 14 Partially Install the Limit Arm

SECTION 10.3: Install the Full Open Sidelite onto the Upper Pivot and Bottom Pivot

1. Locate the Bottom Pivot inside the Pivot Stile (at the bottom). Insert the Bottom Pivot into the Floor Pivot Barrel.

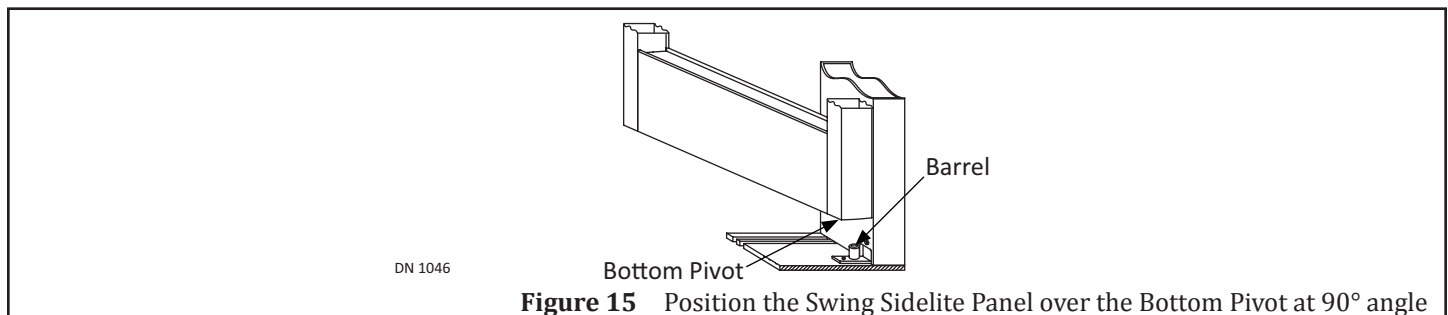


Figure 15 Position the Swing Sidelite Panel over the Bottom Pivot at 90° angle

2. Go to the Top Pivot that is preinstalled inside the Pivot Stile. Push the Top Pivot down by pressing on the Spring Pin.
3. Align the Top Pivot with the Pivot Hole located at the bottom of Header.
4. Release the Spring Pin to allow the Top Pivot to snap up into the hole. Ensure the Top Pivot fully engages the hole.
 - a. If necessary, use a flathead screwdriver to lift up on the Spring pin until the Pivot Pin is fully seated within the hole.
 - b. Ensure not to pinch Cable Wiring.

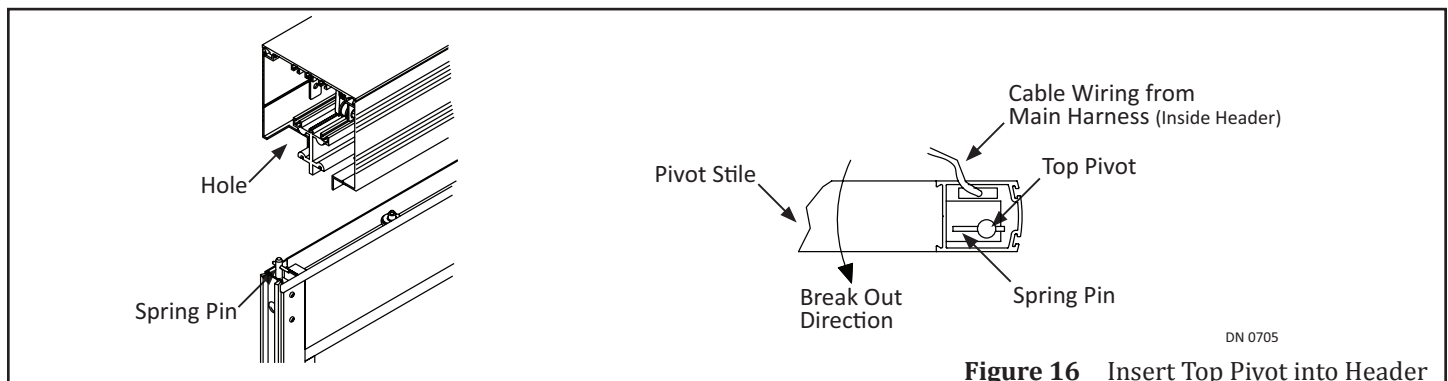


Figure 16 Insert Top Pivot into Header

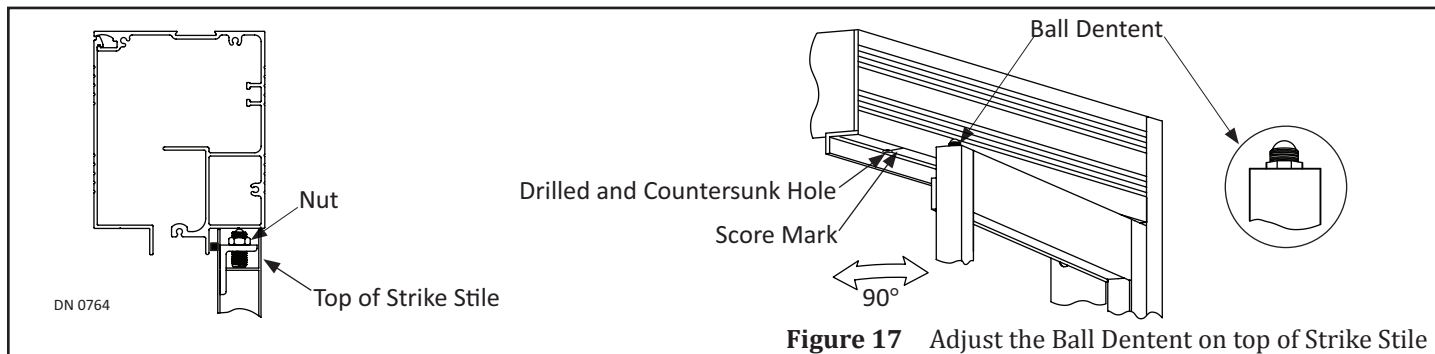
SECTION 10.4: Complete Installation of the Limit Arm

1. Swing open the Swing Sidelite 90 degrees. Align and then rest the Limit Arm inside the Top Rail.
2. Open the Swing Sidelite all the way. Tighten (1) 1/4-20 x 1 inch Phillips Head screw to secure the Limit Arm to the Header.

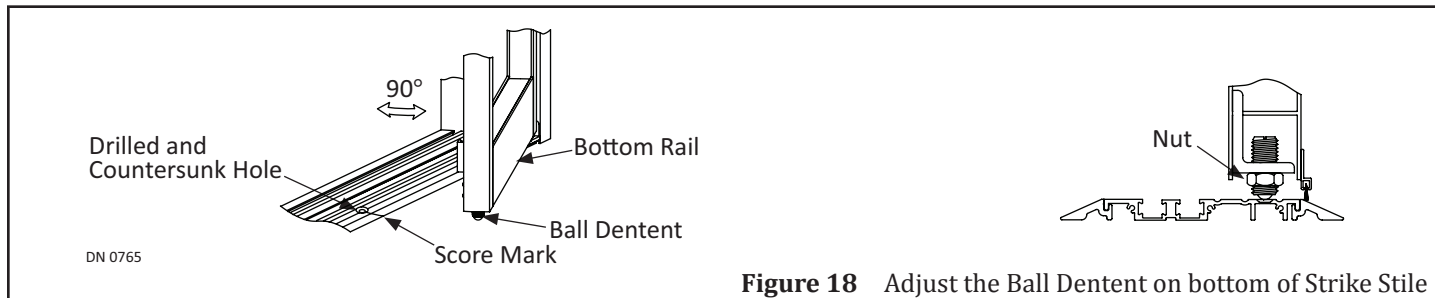
SECTION 10.5: Adjust the Ball Detents

Note: Breakout resistance for Ball Detents must meet ANSI Standard A156.10 or Local Codes.

1. Go to the top of the Strike Stile. With a 15/16" Open End wrench, loosen the Nut to raise or lower the Ball Detent so it has light contact with the Bottom of Header.
2. Open and close the Swing Door several times to score the surface on the Bottom of Header locate and mark where the Score intersects the center groove.
3. With a 1/4 inch drill bit, drill a screw hole through the Bottom of Header. Countersink the screw hole 3/8 inch x 82°.

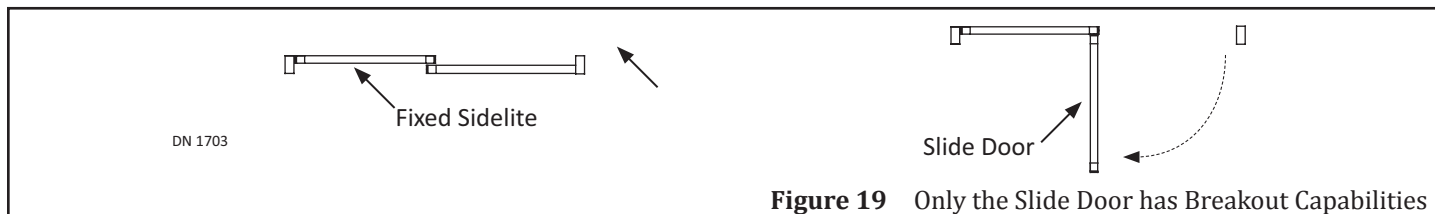


4. Go to the bottom of the Strike Stile. With a 15/16" Open End wrench, loosen the Nut to raise or lower the Ball Detent so it has light contact with the Threshold.
5. Open and close the Swing Door several times to score the surface on the Threshold. Locate and mark where the Score intersects the center groove.
6. With a 1/4 inch diameter drill bit, drill a hole through the Threshold (Just deep enough for the Ball Detent to fit within). Countersink the screw hole to be 1/4 inch x 82°.



7. Close and then break open the Swing door to test fit for both Ball Detents.
 - a. To adjust the fit, increase the size of the hole and countersink.
 - b. Do Not over-drill the hole. If hole is overdrilled the Threshold will need to be replaced.
 - c. For additional travel remove the Ball Detent Bracket to lower or raise the Ball Detent.

CHAPTER 11: INSTALL THE FIXED SIDELITE



SECTION 11.1: Secure the Fixed Sidelite to the Door Frame

1. Locate (2) Cut Outs on the side of the Pivot Stile. Align and then slide the Fixed Sidelite until (2) Mounting Brackets (preinstalled on the Pivot Jamb Tube) can be seated inside each Cut Out.

- Slide the Fixed Sidelite towards the Interior of the Building until both Mounting Brackets butt up against the inside wall of the Pivot Stile.

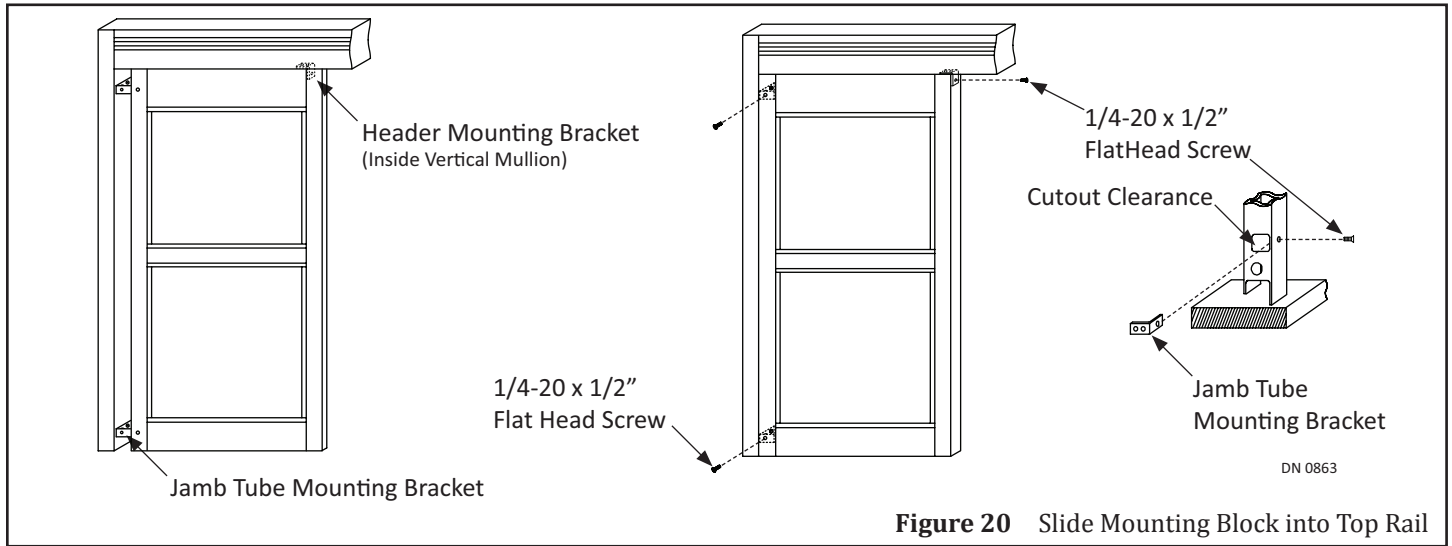


Figure 20 Slide Mounting Block into Top Rail

- Locate (1) cut out at the top of Strike Stile. Align and then slide the Fixed Sidelite until (1) mounting bracket (preinstalled under the Bottom Lip of Header) can be seated inside the Cut Out.

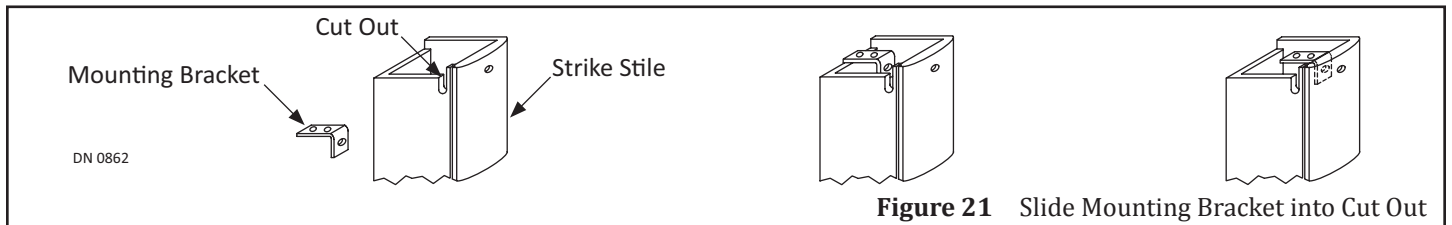


Figure 21 Slide Mounting Bracket into Cut Out

- Snap a chalk line between Jamb Tubes in front of Sidelite Panel. If the Sidelite Panel runs parallel to chalk line, it is square.
- Secure the Fixed Sidelite Panel to all (3) Mounting Brackets with 1/4-20 x 1/2 inch Flat Head Screws.

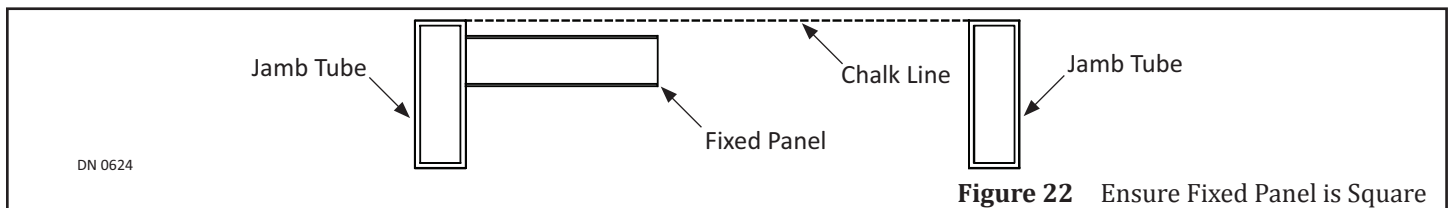


Figure 22 Ensure Fixed Panel is Square

SECTION 11.2: Install the Bottom Guide Assembly

- Go to the bottom of Strike Stile. Remove the Bottom Guide Cover Plate.

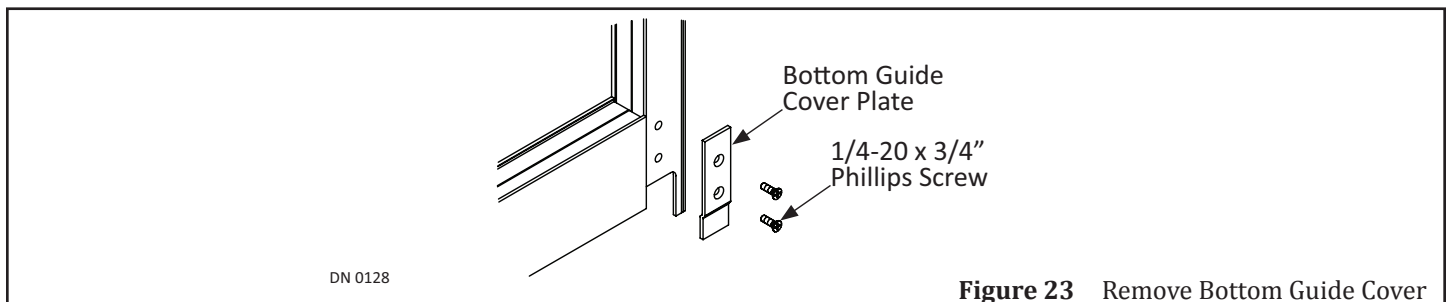


Figure 23 Remove Bottom Guide Cover

- Install the Bottom Guide Double Roller Assembly by sliding (2) rollers into the Bottom Rail so the Bracket sticks out from underneath (in direction of where the Slide door is to be installed).

3. Use the Bracket to slide the Bottom Guide Double Roller Assembly towards the Pivot Stile.
4. Replace the Cover Plate.

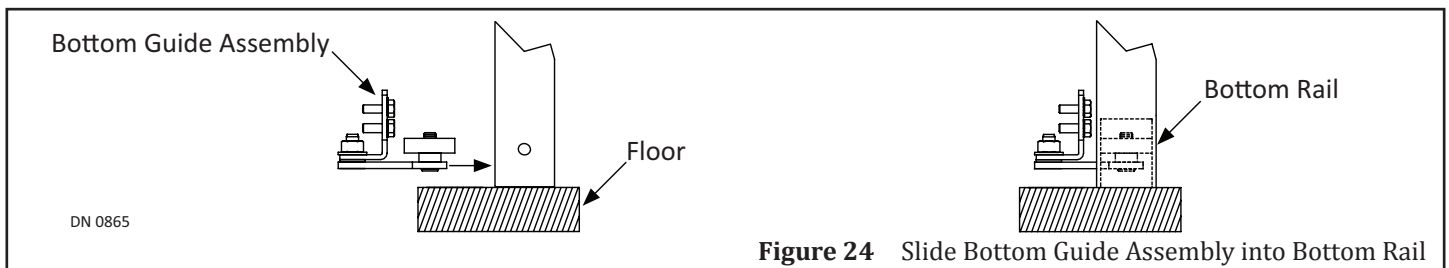


Figure 24 Slide Bottom Guide Assembly into Bottom Rail

SECTION 11.3: Install the Floor Bracket

1. Go to the bottom of the Strike Stile. Insert the Floor Bracket inside the Bottom Rail so the bottom plate portion sticks out from underneath (in direction of where the Slide door is to be installed).
2. Close the Slide Door. Adjust the Fixed Panel for weathering gap. Adjust the Slide Door for rocking.
3. Secure the upper plate portion of the Floor Bracket to the side of Strike Stile with (1) 1/4-20 x 1/2 inch Phillips Head screw.
4. Use the Floor Bracket as a template to drill (2) screw holes for #14 x 1-1/4 inch Flathead Tapcon screws.
5. Secure the Floor Bracket to the floor with (2) #14 x 1-1/4 inch Flathead Tapcon screws. Replace the Cover Plate.

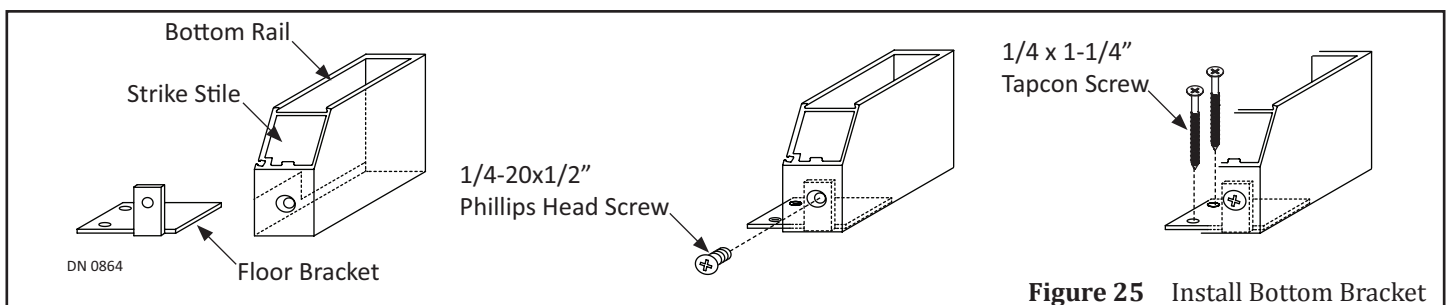


Figure 25 Install Bottom Bracket

CHAPTER 12: INSTALL THE SLIDE DOOR

SECTION 12.1: Secure Slide Door to Belt Clips

CAUTION Do not test Breakout until all adjustments are made and doors are secured.

1. Cover the Sidelite Panel with cardboard on the side that will face the Slide door.

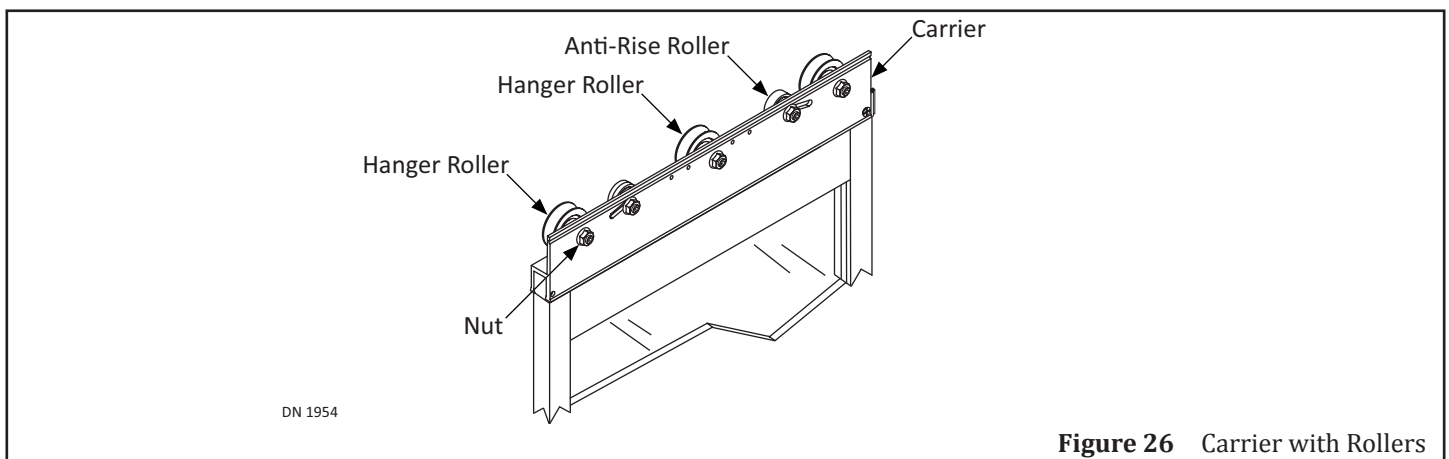


Figure 26 Carrier with Rollers

CAUTION Do not rotate the Roller Axle counter-clockwise. Doing so will unthread the Axle from the Roller Assembly.

- Go to the Carrier on top of Slide Door. Loosen (1) 7/16-20 Whiz Lock Nut on each Roller by inserting (1) 7/32" Allen wrench into the exposed end of a Roller Axle. Hold the 7/32 inch Allen wrench in place to keep the Roller Axle stationary. At the same time, loosen (1) 7/16-20 Whiz Lock nut with a 15/16 inch Open End Wrench.

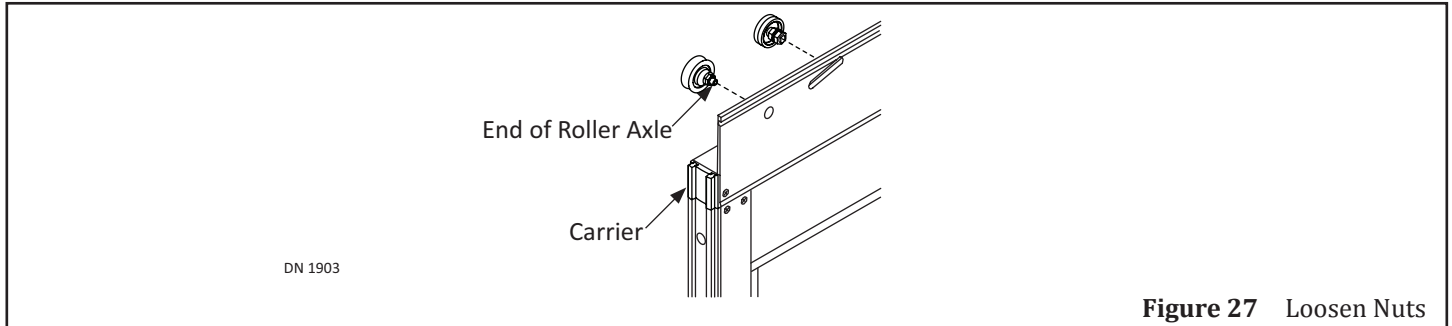


Figure 27 Loosen Nuts

- To make it easier for rollers to "catch onto the track", slightly tilt and lift the Slide Door into the Header, and onto the Track

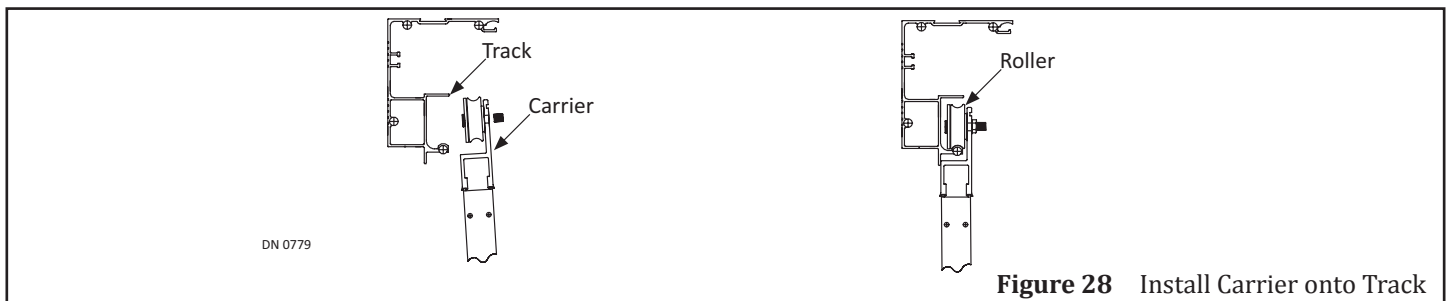


Figure 28 Install Carrier onto Track

- Secure the Belt Clip to the Carrier with (2) 1/4-20 x 3/4 inch Whiz-Lock screws.

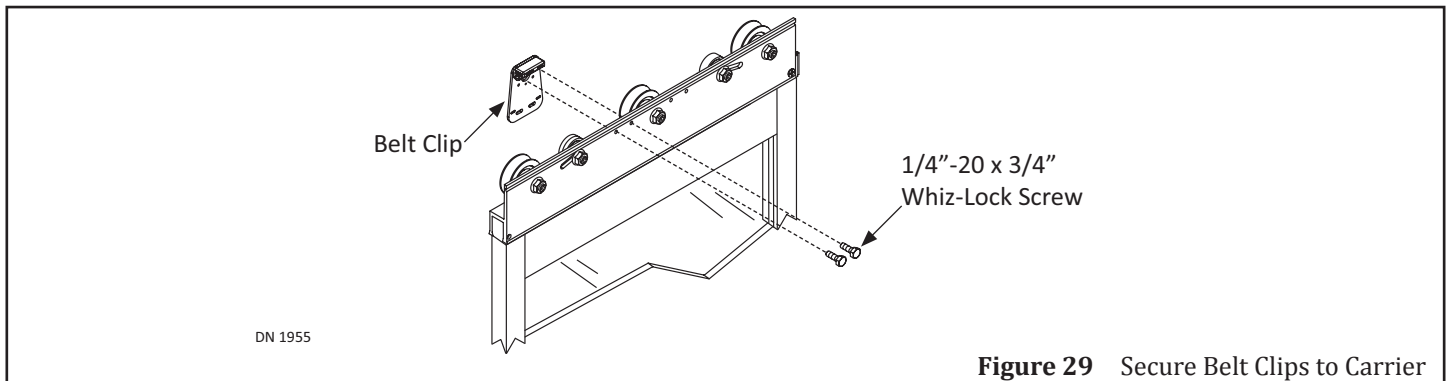


Figure 29 Secure Belt Clips to Carrier

SECTION 12.2: Install Bottom Guides

12.2.1 Insert Bottom Guide into the Threshold (Full Open Sidelite)

FOR FIXED SIDELITE UNITS SKIP TO SUBSUBSECTION SECTION 12.3

- Locate the Bottom Guide Assembly that was preinstalled inside the Slide Door Strike Stile.
- Lift up the Prongs until the Bottom Guide is directly above the Guide Channels. Drop the Prongs into the Guide Channels.

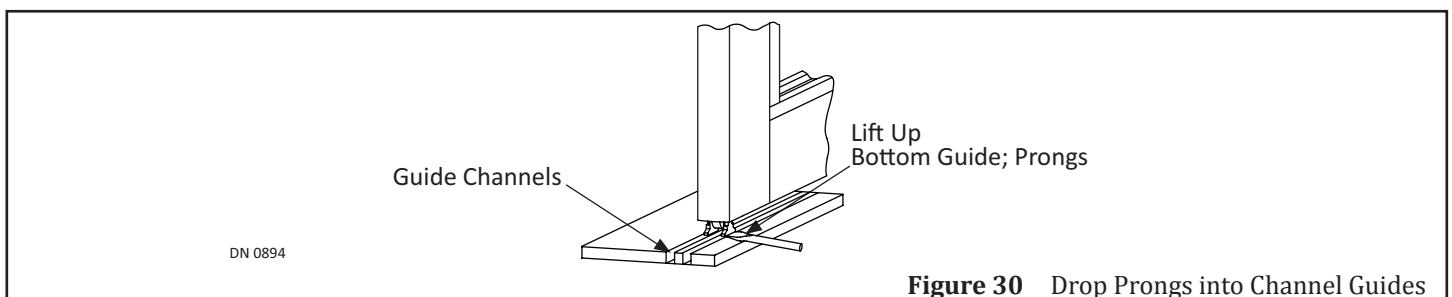
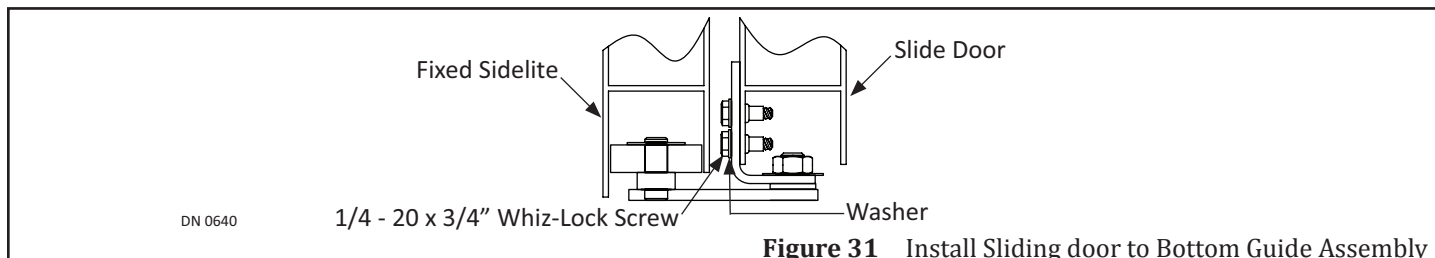


Figure 30 Drop Prongs into Channel Guides

SECTION 12.3: Secure the Bottom Guide Double Roller Assembly to the Slide Door (Fixed Sidelite)

FOR FULL OPEN UNITS SKIP TO SECTION 12.4

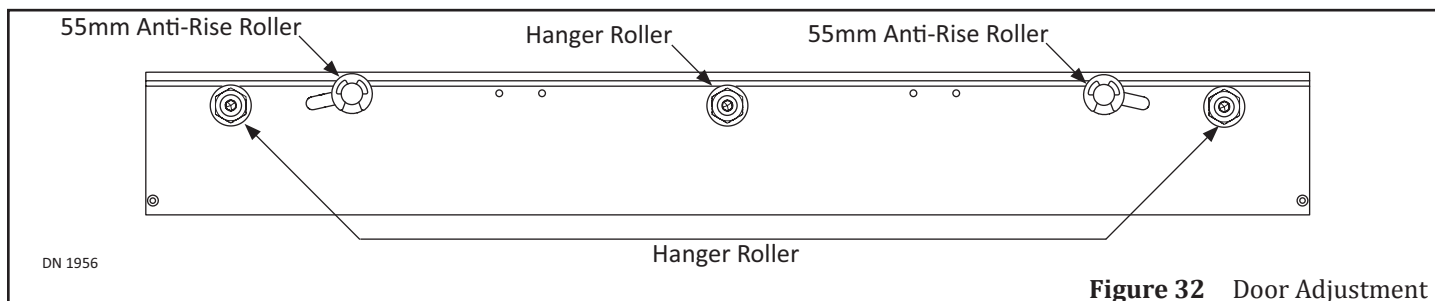
1. Go to the Bottom Rail on the Fixed Sidelite. Locate the Bracket that should be sticking out from underneath.
2. Slide the Pivot Stile (on Slide Door) onto the Bracket.
3. Support the weight of the Fixed Sidelite. Breakout the Slide door to Full Open position.
4. Secure the Bracket to the Pivot Stile with (2) 1/4 - 20 x 3/4 inch Whiz-Lock screws.



SECTION 12.4: Adjust Rollers

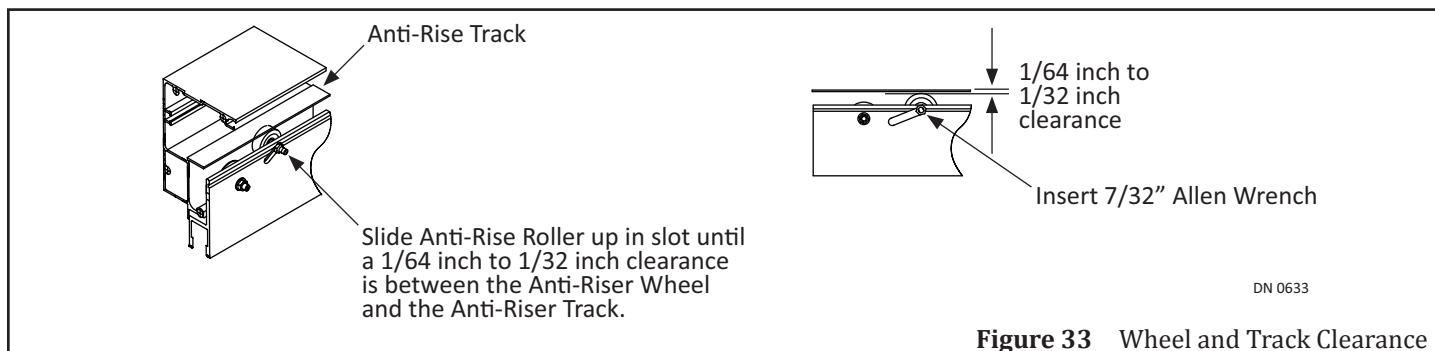
12.4.1 Hanger Rollers

1. Raise or lower the Slide door by turning the Axle clockwise with a 15/16" Open End Wrench.
 - a. The appropriate gap between the Bottom Rail and floor is between 11/16 inch to 15/16 inch; with the nominal gap being 7/8 inch.
2. Ensure the Leading Edge of the Slide door and Header are parallel.



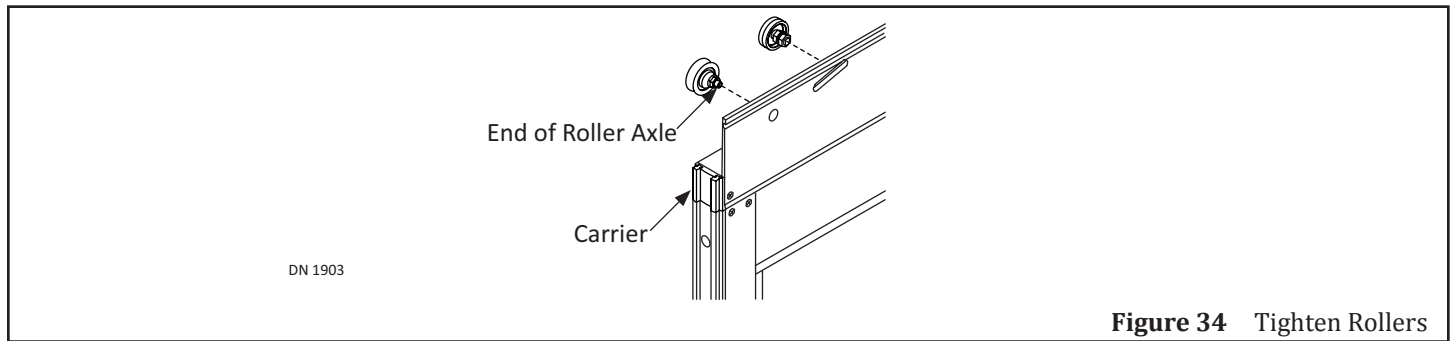
12.4.2 Anti Rise Rollers

1. Loosen (2) Anti-Rise Rollers located towards the middle of the Carrier.
2. Slide the Anti-Rise Roller up or down within the slot until there is 1/64 inch to 1/32 inch gap between the Roller Wheel and the Top Track. The Gap should be about the same thickness as a credit card.



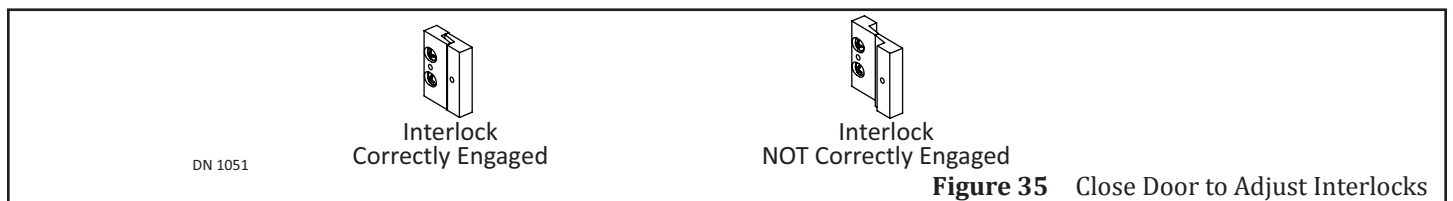
12.4.3 Tighten Rollers

1. Hold the 7/32 inch Allen wrench in place to keep the Roller Axle stationary. At the same time, tighten each (1) 7/16-20 Whiz Lock nut with a 15/16 inch Open End Wrench.



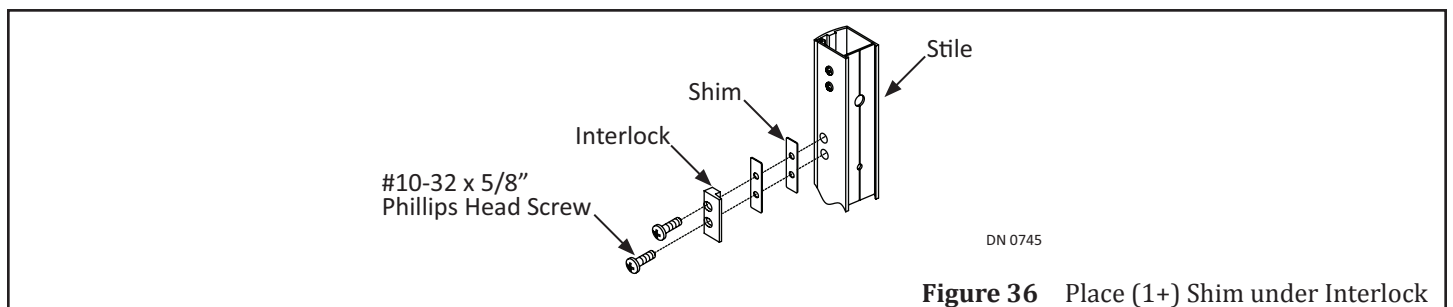
SECTION 12.5: Adjust the Interlocks

1. Manually close the Slide Door. Ensure the Interlocks are properly engaged. If not, adjust the Interlocks.



Note: Adjust Interlocks so there is no contact between the Rail and the Interlock. Any contact will cause the Slide Door to bind.

2. Obtain (1) parts bag containing (4) Shims that was taped to the Slide Door at the NABCO factory.
3. Remove the Interlock on the Sidelite, Strike Stile.
4. Place (1+) shims directly underneath the Interlock. Line up the screw holes.
5. Secure the Interlock assembly to the Sidelite Strike Stile with (2) #10-32 x 5/8 inch Phillips Head Screws.
 - a. Loosely tighten the mounting screws just enough to keep the Interlock assembly from falling out of place.

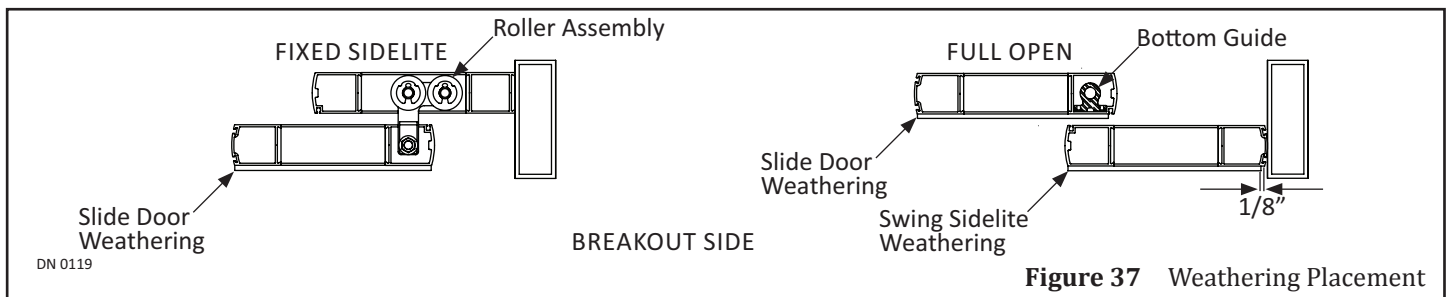


6. Go to the Interlock located on the Pivot Stile of the Slide Door. Loosen the mounting screws.
7. Manually close the Slide Door. The loosened Interlocks will automatically adjust to proper position.
8. Lock the Interlock and 1+ Shim in place by tightening the #10-32 x 5/8 inch Phillips Head Screws.

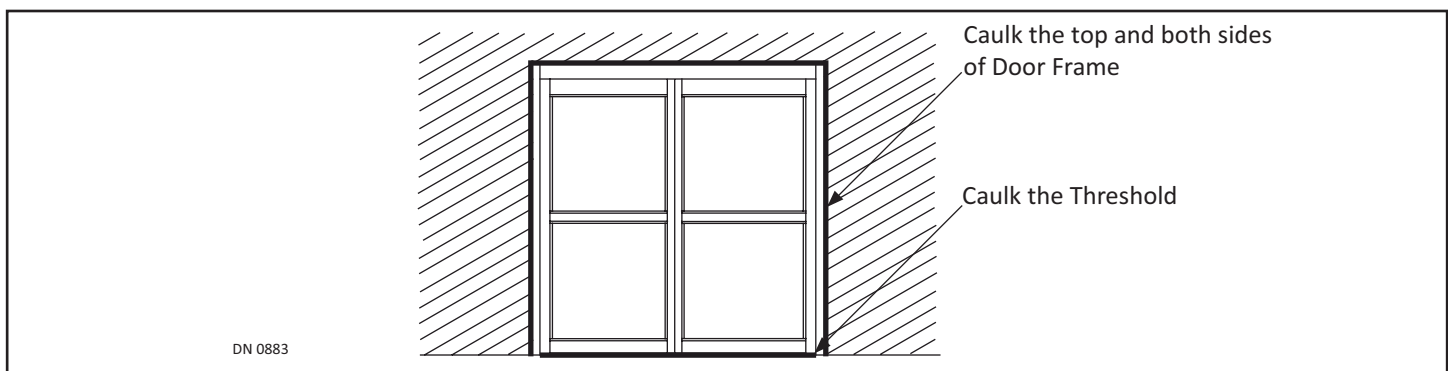
SECTION 12.6: Threshold Maintenance

1. Check for wear of Bottom Guide Roller and Bumpers inserted within Threshold Channels.
2. Listen for squeaking/grinding noise.
3. Look for dirt/debris/excessive build-up. If dirt/debris/excessive build-up is found.
 1. Vacuum to remove loose material.
 2. Wipe off the Threshold.
 3. Use (1) slotted Screw Driver to remove dirt/debris and/or excessive build-up located within Threshold Channels.
4. Inspect weekly and daily during winter as snow and ice can build up.

CHAPTER 13: INSTALL WEATHERING



1. Install Brush by sliding it into the Brush Holder:
 - ▶ Fixed Sidelite: Secure the Brush Holder against the Bottom Rail of Slide door with (3) #6 x 1/2 inch self tapping screws.
 - ▶ Full Open
 1. Secure the Brush Holder against the Bottom Rail of Swing Sidelite with (3) #6 x 1/2 inch self tapping screws.
 - a. It is recommended to leave at least a 1/8 inch gap between the Edge of the Pivot Stile and the Brush Holder, while allowing 1/8 inch Vinyl to extend past the Brush Holder so the gap is filled.
 2. Breakout the Swing Sidelite. Secure the Brush Holder against the Bottom Rail of Slide door with (3) #6 x 1/2 inch self tapping screws.
2. Ensure the entire Door Frame is properly secured to the Rough Opening.
3. Apply caulking bead between the Door Frame and Rough Opening (inside and outside).
4. Apply caulking bead to the Threshold at the bottom of Door Frame.



CHAPTER 14: GLAZING

CAUTION

Use caution when moving and installing the glass panels. These panel are constructed with tempered glass. Any sharp objects that come in contact with the glass may cause the glass to craze. NABCO Entrances, Inc. is not responsible for broken glass.

Attention: Per Chapter 24 of the International Building Code (IBC), all glass must comply with ANSI Standard Z97.1 (Glass and Settings Blocks are not provided by NABCO).

Note: In accordance with standard glazing practices, NABCO recommends Cross Blocking to maintain square door panels. A panel that is cross blocked will not sag.

Note: The Snap Base and Glazing Gaskets are preinstalled at the NABCO Factory.

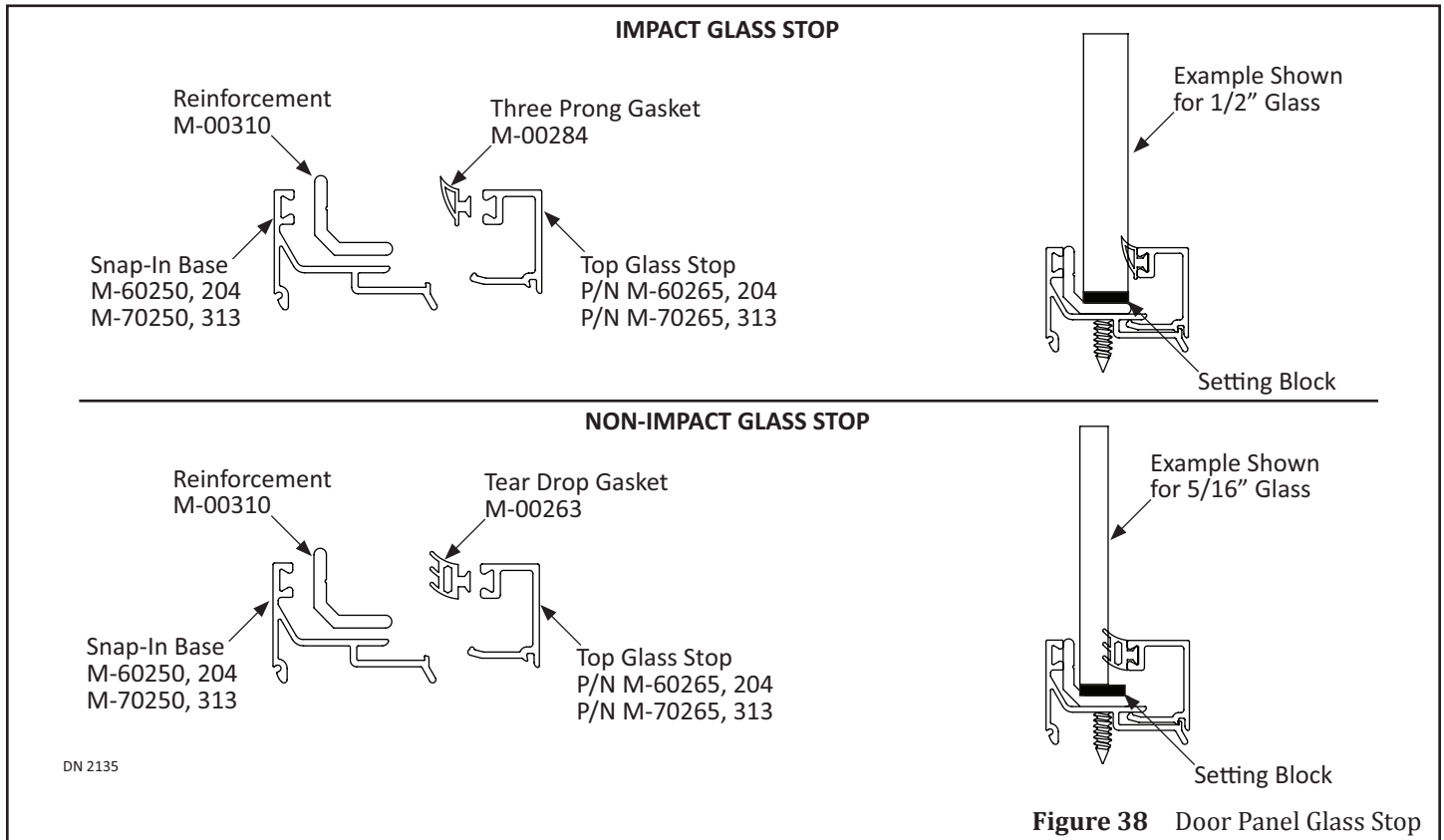
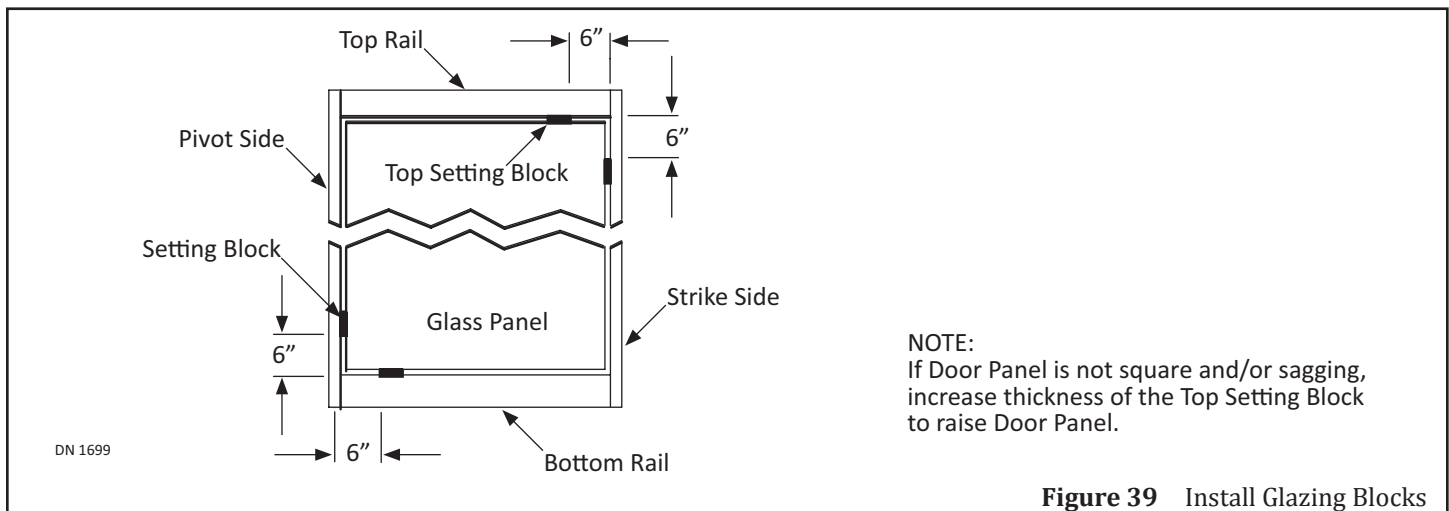


Figure 38 Door Panel Glass Stop

1. Go to the Lead side of door panel at the TOP.
 1. Measure (6) inches from the Bottom edge of Top Rail, towards the Pivot side of Door Panel. Mark that spot.
 2. Measure (6) inches from the Top Corner of the Lead Edge down to the bottom of the Door Panel. Mark that spot.
2. Go to the PIVOT side of door panel at the BOTTOM.
 1. Measure (6) inches from the Top edge of Bottom Rail, up to the top of Door Panel. Mark that spot.
 2. Measure (6) inches from the Center of Pivot, towards the Lead side of Door Panel. Mark that spot.
3. Place (1) Setting Block (not provided by NABCO) at marked spots.
4. Measure diagonals to check the squareness of the Door Panel.
5. Snap the Top Glass Stop onto the Snap-In Base.



NOTE:
If Door Panel is not square and/or sagging, increase thickness of the Top Setting Block to raise Door Panel.

Figure 39 Install Glazing Blocks

CHAPTER 15: ADJUSTMENTS

SECTION 15.1: Adjust the Ball Plunger

1. Breakout the Slide door. Go inside the Top Rail (closest to the Strike Stile). Remove the Panic Catch Assembly.

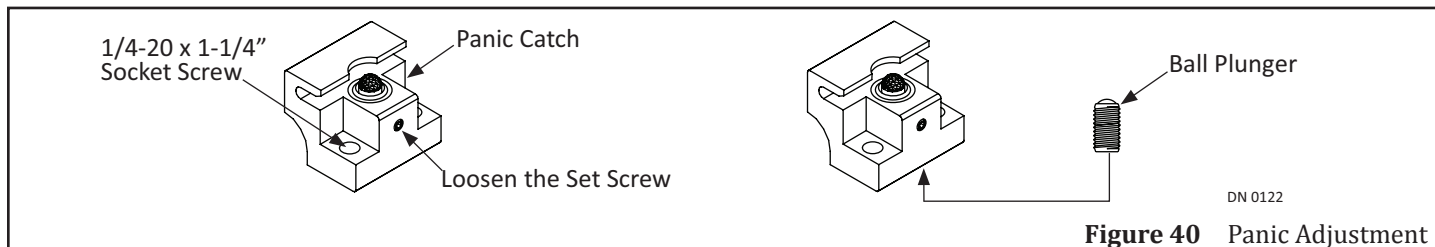


Figure 40 Panic Adjustment

2. Loosen the Set screw that is located in front of the Panic Catch.
3. Go underneath the Panic Catch. Raise or lower the Ball Plunger to adjust the engagement.
 - a. The Ball Plunger must be adjusted for proper breakout resistance to meet ANSI A156.10 code and/or local code.
 - b. Use minimal engagement if Panic Hardware is used.
4. Tighten the Set screw. Secure the Panic Catch Assembly inside the Top Rail with (2) 1/4-20 x 1-1/4 inch Socket Head screws.

SECTION 15.2: Adjust Preload

1. Support the weight of Slide Door, then Breakout Slide door approximately 5 degrees (just enough to expose the Preload Adjustment Screw located on back edge of door). Do not let Slide door push up against any other Door Panel.
2. Check for door sag. The Slide door should latch without having to be manually lifted.

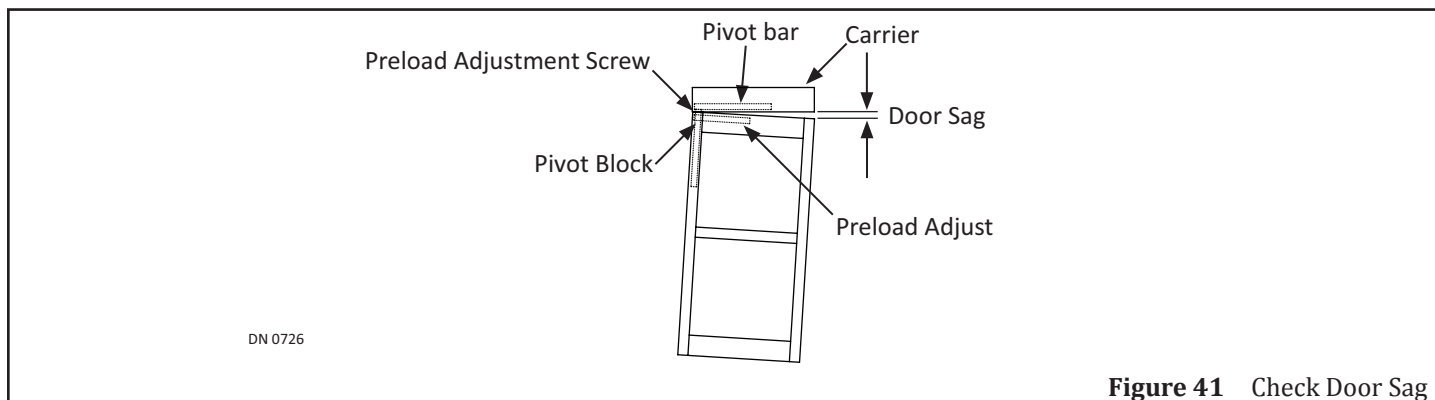


Figure 41 Check Door Sag

3. Go to the Preload Block located inside Top Rail. Loosen (2) Locking Bolts.
4. Go to the back edge of Pivot Stile. Reduce Door sag by tightening the 5/8 inch Set Screw with an 7/32 inch Allen Wrench. Do Not allow the Adjustment Set Screw to protrude more than 7/32 inch past the end of stile.
 - a. If deemed necessary, substitute the 5/8 inch Set Screw with the optional 1/2 inch Set Screw supplied by NABCO.

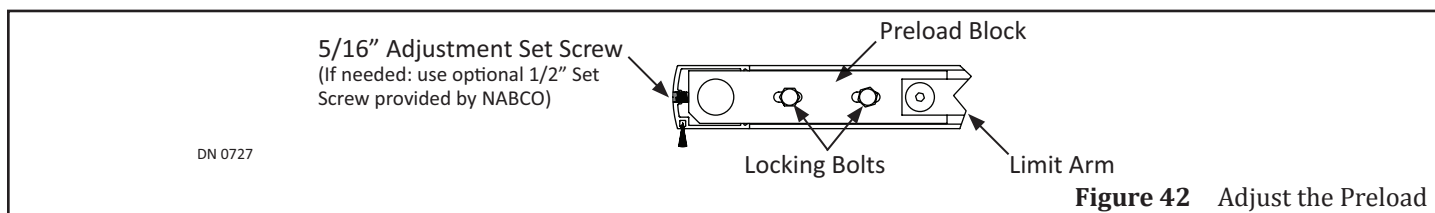


Figure 42 Adjust the Preload

SECTION 15.3: Correct Preload Misalignment

1. Break Open the Slide Door. Locate the Carrier Pivot Assembly inside the Top Door Web.
2. Loosen the 5/16-24 x 1/2 Set Screw located on the Pivot Stile at the Top.
3. Loosen (2) 1/4-20 x 1.75 Hex Screws used to secure the Carrier Pivot Assembly to the Top Door Web.
4. Slide the Carrier Bar to the left or right, until the Slide Door is aligned to the Carrier. Tighten all screws.

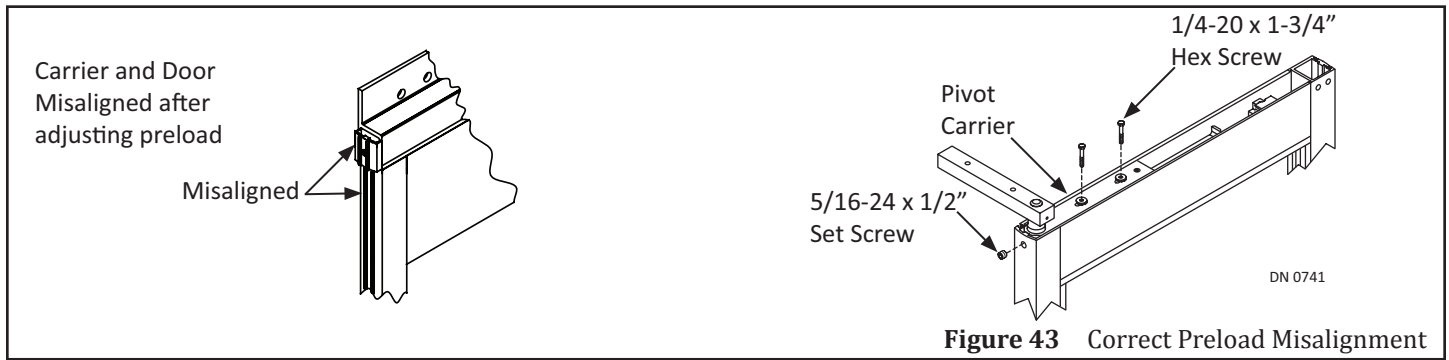


Figure 43 Correct Preload Misalignment

5. Verify that the Lower Panic Catch inside the Door Web is still aligned to the Upper Panic Catch inside the Carrier. If an adjustment is necessary:
 1. Go to the Lower Panic Catch. Loosen (2) 1/4-20 X 1-1/4 inch Socket Screws used to to secure the Lower Panic Catch to the Door Web.
 2. Slide the Lower Panic Catch to the right or left until it is aligned to the Upper Panic Catch. Tighten Socket Screws.

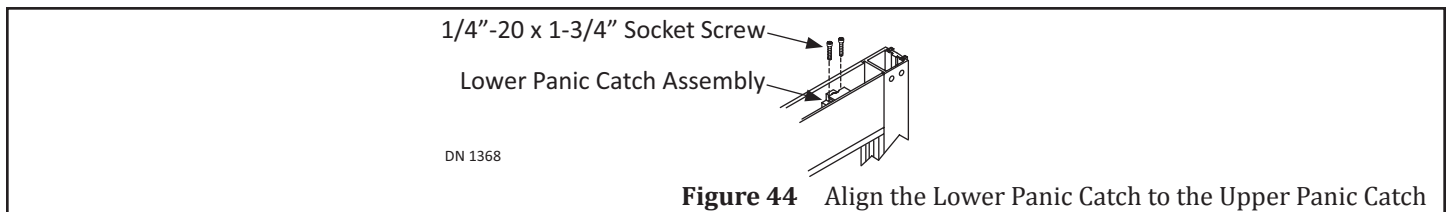


Figure 44 Align the Lower Panic Catch to the Upper Panic Catch

SECTION 15.4: Adjust the Breakout Magnet

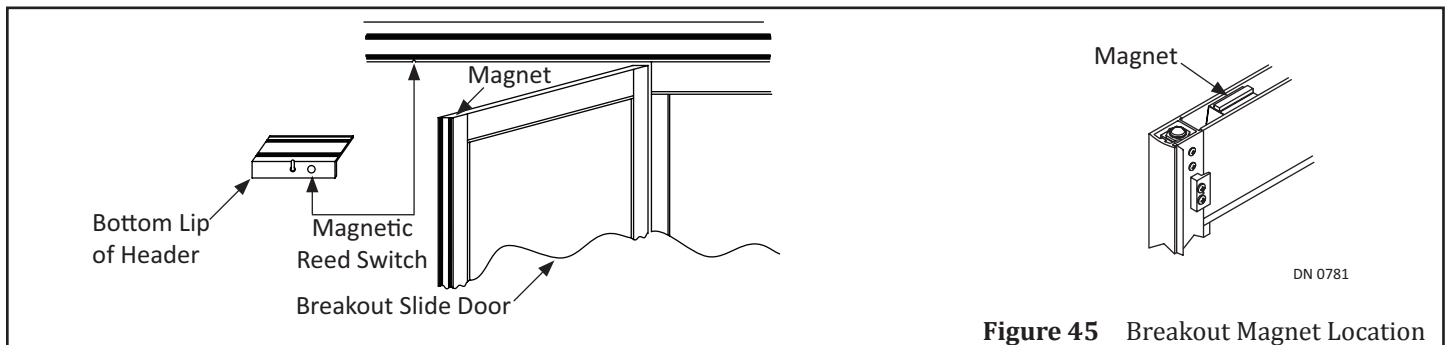


Figure 45 Breakout Magnet Location

1. The Magnet is secured to the Limit Arm Bracket that can slide to the Left and Right. Slide the Breakout Magnet to the Left or to the Right until it is aligned with the Magnetic Reed Switch.
 - a. The Magnetic Reed Switch is a 3/8 inch diameter black circle located on the Bottom Lip of Header.

SECTION 15.5: Units 54 Inches Wide (or greater) and/or over 200 Pounds

1. Go to the Bottom Rail. Remove (1) End Cap.
2. Break Open the Slide door. Locate the Nose Caster that was pre-installed within the Strike Stile.

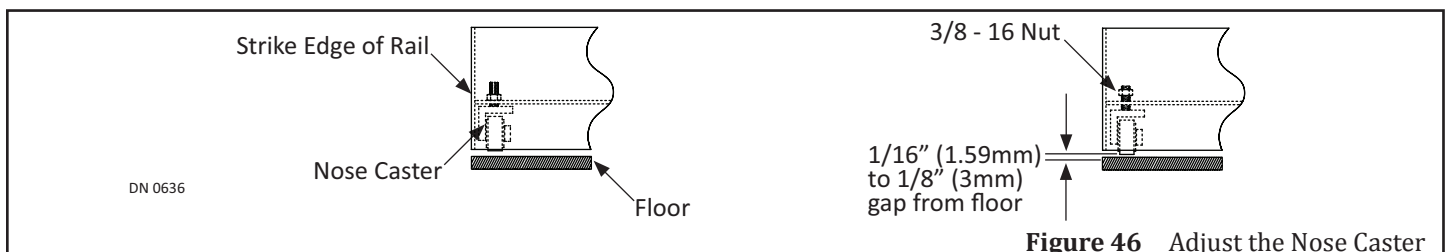


Figure 46 Adjust the Nose Caster

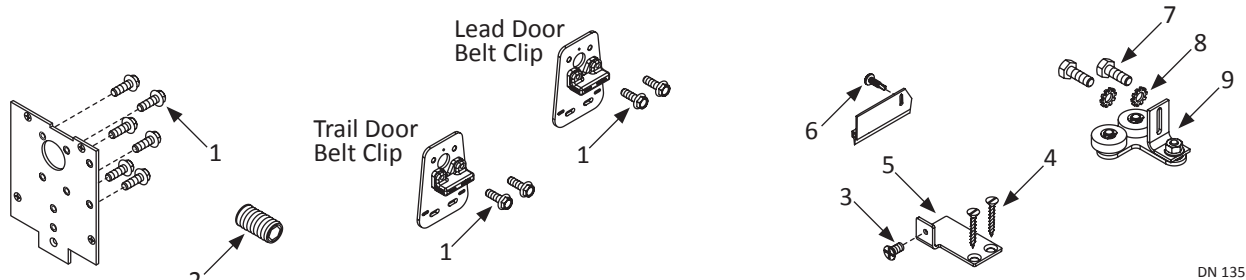
3. Loosen the #8-32 Set Screw. Position the Wheel so it is perpendicular to the Bottom Rail. Retighten the #8-32 Set Screw.
4. Fully close the Slide door. Ensure the Nose Caster does not hit or scrape the floor. Reinstall the End Cap.

CHAPTER 16: TROUBLESHOOTING

Symptom	Solution
Accusensor does not seem to reach out far enough	Increase the area lever on the side of the Accusensor to a higher number. Increase the opening speed on the door with the handy terminal.
Accusensor is not seeing people accessing the door from the side.	Turn on more of the area switches on the front of the Accusensor.
When the doors are panicked open, the system does not shut down.	Check the wiring of the power down switch in the fixed panel or bottom of header
Doors do not move when power is applied or handy terminal connected.	Confirm the swing panel is closed completely. Check the power down magnet in the top rail of the swing panel is installed and aligned with the magnetic power down switch in the bottom of the header. To locate the problem circuit, disconnect the plugs at the Accusensor. The Microprocessor will ignore any switch or sensor when it is unplugged from circuit.
The cover on the Accusensor will not snap on.	Install a couple of thin washers to space the Accusensor off from the header and provide clearance for the cover.
Doors move very slowly when the handy terminal is connected	This is normal. It is "learning" the door stroke. After learning the stroke, the handy terminal will prompt you with options.
The doors do not open completely.	Look for obstructions in the track as well as inside the header. Check to make sure that the belt clips are not hitting something. Check that the mode switch on the panel is not in "Reduced Opening" mode. Use the handy terminal and reinitialize the system.
I want to eliminate all outside switches and sensors and make the system operate in automatic mode.	Disconnect the 12 pin connector from inside the microprocessor and install the special connector jumper tool p/n 115941 into its place. The system will consist of only the motor, operator and control box (Microprocessor). The handy terminal will be the only means of operating the door.
Door does not run in "ON" position but may run in the "OFF" position	The holding beam connector (it has a red and white wire in it) in the main harness has a jumper plug connected to this plug. Remove the jumper. There have been cases where some installers have incorrectly connected this red/white connector to a blue wire connector. Remove the blue wire connector and install a jumper into it. The red/white should be empty and any open blue wire connectors should have a jumper installed.
Reset the system back to factory settings	<ol style="list-style-type: none"> 1. Plug in handy terminal and wait for door to close. 2. At "Swing/Slide Stroke?" enter YES 3. At "Swing Door Y or N?" enter YES (even though you have a slide door) 4. Door will try to initialize as a swing door and reset the settings. 5. It will prompt you with "Swing/Slide Stroke." Enter YES 6. At "Swing Door Y or N?" enter NO 7. The system will now initialize as a slide door at the factory settings. 8. You must set the door stroke from the handy terminal from the prompts at this point.

SERVICE PARTS: LH KIT P/N M-01256; RH KIT P/N M-01253

Fixed Sidelite Slide Doors



DN 1352

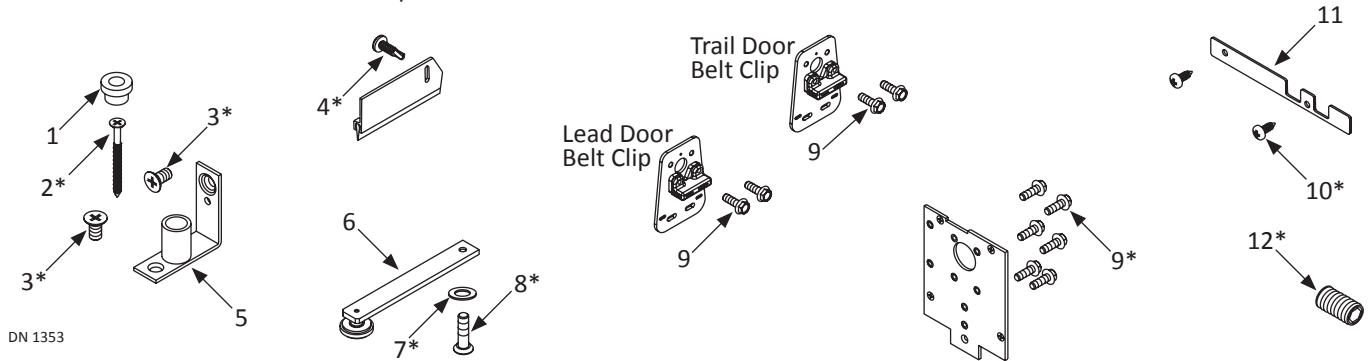
Fixed Sidelite Parts Kit: LH P/N A-01382-10 and RH P/N A-01382-20

Item	Part	Note	Description	QTY	Used To
1	T-00010		HHCS,1/4-20x0.750L.,WHIZLOCK,ZINC	2	Secure Belt Bracket to Carrier on top of Slide Door
2	T-00261		SHSS,5/16-24x0.500L.,CUP PT.	12	Secure Header to Jamb Tubes
3	T-00055	Zinc	FHMS,1/4-20x0.500L.,PHIL,ZINC	1	Adjust PreLoad on Slide Door (at top of Strike Stile)
	T-00057	Black Zinc	FHMS,1/4-20x0.500L.,PHIL,BLK ZN	1	Secure Floor Bracket (M-00717) to Strike Stile
4	T-00062		FHSMS,1/4x1.250L.,PHIL,TAPCON,BLUE	2	Secure Floor Bracket (M-00717) to Floor
5	M-00717		FLOOR BRKT, RHFS	2	Secure Fixed Sidelite to Floor
6	T-00222	Zinc	PHSMS,6x0.500L.,PHIL,TEKS,ZINC	4	Secure Brush Holder to Door Panel(s)
	T-00260	Black Zinc	PHSMS,6x0.500L. PHIL,TEKS BLK ZN		
7	T-00064		HHCS,1/4-20x0.750L.,ZINC	2	Secure Bracket portion of the BTM Guide DBL Roller to
8	T-00087		WASHER, LOCK, EXT, 1/4 ID, ZINC	2	Pivot Stile on Slide Door
9	A-00181	RH	BTM GUIDE DOUBLE ROLLER ASM, RH	1	Allow Slide Door to Open/Close. Roller portion is inserted
	A-00183	LH	BTM GUIDE DOUBLE ROLLER ASM, LH		into Bottom of Strike Stile on Fixed Sidelite.

SERVICE PARTS: FULL OPEN, 1175, NH, MED STILE: P/N A-00405

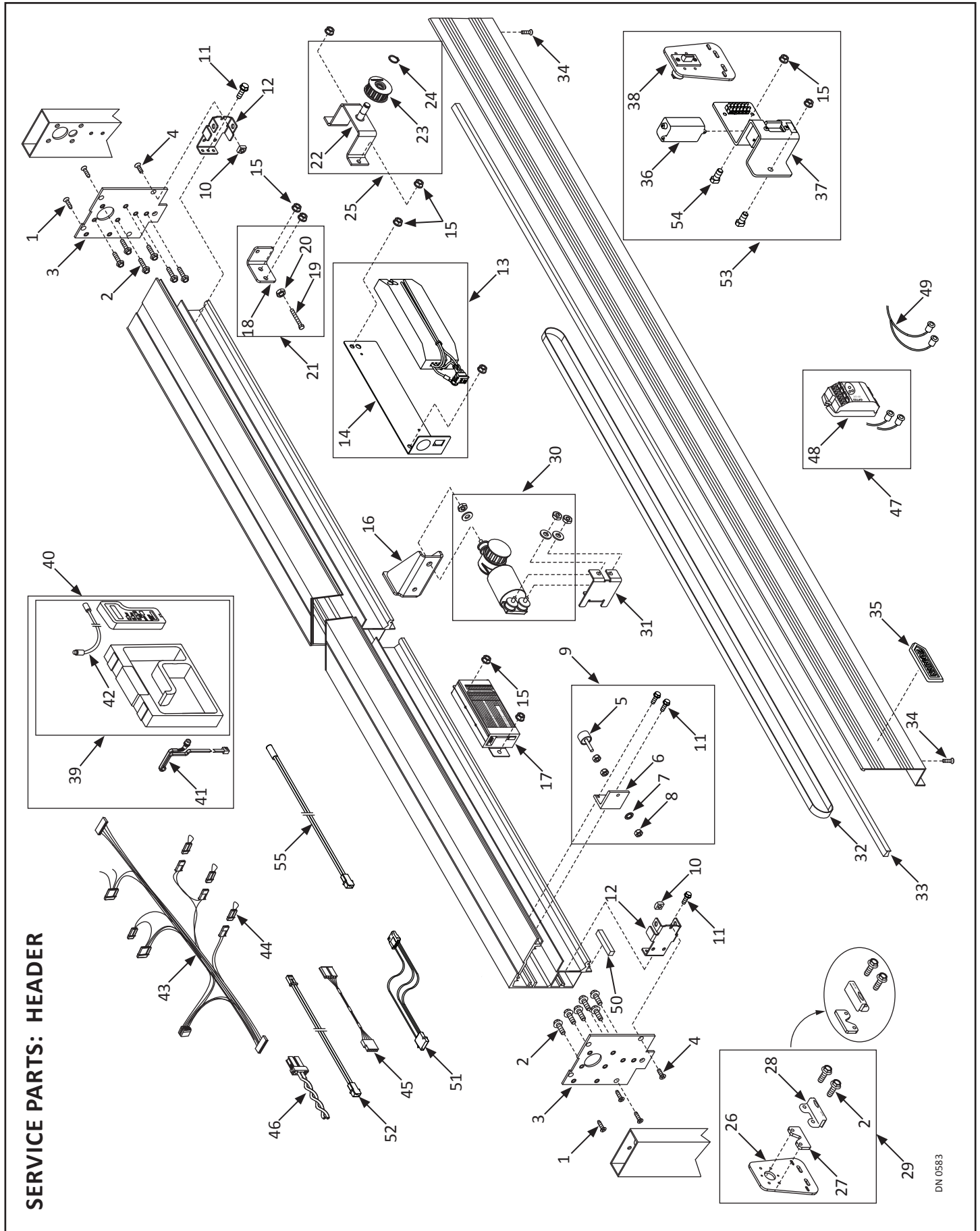
* Sold in Parts Bag NH, Med Stile: P/N M-01262

Non-Handed: P/N M-01260



Full Open 1175, Non-Handed, Medium Stile, Service Parts Kit

Item	Part	Note	Description	QTY	Used To
1	M-00606		BUSHING, BOTTOM PIVOT, SWING PANEL	1	Protect inside of Barrel from dust/dirt
2	T-00008		FHMS,1/4x2.750L.,PHIL,TAPCON,BLUE	1	Secure Bottom Pivot (M-00611) to floor
3	T-00007		FHMS,1/4-20x0.500L.,PHIL,UNDR CUT,F-PT,ZN	1	Secure Bottom Pivot (M-00611) to floor.
				1	Secure Bottom Pivot (M-00611) to Pivot Jamb Tube.
4	T-00222	Zinc	PHSMS,6x0.500L.,PHIL,TEKS,ZINC	8	Secure Brush Holder to Door Panels.
	T-00260	Black Zinc	PHSMS,6x0.500L. PHIL,TEKS BLK ZN		
5	M-00611		FLOOR PIVOT BRACKET	1	Allow Sidelite to swing Open and Closed
6	A-00060	Narrow	LIMIT ARM,SWING PANEL,ASM.NRW.STILE	1	Allow Sidelite to swing Open and Closed
	A-00406	Medium	LIMIT ARM, SWING PANEL, MED STILE	1	
7	T-00069		WASHER,.255 ID,.900 OD,.125 THK,NYLON	1	Keep Screw from digging into face of Limit Arm
8	T-00083		FHMS,1/4-20x1.000L.,PHIL,UCUT,VIBRATITE	1	Secure Limit Arm to bottom of Header
9	T-00010		HHCS,1/4-20x0.750L.,WHIZLOCK,ZINC	2	Secure Belt Bracket to Carrier on top of Slide Door
				12	Secure Header to Jamb Tubes
10	T-00009		PHSMS,6x0.375L,PHIL,TYPE AB,18-8 SS	2	Secure Threshold End Cap to the Threshold
11	M-00442		END CAP	1	Protect raw end of Threshold from dust/dirt
12	T-00261		SHSS,5/16-24x0.500L.,CUP PT.	1	Adjust PreLoad (top of Strike Stile on Slide Door)



SERVICE PARTS: HEADER

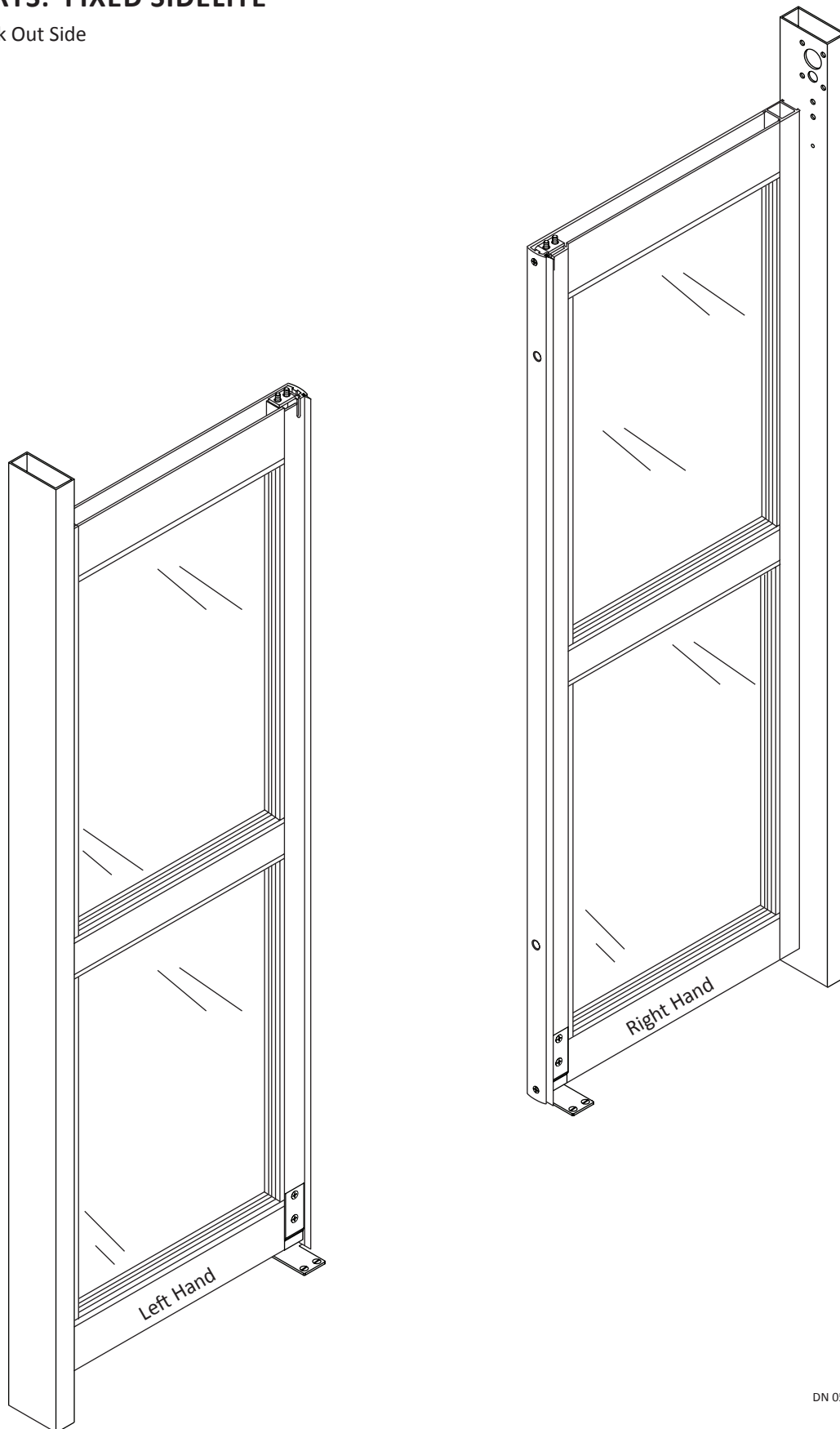
DN 0583

Header			
Item	Part	Finish/Sizes/Notes	Description
1	T-00061		FHMS,1/4-20x1.000L.,PHIL,TRI-LOBE,ZINC
2	T-00010		HHCS,1/4-20x0.750L.,WHIZLOCK,ZINC
3	M-60582	RH/Clear	END CAP,ONE PIECE HEADER,RH,204
	M-70582	RH/Dark Bronze	END CAP,ONE PIECE HEADER,RH,313
	M-60574	LH/Clear	END CAP,ONE PIECE HEADER,LH,204
	M-70574	LH/Dark Bronze	END CAP,ONE PIECE HEADER,LH,313
4	T-00015	Zinc	FHMS,1/4-20x0.750L.,PHIL,ZINC
	T-00017	Black Zinc	FHMS,1/4-20x0.750L.,PHIL,BLK ZN
5	A-00087		BUMPER,DOOR STOP
6	M-00502		BRACKET, IDLER/STOP
7	T-00096		"WASHER,INT,1/4;ZINC"
8	T-00002		NUT,HEX,1/4-20,ZINC
9	A-00128		DOOR STOP,ASM.
10	T-00058		NUT,SQ.,1/4-20,ZINC
11	T-00023		HHSMS,14X0.750L,TEKS,ZINC
12	M-00411		BRACKET,END CAP,HEADER
13	A-00717		POWER SUPPLY,27 VDC,100 WATT
14	M-01624		BRACKET, POWER SUPPLY, 1175
15	T-00025		NUT,WHIZLOCK,3/8-16,ZINC
16	M-00396		BRACKET, MOUNTING, FRONT, DS150
17	V-00020		CONTROLLER, U30
18	M-00502		BRACKET, IDLER/STOP
19	T-00075		HHCS,3/8-16x2.750L.,FULL THREAD,ZINC
20	T-00067		NUT,HEX,JAM,3/8-16,ZINC
21	A-00078		BELT,DRIVE,IDLER SPROCKET,TENSIONER
22	M-00402		BRACKET, PULLEY SHAFT WELDMENT
23	M-00405		IDLER PULLEY ASSEMBLY
24	T-00049		RING,RETAINING,EXT,15mm SHAFT,HD
25	A-00042		ASM, IDLER PULLEY
26	M-00394		BRACKET,BELT CLIP MOUNTING
27	M-00392		SPACER,BELT CLIP
28	M-00391		BELT,CLIP
29	A-00759		BELT CLIP KIT
30	M-00395		OPERATOR,DS150
31	M-00397		BRACKET,MOUNTING , REAR, DS150
32	M-01491		BELT: .500 PITCH: "H" PROFILE
33	M-00499		WEATHERING:PILE:.27W X .25H:W/ ADH & FIN
34	T-00024	Zinc	FHMS,8-32x0.625L.,PHIL,F-POINT,ZINC
	T-00179	Black Zinc	"FHMS,8-32x0.625L.,PHIL,BK.ZC.TYPE F"
35	C-00067		"NAMEPLATE, ADHESIVE BACKED"
36	V-00022		POWER SUPPLY, 24VDC, 0.5A

Header			
Item	Part	Finish/Sizes/Notes	Description
37	A-00342	Fail Secure	LOCK, ELECTRIC,FAIL SECURE,1175
	A-00341	Fail Safe	LOCK, ELECTRIC,FAIL SAFE,1175
38	A-00343		BRKT,BELT,ELECTRIC LOCK,RHFS,LHFO,BP
	A-00344		BRKT,BELT,ELECTRIC LOCK,LHFS,RHFO
39	A-00711		"KIT,HANDY TERMINAL"
40	V-00356		HANDY TERMINAL
41	M-01517	78.75 inches	"HARNESS,HANDY TERMINAL"
42	M-01410		CABLE,HANDY TERMINAL
43	M-00413		HARNESS,U30,CONTROL
44	A-00385		BREAKOUT JUMPER
45	A-00967	36 inches	HARNESS;EXTENSION;ROCKER SWITCH;36IN.
	A-00968	72 inches	HARNESS;EXTENSION;ROCKER SWITCH;72IN.
	A-00969	180 inches	HARNESS;EXTENSION;ROCKER SWITCH;180IN.
46	M-00412		HARNESS,U30,POWER
47	A-00709	Control Box and Cable	HOLDING BEAM SYSTEM
48	A-00129	Control Box	AMPLIFIER, PHOTOEYE, OPTEX ASSY
49	V-00073	(1) Emit and (1) Detect w/ExtCbl	HOLDING BEAM,PHOTO ELECTRIC,W/ EXT CABLE
50	M-00281		FOAM WEATHERSTRIPPING ADHESIVE BACKED
51	M-01168	24 inches	HARNESS,ACUSENSOR EXT,24 INT
	M-01156	48 inches	ACCUSENSOR EXT HARNESS 48" INT.
52	M-01136	35 inches	HARNESS,BREAK OUT SWITCH,35IN EXTENSION
	M-01073	90 inches	HARNESS,BREAK OUT SWITCH,90IN EXTENTION
53	A-01031		U-19 ELECTRIC LOCK KIT, FAIL SECURE
54	A-01032		U-19 ELECTRIC LOCK KIT, FAIL SAFE
	A-00686		"T-NUT,3/8-16x.750L"
	A-00758	Full Open Sidelite only	SWITCHBREAKOUT

SERVICE PARTS: FIXED SIDELITE

Viewed from Break Out Side

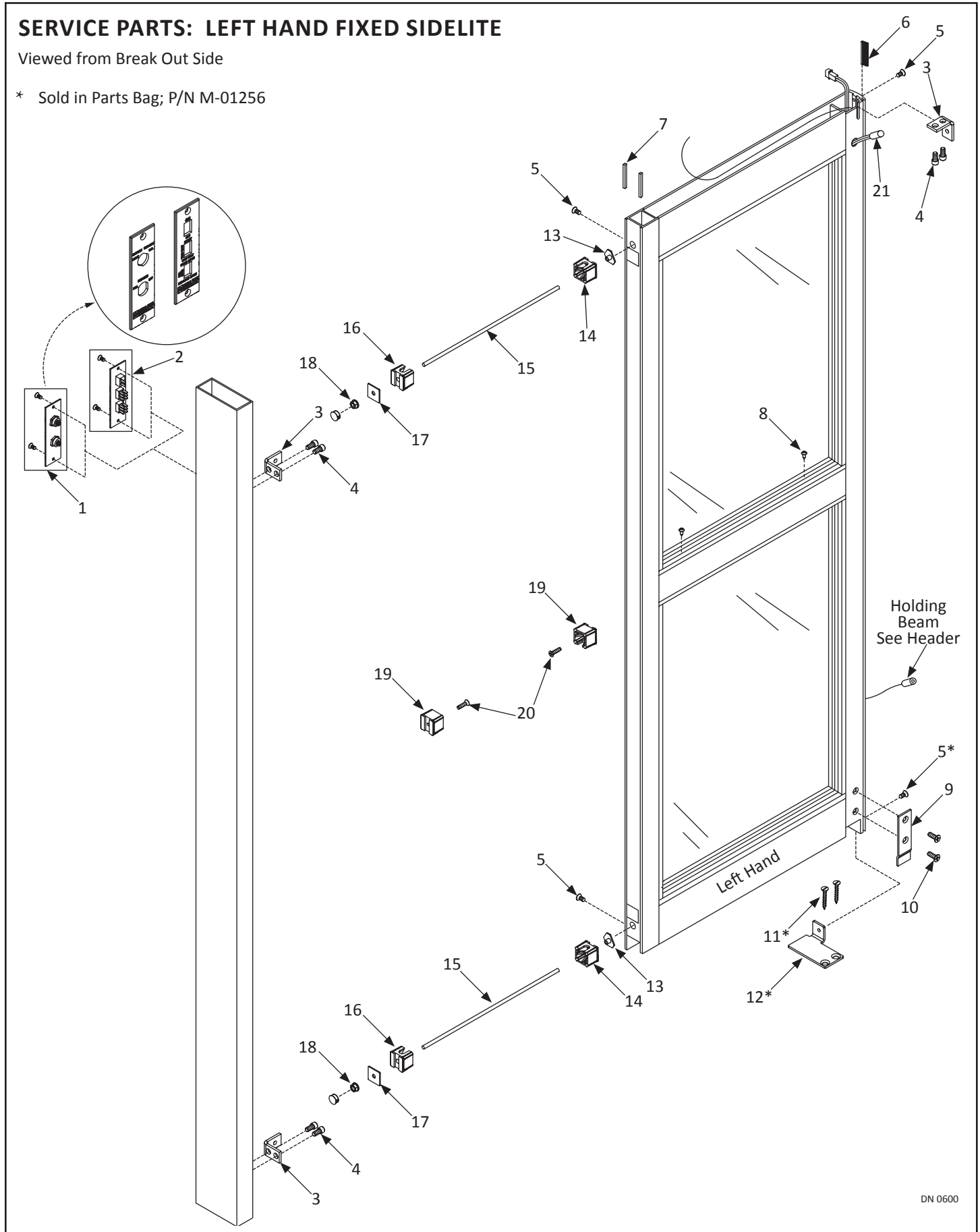


DN 0598

SERVICE PARTS: LEFT HAND FIXED SIDELITE

Viewed from Break Out Side

* Sold in Parts Bag; P/N M-01256

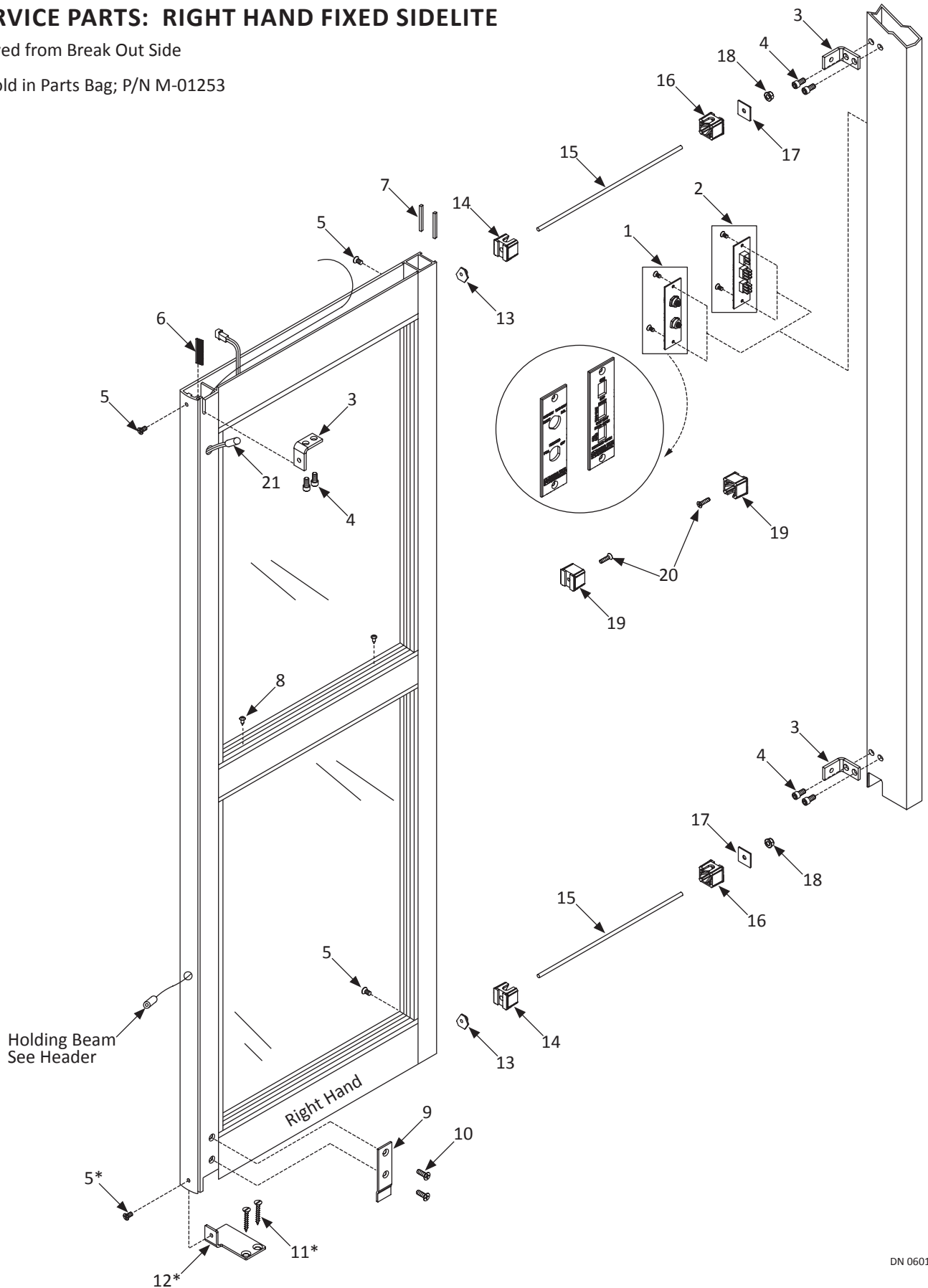


DN 0600

SERVICE PARTS: RIGHT HAND FIXED SIDELITE

Viewed from Break Out Side

* Sold in Parts Bag; P/N M-01253

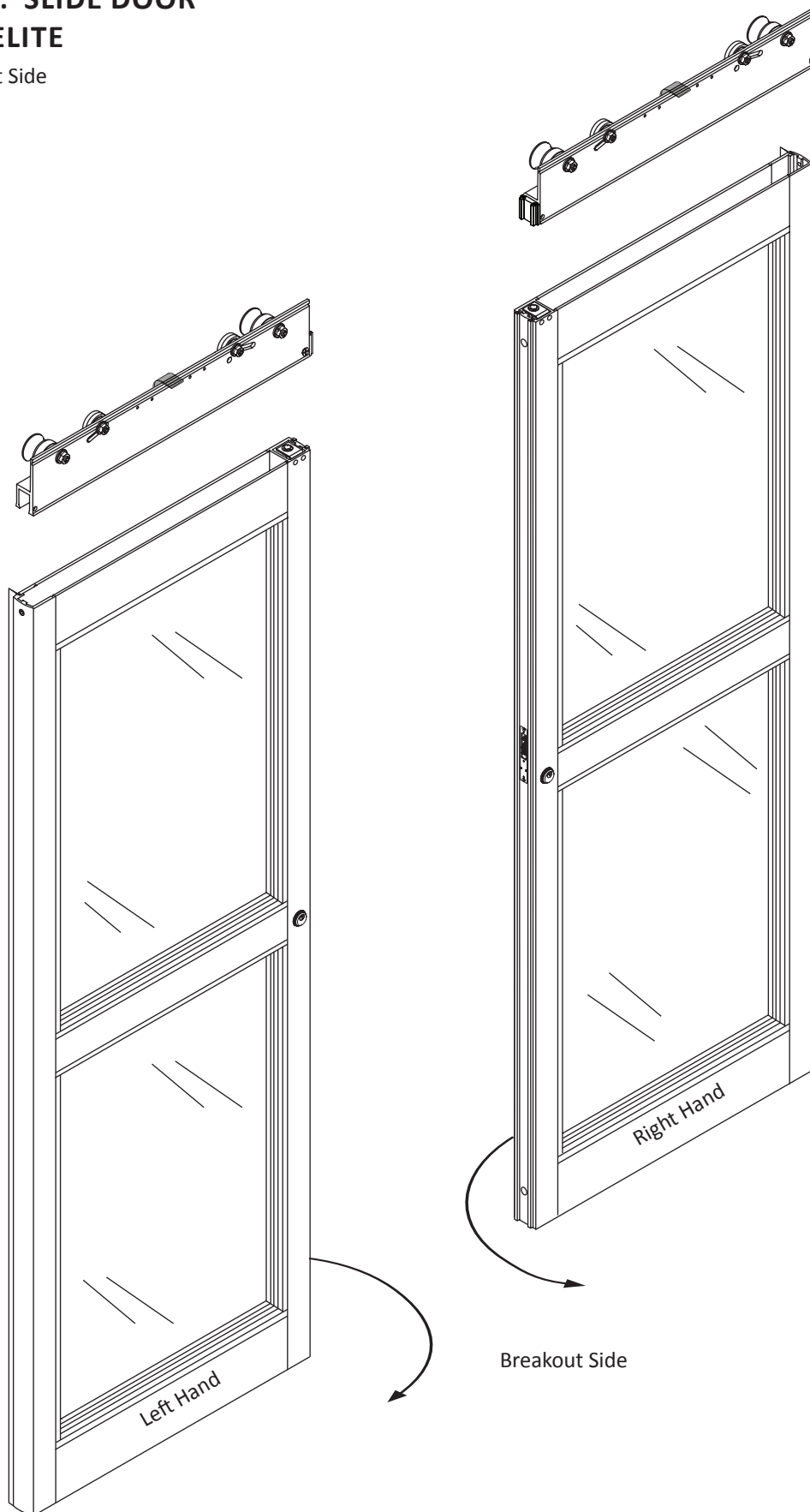


DN 0601

Fixed Sidelite			
Item	Part	Finish/Sizes/Notes	Description
1	M-01144		SWITCH, KEY - NABCO
	M-01145		SWITCH, KEY - PORTA SERVICE
2	M-00428		SWITCH MODULE,3 ROCKER,NABCO
	M-00429		SWITCH MODULE,3 ROCKER,PORTA
3	M-00706		BRACKET,MOUNTING ,FIXED SIDELITE
4	T-00053		SHCS,1/4-20x0.500L.,ZINC
5	T-00055	Zinc	FHMS,1/4-20x0.500L.,PHIL,ZINC
	T-00057	Black Oxide	FHMS,1/4-20x0.500L.,PHIL,BLK ZN
6	A-00951		"BRUSH, NYLON, .56 LX1.875L."
7	M-00281	Include Length needed when ordering	FOAM WEATHERSTRIPPING ADHESIVE BACKED
8	T-00098		PHSMS,10x0.563L.,PHIL,TYPE A
9	M-00709		COVER, PLATE, BOTTOM GUIDE, FS
10	T-00015	Zinc	FHMS,1/4-20x0.750L.,PHIL,ZINC
11	T-00313		FHSMS - SLOTTED, #14 X 1 1/12" LG
12	M-00717	RH	FLOOR BRKT, RHFS
	M-00710	LH	BRACKET,FLOOR, LHFS
13	M-00416		T-NUT, 3/8"-16, TIE ROD
14	M-00460		CLIP,MUNTIN,.500 HOLE
15	M-00272		3/8-16 THREADED ROD
16	M-00461		CLIP,MUNTIN,.386 HOLE
17	M-00422		PLATE,TIE ROD
18	T-00025		NUT,WHIZLOCK,3/8-16,ZINC
19	M-00462		CLIP,MUNTIN,.261 HOLE
20	T-00061	Zinc	FHMS,1/4-20x1.000L.,PHIL,TRI-LOBE,ZINC
21	A-00387	White/Installed inside Strike Stile/See Header for Extension Harnesses	Breakout Switch

SERVICE PARTS: SLIDE DOOR FOR FIXED SIDELITE

Viewed from Break Out Side

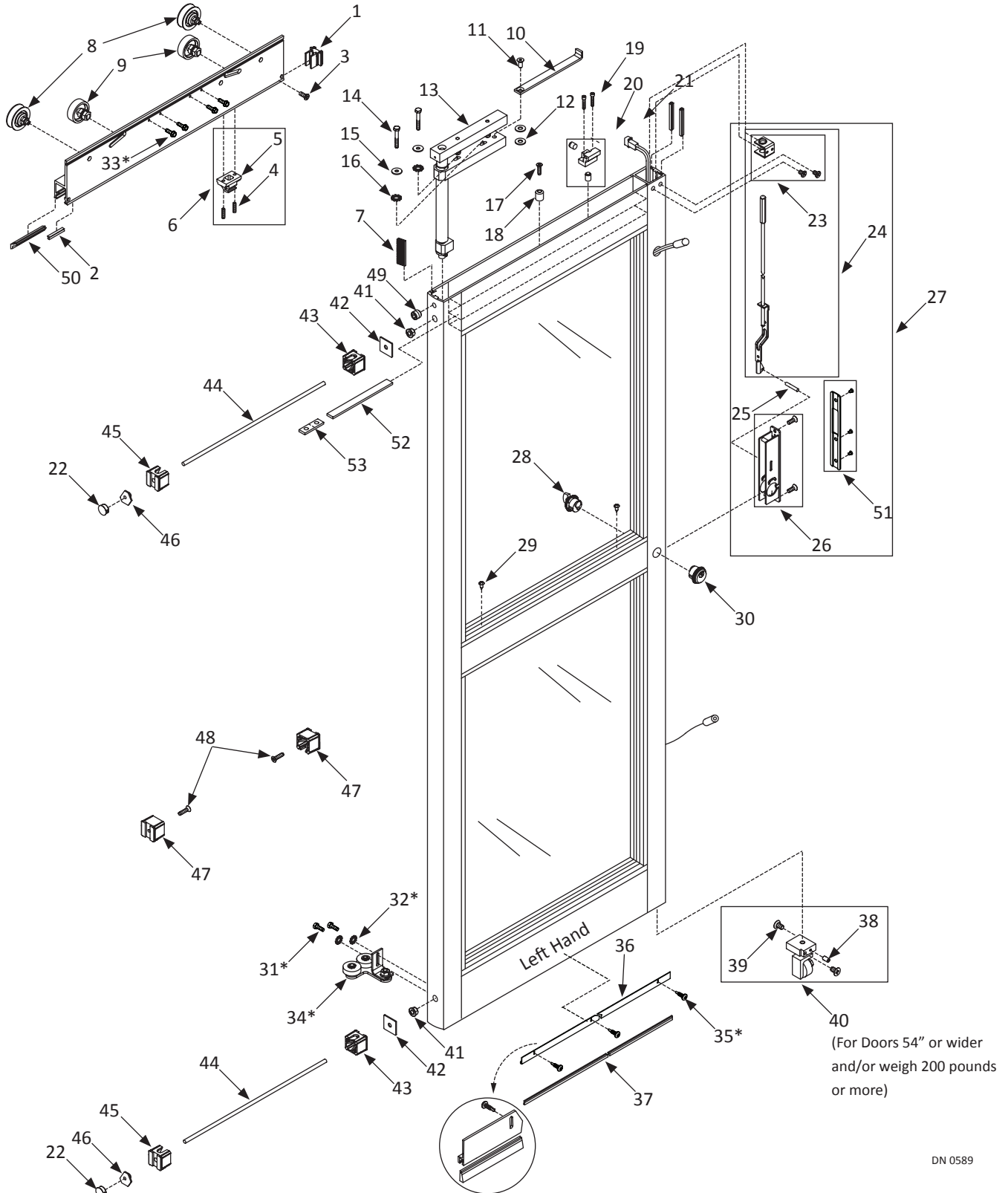


DN 0584

SERVICE PARTS: LEFT HAND SLIDE DOOR FOR FIXED SIDELITE

Viewed from Break Out Side

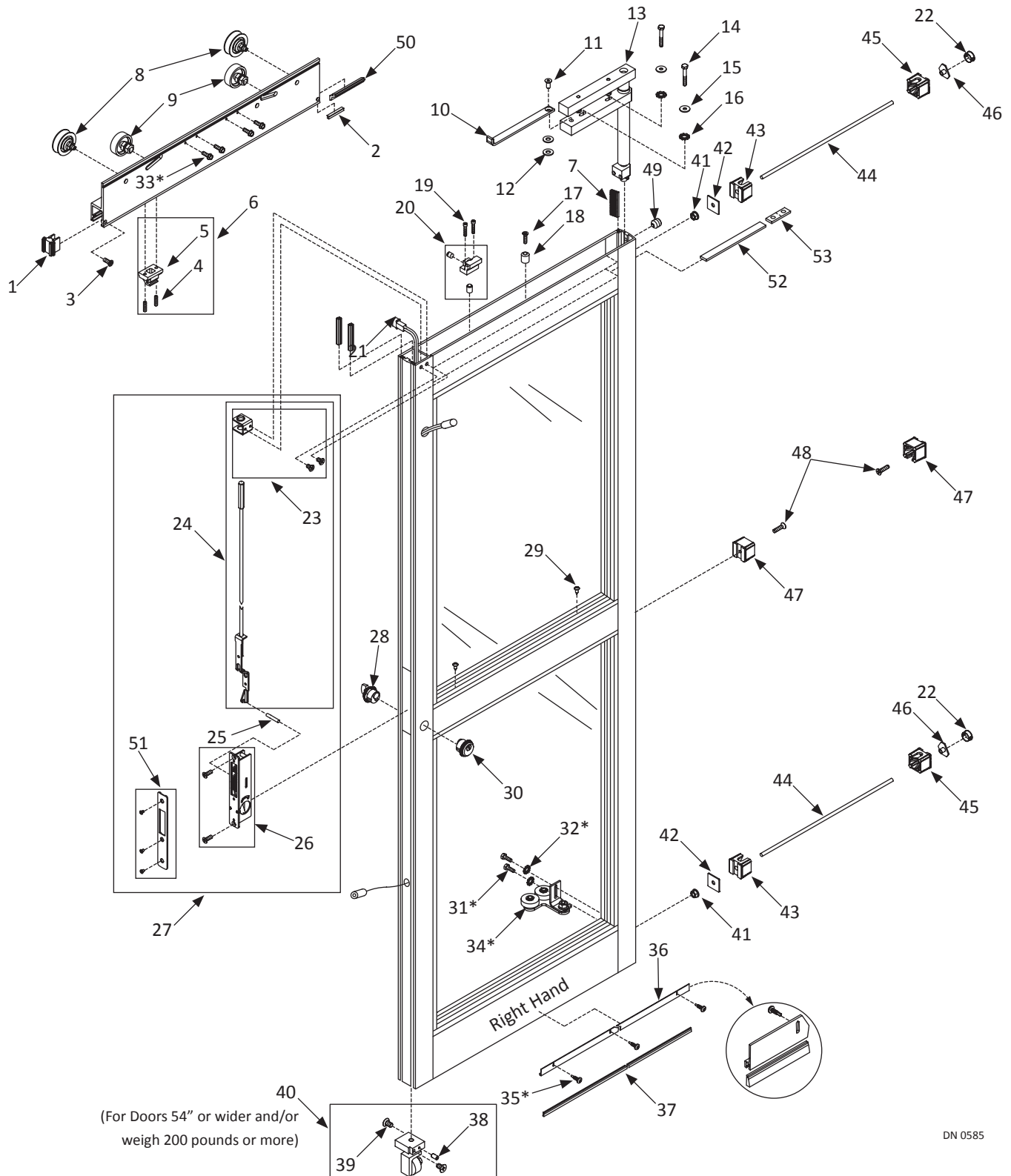
* Sold in Parts Bag; P/N M-01256



SERVICE PARTS: RIGHT HAND SLIDE DOOR FOR FIXED SIDELITE

Viewed from Break Out Side

* Sold in Parts Bag; P/N M-01253

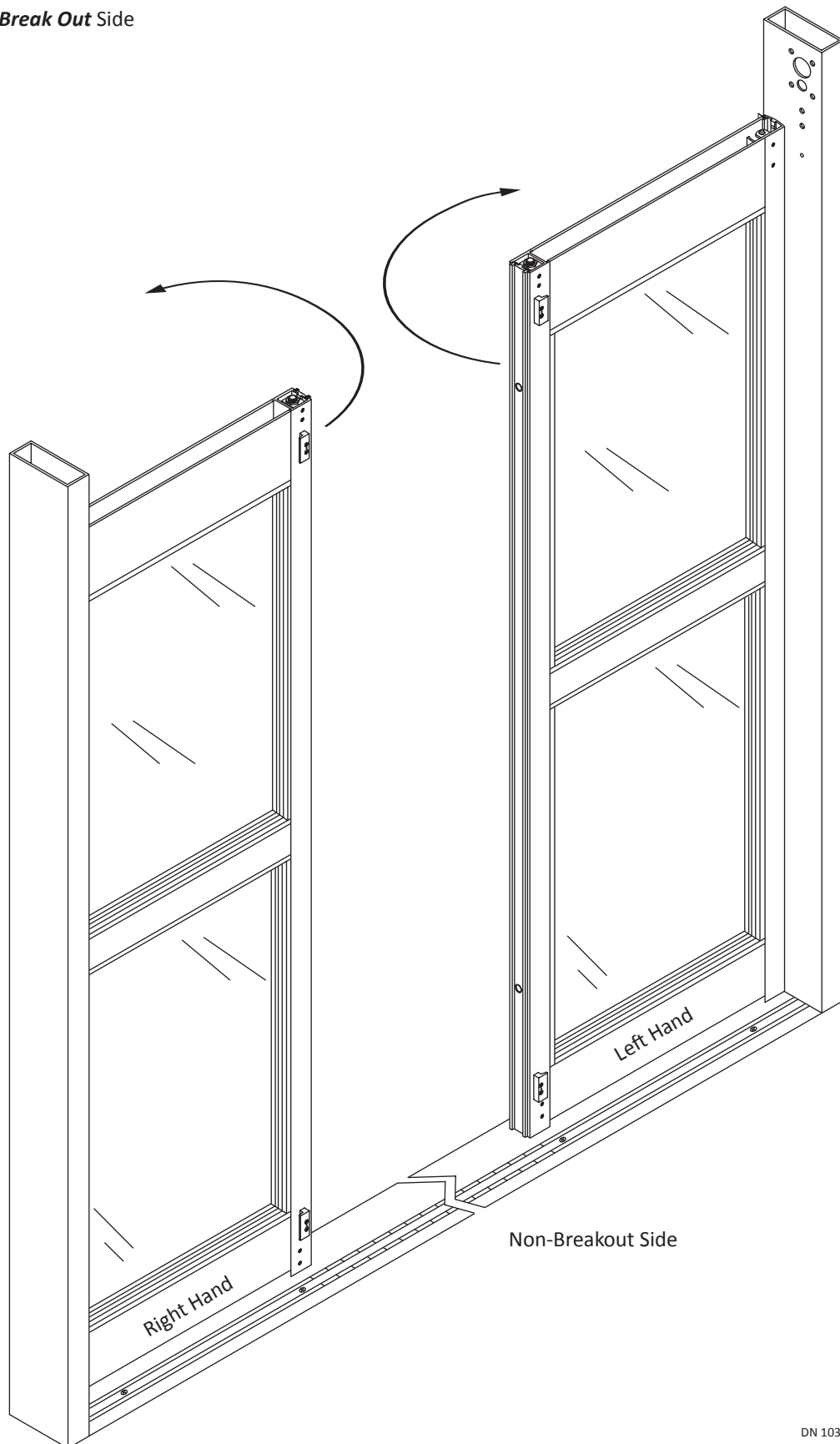


Fixed Sidelite Slide Door			
Item	Part	Finish/Sizes/Notes	Description
1	A-60133	Clear	"CARRIER END CAP,204"
	A-70133	Dark Bronze	CARRIER END CAP,313
2	M-00690		WEATHER, PILE .2
3	T-00006	Zinc	FHSMS,10x0.750L.,PHIL,ZINC
	T-00005	Black Zinc	FHSMS,10x0.750L.,PHIL,BLK ZN
4	T-00091		SHSS,5/16-18x1.250L.,CUP PT.
5	M-00483		PANIC CATCH RELEASE ASSEMBLY
6	A-00071		PANIC CATCH, UPPER,ASM.
7	A-00951		"BRUSH, NYLON, .56 LX1.875L."
8	A-00162		ROLLER, HANGER, ASSEMBLY, 1175
9	A-00163		AXLE ASSEMBLY-ANTI RISE ROLLER
10	M-00379	Standard Stile	LIMIT ARM, STANDARD STILES
	M-00704	Medium Stile	ARM, LIMIT, MEDIUM STILE
11	T-00018		FHCS,7/16-14x1.000L.,ZINC
12	T-00484		WASHER,.469 ID,.922 OD,.065 THK,ZINC
13	A-00092		CARRIER,PIVOT,NARROW STILE
	A-00165		CARRIER, PIVOT ASSY, MED STILE
	A-00168		CARRIER PIVOT ASM. NRW PANEL & STILE
	A-00172		CARRIER,PIVOT,ASM.,NRW.PNL - MED.STILE
14	T-00028		HHCS,1/4-20x1.750L.,GR5,ZINC
15	T-00029		WASHER,.250 ID,.563 OD,.049 THK,ZINC
16	T-00087		WASHER, LOCK, EXT, 1/4 ID, ZINC
17	T-00061		FHMS,1/4-20x1.000L.,PHIL,TRI-LOBE,ZINC
18	M-00653		BRACKET, LIMIT ARM SUPPORT
19	T-00037		SHCS,1/4-20x1.250L.,ZINC
20	A-00069		PANIC CATCH, BOTTOM
21	M-00688		PILE WEATHERING .45 TALL W/ ADHESIVE
22	T-00085		PLUG, DOME, .813 DIAMETER
23	M-01634		LOCK GUIDE (SUB COMPONENT OF LOCK ROD)
24	V-00094		LOCKROD, ADAMS-RITE #4015
25	T-00132		"PIN,ROLL,5/32D X 0.875L."
26	V-00005		LOCK, ADAMS-RITE #MS1853
27	A-00523		KIT,LOCK AND ROD
28	V-00116	Silver	CYLINDER,LOCK,THUMBTURN,204
	V-70116	Bronze	CYLINDER,LOCK,THUMBTURN,313
29	T-00098		PHSMS,10x0.563L.,PHIL,TYPE A
30	V-00123	Silver	CYLINDER,LOCK,KEYED,204
	V-70123	Bronze	CYLINDER,LOCK,KEYED,313
31	T-00064		HHCS,1/4-20x0.750L.,ZINC
32	T-00087		WASHER, LOCK, EXT, 1/4 ID, ZINC
33	T-00119		HHCS,1/4-20x0.750L.,WASH HD.TRILOBE,ZINC

Fixed Sidelite Slide Door			
Item	Part	Finish/Sizes/Notes	Description
34	A-00181	RH	BTM GUIDE DOUBLE ROLLER ASM, RH
	A-00183	LH	BTM GUIDE DOUBLE ROLLER ASM, LH
35	T-00222	Smoke Seal Only/Zinc	PHSMS,6x0.500L.,PHIL,TEKS,ZINC
	T-00260	Smoke Seal Only/Black Zinc	PHSMS,6x0.500L. PHIL,TEKS BLK ZN
36	M-60278	Clear	HOLDER,WEATHERING BRUSH,204,EXTRU
	M-70278	Dark Bronze	HOLDER,WEATHERING BRUSH,313,EXTRU
37	M-00274		BRUSH, NYLON, 1" STEPPED
	M-00698		BRUSH, NYLON, 1.5"
38	T-00105		SHSS,8-32x0.313L.,CUP PT.
39	T-00016	Zinc	FHMS,1/4-20x0.438L.,PHIL,UNDERCUT,ZINC
	T-00108	Black Oxide	FHMS,1/4-20x0.438L.,PHIL,UNDERCUT,BLK ZN
40	A-00198	Clear	NOSE CASTER ASSY, NAR
	A-00207	Clear	NOSE CASTER ASSY, MED
41	T-00025	Zinc	NUT,WHIZLOCK,3/8-16,ZINC
42	M-00422		PLATE,TIE ROD
43	M-00461		CLIP,MUNTIN,.386 HOLE
44	M-00272		3/8-16 THREADED ROD
45	M-00460		CLIP,MUNTIN,.500 HOLE
46	M-00416		T-NUT, 3/8"-16, TIE ROD
47	M-00462		CLIP,MUNTIN,.261 HOLE
48	T-00061		FHMS,1/4-20x1.000L.,PHIL,TRI-LOBE,ZINC
49	T-00261		SHSS,5/16-24x0.500L.,CUP PT.
50	M-60288	Clear	INTERFACE LEG,204,EXTRU
	M-70288	Dark Bronze	INTERFACE LEG,313,EXTRU
51	V-00014	Clear	COVER,MS LOCK,W/ CUTOUT,204
	V-70014	Dark Bronze	COVER,MS LOCK,W/ CUTOUT,313
52	M-01189	Secures magnetic strip inside Rail	MAGNET, WEDGING STRIP
53	M-00282	Cut to full length of Top Door Rail Located inside Top Door Rail	FLEXIBLE MAGNETIC STRIP

SERVICE PARTS: FULL OPEN SIDELITE

Viewed from *Non-Break Out* Side

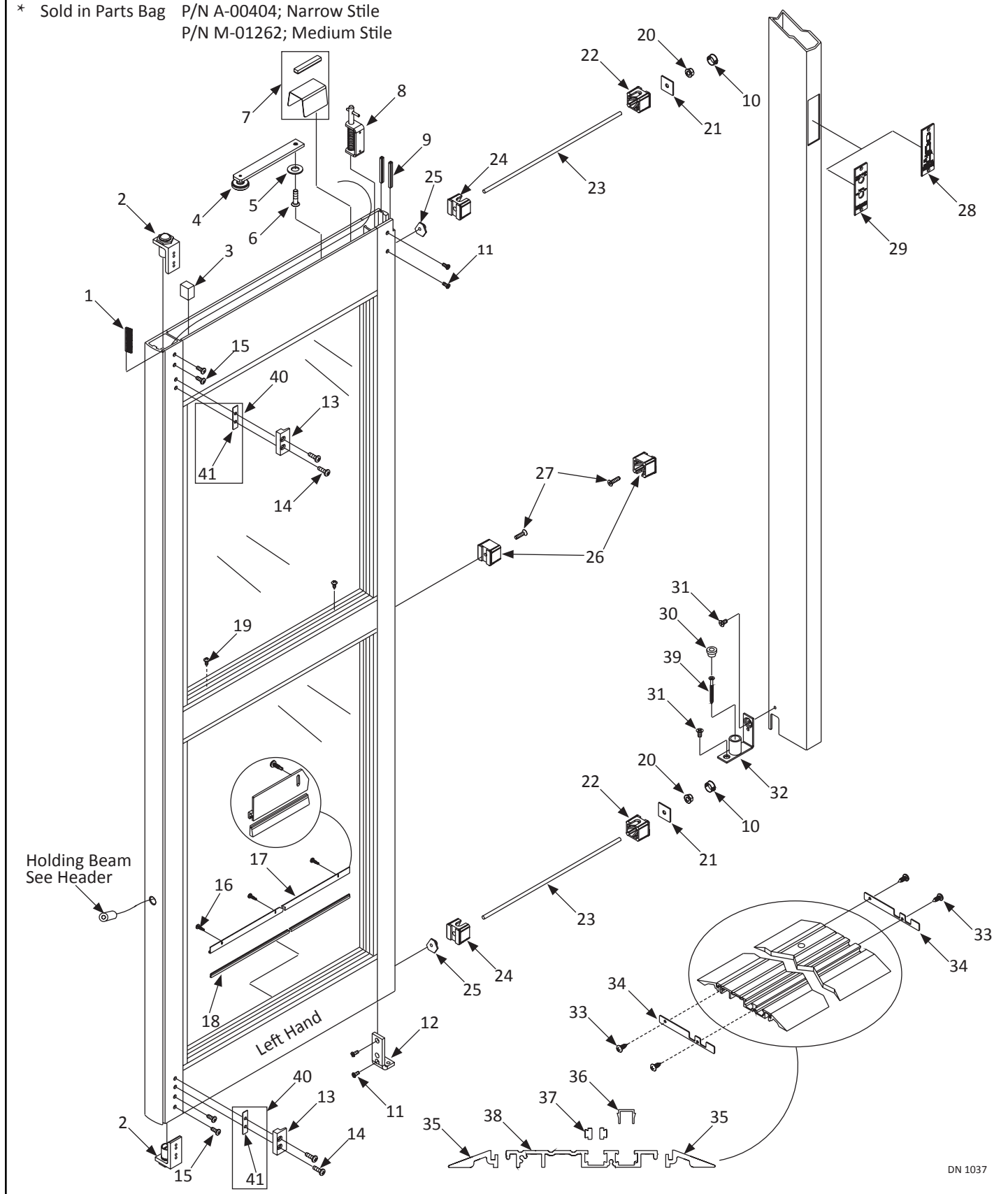


DN 1035

SERVICE PARTS: FULL OPEN; LEFT HAND SWING SIDELITE

Viewed from **Non-Break** Out Side

* Sold in Parts Bag P/N A-00404; Narrow Stile
P/N M-01262; Medium Stile

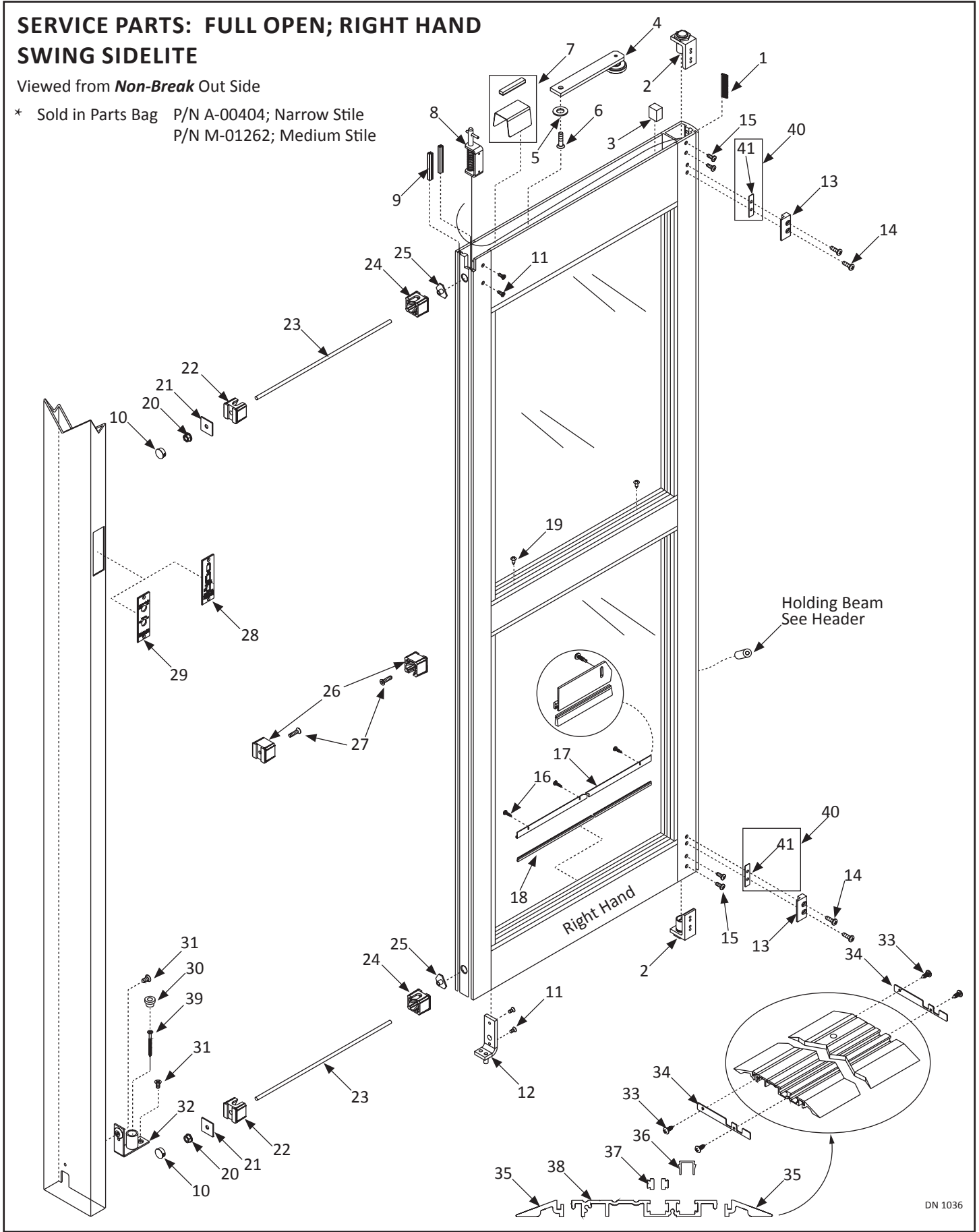


DN 1037

SERVICE PARTS: FULL OPEN; RIGHT HAND SWING SIDELITE

Viewed from *Non-Break* Out Side

- * Sold in Parts Bag P/N A-00404; Narrow Stile
- P/N M-01262; Medium Stile

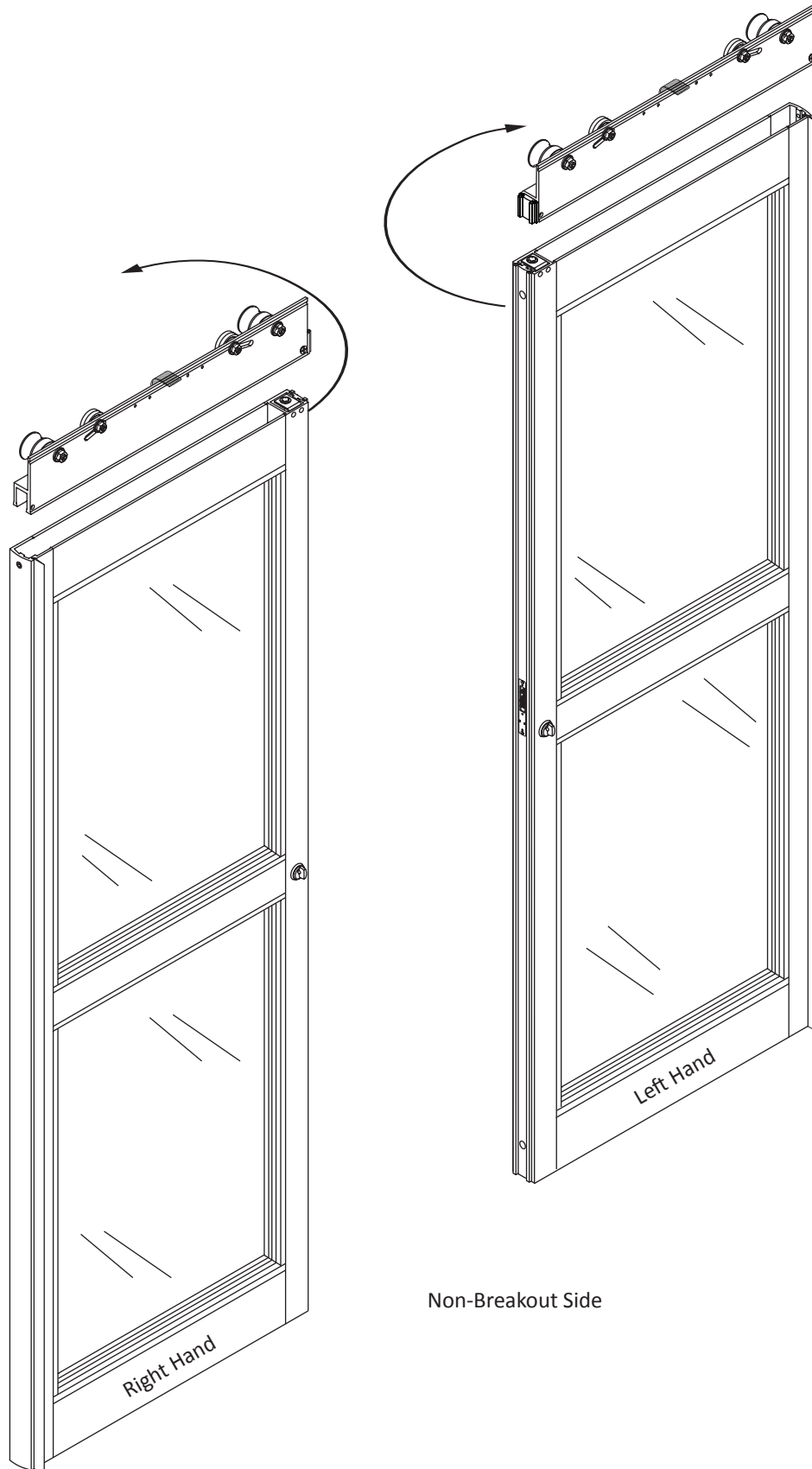


Full Open Sidelite			
Item	Part	Finish/Sizes/Notes	Description
1	A-00951		"BRUSH, NYLON, .56 LX1.875L."
2	A-00057		BALL DETENT,ASSEMBLY
3	A-00166		STOP BLOCK ASSY, SWING PANEL LIMIT ARM
4	A-00060	Narrow Stile	LIMIT ARM,SWING PANEL,ASM.NRW.STILE
	A-00406	Medium Stile	LIMIT ARM, SWING PANEL, MED STILE
5	T-00069		WASHER,.255 ID,.900 OD,.125 THK,NYLON
6	T-00083		FHMS,1/4-20x1.000L.,PHIL,UCUT,VIBRATITE
7	A-00149		ASM, MAGNET, BREAKOUT
8	A-00029		ASM, TOP PIVOT, 1175 SWING PANEL
9	M-00687		WEATHERING, PILE .57 TALL
10	T-00085		PLUG, DOME, .813 DIAMETER
11	T-00016		FHMS,1/4-20x0.438L.,PHIL,UNDERCUT,ZINC
12	M-00593	LH	LH BOTTOM PIVOT SWING PANEL
	M-00594	RH	PIVOT, SWING PANEL,BTM,RH
13	M-01469		INTERLOCK:PLASTIC:1175
14	T-00078		PHMS,10-32x0.625L.,PHIL,ZINC
15	T-00027	Zinc	PHMS,10-32x0.500L.,PHIL.ZINC
	T-00051	Black Zinc	PHMS,10-32x0.500L.,PHIL,BLK ZN
16	T-00222	Zinc	PHSMS,6x0.500L.,PHIL,TEKS,ZINC
	T-00260	Black Zinc	PHSMS,6x0.500L. PHIL,TEKS BLK ZN
17	M-60278	Clear	HOLDER,WEATHERING BRUSH,204,EXTRU
	M-70278	Dark Bonze	HOLDER,WEATHERING BRUSH,313,EXTRU
	M-90278	Bone White	HOLDER:WEATHERING BRUSH:BW:EXTRU
18	M-00274		BRUSH, NYLON, 1" STEPPED
	M-00698		BRUSH, NYLON, 1.5"
19	T-00006		FHSMS,10x0.750L.,PHIL,ZINC
20	T-00025		NUT,WHIZLOCK,3/8-16,ZINC
21	M-00422		PLATE,TIE ROD
22	M-00461		CLIP,MUNTIN,.386 HOLE
23	M-00272		3/8-16 THREADED ROD
24	M-00460		CLIP,MUNTIN,.500 HOLE
25	M-00416		T-NUT, 3/8"-16, TIE ROD
26	M-00462		CLIP,MUNTIN,.261 HOLE
27	T-00061		FHMS,1/4-20x1.000L.,PHIL,TRI-LOBE,ZINC
28	M-00428	Gyro Tech	SWITCH MODULE,3 ROCKER,NABCO
	M-00429	Porta Service	SWITCH MODULE,3 ROCKER,PORTA
29	M-01144	Gyro Tech	SWITCH, KEY - NABCO
	M-01145	Porta Service	SWITCH, KEY - PORTA SERVICE
30	M-00606		BUSHING, BOTTOM PIVOT, SWING PANEL
31	T-00007		FHMS,1/4-20x0.500L.,PHIL,UNDRUCUT,F-PT,ZN
32	M-00611		FLOOR PIVOT BRACKET
33	T-00009		PHSMS,6x0.375L,PHIL,TYPE AB,18-8 SS

Full Open Sidelite			
Item	Part	Finish/Sizes/Notes	Description
34	M-00442		END CAP
35	M-60260		RAMP, THRESHOLD EXTENSION,204,EXTRU
36	M-00295		THRESHOLD, FILLER
37	M-00291		THRESHOLD, BUMPER
38	M-60258		THRESHOLD,4-1/2 X 1/2,204,EXTRU
39	T-00008		FHSMS,1/4x2.750L.,PHIL,TAPCON,BLUE
40	A-00391		KIT,SHIM,INTERLOCK
41	M-00494		SHIM, INTERLOCK

SERVICE PARTS: SLIDE DOOR FOR FULL OPEN

Viewed from *Non-Break* Out Side

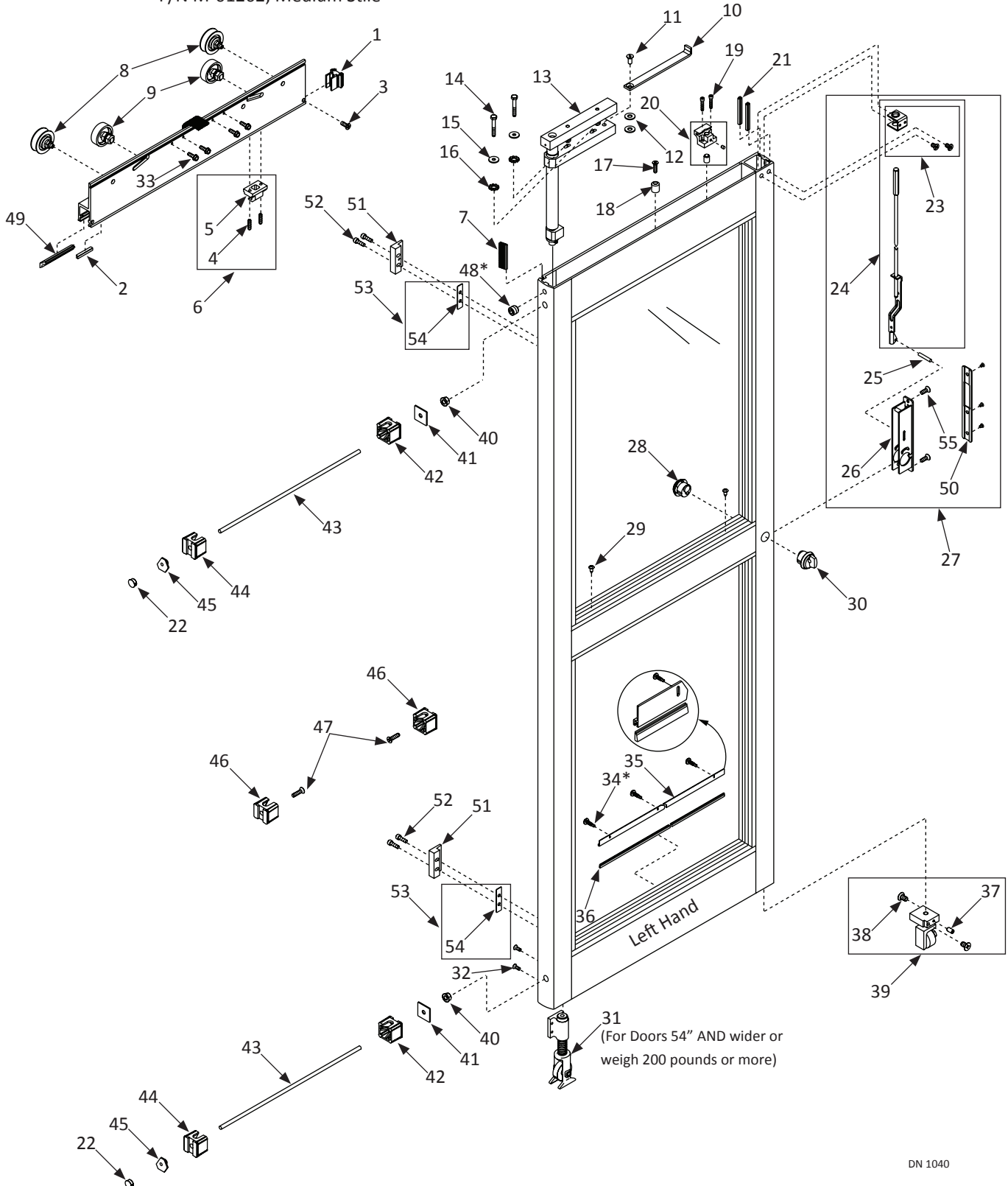


DN 1038

SERVICE PARTS: LEFT HAND SLIDE DOOR FOR FULL OPEN

Viewed from *Non-Break* Out Side

* Sold in Parts Bag P/N A-00404; Narrow Stile
P/N M-01262; Medium Stile

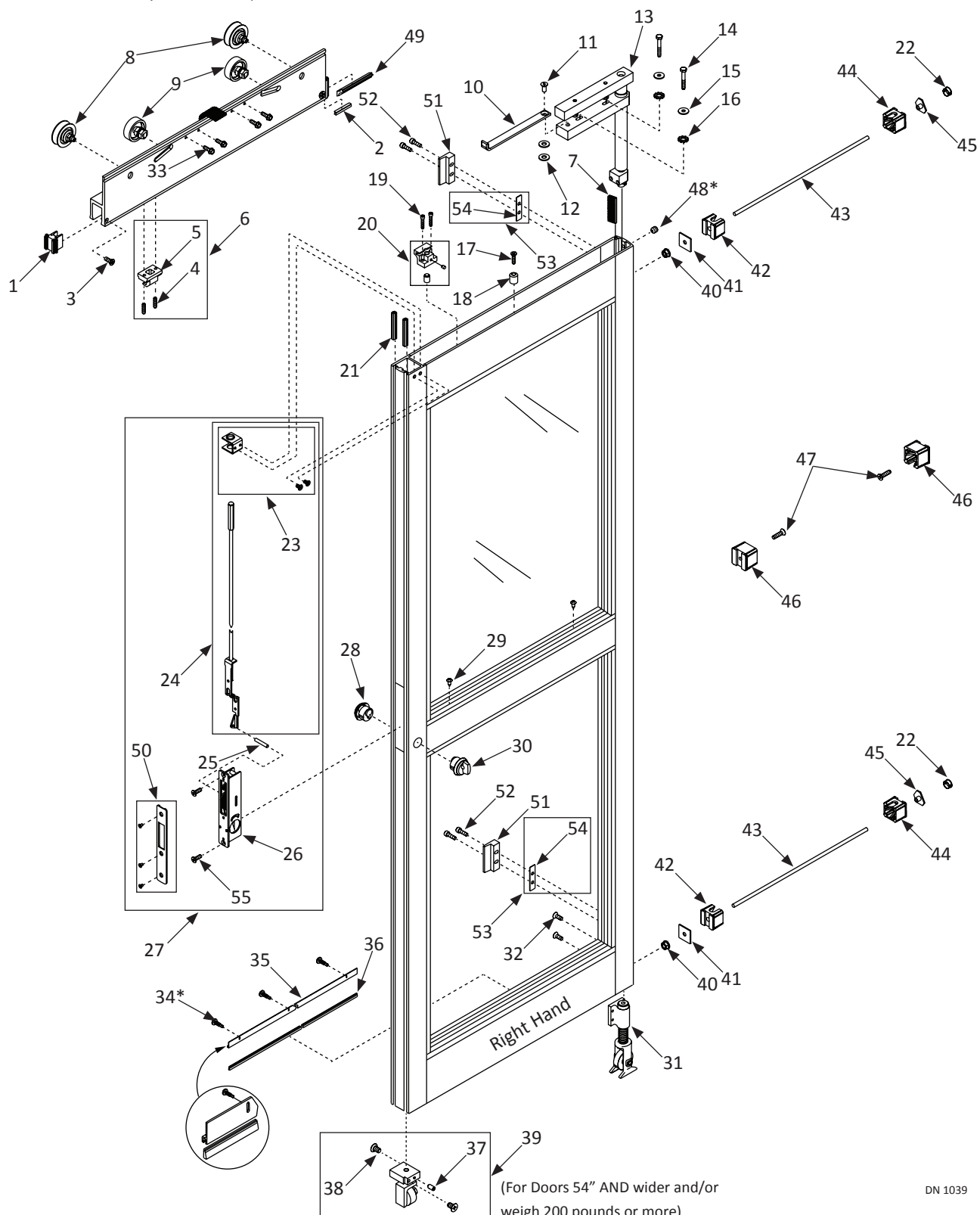


DN 1040

SERVICE PARTS: RIGHT HAND SLIDE DOOR FOR FULL OPEN

Viewed from *Non-Break* Out Side

* Sold in Parts Bag P/N A-00404; Narrow Stile
P/N M-01262; Medium Stile



DN 1039

Full Open Slide Door			
Item	Part	Finish/Sizes/Notes	Description
1	A-60133	Clear	"CARRIER END CAP,204"
	A-70133	Dark Bronze	CARRIER END CAP,313
2	M-00690		WEATHER, PILE .2
3	T-00006	Zinc	FHSMS,10x0.750L.,PHIL,ZINC
	T-00005	Black Zinc	FHSMS,10x0.750L.,PHIL,BLK ZN
4	T-00091		SHSS,5/16-18x1.250L.,CUP PT.
5	M-00483		PANIC CATCH RELEASE ASSEMBLY
6	A-00071		PANIC CATCH, UPPER,ASM.
7	A-00951		"BRUSH, NYLON, .56 LX1.875L."
8	A-00162		ROLLER, HANGER, ASSEMBLY, 1175
9	A-00163		AXLE ASSEMBLY-ANTI RISE ROLLER
10	A-00060	Narrow Stile	LIMIT ARM,SWING PANEL,ASM.NRW.STILE
	A-00406	Medium Stile	LIMIT ARM, SWING PANEL, MED STILE
11	T-00018		FHCS,7/16-14x1.000L.,ZINC
12	T-00484		WASHER,.469 ID,.922 OD,.065 THK,ZINC
13	A-00092		CARRIER,PIVOT,NARROW STILE
	A-00165		CARRIER, PIVOT ASSY, MED STILE
	A-00168		CARRIER PIVOT ASM. NRW PANEL & STILE
	A-00172		CARRIER,PIVOT,ASM.,NRW.PNL - MED.STILE
14	T-00028		HHCS,1/4-20x1.750L.,GR5,ZINC
15	T-00029		WASHER,.250 ID,.563 OD,.049 THK,ZINC
16	T-00087		WASHER, LOCK, EXT, 1/4 ID, ZINC
17	T-00061		FHMS,1/4-20x1.000L.,PHIL,TRI-LOBE,ZINC
18	M-00653		BRACKET, LIMIT ARM SUPPORT
19	T-00037		SHCS,1/4-20x1.250L.,ZINC
20	A-00069		PANIC CATCH, BOTTOM
21	M-00689		WEATHERING, PILE .45
22	T-00085		PLUG, DOME, .813 DIAMETER
23	M-01634		LOCK GUIDE (SUB COMPONENT OF LOCK ROD)
24	V-00094		LOCKROD, ADAMS-RITE #4015
25	T-00132		"PIN,ROLL,5/32D X 0.875L."
26	V-00005		LOCK, ADAMS-RITE #MS1853
27	A-00523		KIT,LOCK AND ROD
28	V-00116	Silver	CYLINDER,LOCK,THUMBTURN,204
	V-70116	Bronze	CYLINDER,LOCK,THUMBTURN,313
29	T-00098		PHSMS,10x0.563L.,PHIL,TYPE A
30	V-00123	Silver	CYLINDER,LOCK,KEYED,204
	V-70123	Bronze	CYLINDER,LOCK,KEYED,313
31	A-00063	Narrow Stile	ROLLER GUIDE,BOTTOM,ASM.
	A-00692	Medium Stile	CASTED BOTTOM ROLLER GUIDE ASSEMBLY
32	T-00027		PHMS,10-32x0.500L.,PHIL.ZINC
33	T-00010		HHCS,1/4-20x0.750L.,WHIZLOCK,ZINC

Full Open Slide Door			
Item	Part	Finish/Sizes/Notes	Description
34	T-00222	Smoke Seal Only/Zinc	PHSMS,6x0.500L.,PHIL,TEKS,ZINC
	T-00260	Smoke Seal Only/Black Zinc	PHSMS,6x0.500L. PHIL,TEKS BLK ZN
35	M-60278	Clear	HOLDER,WEATHERING BRUSH,204,EXTRU
	M-70278	Dark Bonze	HOLDER,WEATHERING BRUSH,313,EXTRU
	M-90278	Bone White	HOLDER:WEATHERING BRUSH:BW:EXTRU
36	M-00274		BRUSH, NYLON, 1" STEPPED
	M-00698		BRUSH, NYLON, 1.5"
37	T-00105		SHSS,8-32x0.313L.,CUP PT.
38	T-00016	Zinc	FHMS,1/4-20x0.438L.,PHIL,UNDERCUT,ZINC
	T-00108	Black Oxide	FHMS,1/4-20x0.438L.,PHIL,UNDERCUT,BLK ZN
39	A-00198	.090 Narrow Stile	NOSE CASTER ASSY, NAR
	A-00207	.125 Medium Stile	NOSE CASTER ASSY, MED
40	T-00025	Zinc	NUT,WHIZLOCK,3/8-16,ZINC
41	M-00422		PLATE,TIE ROD
42	M-00461		CLIP,MUNTIN,.386 HOLE
43	M-00272		3/8-16 THREADED ROD
44	M-00460		CLIP,MUNTIN,.500 HOLE
45	M-00416		T-NUT, 3/8"-16, TIE ROD
46	M-00462		CLIP,MUNTIN,.261 HOLE
47	T-00061		FHMS,1/4-20x1.000L.,PHIL,TRI-LOBE,ZINC
48	T-00019	Black Oxide	SHSS,5/16-24x0.313L.,CUP PT.
49	M-60288	Clear	INTERFACE LEG,204,EXTRU
	M-70288	Dark Bronze	INTERFACE LEG,313,EXTRU
50	V-00014	Clear	COVER,MS LOCK,W/ CUTOUT,204
	V-70014	Dark Bronze	COVER,MS LOCK,W/ CUTOUT,313
51	M-00440		INTERLOCK, PLASTIC, 1175
52	T-00078		PHMS,10-32x0.625L.,PHIL,ZINC
53	A-00391		KIT,SHIM,INTERLOCK
54	M-00494		SHIM, INTERLOCK
55	T-00043	Zinc	FHMS,10-24x0.375L.,PHIL,UNDERCUT,ZINC
	T-00045	Black Oxide	FHMS,10-24x0.375L.,PHIL,UNDERCUT,BLK ZN