



GT 1505 Bump Out Convenience Window
****with U30 Microprocessor Control; Revision "E" Software****
Installation Manual
 P/N C-00208 Rev 1-4-18

Nabco Entrances Inc. S82 W18717 Gemini Drive Muskego, Wisconsin 53150
 Phone: (877) 622-2694 Fax: (888) 679-3319 www.nabcoentrances.com
 NABCO hours of Operation: Monday to Friday 8:00 a.m.- 4:30 p.m. (Central Time)

*Associated Manuals Part Numbers: GT 1505 Convenience Window Owner's Manual P/N C-00315
 U30 Microprocessor Control Setup and Programming Manual P/N C-00203*

WARNING

- Turn OFF all power to the Automatic Convenience Window if a Safety System isn't working.
- Instruct the Owner to keep all power turned OFF until corrective action can be achieved by a NABCO trained technician. Failure to follow these practices may result in serious consequences.
- NEVER leave a Window operating without all Safety detection systems operational.

Table of Contents

CHAPTER 1: WARNING LABELS 2

CHAPTER 2: GENERAL SAFETY RECOMMENDATIONS 2

CHAPTER 3: SCOPE 3

SECTION 3.1: To the Installer 3

SECTION 3.2: Objective. 3

CHAPTER 4: GETTING STARTED. 3

SECTION 4.1: Common Service Parts. 3

SECTION 4.2: Electrical Specifications 3

CHAPTER 5: INSTALL THE BUMPOUT WINDOW. 3

SECTION 5.1: Inspect the Rough Opening 3

SECTION 5.2: Secure Window Frame to Building 4

CHAPTER 6: GENERAL WIRING 5

SECTION 6.1: Wire Unit to Power Supply 5

SECTION 6.2: General Wiring Diagram 6

CHAPTER 7: ADJUST THE DRIVE BELT. 6

CHAPTER 8: HANDY TERMINAL PROGRAMMING 7

CHAPTER 1: WARNING LABELS

Warning labels are universal and used to alert an individual of potential harm to one's self or to others. The following warning labels are listed in a hierarchy order that defines the most potential danger first, and the least potential danger last. Please refer to this page in the event that a warning label is displayed within this manual and further definition needs to be explained.

DANGER Indicates potentially dangerous situations. Danger is used when there is a hazardous situation where there is a *high* probability of severe injury or death. It should not be considered for property damage unless personal injury risk is present.

WARNING Indicates a hazardous situation which has *some* probability of severe injury. It should not be considered for property damage unless personal injury risk is present.

CAUTION Indicates a hazardous situation which *may result in a minor injury*. Caution should not be used when there is a possibility of serious injury. Caution should not be considered for property damage accidents unless a personal injury risk is present.

Attention: A situation where material could be damaged or the function impaired.

Notice: Indicates a statement of company policy as the message relates to the personal safety or protection of property. Notice should not be used when there is a hazardous situation or personal risk.

Note: Indicates important information that provides further instruction.

CHAPTER 2: GENERAL SAFETY RECOMMENDATIONS

WARNING Do not install, operate or service this product unless you have read and understand the General Safety Recommendations, Warning Labels, contained in this manual. Failure to do so may result in bodily injury, or property damage.

WARNING Read, study and understand the installation and operating instructions contained in, or referenced in this manual before operating. If you do not understand the instruction, ask a qualified technician. Failure to do so may result in bodily injury, or property damage and will nullify all warranties.

DANGER Disconnect all power to the junction box prior to making any electrical connections. Failure to do so may result in serious personal or fatal injury. When uncertain whether power supply is disconnected, always verify using a voltmeter.

DANGER Do not place finger or uninsulated tools inside the electrical controller. Touching wires or other parts inside the enclosure may cause electrical shock, serious injury or death.

CAUTION If the window appears broken or does not seem to work correctly, it should be immediately removed from service until repairs can be carried out or a qualified service technician is contacted for corrective action.

CAUTION Handle Glass With Care!!! Use caution when moving and installing the glass panels. These panels are designed to be assembled with tempered glass. Any sharp objects that come in contact with glass may cause the glass to shatter. NABCO Entrances is not responsible for glass that is broken during the installation of this Unit.

Notice: This manual, the owner's manual and all other associated manuals must be given to and retained by the purchasing facility or end user.

Notice: Wiring must meet all local, state, federal or other governing agency codes.

Notice: All electrical troubleshooting or service must be performed by qualified electrical technicians and must comply with all applicable governing agency codes.

CHAPTER 3: SCOPE

SECTION 3.1: To the Installer

The purpose of this manual is to familiarize the installer and purchaser with the proper installation and operation of this system. It is essential that this equipment be properly installed and operational before the window is used in conjunction with the public. In the United States, ANSI Standard 156.38 applies. Other local standards or codes may apply. Use them in addition to the ANSI standards.

The owner should determine the window is operating properly and should immediately call for service if there is any malfunction. All installation changes and adjustments must be made by qualified, NABCO trained technicians.

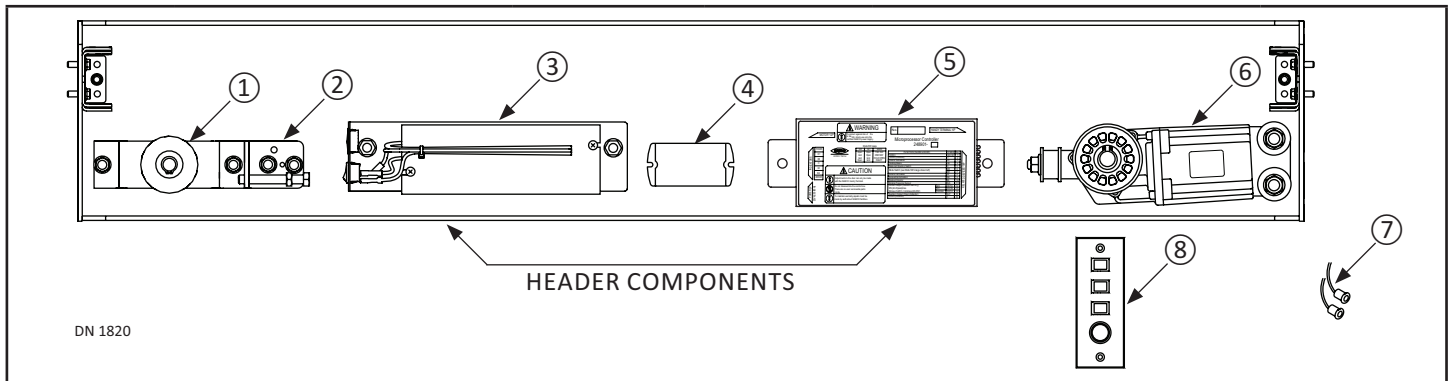
If after troubleshooting a problem, a satisfactory solution cannot be achieved, please call Nabco Entrances at 1-877-622-2694 between 8 am – 4:30 pm Central time for additional assistance. All installation changes and adjustments must be made by qualified, NABCO trained technicians.

SECTION 3.2: Objective

Bumpout Convenience Windows were developed for commercial use in businesses that offer Drive-Thru service and are energy efficient. The objective is to increase server productivity.

CHAPTER 4: GETTING STARTED

SECTION 4.1: Common Service Parts



Component	Description	Part Number	Component	Description	Part Number
1	Idler Pulley	A-00042	5	U30 Microprocessor Control	V-00020
2	Drive Belt Tensioner	A-00078	6	Motor/Operator Assembly	M-00395
3	Power Supply	A-00717	7	Holding Beam w/Ext Cable	V-00073
4	Photoeye, Optex Assy	A-00129	8	Rocker Switch	A-01356

SECTION 4.2: Electrical Specifications

Note: All power wiring and component wiring has been pre-installed at the NABCO Factory. Only the Junction Box must be connected to a power supply by a licensed electrician.

Model	Electrical Specification
GT 1505 without Air Curtain	120 (±10%) AC 50-60Hz, 1/2 Amp
GT 1505 with Unheated Air Curtain	120 (±10%) AC 50-60Hz, 2 Amps
GT 1505 with Heated Air Curtain	120 (±10%) AC 50-60Hz, 15 Amps

CHAPTER 5: INSTALL THE BUMPOUT WINDOW

SECTION 5.1: Inspect the Rough Opening

1. Ensure the Rough Opening equals: Package Width + 1/4 inch on each side, and Package height + 1/4 inch on Top and Bottom.
2. Ensure the Rough Opening is level. If the bottom is not level, be prepared to shim the unit.
3. Inspect the area around the rough opening. There should be no obstructions that will interfere with the installation or performance of the unit.

4. Clean away any debris in and around the rough opening.
 - a. If there is an existing window, it must be removed safely, and stored away from the installation area.
 - b. Any existing debris, metal chips and caulking must be cleared away.

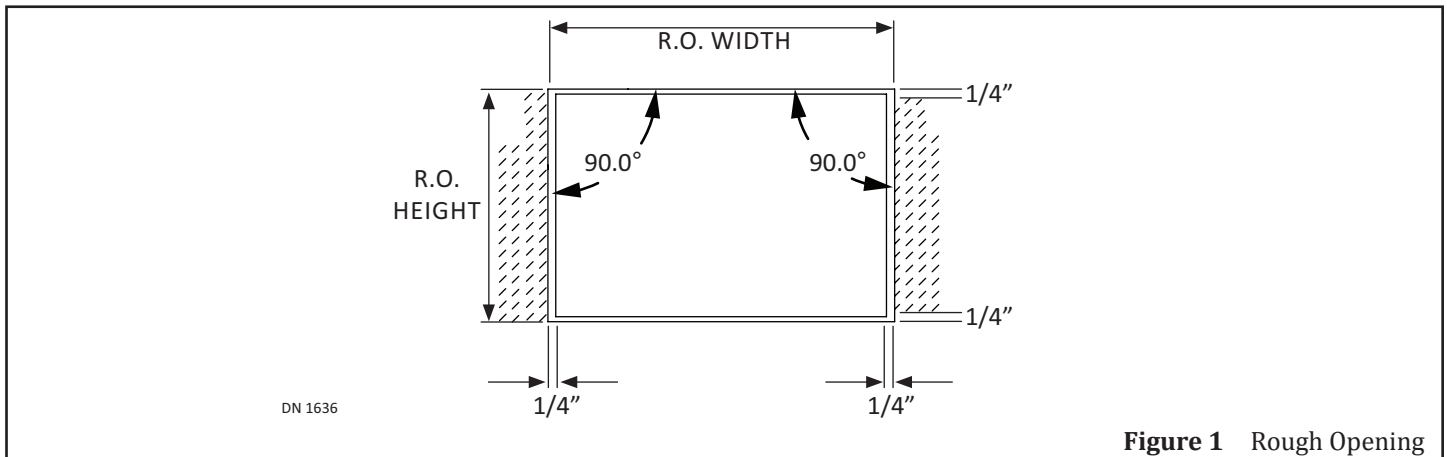


Figure 1 Rough Opening

SECTION 5.2: Secure Window Frame to Building

WARNING Ensure there is proper reinforcing in wall to anchor unit properly.

Notice: The GT-1505 Convenience Window is assembled at the NABCO Entrances Factory. No disassembly is required. If any part of the GT-1505 Bump Out Convenience Window is disassembled during installation, it will be the responsibility of the Installer to return the Unit back to its original factory condition.

1. Go to the bottom of Window (at the back). Remove (6) 10x24 Flat Head screws to remove (1) Access Cover. Set aside.
2. Insert the Window into the Rough Opening so the Bumpout is on the Exterior side.
3. Shim the top, bottom, and sides of Window Frame so it is plumb and level. It is recommended to use a (4) foot Level.

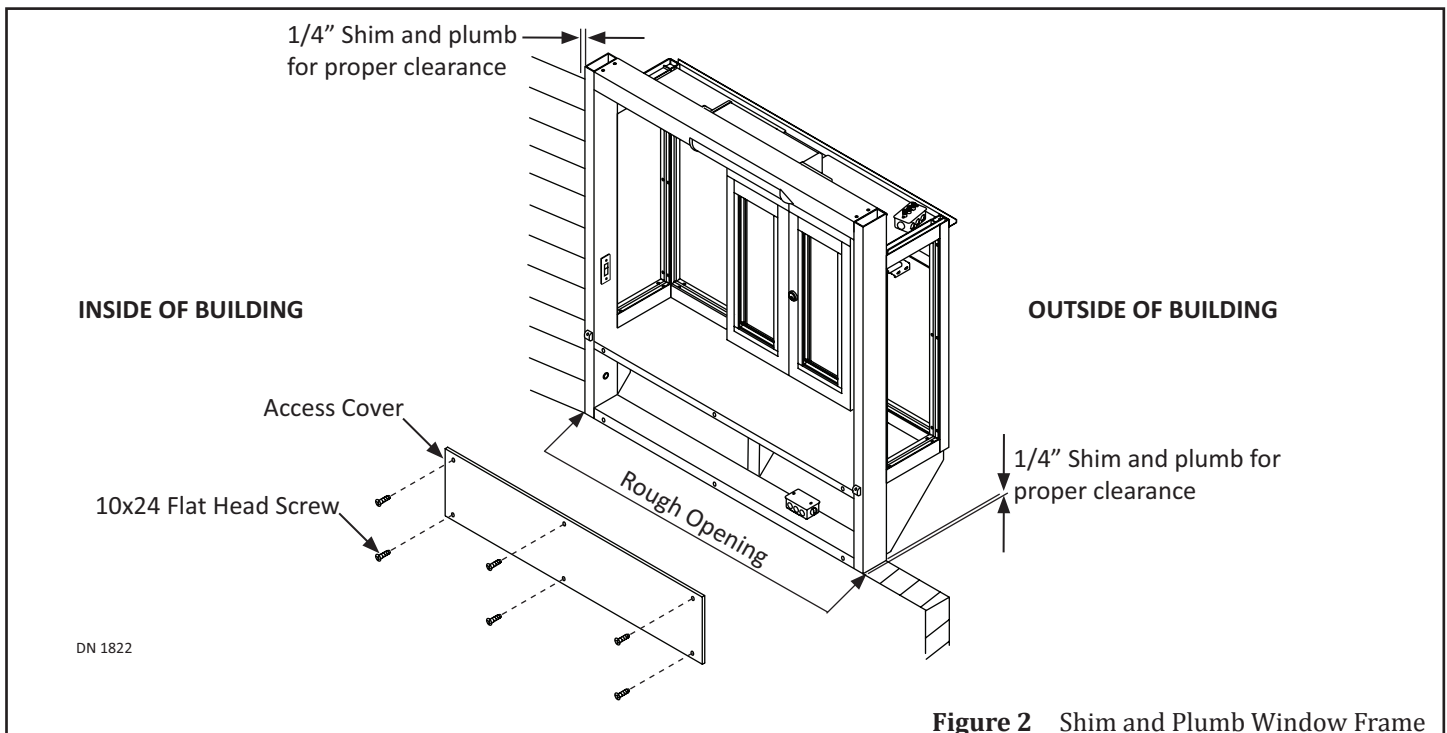


Figure 2 Shim and Plumb Window Frame

WARNING Do Not drill into electrical wiring within Jamb Tubes. Drill within 3 inches at the Top and Bottom only.

- 4. Mark and drill a minimum of (2), 1/4 inch diameter screw holes (within 3 inches) from the top and bottom in each Jamb Tube.
 - a. It is recommended to countersink each screw hole.
 - b. Use an appropriate tap drill to drill a pilot hole.

Attention: The Window Frame can also be secured to Rough Opening through the Header and at the Bottom.

- 5. Secure Jamb Tubes with 1/4 inch diameter screws.
 - a. Fasteners are not provided by NABCO.
 - b. Ensure each visible screw head is flush on face of Jamb Tube.
 - c. Do not overtighten fasteners to prevent deforming the Jamb Tube.
- 6. Apply a caulking bead between the Window Unit and Rough Opening (inside and outside).

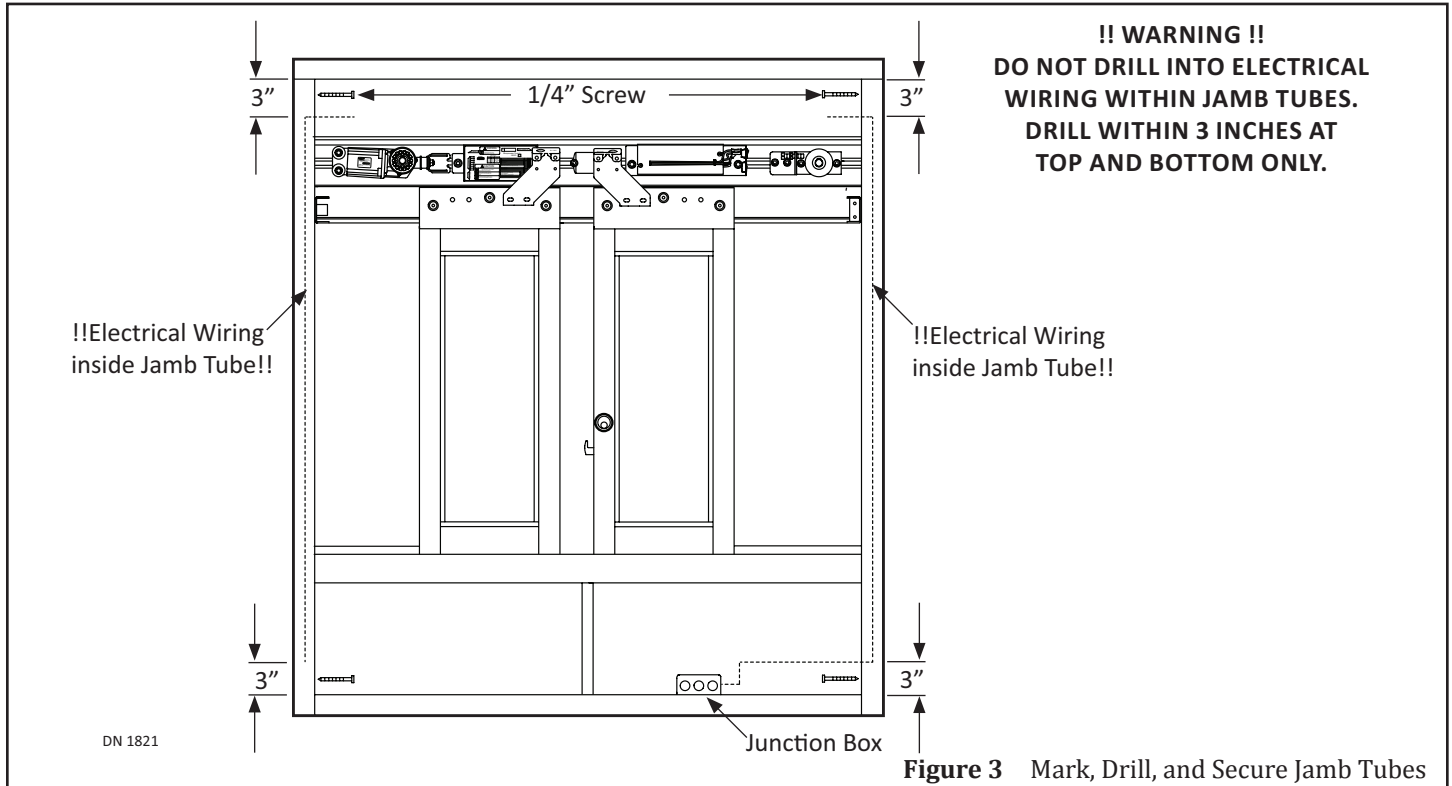


Figure 3 Mark, Drill, and Secure Jamb Tubes

CHAPTER 6: GENERAL WIRING

WARNING Shut OFF the installation site, branch Circuit Breaker. Failure to do so may result in serious personal or fatal injury. When uncertain whether power supply is disconnected, always verify using a voltmeter.

WARNING All high voltage electrical connections must be made by licensed electricians according to National and Local electrical codes/regulations.

Attention: Electrical circuit to Nabco operator must not be shared with other equipment such as lighting, cash registers, or any device that might cause electrical interference on the circuit.

SECTION 6.1: Wire Unit to Power Supply

- 1. Connect Branch wiring to Junction Box located at the bottom of Unit.

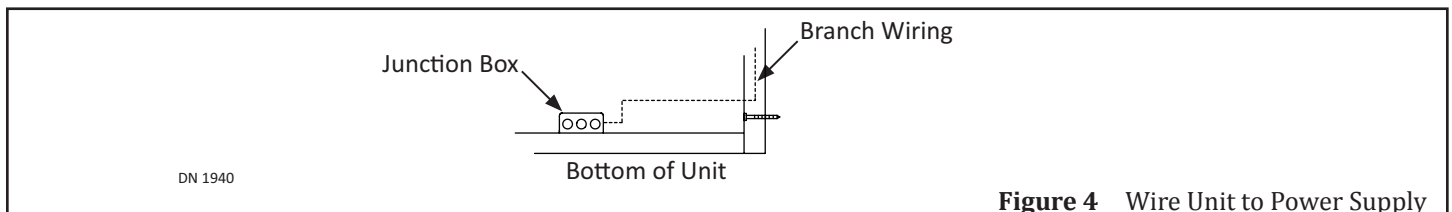
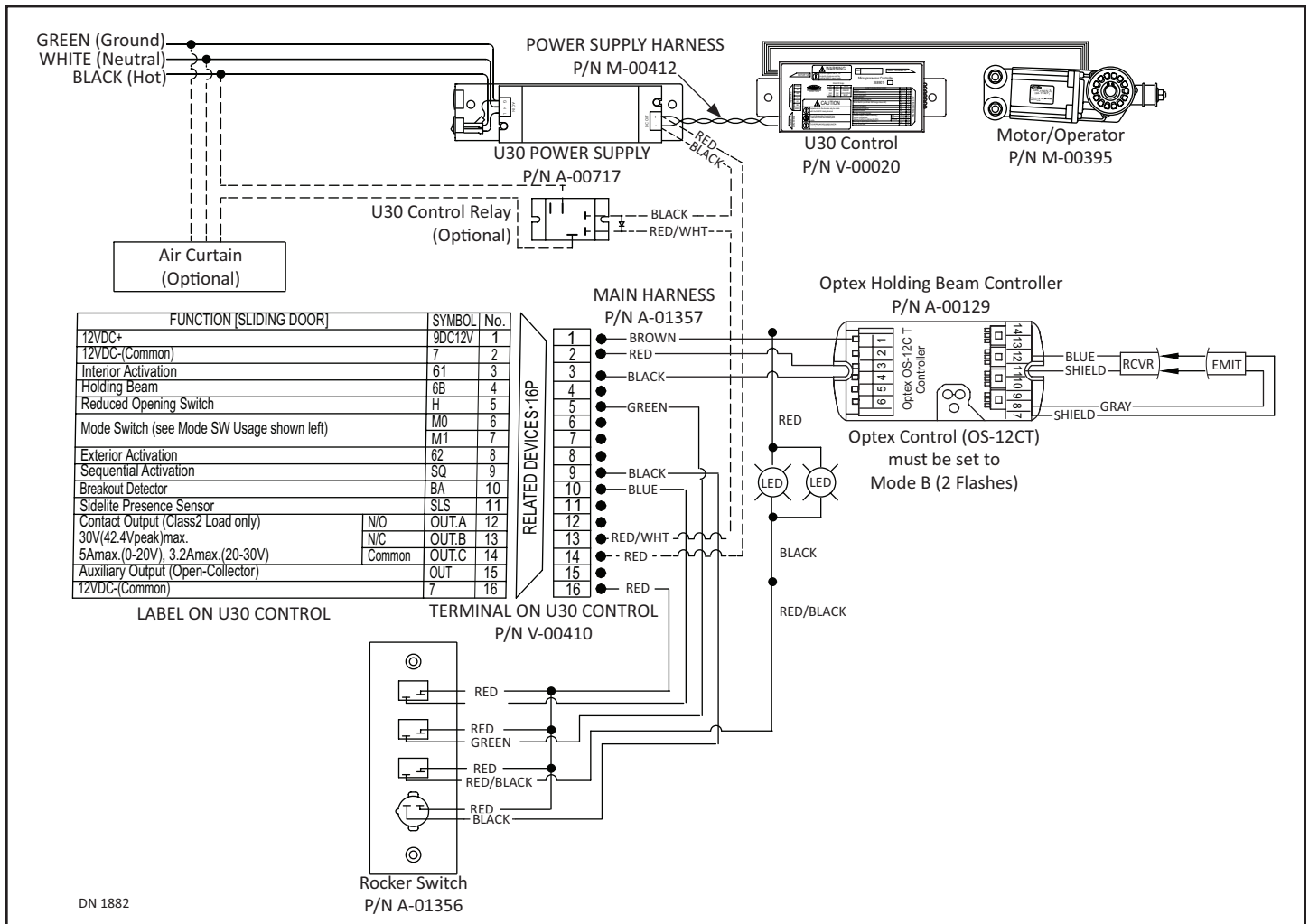


Figure 4 Wire Unit to Power Supply

SECTION 6.2: General Wiring Diagram



CHAPTER 7: ADJUST THE DRIVE BELT

Note: Adjust the Drive Belt only if it is too slack/too tight causing the Convenience Window not to open/close properly.

1. Go to the Idler Pulley. Loosen (2) Nuts.
2. Go to the Adjustment Bracket. Loosen (1) Jamb Nut.
3. Turn the Adjustment Bolt:
 - ▶ Clockwise to tighten the Drive Belt
 - ▶ Counter Clockwise to loosen the Drive Belt
4. Retighten (1) Jamb Nut and (2) Nuts.

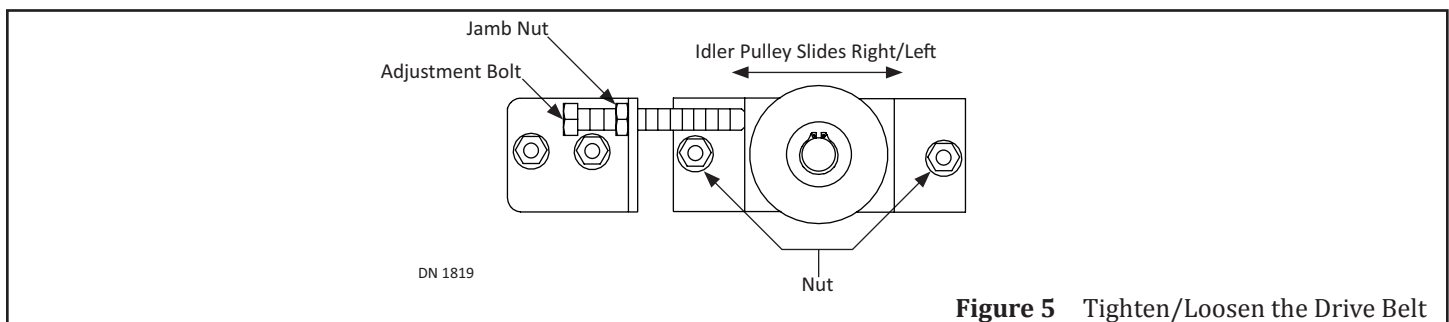


Figure 5 Tighten/Loosen the Drive Belt

CHAPTER 8: HANDY TERMINAL PROGRAMMING

Attention: The following table lists programming values that are both default, and unique to the Bumpout Window. For detailed description of each value listed below, please refer to the U30 E Setup and Programming Manual; P/N C-00203 (provided within the Decal Packet).

Note: Extra Functions Adjustments settings are only available with the use of the Blue Handy Terminal.

1. Upon initializing the Handy Terminal, press the ENTRY button until the desired Adjustment Function is displayed.
2. Start the programming ➡ Press the Shift buttons to select Y ➡ Press ENTRY

Unique Values for Bumpout Window and NABCO Default Quick Reference Table			
Adjustment	Value Description	Unique to Bumpout	NABCO Default
Standard Function Adjustment	Opening Speed		3
	Closing Speed		2
	Time Delay		2
Feeling Adjustments	Start Power		3
	Check Power		6
	Reaction Power		4
	Back Check Speed		1
	Latch Check Speed		1
Special Function Adjustments	Hold Close	N	Y
	Holding Beam		Y
	Recycle/Rotation Direction	Y	N
	After Recycle		Y
	Recycle Sensitivity	0	1
	Reduced Opening	Y	-
	Auxiliary Output	3	3
	Power On	1	0
	Manual Opening		0
	Extended Time Delay		7
Extra Function Adjustments	Function (1)		N
	Function (2)		N
	Function (3)		N
	Function (4)		N
	Function (5)	Y	N
	Function (6)		N
	Function (11)		0
	Function (12)		0
	Function (13)		1
	Function (14)		0
	Function (15)	0	0
	Function (16)		0
	Function (17)	0	1
	Function (18)	0	3
	Function (21)		0
Function (22)		0	
Function (23)		7	