



Model GT1500M Manual Convenience Window
Installation Manual
P/N C-00287 Rev 8-3-21

Nabco Entrances Inc. S82 W18717 Gemini Drive Muskego, Wisconsin 53150
Phone: (877) 622-2694 Fax: (888) 679-3319 www.nabcoentrances.com
NABCO hours of Operation: Monday to Friday 8:00 a.m.- 4:30 p.m. (Central Time)

Associated Manuals Part Numbers: GT1500 Convenience Window Owner's Manual; P/N C-00318
GT 1505 Bumpout Convenience Window Installation Manual; P/N C-00208

Table of Contents

CHAPTER 1: WARNING LABELS 2
CHAPTER 2: GENERAL SAFETY RECOMMENDATIONS 2
CHAPTER 3: SCOPE 3
SECTION 3.1: To the Installer 3
SECTION 3.2: Objective 3
CHAPTER 4: GETTING STARTED 3
SECTION 4.1: Mechanical Configurations 3
SECTION 4.2: Anchors and Fasteners 3
SECTION 4.3: Handling of Glass 3
CHAPTER 5: BEFORE ASSEMBLING WINDOW FRAME 3
CHAPTER 6: INSTALL THE "MANUAL" WINDOW 4
SECTION 6.1: Shim and Plumb the Window 4
SECTION 6.2: Secure Jamb Tubes and Header to Opening 4
CHAPTER 7: GLAZING 6
SECTION 7.1: Install the Glass Stops for Transom 6
SECTION 7.2: Install the Slide Window Panel 7
CHAPTER 8: WEATHERING 8
CHAPTER 9: ADJUST WINDOW HEIGHT 8
CHAPTER 10: MAINTENANCE 9
SECTION 10.1: Slide Window Safety Check 9
SECTION 10.2: Threshold Maintenance 9
SERVICE PARTS: HEADER 10
SERVICE PARTS: SLIDE WINDOW AND SIDELITE 11

## CHAPTER 1: WARNING LABELS

Warning labels are universal and used to alert an individual of potential harm to one's self or to others. The following warning labels are listed in a hierarchy order that defines the most potential danger first, and the least potential danger last. Please refer to this page in the event that a warning label is displayed within this manual and further definition needs to be explained.

**DANGER** Indicates potentially dangerous situations. Danger is used when there is a hazardous situation where there is a *high* probability of severe injury or death. It should not be considered for property damage unless personal injury risk is present.

**WARNING** Indicates a hazardous situation which has *some* probability of severe injury. It should not be considered for property damage unless personal injury risk is present.

**CAUTION** Indicates a hazardous situation which *may result in a minor injury*. Caution should not be used when there is a possibility of serious injury. Caution should not be considered for property damage accidents unless a personal injury risk is present.

**Attention:** A situation where material could be damaged or the function impaired.

**Notice:** Indicates a statement of company policy as the message relates to the personal safety or protection of property. Notice should not be used when there is a hazardous situation or personal risk.

*Note:* Indicates important information that provides further instruction.

## CHAPTER 2: GENERAL SAFETY RECOMMENDATIONS

**WARNING** Do not install, operate or service this product unless you have read and understand the General Safety Recommendations, Warning Labels, contained in this manual. Failure to do so may result in bodily injury, or property damage.

**WARNING** Read, study and understand the installation and operating instructions contained in, or referenced in this manual before operating. If you do not understand the instruction, ask a qualified technician. Failure to do so may result in bodily injury, or property damage and will nullify all warranties.

**CAUTION** If the GT1500 Convenience Window appears broken or does not seem to work correctly, it should be immediately removed from service until repairs can be carried out or a qualified service technician is contacted for corrective action.

**Notice:** This manual must be given to and retained by the purchasing facility or end user.

**Notice:** If any part of the GT1500 Convenience Window is disassembled during installation, it will be the responsibility of the Installer to return the Unit back to its original factory condition.

## CHAPTER 3: SCOPE

### SECTION 3.1: To the Installer

The purpose of this manual is to familiarize the installer and purchaser with the proper installation and operation of the Convenience Window. It is essential that this equipment be properly installed and operational before the window is used by the public. It is the purchaser's responsibility to inspect the operation of the Convenience Window to be sure it complies with any applicable standards.

Instruct the building owners/operator on the essentials of the operation of the window. The owner should follow these instructions to determine whether the window is operating properly and should immediately call for service if there is any malfunction. All installation changes and adjustments must be done by qualified, NABCO trained technicians.

### SECTION 3.2: Objective

The Convenience Window is designed to be installed within a Rough Opening of a Building, or Mounted on the Interior Surface. This manual offers step by step instructions.

## CHAPTER 4: GETTING STARTED

### SECTION 4.1: Mechanical Configurations

- ▶ Single Slide: (1) Slide Window that slides to the right or left with (1) Sidelite Panel.
- ▶ Bi-Part: (2) Slide Windows that slides apart from the center with (2) Sidelite Panels.

### SECTION 4.2: Anchors and Fasteners

Use Anchors and Fasteners to mount the Window Frame into the Opening. The quantity and type of fasteners used, depend on the Type of material the Window Frame is being fastened to, and the size of the Window.

- ▶ Fasteners are not provided by NABCO.
- ▶ It is recommended to countersink each 1/4 inch diameter hole.
- ▶ Use an appropriate tap drill to drill a pilot hole.
- ▶ Ensure each visible screw head is flush on the face of Jamb Tubes.
- ▶ Do not overtighten fasteners to prevent deforming Jamb Tubes.
- ▶ Ensure screw heads do not come in contact with edges of glass to prevent damage.

### SECTION 4.3: Handling of Glass

Handle Glass With Care. Use caution when moving and installing the glass panels. These panels are designed to be assembled with tempered glass. Any sharp objects that come in contact with glass may cause the glass to shatter. NABCO Entrances is not responsible for glass that is broken during the installation of this Unit.

## CHAPTER 5: BEFORE ASSEMBLING WINDOW FRAME

### SECTION 5.1: Inspect the Rough Opening

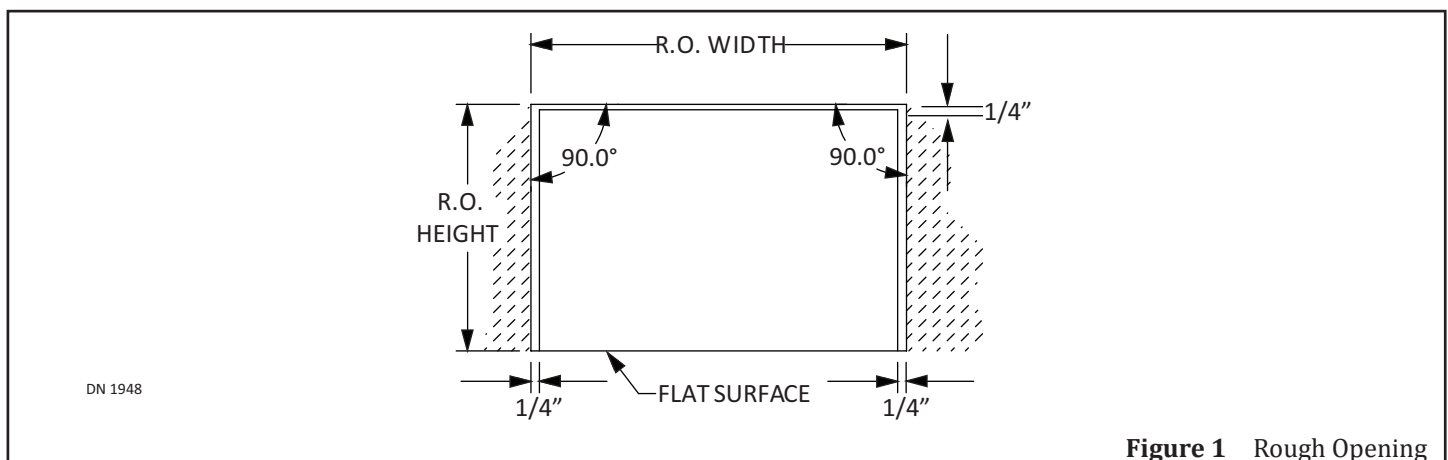


Figure 1 Rough Opening

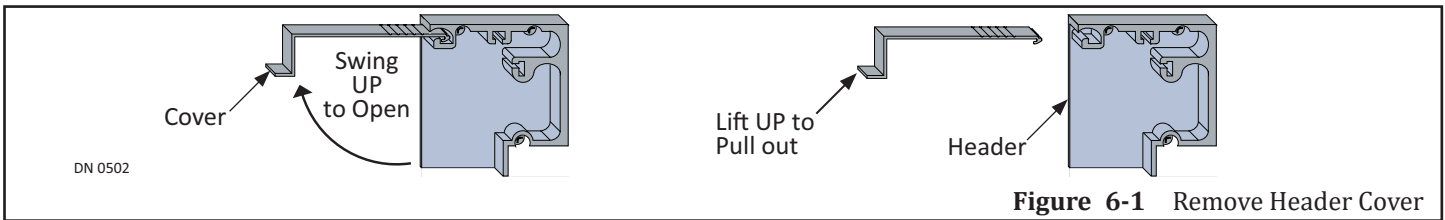
1. Ensure the Rough Opening is correct size.
  - ▶ The recommended width of the Rough Opening should equal: **PACKAGE WIDTH + 1/4 INCH ON EACH SIDE**
  - ▶ The recommended height of the Rough Opening should equal: **PACKAGE HEIGHT + 1/4 INCH**

*Note: Make allowances for tile or other existing materials that may change the opening height/width.*

2. Ensure the Flat Surface is level across the entire opening.
3. Inspect the area around the rough opening. There should be no obstructions that will interfere with the installation or performance of the unit. Clean away any debris, metal chips, or caulking in and around the rough opening.

**SECTION 5.2: Remove the Header Cover**

1. Remove (2) 10-24 x 0.625 inch screws
1. Remove Header Cover by lifting it up and then pulling it out.

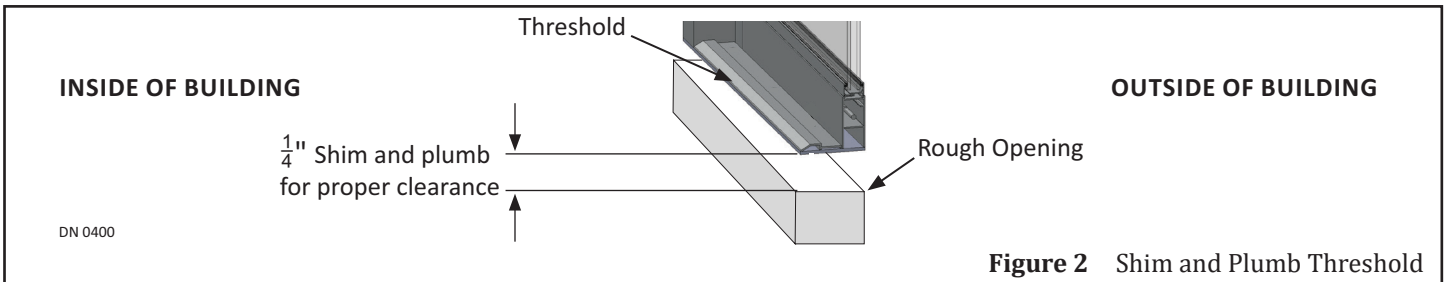


**Figure 6-1** Remove Header Cover

**CHAPTER 6: INSTALL THE “MANUAL” WINDOW**

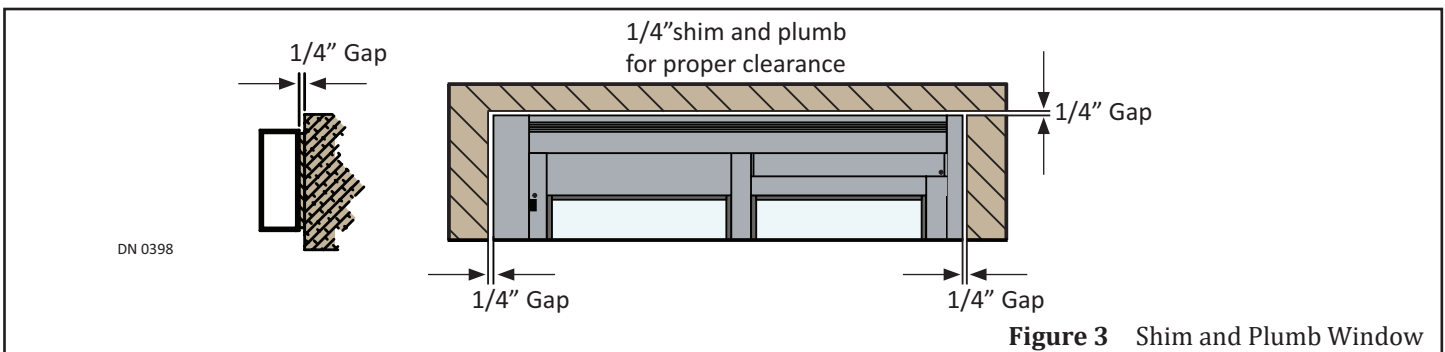
**SECTION 6.1: Shim and Plumb the Window**

1. Lift to position the Window into Opening so Threshold is inside the building.



**Figure 2** Shim and Plumb Threshold

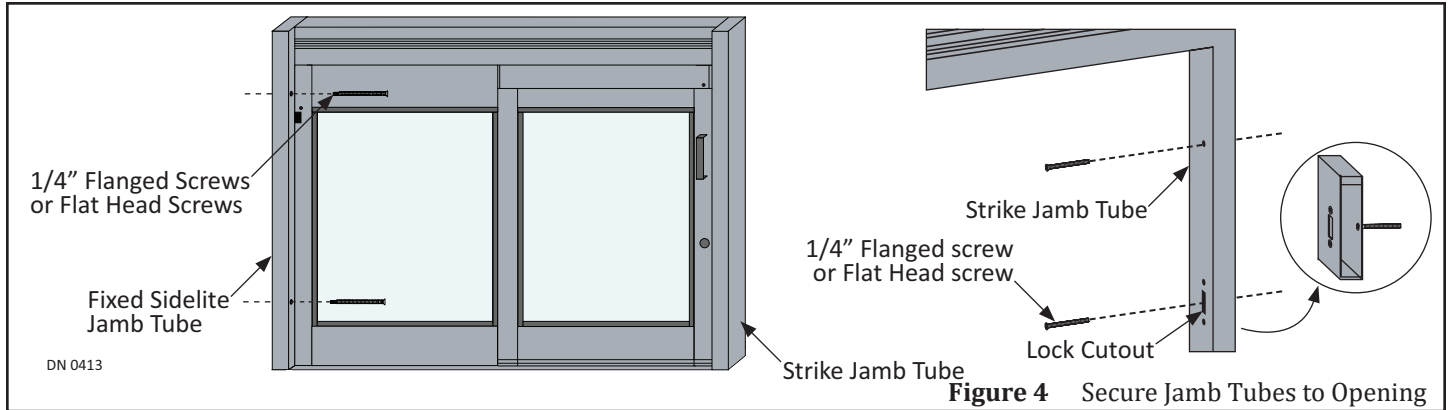
2. Plumb Window to ensure the Opening allows a 1/4 inch clearance all the way around. Shim as required.



**Figure 3** Shim and Plumb Window

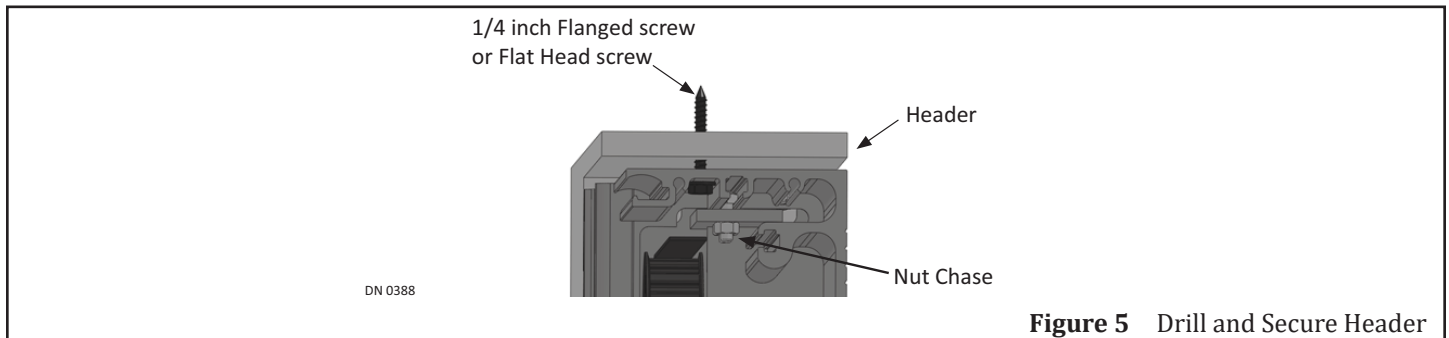
**SECTION 6.2: Secure Jamb Tubes and Header to Opening**

1. From inside the building, mark and drill a minimum of (2) evenly spaced, 1/4 inch screw holes into each Jamb Tube.
  - a. Insert (1) 1/4 inch screw into the Lock Cutout on Strike Jamb to secure Window to Opening.
2. Secure the Each Jamb Tube with 1/4 inch diameter fasteners.



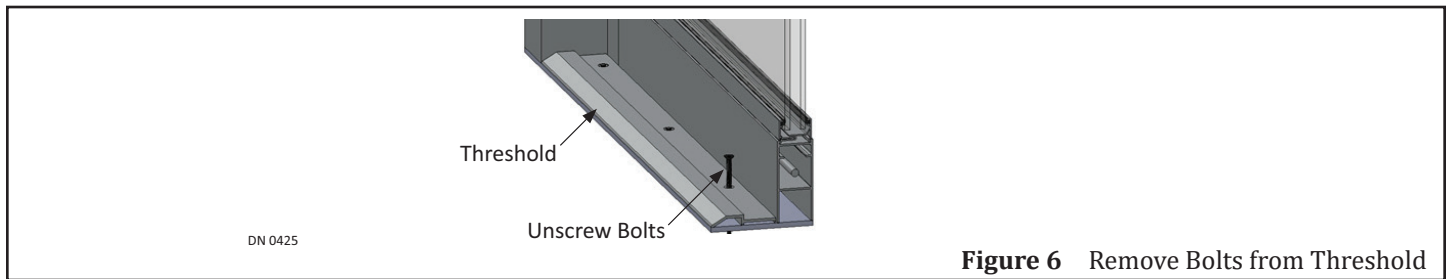
**Figure 4** Secure Jamb Tubes to Opening

3. Go inside the Header. Mark and drill 1/4 inch screw holes in front of the Nut Chase.
4. Secure the Header with 1/4 inch diameter fasteners. Do not overtighten fasteners to prevent deforming the Header.



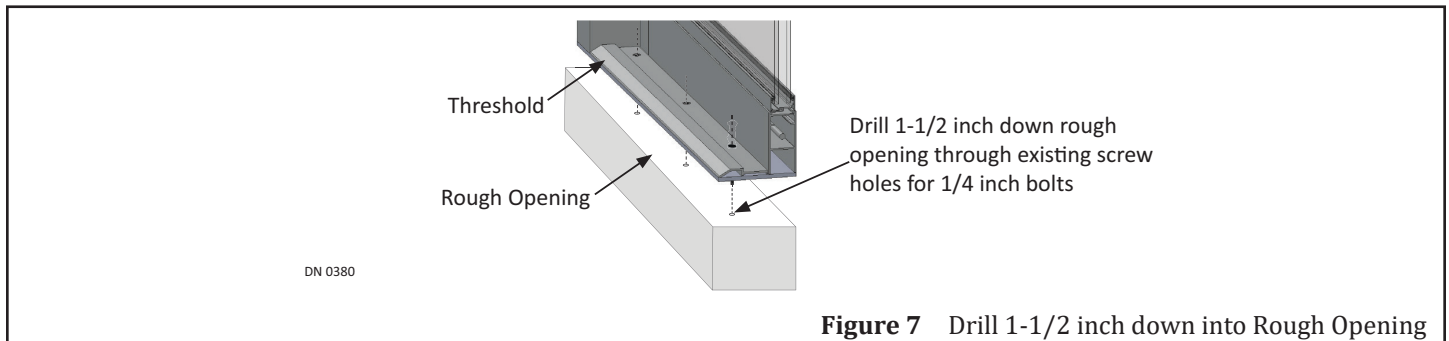
**Figure 5** Drill and Secure Header

5. Go to the Threshold. Remove all Bolts used to keep the Threshold Components together. If only removing (2) Bolts, it is recommended to remove the (2) middle Bolts, or the (2) end Bolts.



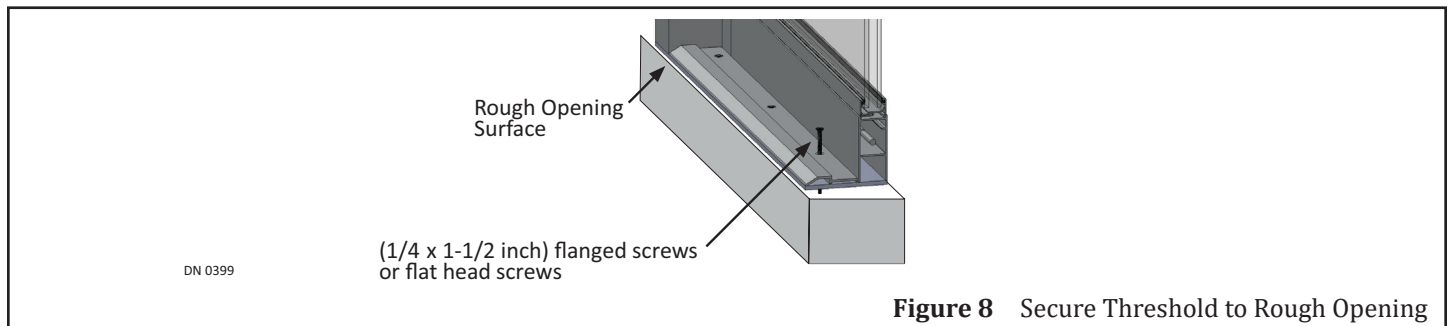
**Figure 6** Remove Bolts from Threshold

6. Drill 1/4 inch screw holes through the existing screw holes approximately 1-1/2 inch down the flat surface.



**Figure 7** Drill 1-1/2 inch down into Rough Opening

7. Secure Threshold to the Opening with (1/4 x 1-1/2 inch) Flange screws or Flat Head screws.



## CHAPTER 7: GLAZING

### CAUTION

Use caution when moving and installing the glass panels. These panels are constructed with tempered glass. Any sharp objects that come in contact with the glass may cause the glass to break. NABCO Entrances, Inc. is not responsible for broken glass.

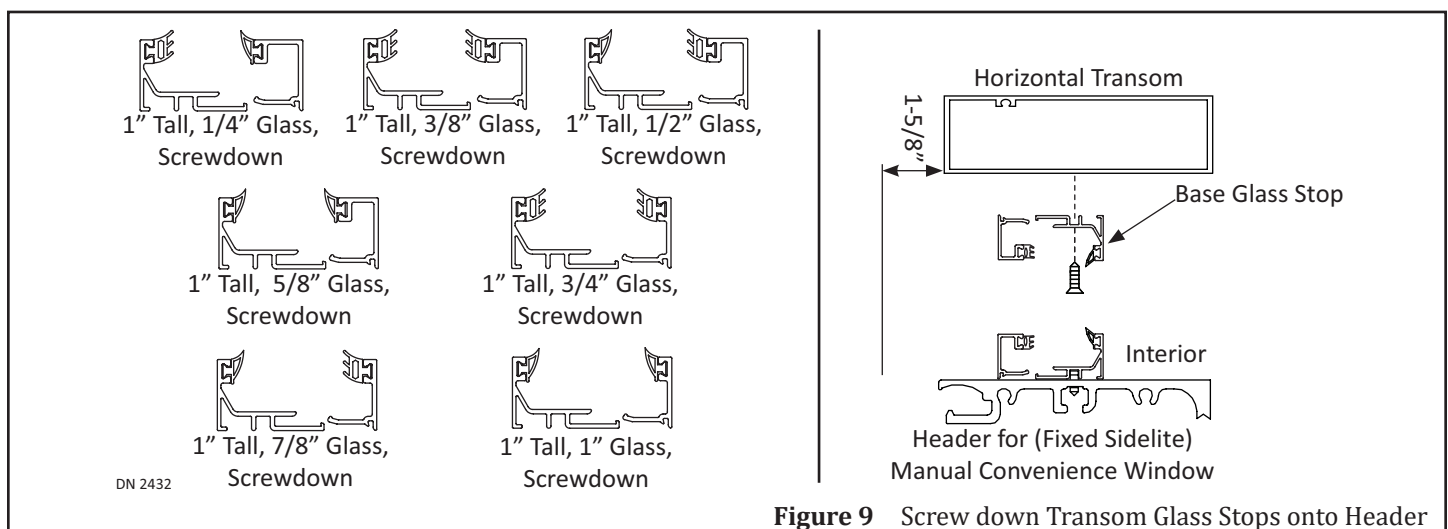
**Attention:** Per Chapter 24 of the International Building Code (IBC), all glass must comply with ANSI Standard Z97.1 (Glass and Settings Blocks are not provided by NABCO).

### SECTION 7.1: Install the Glass Stops for Transom

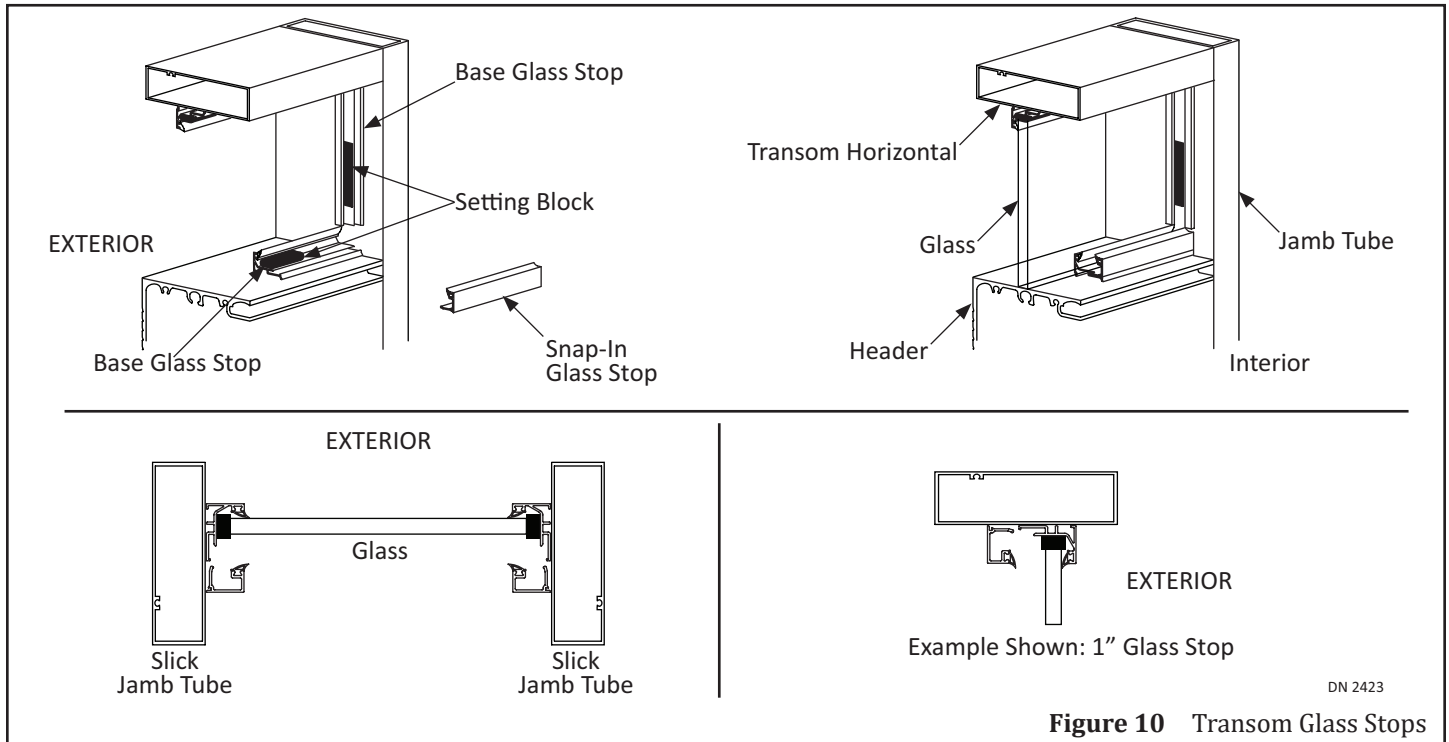
*Note:* Each Glass Stop is precut at the NABCO Factory according to placement and height of the Transom Vertical.

*Note:* Glass Panels can be installed before or after the Door Frame is secured to the rough opening.

1. Measure and Mark location for the Glass Stop.
2. Install the Glass Stop before installing the Glass Panel.
3. Go above the Header, between the Jamb Tubes. Screw down (1) Base Glass Stop onto:
  - ▶ Top of Header.
  - ▶ Bottom side of Horizontal Transom.
    - a. Ensure the tall back of the Base Glass Stops face the **Interior** side of building.
4. Go to the Jamb Tubes used to secure the Header to Window Frame.
5. Screw down (1) Base Glass Stop onto each Jamb Tube.
  - a. Ensure the tall back of the Base Glass Stops face the **Interior** side of building.

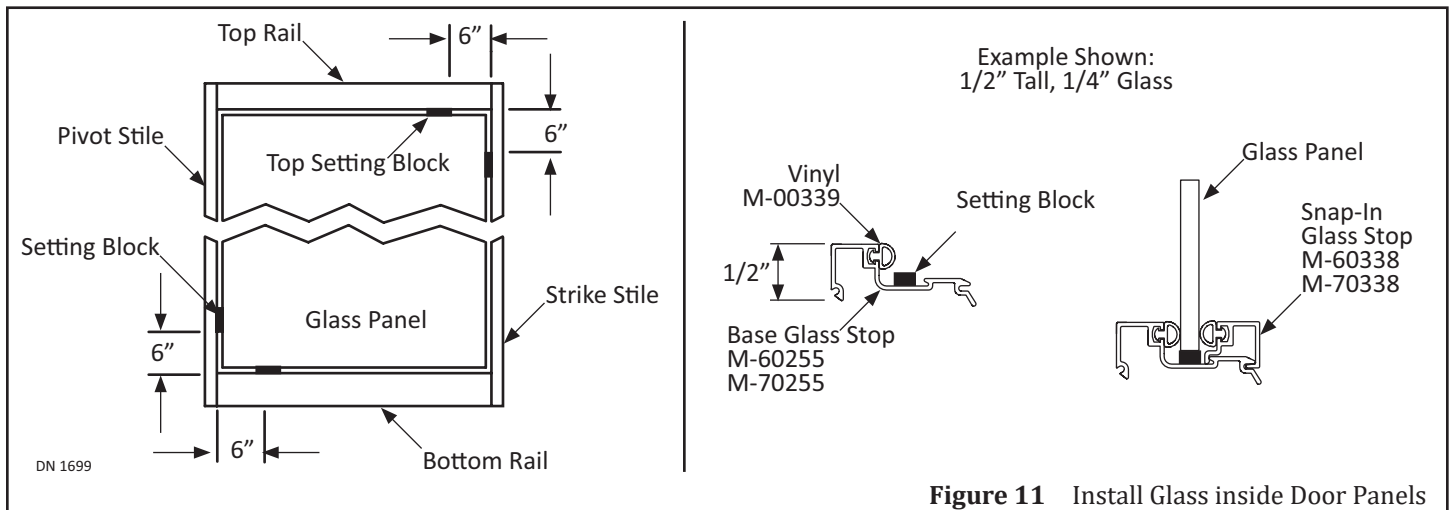


6. Place (1) Setting Block (not provided by NABCO) on top of the Base Glass Stops.
7. Place the Glass Panel on top of the Setting Blocks; against the Vinyl. Shift the Glass Panel until it is square.
8. Secure the Glass Panel with (Top) Snap-In Glass Stops (Provided by Nabco).



**Figure 10** Transom Glass Stops

**SECTION 7.2: Install the Slide Window Panel**



**Figure 11** Install Glass inside Door Panels

*Note: Only place Setting Blocks in the designated marked spots.*

1. Ensure the Glass Stop (Pre-installed at the NABCO Factory) is free of debris and/or sharp objects.
2. Install the (Base) Setting Blocks (not provided by NABCO).
  1. Go to the STRIKE side of door panel at the TOP.
    1. Measure (6) inches from the Bottom edge of Top Rail, towards the Pivot side of Door Panel. Mark that spot.
    2. Measure (6) inches from the Top Corner of the Strike Edge down to the bottom of the Door Panel. Mark that spot.
  2. Go to the PIVOT side of door panel at the BOTTOM.
    1. Measure (6) inches from the Top edge of Bottom Rail, up to the top of Door Panel. Mark that spot.
    2. Measure (6) inches from the Center of Pivot, towards the Strike side of Door Panel. Mark that spot.
3. Place (1) Setting Block (not provided by NABCO) on top of the Base Glass Stop, at marked spots.
3. For each marked spot, place (1) Setting Block (not provided by NABCO) on top of the Base Glass Stops.

4. Place the Glass Panel on top of the Setting Blocks and up against the Vinyl. Shift the Glass Panel until it is square.
5. Secure the Glass Panel with Snap-In Glass Stops.

## CHAPTER 8: WEATHERING

1. Ensure the entire Window unit is properly secured to the Rough Opening.
2. Fully insulate the Window inside and outside.

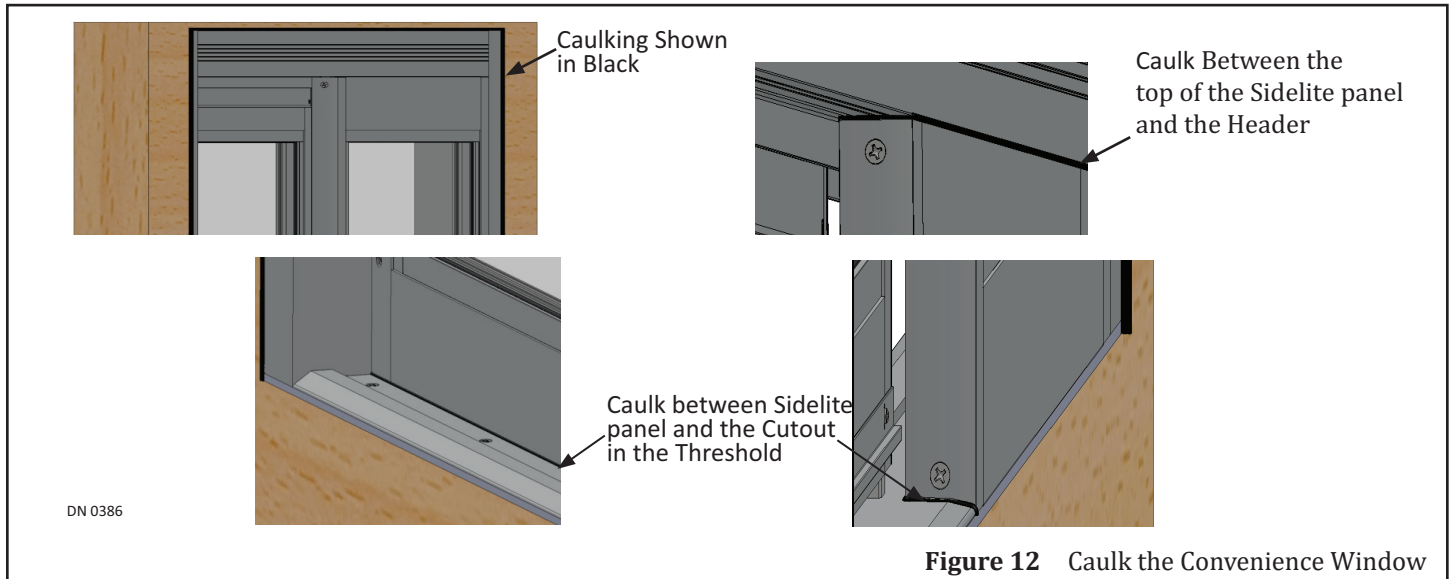


Figure 12 Caulk the Convenience Window

## CHAPTER 9: ADJUST WINDOW HEIGHT

1. Raise or lower the Slide Window by turning the Axle located on (2) Anti-Rise Rollers **clockwise** with a 1/2" Open End Wrench. The appropriate gap between Bottom Rail of the Slide Window and Threshold is 1/4 inch.

**CAUTION**

Do not rotate the Roller Axle counter-clockwise. Doing so will unthread the Axle from the Roller Assembly.

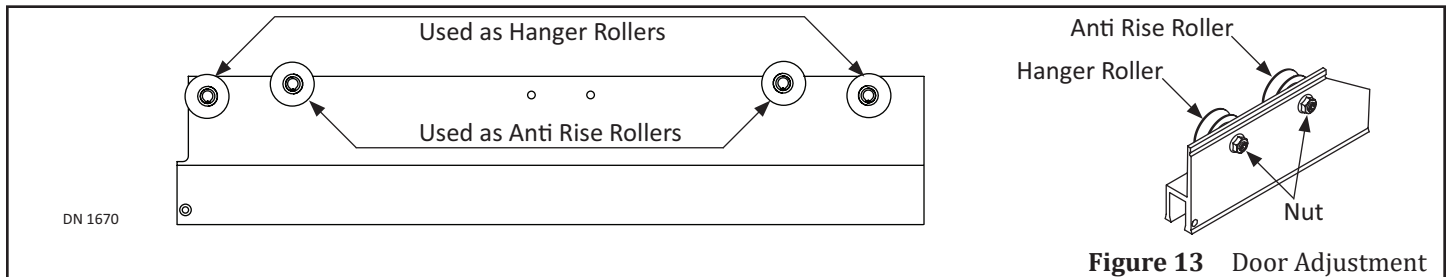


Figure 13 Door Adjustment

2. Ensure the Leading Edge between the Slide (Window/Jamb Tubes), and (Slide Window/Header), are parallel. Tighten the 5/16-18 Lock nuts.

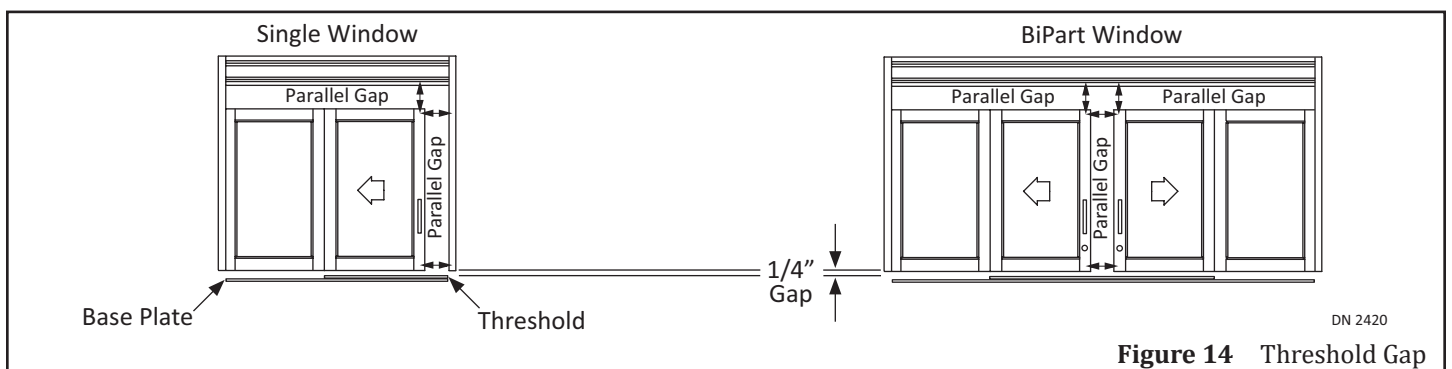


Figure 14 Threshold Gap



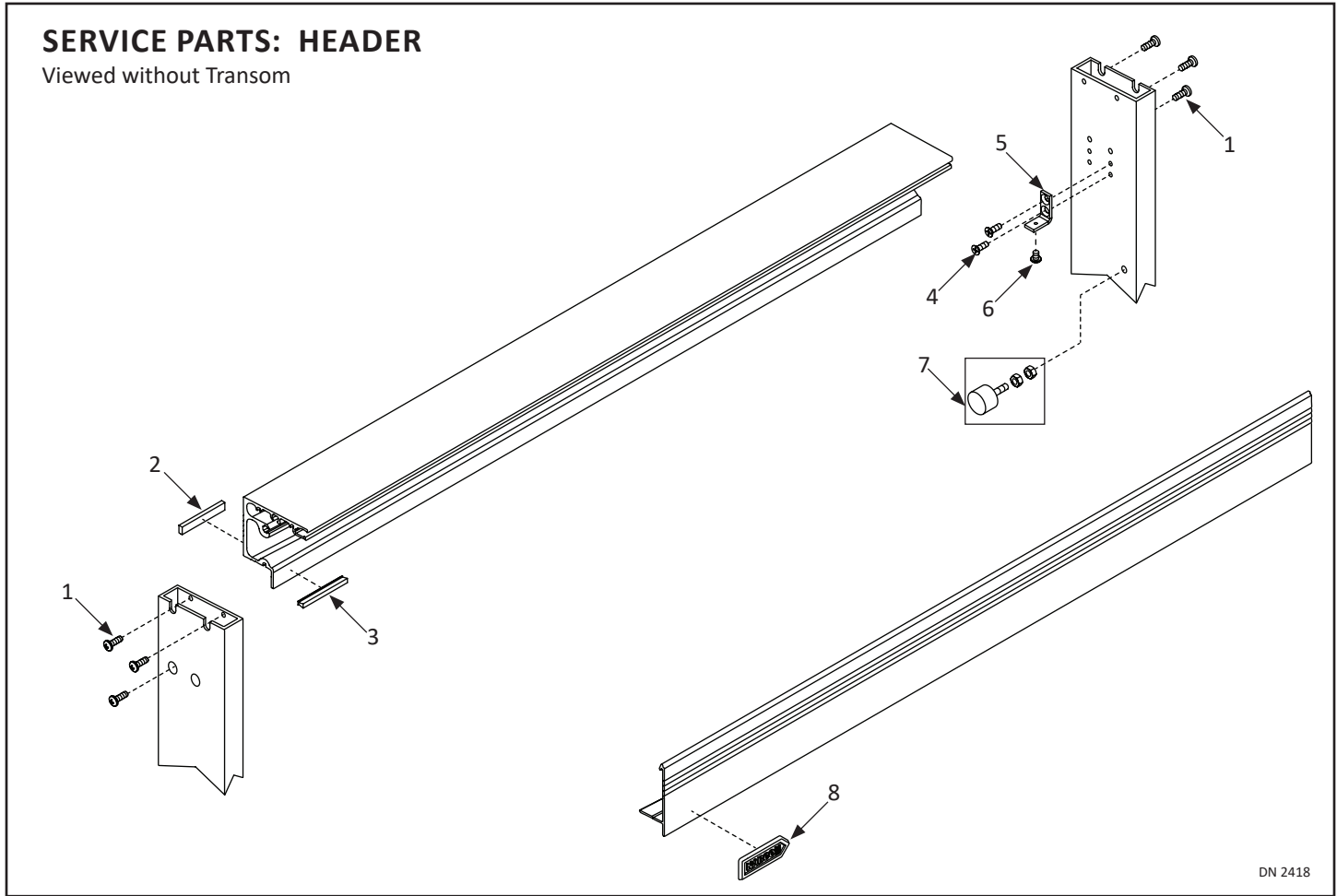
## **CHAPTER 10: MAINTENANCE**

### **SECTION 10.1: Slide Window Safety Check**

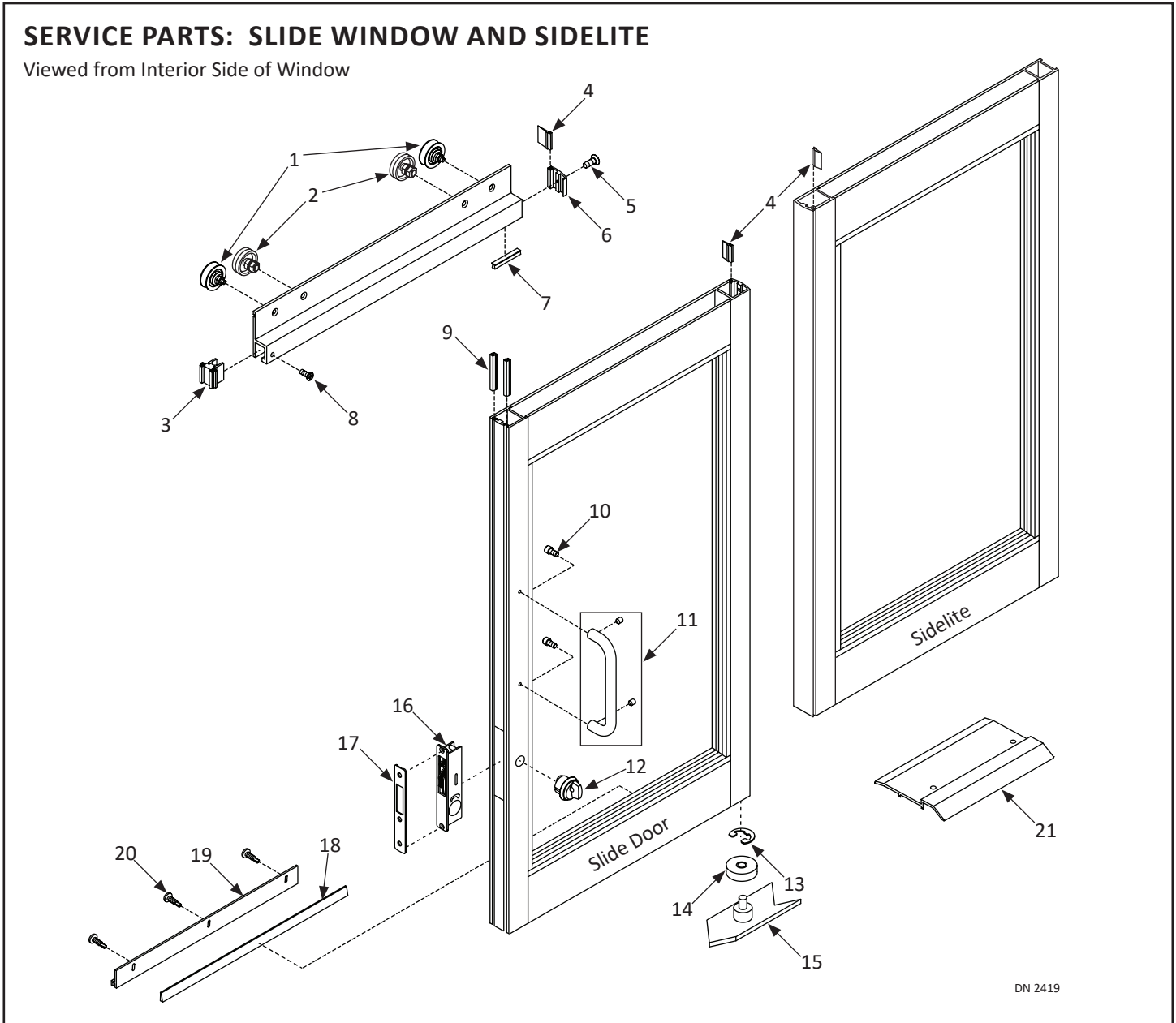
1. Ensure Header Cover has been replaced and properly secured with (2) 10-24 x 0.625 inch screws.
2. Check the motion of the Slide door. Slide door should slide freely.
3. Check for proper window operation.
4. Clean the windows, header, and frame.
5. Clean up the work area and surface area.

### **SECTION 10.2: Threshold Maintenance**

1. Look for dirt/debris/excessive build-up. If dirt/debris/excessive build-up is found.
  1. Vacuum to remove loose material.
  2. Wipe off the Threshold.
  3. Use (1) slotted Screw Driver to remove dirt/debris and/or excessive build-up.
2. Inspect weekly during clement weather, or daily during winter, as snow and ice can build up.



Header			
Item	Part	Finish/Sizes/Notes	Description
1	T-00326		RHMS,1/4-20x0.750L.,PHIL,ZINC SELF TAPNG
2	M-00281		FOAM WEATHERSTRIPPING ADHESIVE BACKED
3	M-00688		PILE WEATHERING .45 TALL W/ ADHESIVE
4	T-00016		FHMS,1/4-20x0.438L.,PHIL,UNDERCUT,ZINC
5	M-01049		CLIP, COVER
6	T-00323		RHMS,8-32x0.250L.,PHIL,ZINC
7	A-00087		BUMPER,HEADER DOOR STOP
8	C-00067		NAMEPLATE, ADHESIVE BACKED



Slide Window and Sidelite			
Item	Part	Finish/Sizes/Notes	Description
1	A-00162		ROLLER, HANGER, ASSEMBLY, 1175
2	A-00163		AXLE ASSEMBLY-ANTI RISE ROLLER
3	A-00400	Clear	CARRIER END CAP,STRIKE SIDE,204
	A-00401	Dark Bronze	CARRIER END CAP,STRIKE SIDE,313
4	M-01241		WEATHERING, VINYL, 9/16IN GRAY FIN
	M-71241		WEATHERING,VINYL,9/16IN,BLK
5	T-00176	Zinc	FHMS,10-32x0.500L.,PHIL,UCUT,23-PT,ZINC
	T-00183	Black Zinc	FHMS,10-32x0.500L.,PHIL,UCUT,23-PT,BLKZN
6	M-01255	Clear	END CAP,7/16x1-7/8,204
	M-71255	Dark Bronze	END CAP,7/16x1-7/8,313

Slide Window and Sidelite			
Item	Part	Finish/Sizes/Notes	Description
7	M-00690		WEATHER, PILE .2
8	T-00184		FHMS,10-32x0.500L.,PHIL,UCUT,TRI-LOBE,ZN
9	M-01244		WEATHERING,BULB
10	T-00053		SHCS,1/4-20x0.500L.,ZINC
11	V-00170	Clear	HANDLE,D, 204
	A-00697	Dark Bronze	HANDLE,D, 313
12	V-00116	Silver	CYLINDER,LOCK,THUMBTURN,204
	V-70116	Bronze	CYLINDER,LOCK,THUMBTURN,313
13	T-00068		RING,RETAINING,EXT.,375 SHAFT,E-TYPE,HD
14	A-00062		DOOR ROLLER, BOTTOM GUIDE
15	M-00406		BAR:RECT.:ALUM.:1/4 X 5:6061-T6
16	V-00005		LOCK, ADAMS-RITE #MS1853
17	V-00014	Clear	COVER,MS LOCK,W/ CUTOUT,204
	V-70014	Dark Bronze	COVER,MS LOCK,W/ CUTOUT,313
18	M-00274		BRUSH, NYLON, 1" STEPPED
19	M-60278	Clear	HOLDER,WEATHERING BRUSH,204,EXTRU
	M-70278	Dark Bronze	HOLDER,WEATHERING BRUSH,313,EXTRU
20	T-00222	Zinc	PHSMS,6x0.500L.,PHIL,TEKS,ZINC
	T-00260	Black Zinc	PHSMS,6x0.500L. PHIL,TEKS BLK ZN
21	M-61323	Clear	THRESHOLD,1/2 X 5,STEPPED,CON WNDW,204
	M-71323	Dark Bronze	THRESHOLD,1/2 X 5,STEPPED,CON WNDW,313