



GT1175 Magnetic Switch Kit, NO/NC

Instruction Sheet

P/N 15-11698 Rev 12-5-17

Nabco Entrances Inc. S82 W18717 Gemini Drive Muskego, Wisconsin 53150
 Phone: (877) 622-2694 Fax: (888) 679-3319 www.nabcoentrances.com
 NABCO hours of Operation: Monday to Friday 8:00 a.m.- 4:30 p.m. (Central Time)

Table of Contents

SERVICE PARTS: KIT P/N A-00718 1

CHAPTER 1: SWITCH SIGNAL: DOOR CLOSED 1

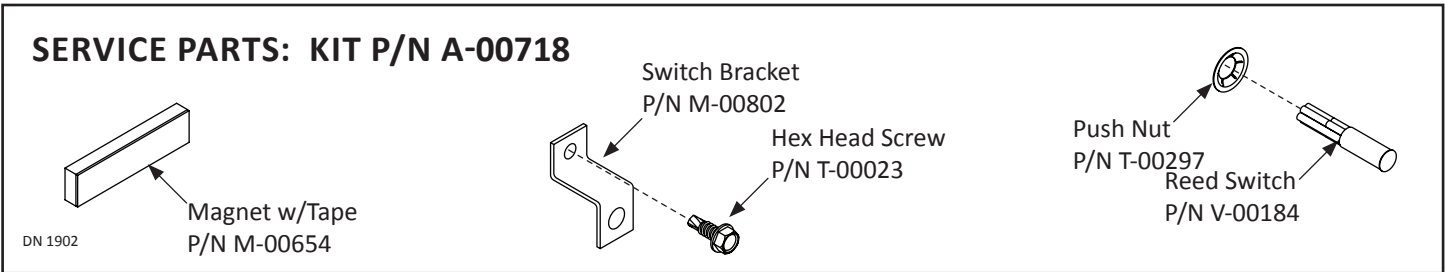
SECTION 1.1: Single Slide Door 1

SECTION 1.2: Bi-Part Slide Door 2

CHAPTER 2: SWITCH SIGNAL: DOOR OPEN 3

SECTION 2.1: Single Slide Door or Bi-Part 3

CHAPTER 3: WIRE THE REED SWITCH 4



CHAPTER 1: SWITCH SIGNAL: DOOR CLOSED

Note: Switch Signal changes status when the Door OPENS.

SECTION 1.1: Single Slide Door

1.1.1 Drill Access Hole and Screw Hole

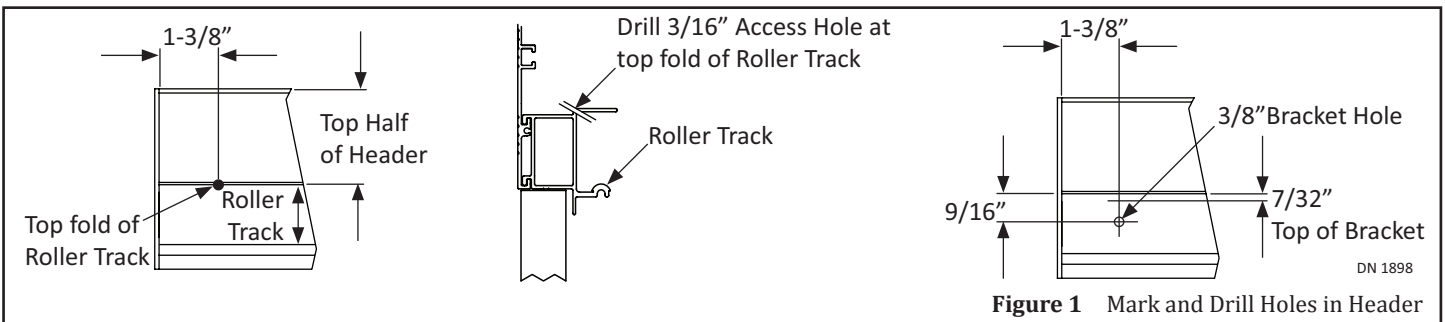


Figure 1 Mark and Drill Holes in Header

1. Go to the Strike end of the Roller Track. Measure 1-3/8 inches from the inside face towards the Trail end. Mark a Vertical Line from the top of the Roller Track to the Bottom.
2. Go to the top of the Vertical Line:
 1. Drill at an angle (1) 3/16 inch Access Hole into the Fold, so wiring can be fed up, into the top half of Header.
 2. Measure 9/16 inch from the top toward the bottom. Mark a Horizontal Line across the Vertical Line. This is the center of the 3/8 inch hole located on the Switch Bracket.
 3. Measure 7/32 inch from the top toward the bottom. Mark a Horizontal line across the Vertical line.

3. Butt the Top of the Switch Bracket up against the 7/32 inch Horizontal line. Use the Switch Bracket as a Template to mark the location of the 1/4 inch screw hole.
 - a. Ensure the Switch Bracket is square and level.
 - b. Ensure the center of the 3/8 inch hole on Bracket is aligned with the 9/16 inch mark.
4. Drill (1) 1/4 inch Screw Hole.

1.1.2 Install the Switch Bracket and Reed Switch

1. Secure the Switch Bracket to the Roller Track with (1) 14 x 3/4" Self Tapping Screw.
2. Insert (1) Push Nut and (1) Reed Switch (in that order) into the 3/8 inch Hole.
3. Feed all wiring up, through the Access Hole, into the top half of Header.

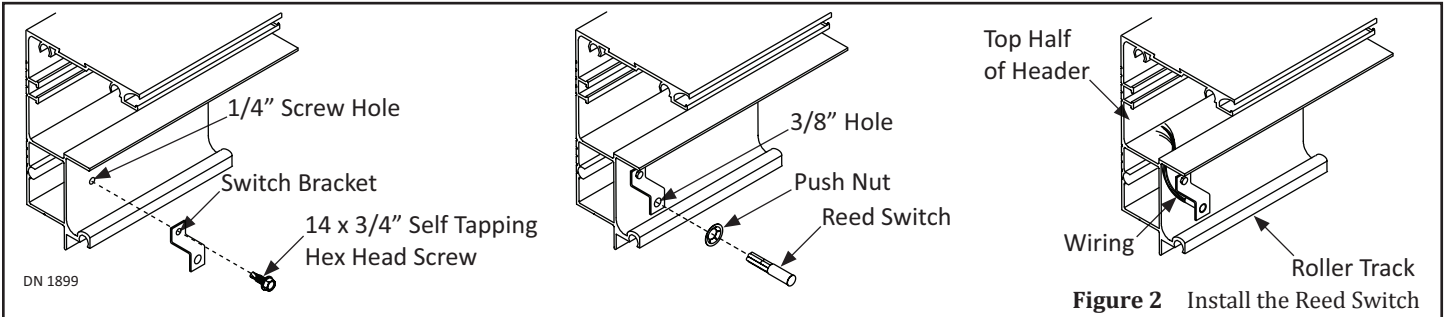


Figure 2 Install the Reed Switch

1.1.3 Install the Magnet

Note: Magnetic Contact Rating is limited to 0.25A @ 20VDC (5 watts). AC signals are not compatible with this Magnetic Switch.

1. Break open the Slide Door. Go to the Interior side of Carrier.
2. Measure 1-3/8 inch from the Strike end of Carrier towards the Trail end. Mark a Vertical line.
3. Measure down 3/4 inch from the top of Carrier. Mark a Horizontal Line across the Vertical Line.
 - a. Ensure measurements allow the Magnet to properly align with the Reed Switch. Adjustments may be necessary.
4. Center the Magnet to the vertical/horizontal lines. Secure the Magnet to the Carrier with double sided tape.

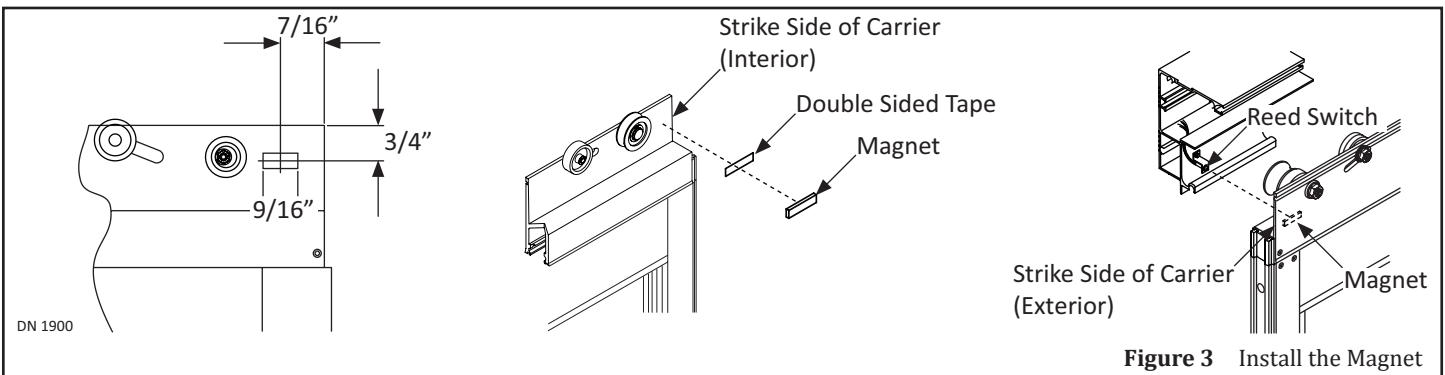


Figure 3 Install the Magnet

SECTION 1.2: Bi-Part Slide Door

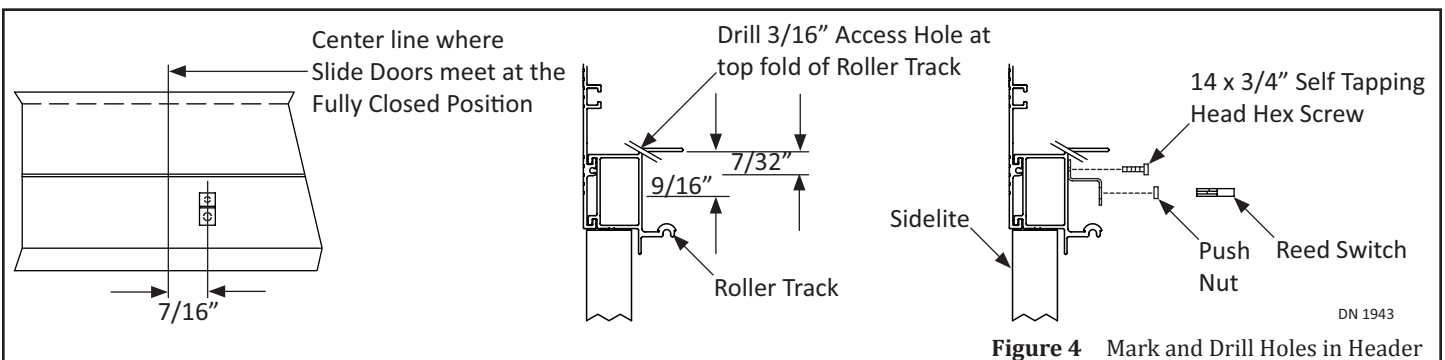


Figure 4 Mark and Drill Holes in Header

1. Fully Close both Slide Doors. Align the center of the crack to the Roller Track. Draw a Vertical Line from the Top of the Roller Track to the Bottom. Open the Slide Doors.
2. Measure 7/16 inch from the 1st Vertical Line towards the Pivot side of Slide Door. Draw a 2nd Vertical Line.
3. Go to the top of the 1st Vertical Line:
 1. At an angle, drill (1) 3/16 inch Access Hole into the Fold of the Roller Track so the wiring can be fed up into the top half of Header.
 2. Measure 9/16 inch from the top toward the bottom. Mark a Horizontal Line across the Vertical Line. This is the center of the 3/8 inch hole located on the Switch Bracket.
 3. Measure 7/32 inch from the top toward the bottom. Mark a Horizontal line across the Vertical line.
4. Butt the Top of the Switch Bracket up against the 7/32 inch Vertical Line. Use the Switch Bracket as a Template to mark the location of the 1/4 inch screw hole.
 - a. Ensure the Switch Bracket is square and level.
 - b. Ensure the center of the 3/8 inch hole on Bracket is aligned with the 9/16 inch mark.
5. Drill (1) 1/4 inch Screw Hole.
6. Secure the Switch Bracket to the Roller Track with (1) 14 x 3/4" Self Tapping Screw.
7. Insert (1) Push Nut and (1) Reed Switch (in that order) into the 3/8 inch Hole (located at the bottom of Switch Bracket).
8. Feed all wiring up, through the Access Hole, into the top half of Header.

1.2.1 Install the Magnet

Note: Magnetic Contact Rating is limited to 0.25A @ 20VDC (5 watts). AC signals are not compatible with this Magnetic Switch.

1. Break open the Slide Door. Go to the Interior side of Carrier.
2. Measure 7/16 inch from the Strike end of Carrier towards the Trail end. Mark a Vertical line.
3. Measure down 3/4 inch from the top of Carrier. Mark a Horizontal Line across the Vertical Line.
 - a. Ensure measurements allow the Magnet to properly align with the Reed Switch. Adjustments may be necessary.
4. Center the Magnet to the vertical/horizontal lines. Secure the Magnet to the Carrier with double sided tape.

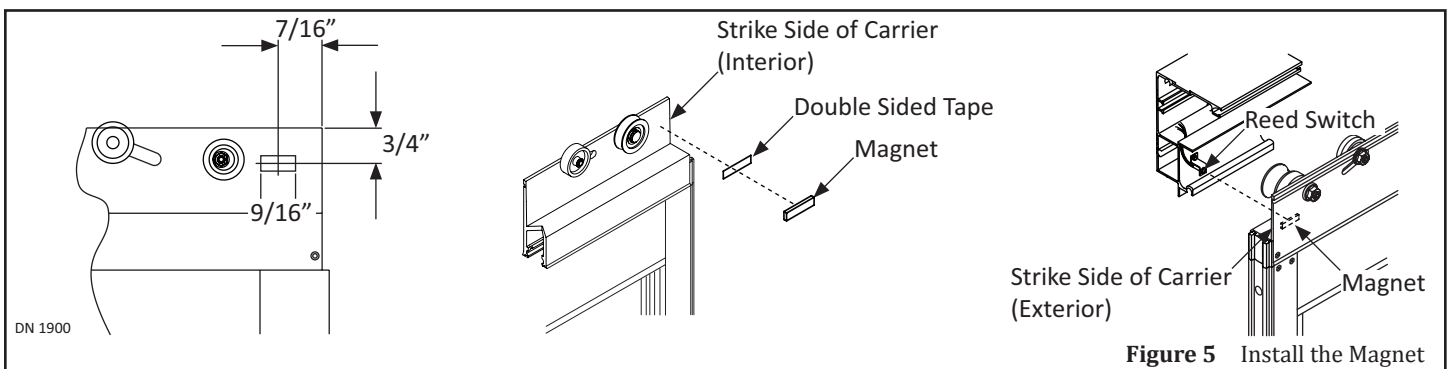


Figure 5 Install the Magnet

CHAPTER 2: SWITCH SIGNAL: DOOR OPEN

Note: Switch changes status when the Door CLOSES..

SECTION 2.1: Single Slide Door or Bi-Part

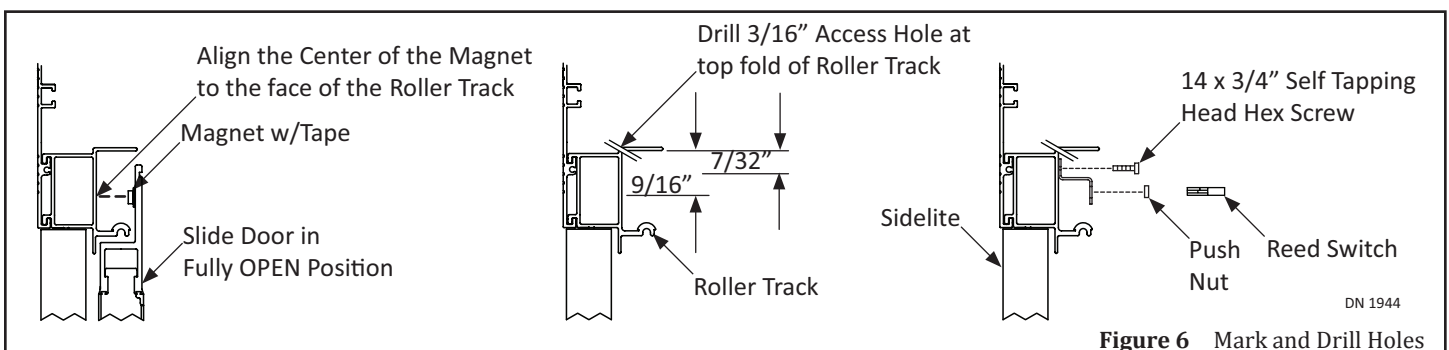


Figure 6 Mark and Drill Holes

DN 1944

Note: If both Door Closed and Door Open Switch Signals are required, two Magnetic Switch Kits will need to be purchased. However, only (1) Magnet from a Kit will be affixed to the Carrier.

1. Fully Open the Slide Door. Align the center of the Magnet to the back face of the Roller Track. Mark a Vertical line from the top of the Roller Track, to the bottom. Close the Slide Door.
2. Go to the top of the Vertical Line:
 1. At an angle, drill (1) 3/16 inch Access Hole into the Fold of the Roller Track so the wiring can be fed up into the top half of Header.
 2. Measure 9/16 inch from the top toward the bottom. Mark a Horizontal Line across the Vertical Line. This is the center of the 3/8 inch hole located on the Switch Bracket.
 3. Measure 7/32 inch from the top toward the bottom. Mark a Horizontal line across the Horizontal line.
3. Butt the Top of the Switch Bracket up against the 7/32 inch Vertical Line. Use the Switch Bracket as a Template to mark the location of the 1/4 inch screw hole.
 - a. Ensure the Switch Bracket is square and level.
 - b. Ensure the center of the 3/8 inch hole on Bracket is aligned with the 9/16 inch mark.
4. Drill (1) 1/4 inch Screw Hole.
5. Secure the Switch Bracket to the Roller Track with (1) 14 x 3/4" Self Tapping Screw.
6. Insert (1) Push Nut and (1) Reed Switch (in that order) into the 3/8 inch Hole (located at the bottom of Switch Bracket).
7. Feed all wiring up, through the Access Hole, into the top half of Header.

CHAPTER 3: WIRE THE REED SWITCH

White: Common
Green: Normally Open
Red: Normally Closed

DN 1901

