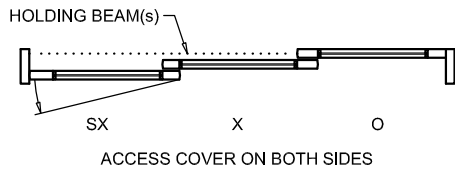
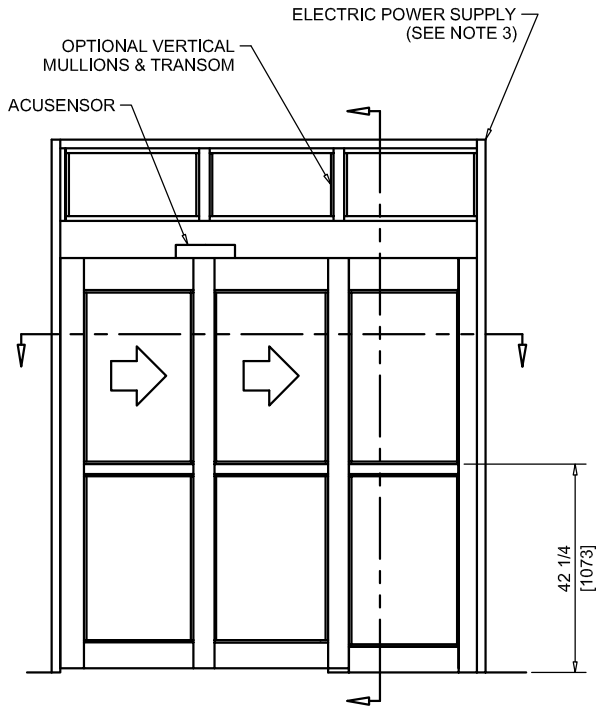




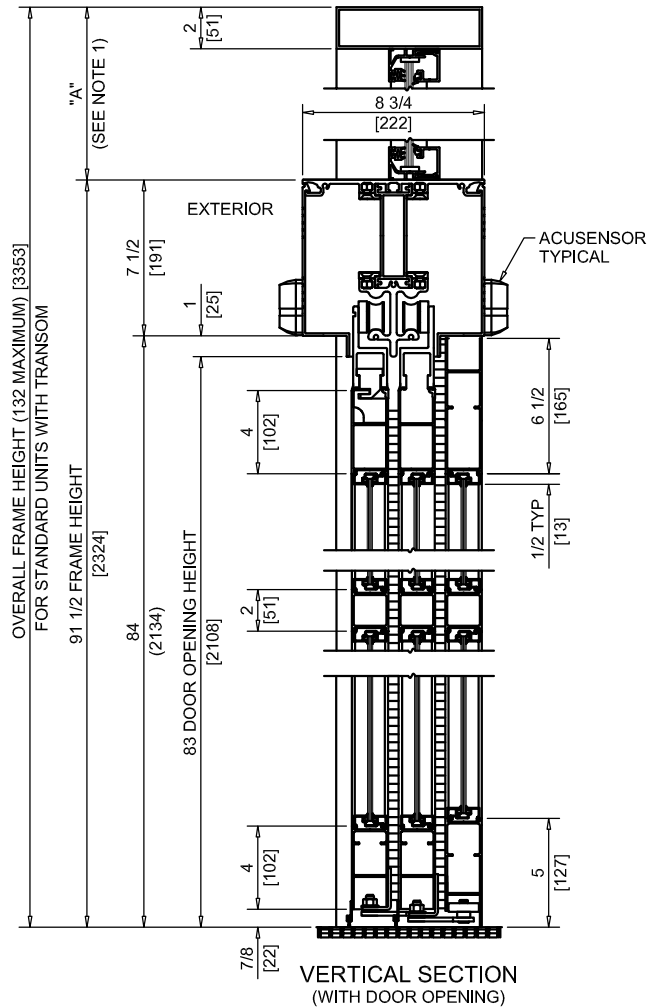
NABCO Entrances Inc.
 S82 W18717 Gemini Drive Muskego, WI 53150
 www.nabcoentrances.com 1-877-622-2694

JOB NAME: _____
 LOCATION: _____
 DISTRIBUTOR: _____
 DOOR #: _____ DATE: _____
 SHEET _____ OF _____

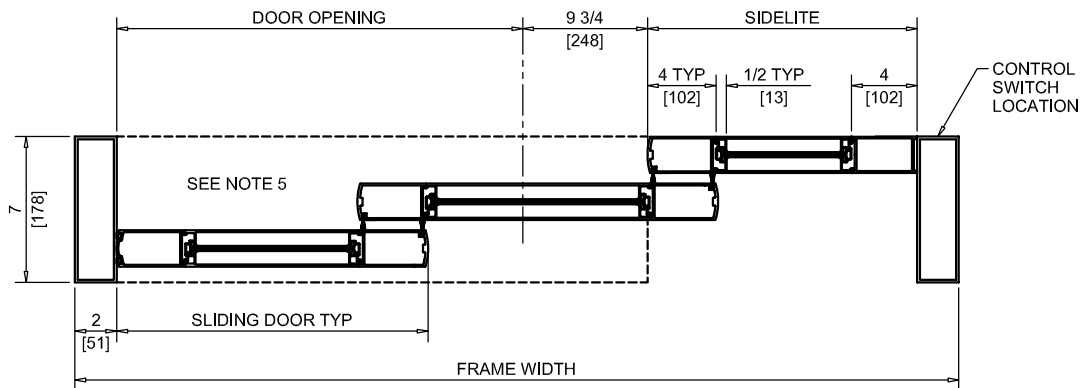
WHISPER SLIDE
GT1175-14RM
 SINGLE SLIDE
 RH FIXED SIDELITE
 TELESCOPING
 MEDIUM STILE



EXTERIOR ELEVATION/PLAN



VERTICAL SECTION (WITH DOOR OPENING)



HORIZONTAL SECTION

MEDIUM STILE

- NOTES:
1. TRANSOM HEIGHT (DIMENSION "A") IS DETERMINED PER JOB REQUIREMENTS.
 2. TRANSOM GLAZING IS SURFACE APPLIED FOR ALL GLASS THICKNESSES.
 3. POWER TO HEADER WILL BE 115VAC, 5 AMP PER OPERATOR PROVIDED BY ELECTRICAL CONTRACTOR.
 4. STANDARD LOCATION OF LOCK IS 35" FROM FINISH FLOOR TO CENTERLINE OF KEY CYLINDER.
 5. 1/4 X 7 THRESHOLD THROUGH DOOR OPENING (AS SHOWN WITH DASHED LINES) IS OPTIONAL.
 6. MASONRY OPENING EQUALS FRAME WIDTH +1/2" AND FRAME HEIGHT +1/4".
 7. ONE SET OF HOLDING BEAMS AT 21" AFF STANDARD. SECOND SET AT 51" AFF IS OPTIONAL.

	DOOR OPENING	FULL BREAKOUT OPENING	FRAME WIDTH	SLIDING DOOR	SIDELITE
MIN.	32 1/8" [816]	20 15/16" [532]	5'-7 1/16" [1703]	25 1/16" [637]	21 3/16" [538]
MAX.	83 7/16" [2119]	46 9/16" [1183]	12'-0" [3658]	50 11/16" [1287]	46 13/16" [1189]