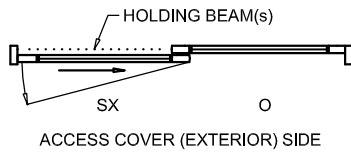
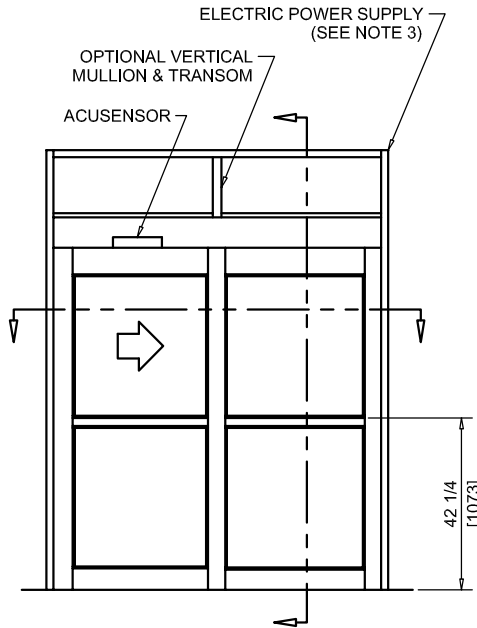




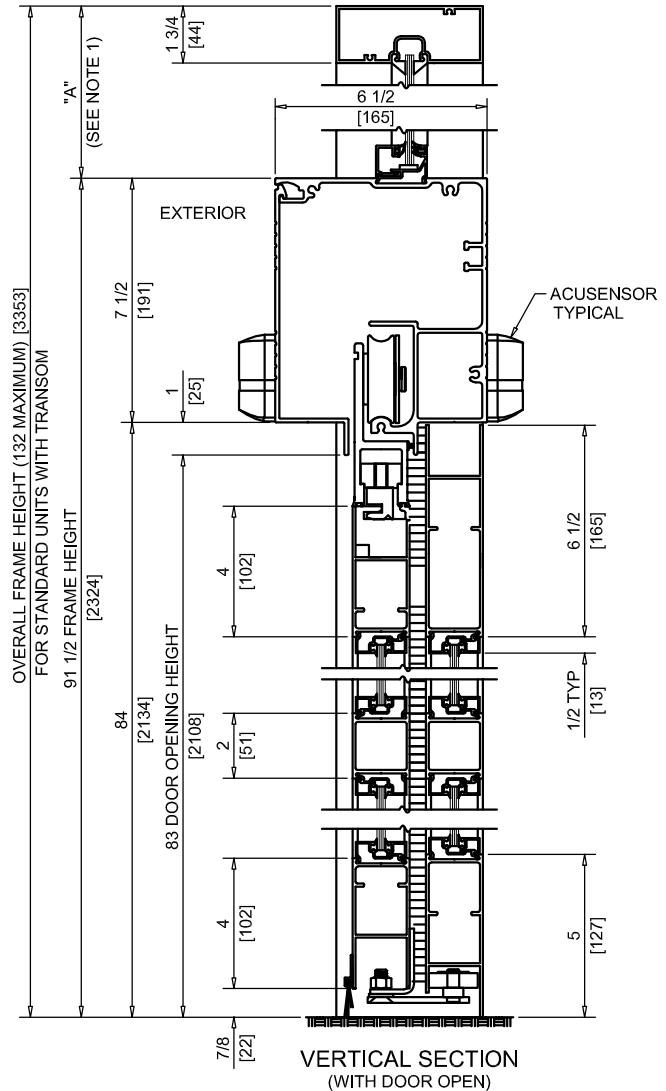
NABCO Entrances Inc.  
 582 W18717 Gemini Drive Muskego, WI 53150  
 www.nabcoentrances.com 1-877-622-2694

JOB NAME: \_\_\_\_\_  
 LOCATION: \_\_\_\_\_  
 DISTRIBUTOR: \_\_\_\_\_  
 DOOR #: \_\_\_\_\_ DATE: \_\_\_\_\_  
 SHEET \_\_\_\_\_ OF \_\_\_\_\_

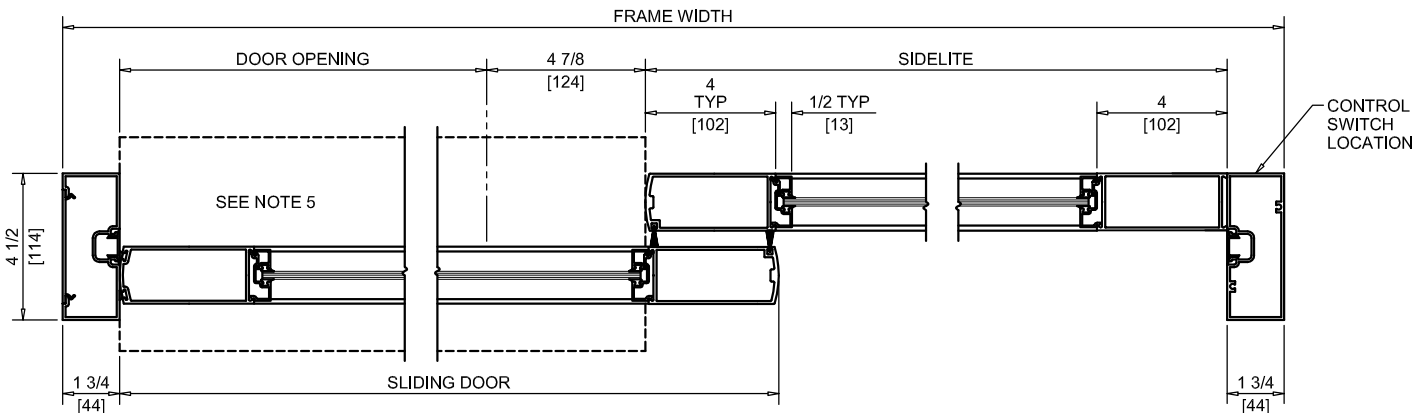
**WHISPER SLIDE**  
**GT1175-01RM**  
 SINGLE SLIDE  
 RIGHT HAND  
 FIXED SIDELITE  
 MEDIUM STILE



EXTERIOR ELEVATION/PLAN



VERTICAL SECTION  
(WITH DOOR OPEN)



HORIZONTAL SECTION

**MEDIUM STILE**

NOTES:

1. TRANSOM HEIGHT (DIMENSION "A") IS DETERMINED PER JOB REQUIREMENTS.
2. FLUSH GLAZING FOR 1/4" GLASS ONLY. NON POCKETED JAMBS USED FOR NO TRANSOM APPLICATIONS.
3. POWER TO HEADER WILL BE 115VAC, 5 AMP PER OPERATOR PROVIDED BY ELECTRICAL CONTRACTOR.
4. STANDARD LOCATION OF LOCK IS 35" FROM FINISH FLOOR TO CENTERLINE OF KEY CYLINDER.
5. 1/4 X 7 THRESHOLD THROUGH DOOR OPENING (AS SHOWN WITH DASHED LINES) IS OPTIONAL.
6. MASONRY OPENING EQUALS FRAME WIDTH +1/2" AND FRAME HEIGHT +1/4".
7. ONE SET OF HOLDING BEAMS AT 21" AFF STANDARD. SECOND SET AT 51" AFF IS OPTIONAL.

DOOR OPENING	FULL BREAKOUT OPENING	FRAME WIDTH	SLIDING DOOR	SIDELITE
35 3/8" [899]	40 1/4" [1022]	7'-0" [2134]	44 3/8" [1127]	40 1/4" [1022]
41 3/8" [1051]	46 1/4" [1175]	8'-0" [2438]	50 3/8" [1280]	46 1/4" [1175]
44" [1118]	48 7/8" [1241]	8'-6" [2591]	53" [1346]	49 5/8" [1260]
47 3/8" [1203]	52 1/4" [1327]	9'-0" [2743]	56 3/8" [1432]	52 1/4" [1327]