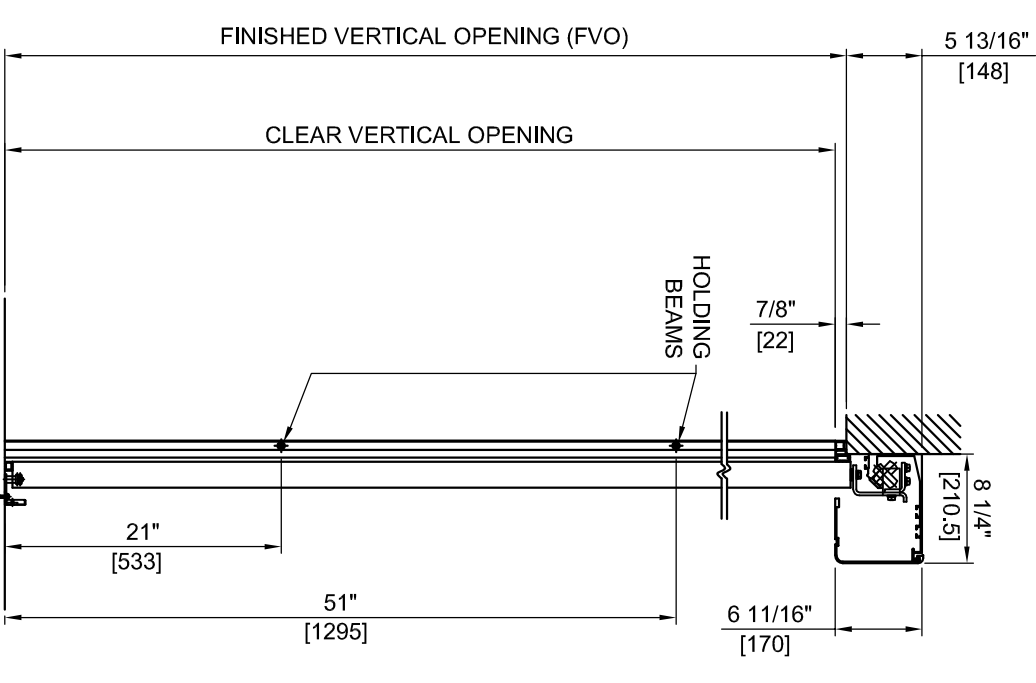
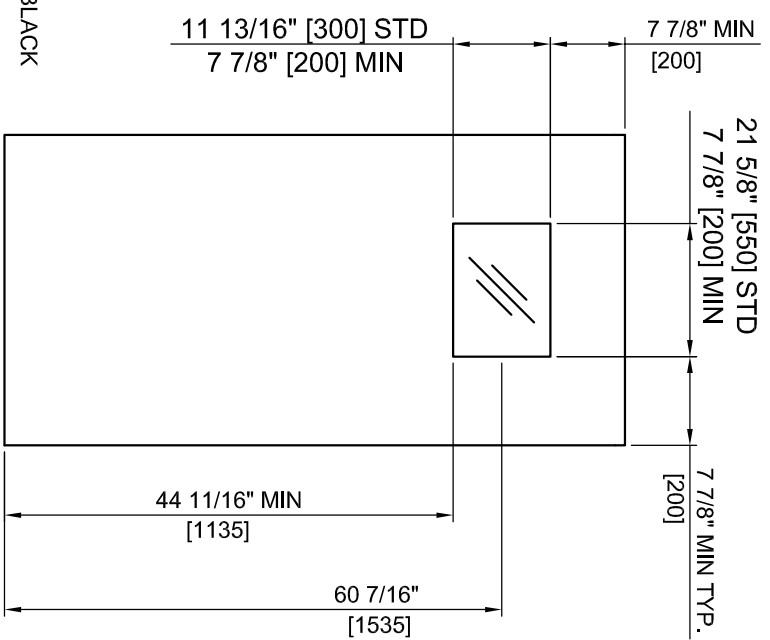


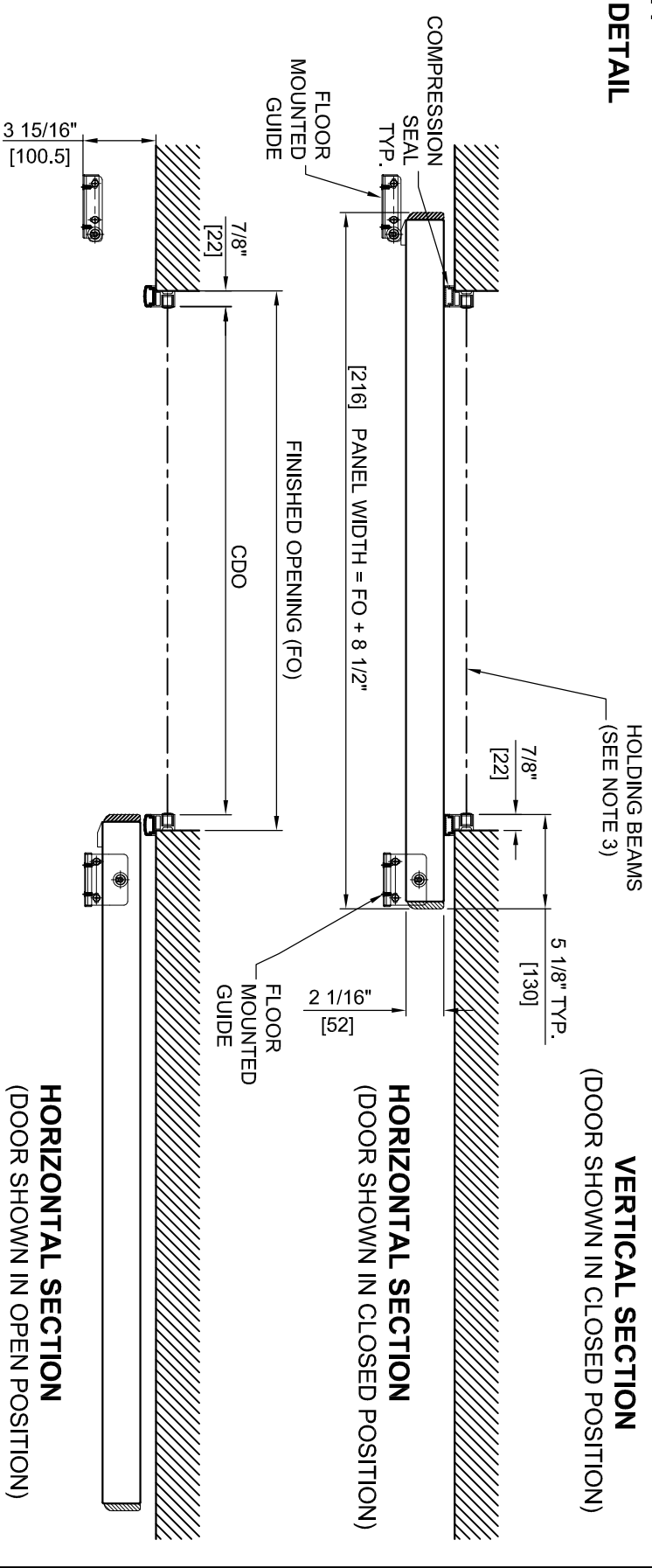
EXTERIOR ELEVATION/PLAN

ACCESS COVER (EXTERIOR) SIDE

JOINT SEAM DETAIL



VERTICAL SECTION (DOOR SHOWN IN CLOSED POSITION)



NOTES:

1. STANDARD FINISH AVAILABLE IN WHITE PAINTED ALUMINUM AND BRUSHED SS.
2. FOR A STAINLESS STEEL DOOR LEAF THERE IS A VERTICAL JOINT LINE WHEN THE DOOR WIDTH IS OVER 43 5/16".
FOR AN ALUMINUM DOOR LEAF, THERE IS A VERTICAL JOINT LINE WHEN THE DOOR WIDTH IS OVER 55 1/8".
3. DUAL HOLDING BEAMS AT 21" AND 51" ARE STANDARD.
4. POWER TO HEADER WILL BE 115VAC, 5 AMP PER OPERATOR PROVIDED BY ELECTRICAL CONTRACTOR.
5. AIRTIGHTNESS PERFORMANCE: Class A-4.
6. SOUND INSULATION PERFORMANCE: Class T-1.
7. LEAD THICKNESS IN PANEL - 2mm
8. OPTIONAL THRESHOLD AVAILABLE
9. RECESSED PULL HANDLE IS STANDARD. TUBULAR PULL HANDLES ARE NOT AVAILABLE ON THIS DOOR
10. OPTIONAL DOUBLE-SIDED FLAT FRAME WINDOW AVAILABLE.



NABCO Entrances Inc.
S82 W18717 Gemini Drive Muskego, WI 53150
www.nabcoentrances.com 1-877-622-2694

JOB NAME: _____

LOCATION: _____

DISTRIBUTOR: _____

DOOR #: _____ DATE: _____

SHEET _____ OF _____

GT9300-SX-R
LEAD LINED
HERMETIC
DOOR
SINGLE SLIDE
RIGHT HAND