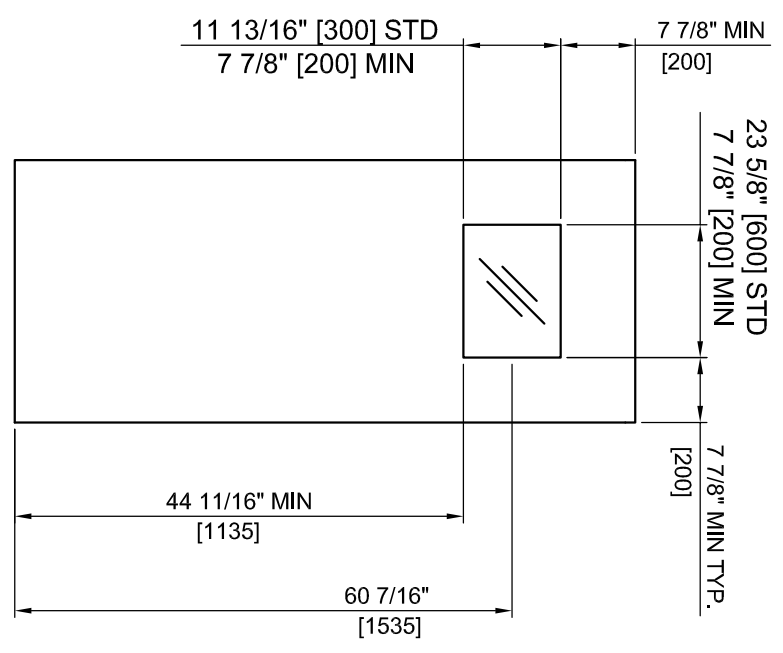
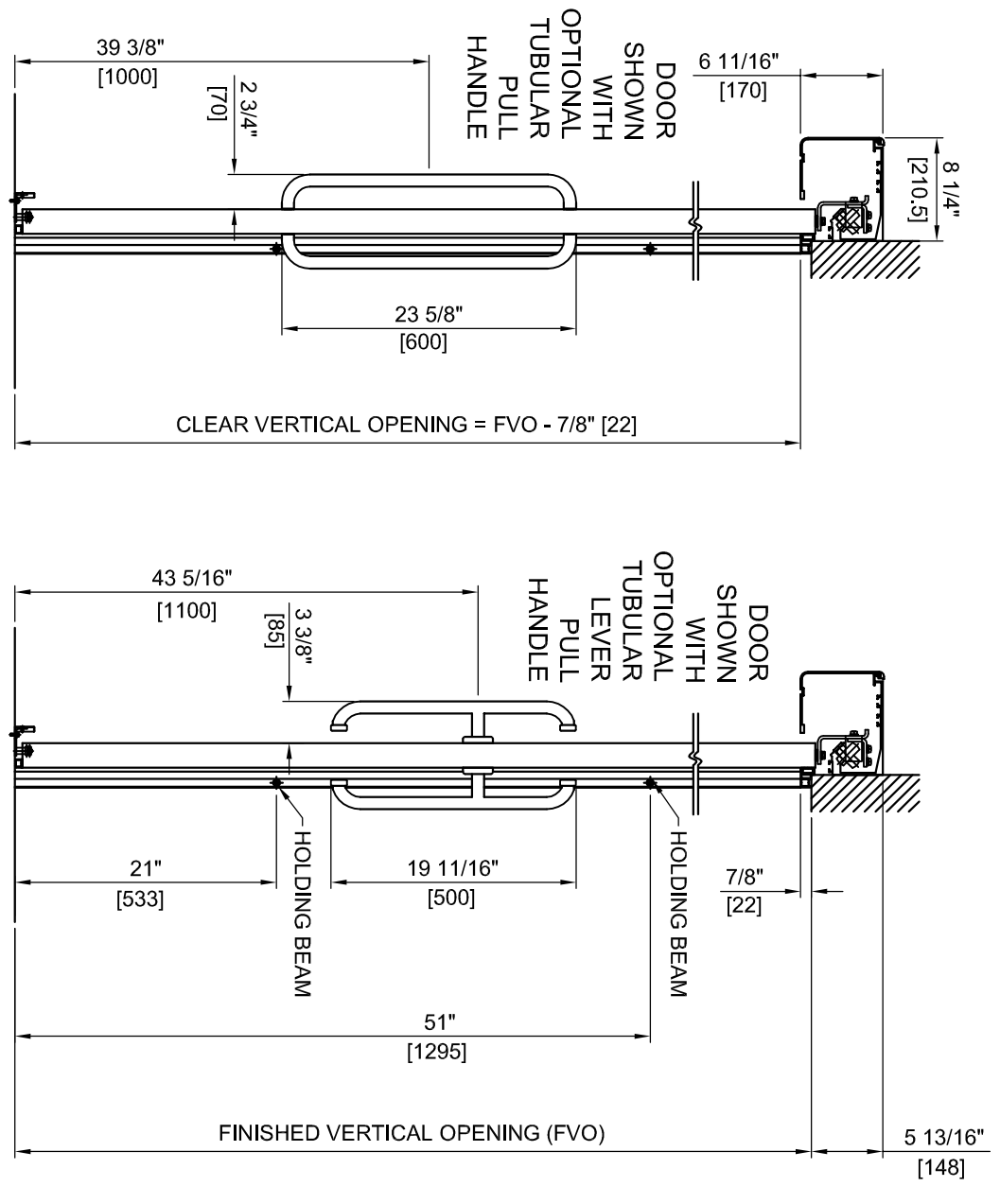


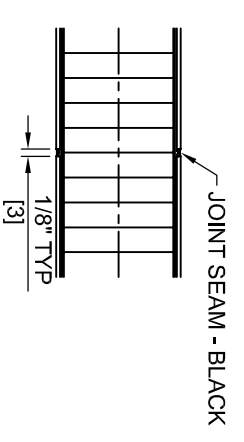
EXTERIOR ELEVATION/PLAN



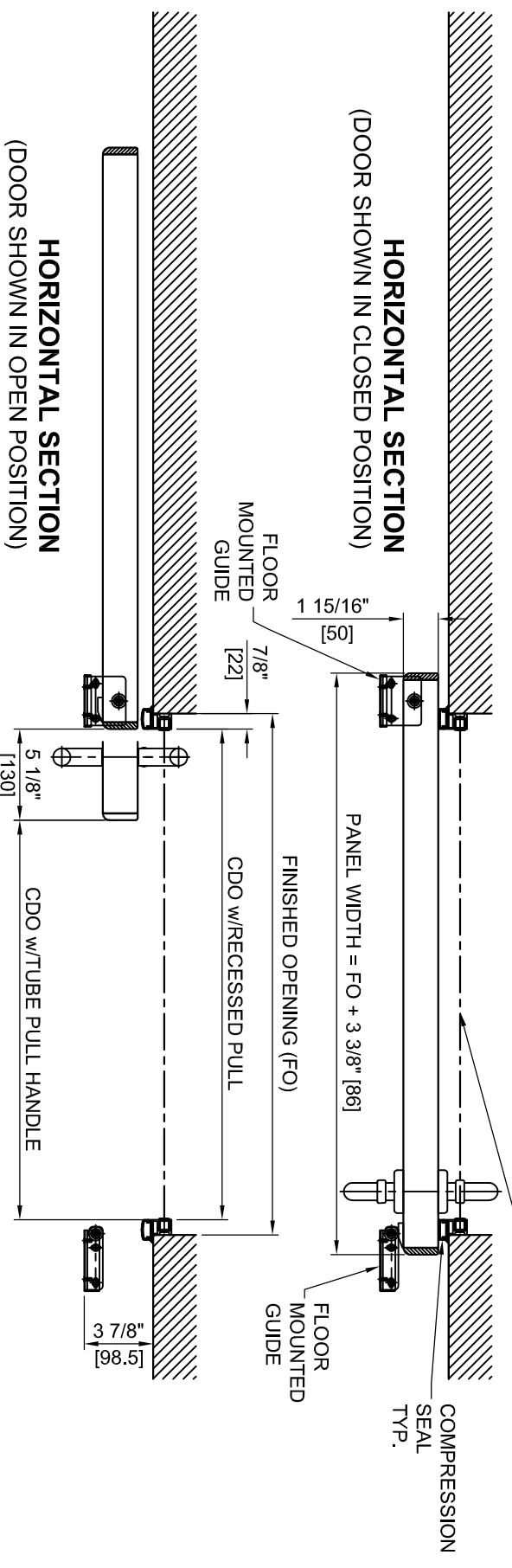
OPTIONAL WINDOW DETAIL
(SEE NOTE 7)



VERTICAL SECTIONS
(DOOR SHOWN IN CLOSED POSITION)



JOINT SEAM DETAIL



HORIZONTAL SECTION
(DOOR SHOWN IN OPEN POSITION)

- NOTES:**
1. STANDARD FINISH AVAILABLE IN WHITE PAINTED ALUMINUM AND BRUSHED SS.
 2. FOR A STAINLESS STEEL DOOR LEAF THERE IS A JOINT LINE WHEN THE DOOR WIDTH IS OVER 43 5/16".
 3. FOR AN ALUMINUM DOOR LEAF, THERE IS A JOINT LINE WHEN THE DOOR WIDTH IS OVER 55 1/8".
 4. DUAL HOLDING BEAMS AT 21" AND 51" ARE STANDARD.
 5. POWER TO HEADER WILL BE 115VAC, 5 AMP PER OPERATOR PROVIDED BY ELECTRICAL CONTRACTOR.
 6. AIRTIGHTNESS PERFORMANCE: Class A-4.
 7. SOUND INSULATION PERFORMANCE: Class T-1.
 8. OPTIONAL THRESHOLD AVAILABLE



NABCO Entrances Inc.
S82 W18717 Gemini Drive Muskego, WI 53150
www.nabcoentrances.com 1-877-622-2694

JOB NAME: _____
LOCATION: _____
DISTRIBUTOR: _____
DOOR #: _____ DATE: _____
SHEET _____ OF _____

GT9100-SN-L
HERMETIC
DOOR
SINGLE SLIDE
LEFT HAND