

GT500/8500

Heavy-Duty/Low-Energy/Fire Door

ADA Swing Door Operator

Where SOLUTIONS are AUTOMATIC



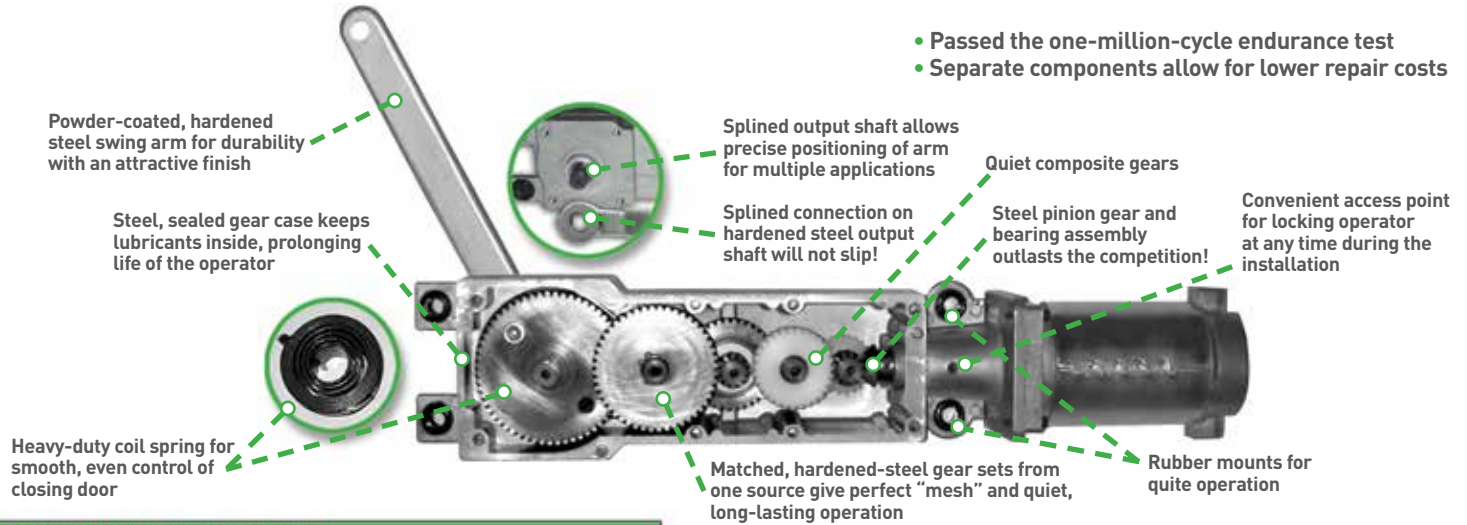
Product Features and Benefits

- Adjustable closing speeds to **enhance energy savings**
- Heavy-duty motor and mechanical gearbox **offer longevity and dependability**
- Mechanical operator with a microprocessor control **provides efficient, smooth operation**
- A workhorse operator that **provides confidence and peace of mind** while complying with the ANSI A156.19 standard
- Works in conjunction with new or existing UL-listed doors, frames and fire exit hardware **for state-of-the-art fire door protection**



GT500/8500 Heavy-Duty/Low-Energy/Fire Door ADA Swing Door Operator

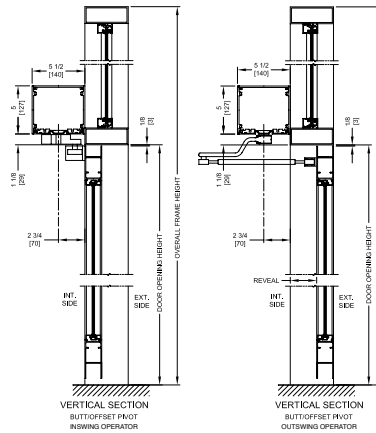
The NABCO GT500/8500 Heavy-Duty/Low-Energy Operator is engineered for interior and exterior use, and designed to automate essentially any new or existing door frame. Accepted for use with UL-approved fire exit hardware. In the event of a fire emergency, the system powers down, allowing the doors to close and latch. Entry is prevented but personnel can exit by pushing the panic hardware. The side load header access panel simply pivots up and locks into position, out of the way, enabling quick installation and ease of servicing. NABCO ensures the highest level of customer satisfaction and the lowest failure rate by rigorously testing each unit prior to shipment. The low-energy performance combined with the adjustable opening and closing speeds reduce energy consumed, which offers a prompt return on your investment.



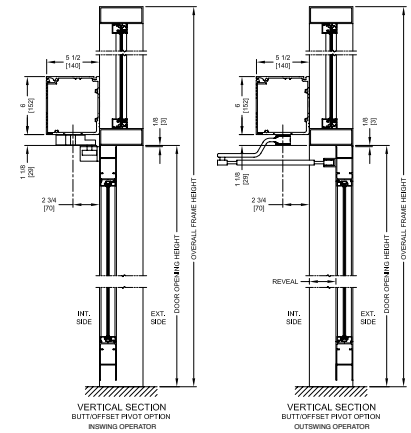
PRODUCT INFORMATION

Header dimensions	Bottom load – 5" H X 5 1/2" D (GT500) Side load – 6" H X 5 1/2" D (GT8500)
Standard finish	Clear and dark bronze anodized
Optional finishes	Painted, clad, special anodized
Mounting	Surface applied/In-ground
Installation types	Push or pull
Operating voltage	120 VAC
Auxiliary power output	12VDC 750mA
Operator drive	Electro-mechanical
Motor voltage	Pulse width modulated
Motor type	1/10th HP permanent magnet motor
Control type	Microprocessor
Door panel weight	300 lbs.
Adjustable open	Force and speed
Adjustable close	Speed
Closing method	Spring (with selectable power assist)
Adjustable opening angle	90° to 110°
Power boost close	Selectable
Basic features	Low-energy operation Push and go Obstacle detection in opening and closing cycles Sequential or timer mode operation LCD screen for programming and diagnostics Open- or closed-circuit safety inputs Momentary or maintained activation
Switch modes	On, off, hold-open
Opening and closing speed	Adjustable
Hold-open time	Adjustable (0-30 seconds)
Code compliances	ANSI A156.19/ANSI A117.1
Approvals	UL, ULC

GT500 Operator
Bottom load



GT8500 Operator
Side load



CONFIGURATIONS:

The GT500/8500 is available for multiple configurations such as single doors, simultaneous pairs, dual egress and in-ground applications, as well as the Opman configuration, which is a single, continuous header for a pair of doors containing a manual closer on one side and an automatic operator on the other.

NABCO Service and Specifications

Along with the NABCO factory branches, NABCO has the largest independently owned network of automatic door distributors in North America. Their friendly, qualified installers and technicians always strive to exceed your expectations from install to after-sales service. NABCO's factory branches and independent distributors provide AAADM-certified technicians to ensure your doors meet all ANSI A156.10/A156.19 standards.

Complete three-part specifications and CAD drawings are available on the NABCO website.



Member of the Nabtesco Group

NABCO ENTRANCES INC.

S82 W18717 Gemini Drive | Muskego, WI 53150 | 877-622-2694 | Fax 888-679-3319

www.NABCOentrances.com | Email info@NABCOentrances.com



Distributed by: