



Model GT1175 Standard Slide Doors Installation Manual

\*\*with U30 Control\*\*

P/N C-00105 Rev 7-5-17

Nabco Entrances Inc. S82 W18717 Gemini Drive Muskego, Wisconsin 53150
Phone: (877) 622-2694 Fax: (888) 679-3319 www.nabcoentrances.com
NABCO hours of Operation: Monday to Friday 8:00 a.m.- 4:30 p.m. (Central Time)

Associated Manuals Part Numbers: U30 Microprocessor Control Setup and Programming Manual P/N C-00203 Model
GT1175 Electrical Installation Manual \*\*with U30 Microprocessor Control\*\* P/N C-00198
Automatic Sliding Door Owners Manual (P/N C-00109) for Decal Installation
NABCO Price Book P/N 16-9244-30 (for Sensors, Switches, and Accessories)

WARNING

- Turn OFF all power to the Automatic Door if a Safety System is not working.
• Instruct the Owner to keep all power turned OFF until corrective action can be achieved by a NABCO trained technician. Failure to follow these practices may result in serious consequences.
• NEVER leave a Door operating without all Safety detection systems operational.

Table of Contents

CHAPTER 1: WARNING LABELS . . . . . 3
CHAPTER 2: GENERAL SAFETY RECOMMENDATIONS . . . . . 3
CHAPTER 3: SCOPE . . . . . 4
SECTION 3.1: To the Installer . . . . . 4
SECTION 3.2: Objective . . . . . 4
CHAPTER 4: GETTING STARTED. . . . . 4
SECTION 4.1: Types of Units . . . . . 4
SECTION 4.2: Header Configuration . . . . . 4
SECTION 4.3: Header Components . . . . . 5
SECTION 4.4: Remove the Header Cover . . . . . 5
CHAPTER 5: INSPECT THE ROUGH OPENING . . . . . 6
CHAPTER 6: ASSEMBLE DOOR FRAME (NO TRANSOM) . . . . . 6
CHAPTER 7: ASSEMBLE DOOR FRAME (WITH TRANSOM) . . . . . 7
CHAPTER 8: SECURE DOOR FRAME TO BUILDING . . . . . 11
CHAPTER 9: WIRE THE ROCKER SWITCH . . . . . 12
CHAPTER 10: INSTALL THE THRESHOLD. . . . . 13
CHAPTER 11: INSTALL THE FULL OPEN SIDELITE . . . . . 15
CHAPTER 12: INSTALL THE FIXED SIDELITE . . . . . 17
CHAPTER 13: INSTALL THE SLIDE DOOR . . . . . 19
CHAPTER 14: PERMANENTLY INSTALL THE THRESHOLD. . . . . 22
CHAPTER 15: INSTALL WEATHERING . . . . . 23

<b>CHAPTER 16: INSTALL THE GLASS STOPS.....</b>	<b>23</b>
<b>CHAPTER 17: GLAZING (HEAVY/WIDE DOORS).....</b>	<b>25</b>
<b>CHAPTER 18: ADJUSTMENTS.....</b>	<b>26</b>
<b>SERVICE PARTS: LH KIT P/N M-01256; RH KIT P/N M-01253.....</b>	<b>29</b>
<b>SERVICE PARTS: FULL OPEN, 1175, NH,MED STILE: P/N A-00405.....</b>	<b>30</b>
<b>SERVICE PARTS: HEADER.....</b>	<b>31</b>
<b>SERVICE PARTS: FIXED SIDELITE.....</b>	<b>34</b>
<b>SERVICE PARTS: LEFT HAND FIXED SIDELITE.....</b>	<b>35</b>
<b>SERVICE PARTS: RIGHT HAND FIXED SIDELITE.....</b>	<b>36</b>
<b>SERVICE PARTS: SLIDE DOOR FOR FIXED SIDELITE.....</b>	<b>38</b>
<b>SERVICE PARTS: LEFT HAND SLIDE DOOR FOR FIXED SIDELITE.....</b>	<b>39</b>
<b>SERVICE PARTS: RIGHT HAND SLIDE DOOR FOR FIXED SIDELITE.....</b>	<b>40</b>
<b>SERVICE PARTS: FULL OPEN SIDELITE.....</b>	<b>43</b>
<b>SERVICE PARTS: FULL OPEN; LEFT HAND SWING SIDELITE.....</b>	<b>44</b>
<b>SERVICE PARTS: FULL OPEN; RIGHT HAND SWING SIDELITE.....</b>	<b>45</b>
<b>SERVICE PARTS: SLIDE DOOR FOR FULL OPEN.....</b>	<b>48</b>
<b>SERVICE PARTS: LEFT HAND SLIDE DOOR FOR FULL OPEN.....</b>	<b>49</b>
<b>SERVICE PARTS: RIGHT HAND SLIDE DOOR FOR FULL OPEN.....</b>	<b>50</b>
<b>SERVICE PARTS: TRANSOM, GLASS STOPS, AND VINYL.....</b>	<b>53</b>

## CHAPTER 1: WARNING LABELS

Warning labels are universal and used to alert an individual of potential harm to one's self or to others. The following warning labels are listed in a hierarchy order that defines the most potential danger first, and the least potential danger last. Please refer to this page in the event that a warning label is displayed within this manual and further definition needs to be explained.

**DANGER**

Indicates potentially dangerous situations. Danger is used when there is a hazardous situation where there is a *high* probability of severe injury or death. It should not be considered for property damage unless personal injury risk is present.

**WARNING**

Indicates a hazardous situation which has *some* probability of severe injury. It should not be considered for property damage unless personal injury risk is present.

**CAUTION**

Indicates a hazardous situation which *may result in a minor injury*. Caution should not be used when there is a possibility of serious injury. Caution should not be considered for property damage accidents unless a personal injury risk is present.

**Attention:** A situation where material could be damaged or the function impaired.

**Notice:** Indicates a statement of company policy as the message relates to the personal safety or protection of property. Notice should not be used when there is a hazardous situation or personal risk.

*Note:* Indicates important information that provides further instruction.

## CHAPTER 2: GENERAL SAFETY RECOMMENDATIONS

**WARNING**

Do not install, operate or service this product unless you have read and understand the General Safety Recommendations, Warning Labels, contained in this manual. Failure to do so may result in bodily injury, or property damage.

**WARNING**

Read, study and understand the installation and operating instructions contained in, or referenced in this manual before operating. If you do not understand the instruction, ask a qualified technician. Failure to do so may result in bodily injury, or property damage and will nullify all warranties.

**DANGER**

Disconnect all power to the junction box prior to making any electrical connections. Failure to do so may result in serious personal or fatal injury. When uncertain whether power supply is disconnected, always verify using a voltmeter.

**DANGER**

Do not place finger or uninsulated tools inside the electrical controller. Touching wires or other parts inside the enclosure may cause electrical shock, serious injury or death.

**CAUTION**

The Ground wire from the Opus Control 120 VAC Harness, and the Incoming 120 VAC Ground wire must be connected to the Ground screw located within the Swing door Header.

**CAUTION**

If the door appears broken or does not seem to work correctly, it should be immediately removed from service until repairs can be carried out or a qualified service technician is contacted for corrective action.

**Notice:** This manual, the owner's manual and all other associated manuals must be given to and retained by the purchasing facility or end user.

**Notice:** Wiring must meet all local, state, federal or other governing agency codes.

**Notice:** All electrical troubleshooting or service must be performed by qualified electrical technicians and must comply with all applicable governing agency codes.

*Note:* All Adjustments must be made with a small screwdriver. Do Not use a pencil.

*Note:* Do Not take shortcuts.

## CHAPTER 3: SCOPE

### SECTION 3.1: To the Installer

The purpose of this manual is to familiarize the installer and purchaser with the proper installation and operation of this system. It is essential that this equipment be properly installed and operational before the door is used by the public. It is the installer's responsibility to inspect the operation of the entrance system to be sure it complies with any applicable standards. In the United States, ANSI Standard 156.10 covers the GT-1175 Slide Door System. Other local standards or codes may apply. Use them in addition to the ANSI standard. The GT-1175 is listed with the Underwriters Laboratory and is identified as such on the label.

Instruct the building owners and operator on the essentials of the operation of the door and this device. The owner should follow these instructions to determine whether the door is operating properly and should immediately call for service if there is any malfunction. All installation changes and adjustments must be made by qualified, NABCO trained technicians.

### SECTION 3.2: Objective

The GT-1175 Standard Slide Door system is designed to be installed within a Rough Opening of a Building. The door function is controlled by the U30 Microprocessor Control. This control offers many features to accommodate most installation options. This manual offers step by step instructions.

#### CAUTION

**A pedestrian Door that does not have its glass sections installed at the Factory shall specify that the glazing material employed is to comply with the requirement in UL 325 par.29.5.1:**

**“The glazing material in both fixed and sliding panels of all sliding doors and in all unframed swinging doors shall comply with the requirements in the Performance Specifications and Methods of Test for Safety Glazing Material Used in Buildings, ANSI Z97.1. Glazing material for other pedestrian doors shall also comply with ANSI Z97.1, except that single strength or heavier glass may be used for those portions of doors involving a glazed area of less than 1ft<sup>2</sup> (0.9 m<sup>2</sup>) and having no dimension greater than 18 in (457 mm)”.**

## CHAPTER 4: GETTING STARTED

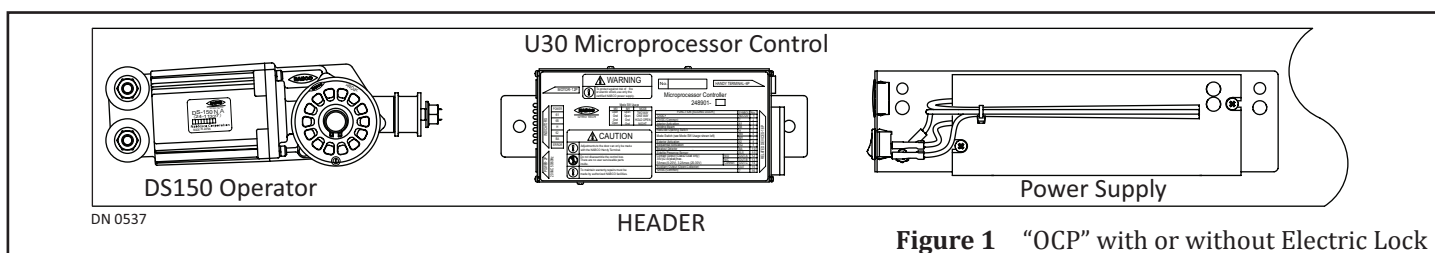
### SECTION 4.1: Types of Units

- ▶ Mechanical Configurations:
  - Single Slide: (1) Slide Door that slides to the right or left with (1) Sidelite Panel.
  - Bi-Part: (2) Slide Doors that slide apart from the center with (2) Sidelite Panels.
- ▶ Emergency Egress:
  - Full Open: Both the Slide door and Swing Sidelite break out for emergency egress.
  - Fixed Sidelite: Secured to the Header and Jamb Tube. Only the Slide door breaks out for emergency egress.

### SECTION 4.2: Header Configuration

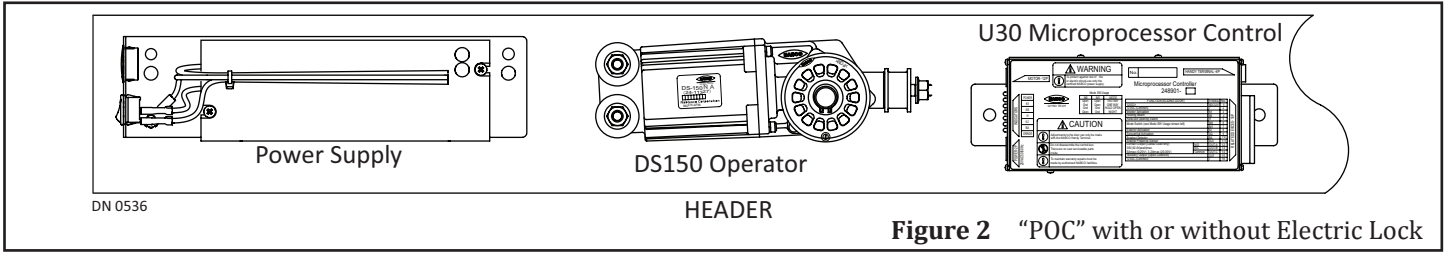
Components within the Header are layed out in (1 of 3) different configurations to ensure proper operation of the Drive Belt. However, no matter the configuration, the Power Supply must never be installed between the U30 Microprocessor Control and the Operator. Please see details listed below:

- ▶ Operator/Control/Power
  - Header Width is not wide. Operator needs to be installed to the left of the U30 Control.



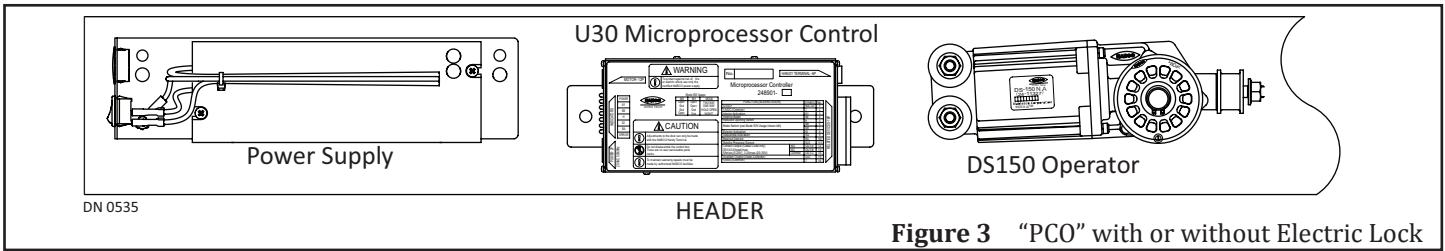
**Figure 1** “OCP” with or without Electric Lock

- ▶ Power/Operator/Control
  - Header Width is wide, but Operator still needs to be installed between the Power Supply and the U30 Control.



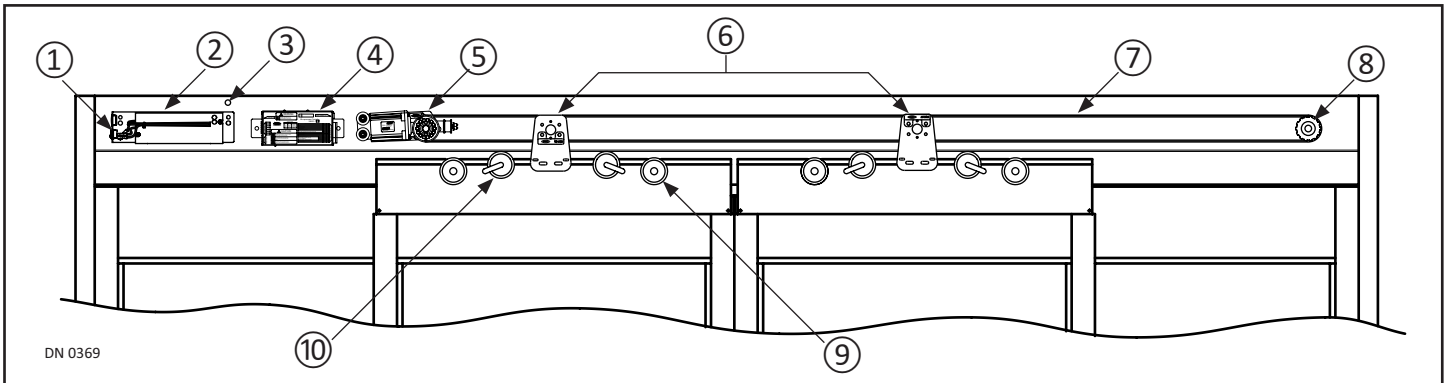
**Figure 2** "POC" with or without Electric Lock

- ▶ Power/Control/Operator
  - Header Width is wider. Operator can be installed to the right of the Power Supply and the U30 Control.



**Figure 3** "PCO" with or without Electric Lock

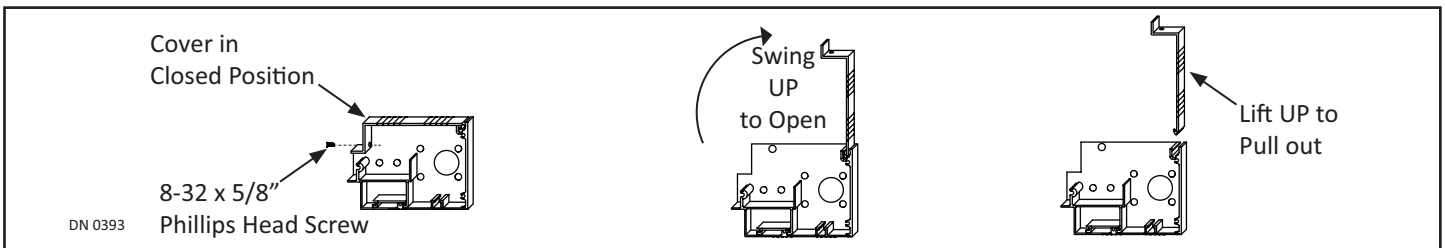
**SECTION 4.3: Header Components**



1	Power Cut Off Switch	N/A	6	Belt Clip Assembly	A-00759
2	DS 150/U30 Power Supply	A-00717	7	Timing Belt 3/4" wide	M-01491
3	Handy Terminal Harness	M-01517	8	Idler Assembly	A-00042
4	U30 Microprocessor Control	V-00020	9	Anti Rise Roller	A-00163
5	DS 150 Operator	M-00395	10	Hanger Roller	A-00162

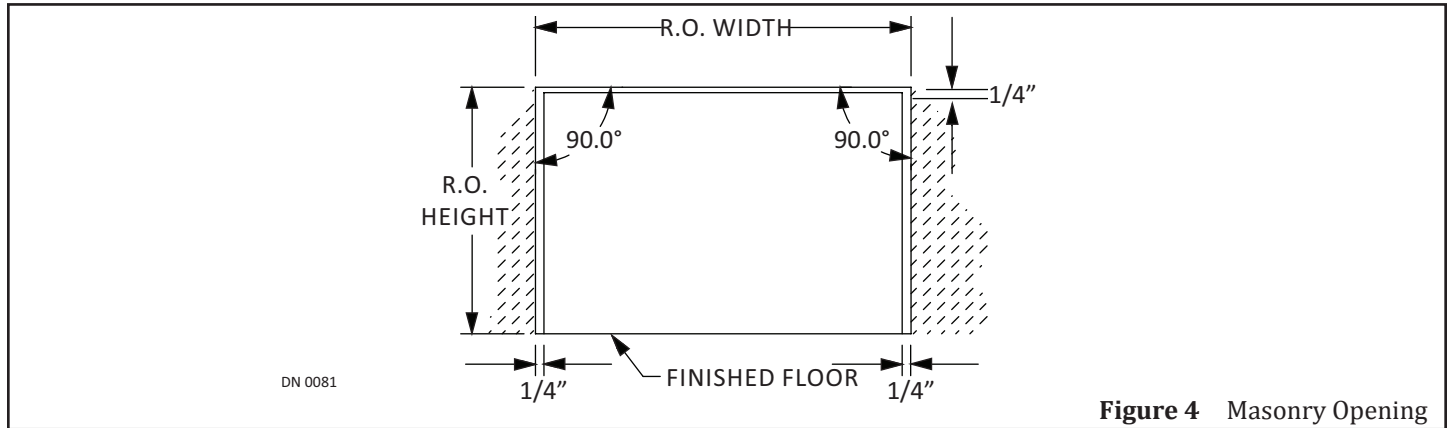
**SECTION 4.4: Remove the Header Cover**

1. Remove (2) 8-32x0.625L Flat head screws. Remove Header Cover by lifting it up and then pulling it out.
2. Unplug the Sensor (if equipped). Remove Parts boxes and/or Parts bags from inside Header.



## CHAPTER 5: INSPECT THE ROUGH OPENING

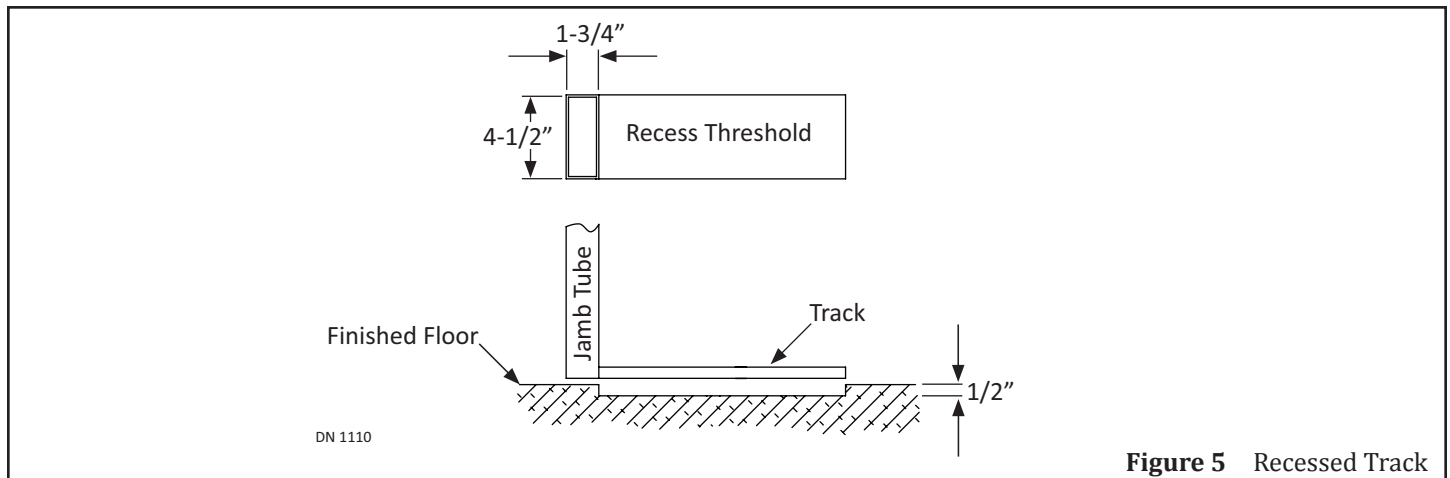
1. Ensure the Rough Opening is correct size.
  - ▶ The width of the Rough Opening should equal: **PACKAGE WIDTH + 1/4 INCH ON EACH SIDE**
  - ▶ The height of the Rough Opening should equal: **PACKAGE HEIGHT + 1/4 INCH**



**Figure 4** Masonry Opening

*Note: Make allowances for tile or other existing materials that may change the floor height.*

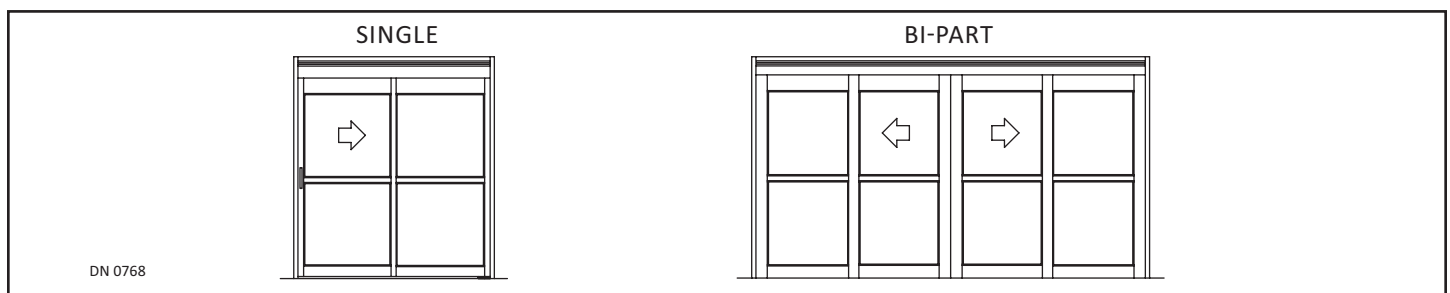
2. Ensure the floor is level across the entire opening.
  - a. If used, check recessed threshold across the door opening.



**Figure 5** Recessed Track

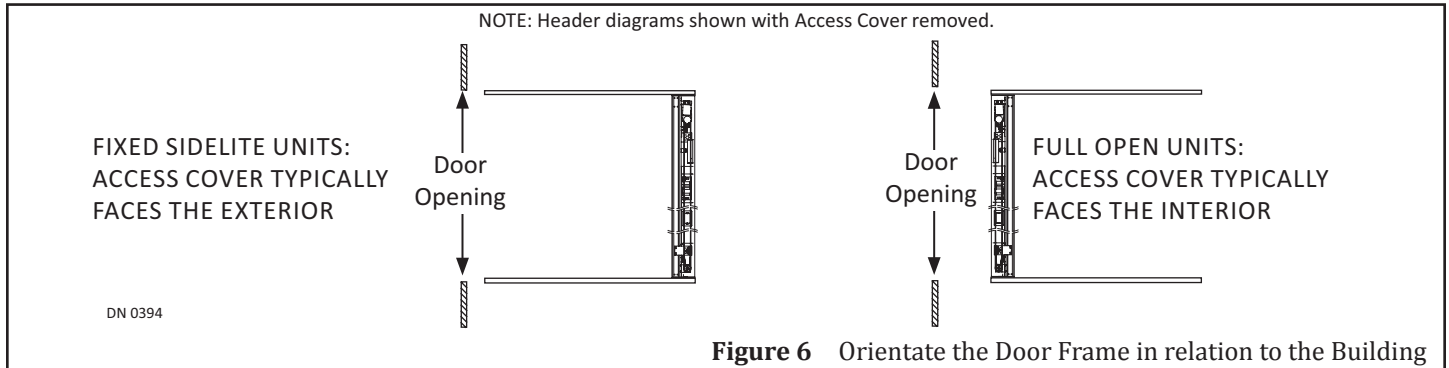
## CHAPTER 6: ASSEMBLE DOOR FRAME (NO TRANSOM)

*FOR DOOR FRAMES WITH A TRANSOM SKIP TO CHAPTER 7*

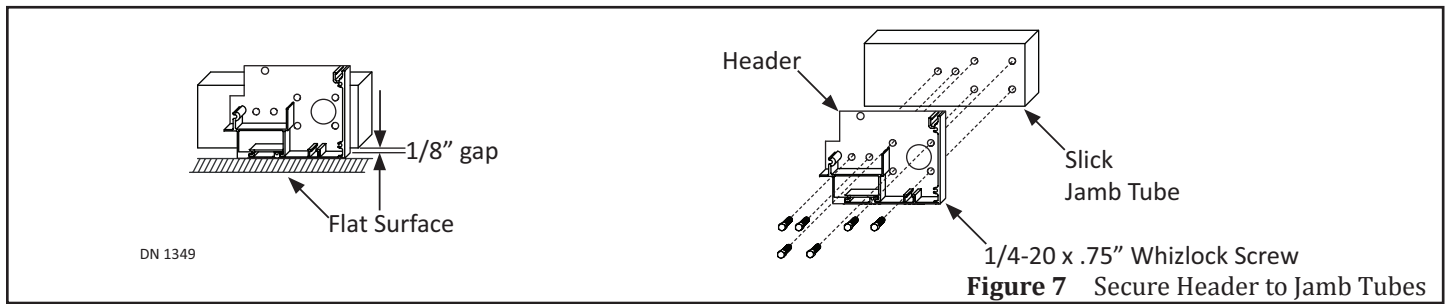


1. Position Jamb Tubes on either side of Header according to the instruction sticker located on each Jamb Tube, showing proper location and orientation.
  - a. Ensure the removable cover side of Header is facing up.

2. Orientate the Frame in relation to the building:
  - ▶ Fixed Sidelite: Removable Cover side of Header must face the Exterior side of building.
  - ▶ Full Open: Removable Cover side of Header must face the Interior side of building.



3. Secure the Header to each Jamb Tube with (6) 1/4-20 x .75 Whizlock screws.
  - a. If installed correctly there will be a 1/8 inch gap between the bottom of Jamb Tubes and the flat surface.

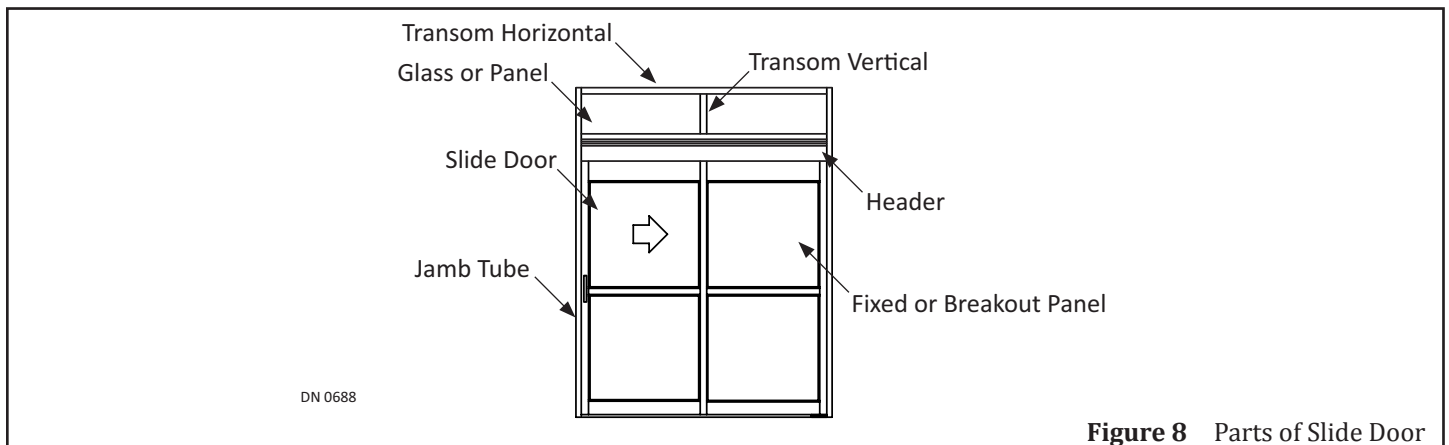


## CHAPTER 7: ASSEMBLE DOOR FRAME (WITH TRANSOM)

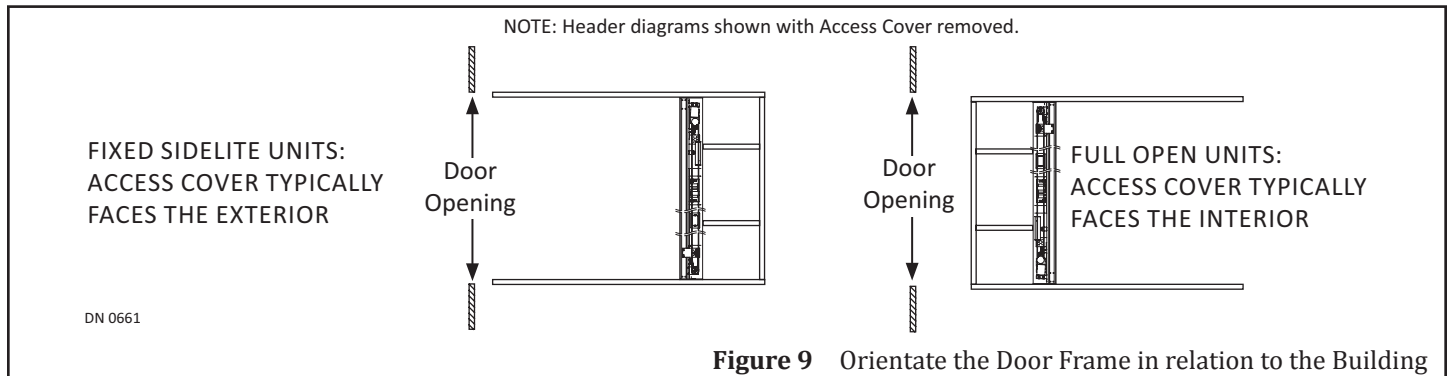
### FOR UNITS NOT INSTALLING A TRANSOM SKIP TO CHAPTER 8

The Transom is installed on top of the Header when glass windows (or panels) are needed above the Door Unit. The Transom is used to frame glass windows or panels, with four parts:

- ▶ Transom Horizontal: Secured between the top of (2) Pocketed Jamb Tubes, and the top of Rough Opening.
- ▶ Transom Vertical:
  - Secured between the Transom Horizontal and the top of Header.
  - Used to divide where windows or panels are inserted into.
- ▶ Transom Clip: Installed on the Header to secure Transom Verticals.
- ▶ The Glass Stop Assembly: A retaining strip mounted vertically or horizontally to secure glass.

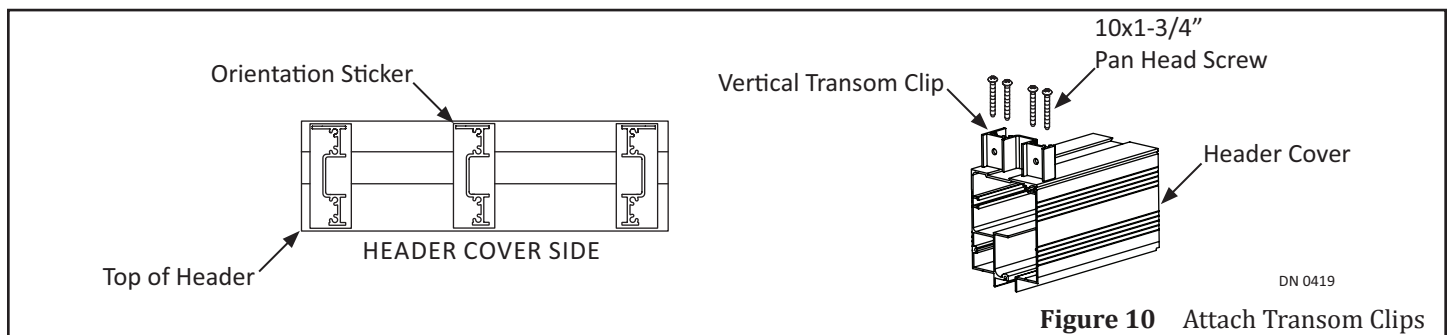


1. Position Jamb Tubes on either side of Header according to the instruction sticker located on each Jamb Tube, showing proper location and orientation.
  - a. Ensure the removable cover side of Header is facing up.
2. Orientate the Frame in relation to the building:
  - ▶ Fixed Sidelite: Removable Cover side of Header must face the Exterior side of building.
  - ▶ Full Open: Removable Cover side of Header must face the Interior side of building.



**SECTION 7.1: Secure Transom Clips to Header**

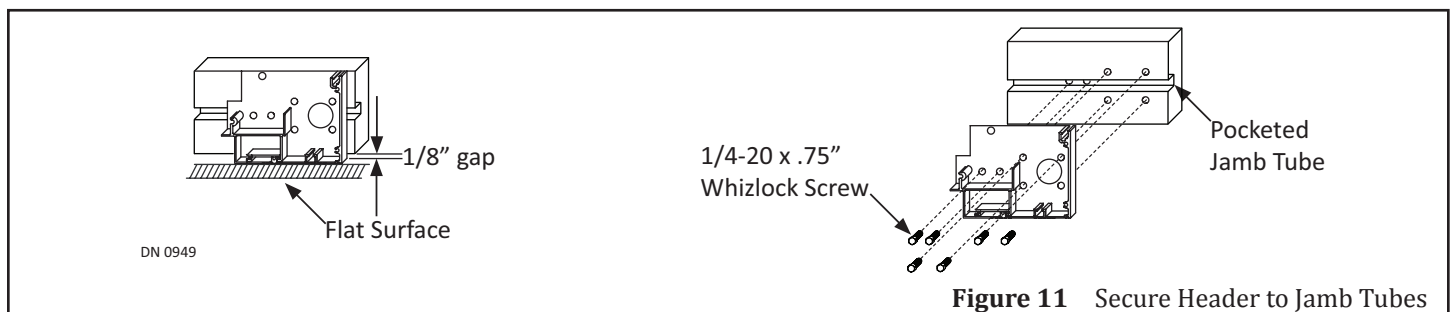
1. Locate pre-drilled holes on Header.
2. Secure Transom clips to Header with 10 x 1-3/4 inch Phillips Pan Head screws.
  - a. Please refer to the instruction sticker located on the Header for proper location and orientation.
  - b. Be sure to orientate all Transom Clips in relation to the Header cover.



**SECTION 7.2: Secure Header and Transom to Pocketed Jamb Tubes**

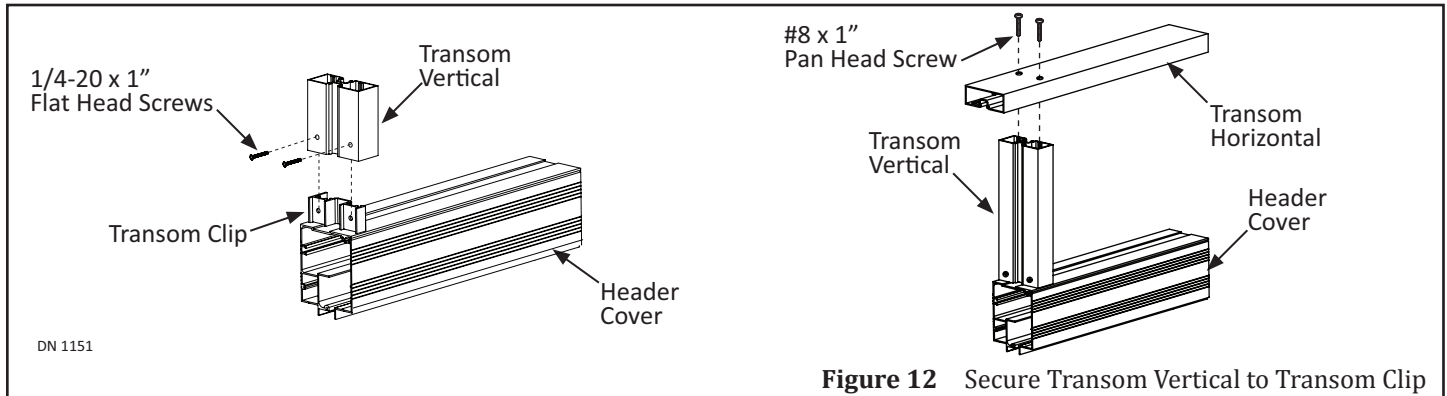
*Note: 1175 Slide Door Units installed with a Transom are shipped with Pocket Jamb Tubes only.*

1. Place the Header between the Pocket Jamb Tubes so the removable cover side is facing up.
  - a. Ensure the Frame is still orientated in relation to the building.
2. Secure the Header to each Jamb Tube with (6) 1/4-20 x .75 Whizlock screws.
  - a. If installed correctly there will be a 1/8 inch gap between the bottom of Jamb Tubes and the flat surface.

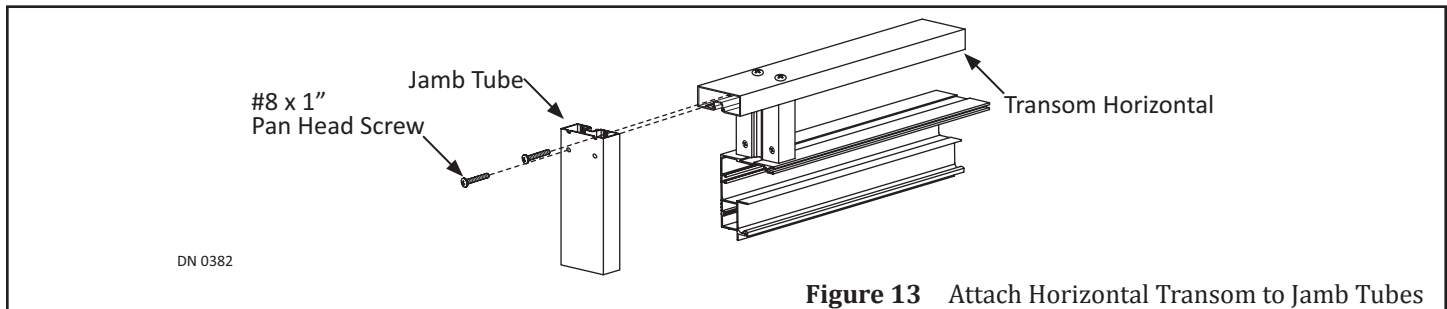




3. Slide and secure each Transom Vertical onto (1) Transom clip with 1/4-20 x 1" Flat Head screws.
4. Insert #8 x 1 inch Pan Head screws into each predrilled hole located on top of the Transom Horizontal.
5. Place the Transom Horizontal onto the Transom Verticals. Tighten each #8 x 1 inch Pan Head screw.



6. Insert #8 x 1 inch Pan Head screws into each predrilled hole located on the outside face of each Pocketed Jamb Tube.
7. Align the Transom Horizontal with the Jamb Tubes. Tighten each #8 x 1 inch Pan Head screw.



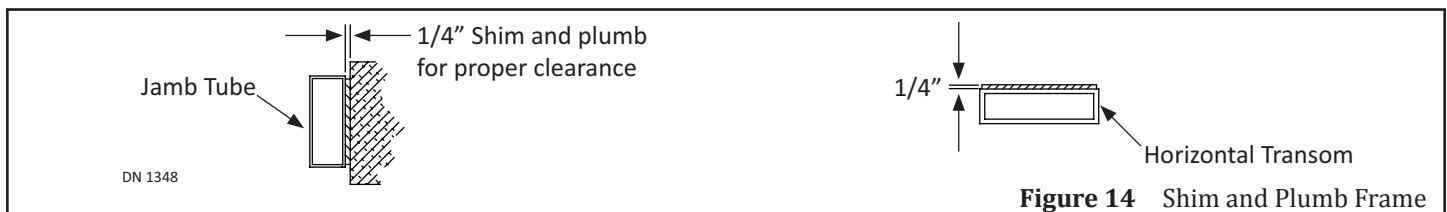
### 7.3 Install the Tie Rods

#### **FOR TRANSOMS UNDER 11 FEET SKIP TO CHAPTER 8**

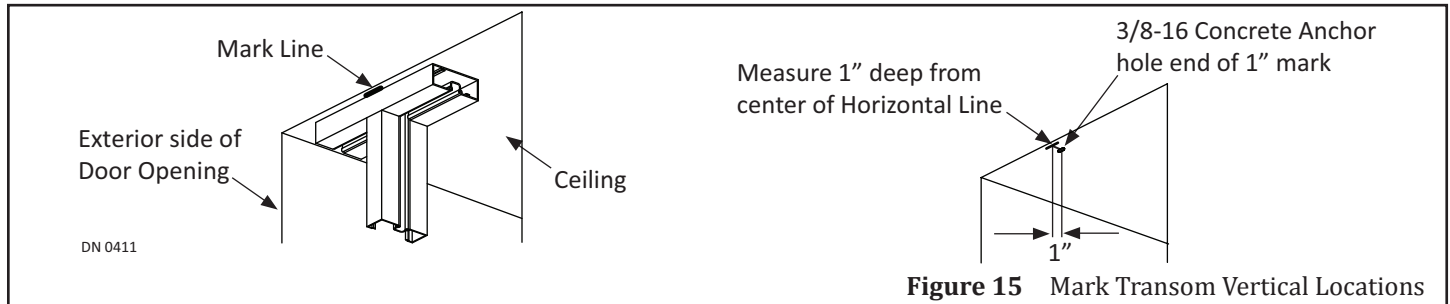
*Note: Tie Rods are used for Transom Units that are 11 feet to 12 feet tall.*

*Note: For units taller than 12 feet, please call Technical Support at 1-866-622-8325, for installation instructions.*

1. Lift to position the assembled Frame into the rough opening.
2. Shim and Plumb Jamb Tubes in both planes to ensure the rough opening allows a 1/4 inch clearance.
3. Shim and plumb the Transom Horizontal at the top to ensure the rough opening allows a 1/4 inch clearance.

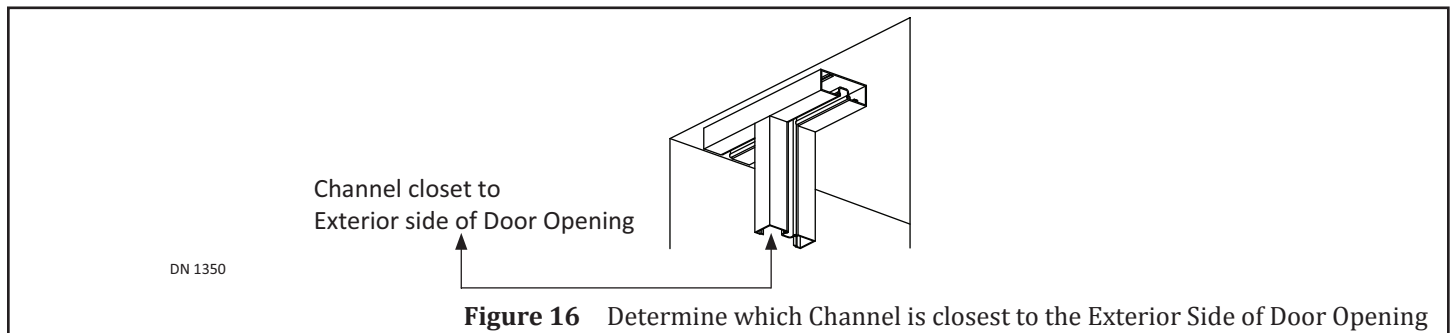


4. Go to the side of Header that is closest to the Exterior side of Door Opening,
5. Mark the exact location of each Transom Vertical by drawing a horizontal line (the full width of the Transom Vertical); along the outside edge of the Transom Horizontal; onto the ceiling of the Rough Opening.
  - a. Do not draw the line wider than the Transom Vertical.
  - b. It is recommended to use a level for this step.
6. From the center of each Horizontal line, measure 1 inch deep (towards the interior side of building). Mark a Vertical line onto the ceiling of the Rough Opening.
  - a. It is recommended to use a level for this step.



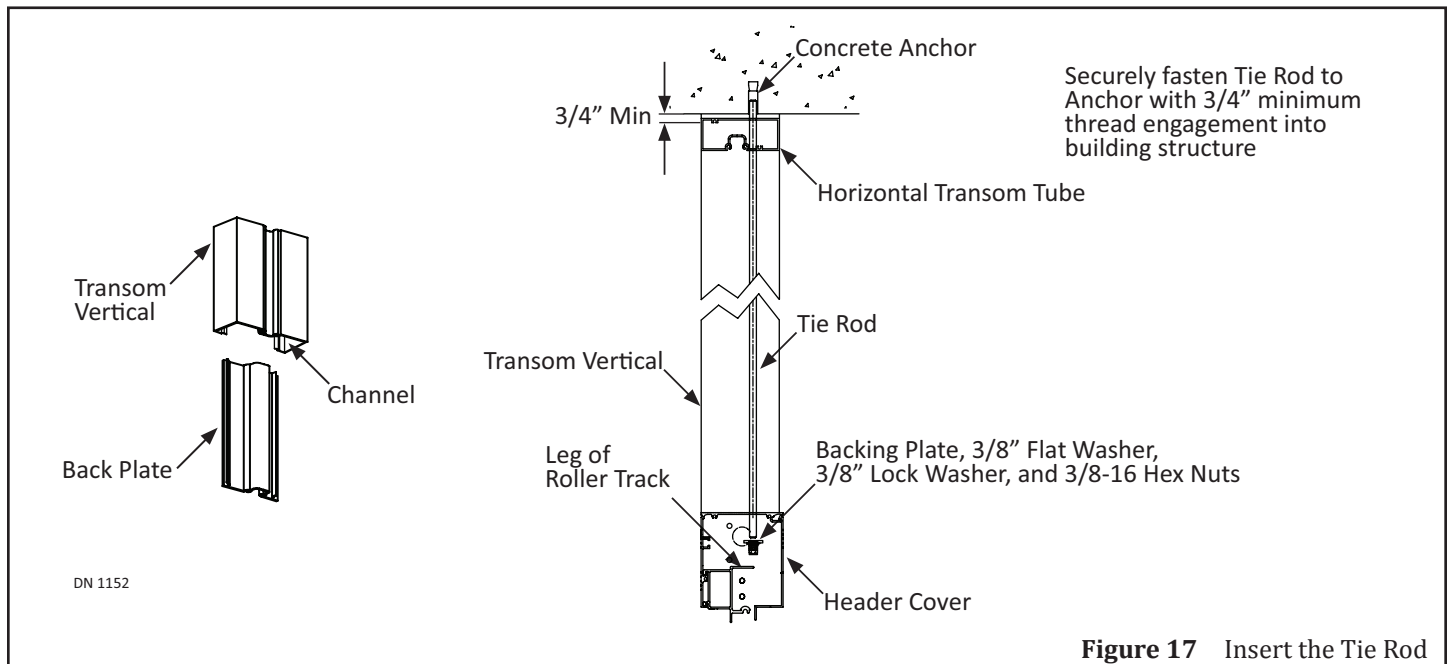
**Figure 15** Mark Transom Vertical Locations

7. Carefully remove the Door Frame from the Rough Opening. Set aside.
8. At the end of each Vertical Line mark, drill (1) 3/8-16 Concrete Anchor hole into the ceiling of the Rough Opening,
9. Obtain all Tie Rods. (1) Tie Rod Parts box is shipped for each Transom Vertical.
10. Snap the Back Plate out from each Transom Vertical for easy access to the Tie Rod.
11. Transom Verticals are pocketed with (2) channels. Determine which channel is closest to the Exterior side of Door Opening.



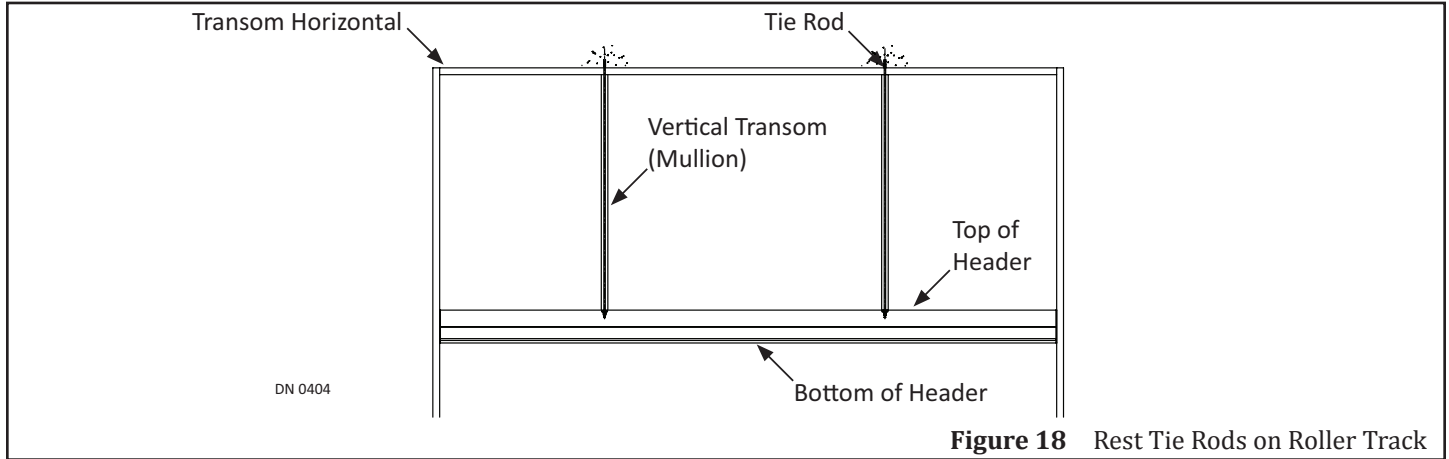
**Figure 16** Determine which Channel is closest to the Exterior Side of Door Opening

12. Insert (1) Tie Rod into that channel.
13. Insert each Tie Rod down into the 1 inch, pre-drilled hole located at the top of Header.
14. Once the Tie Rod is through the Header, loosely attach (1) Backing Plate, (1) 3/8 inch Washer, (1) 3/8 inch Lock Washer and (1) 3/8-16 Hex Nut (in that order) to the bottom of the Tie Rod.
  - a. The length of each Tie Rod equals the distance between the top of the Header and the top of the Transom Horizontal, plus 2-5/8 inches.



**Figure 17** Insert the Tie Rod

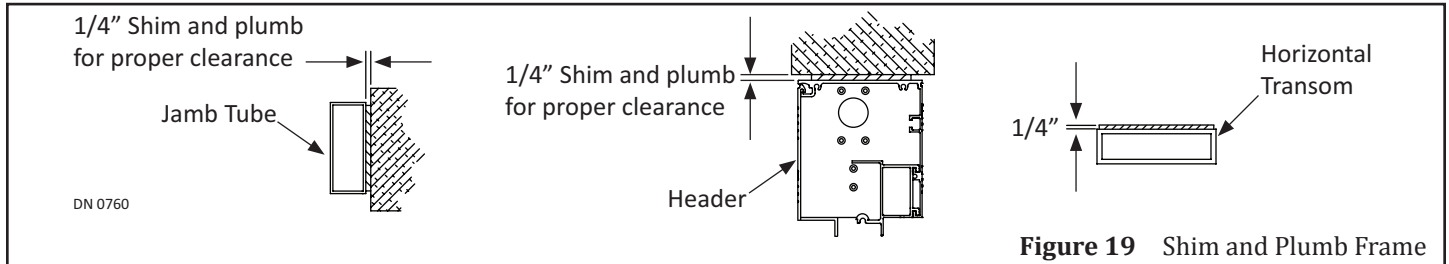
15. Allow each Tie Rod to rest on the Roller Track "Leg" within the Header.
  - a. The Tie Rod must remain inside the Transom Vertical until the Frame is fully secured into the Rough Opening.
  - b. Tie Rod Installation is completed after the Frame is installed.



**Figure 18** Rest Tie Rods on Roller Track

## CHAPTER 8: SECURE DOOR FRAME TO BUILDING

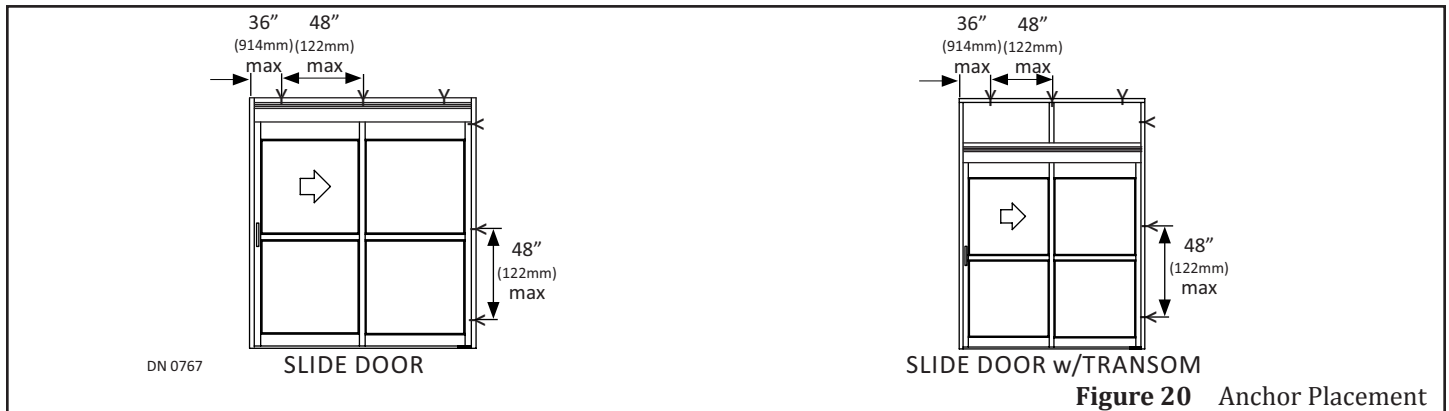
1. Lift to position the assembled Frame into the rough opening.
  - a. To prevent electrical interference for the 120 Vac Line, always route 120 Vac Power through the Header Endcap that is opposite to the controller and motor/operator.
  - b. Please refer to "Model GT 1175 Electrical Installation Manual"; P/N C-00198 for detailed information.
2. Shim and Plumb Jamb Tubes in both planes to ensure the rough opening allows a 1/4 inch clearance. Shim and plumb the Header or the Transom Horizontal at the top to ensure the rough opening allows a 1/4 inch clearance.



**Figure 19** Shim and Plumb Frame

### SECTION 8.1: Anchor Placements

- ▶ Anchors are not provided by NABCO.
- ▶ Anchors must be appropriate for the type of structure being fastened to.
- ▶ Screw in anchors to secure the Frame (per manufacturer's specifications).
- ▶ Ensure anchor heads do not come in contact with edges of glass to prevent breakage.



**Figure 20** Anchor Placement

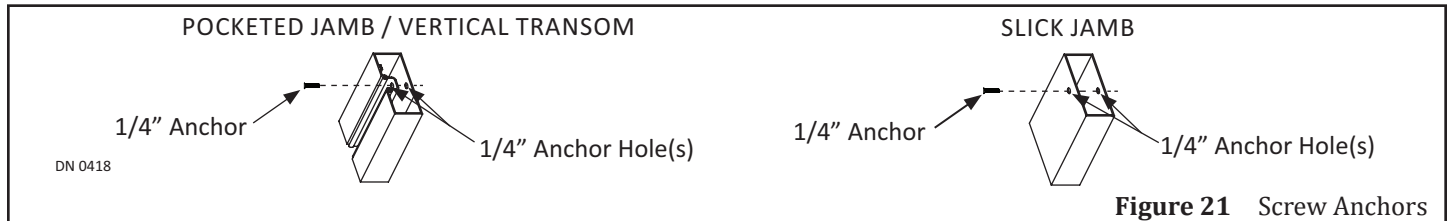
*Note: It is recommended to countersink holes as required to flush the surface.*

*Note: It is recommended to drill tap threads for 1/4 inch anchors in a steel or aluminum structure.*

*Note: Do not overtighten anchors to prevent deforming Jamb Tubes.*

### 8.1.1 Jamb Tubes

Use 1/4 inch diameter anchors with a minimum of 3 per Jamb Tube, maximum is 48 inches on center. Drill 1/4 inch diameter holes in the face of Jamb and then countersink each hole.



**Figure 21** Screw Anchors

### 8.1.2 Transom Horizontal

- ▶ Use 1/4 inch diameter anchors with a minimum of 3 per Transom tube, maximum is 48 inches on center. Anchoring is required within 8 inches of all vertical mullions.
- ▶ Drill 1/4 inch diameter holes in the face of Transom Horizontal and then countersink each hole.

### 8.1.3 Header

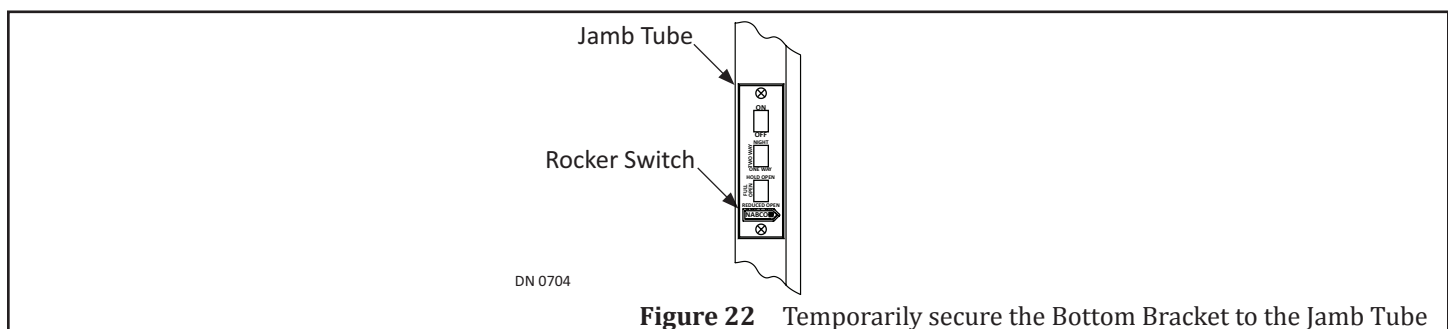
To prevent Header sag, use 1/4 inch diameter anchors or 3/8 inch threaded rods, with a maximum 48 inches on center. First anchor maximum is 36 inches from each end of the Header. Drill 1/4 inch diameter holes inside the top of Header.

## SECTION 8.2: Complete the Tie Rod Installation (For Transom Units only)

1. After the Frame has been installed, slide each Tie Rod up the Channel into each 3/8-16 Anchor located in the ceiling.
  - a. The 3/8-16 Anchor is used to securely fasten the Frame.
2. Go to the bottom of each Tie Rod. Tighten the 3/8-16 Hex Nut and 3/8 inch Lock Washer to secure the Backing Plate.
3. Snap the Back Plate back into each Transom Vertical.
  - a. It may be necessary to use a rubber mallet to slightly tap the Back Plate into place.
  - b. Protect the surface of the Back Plate before hitting it with a rubber mallet.

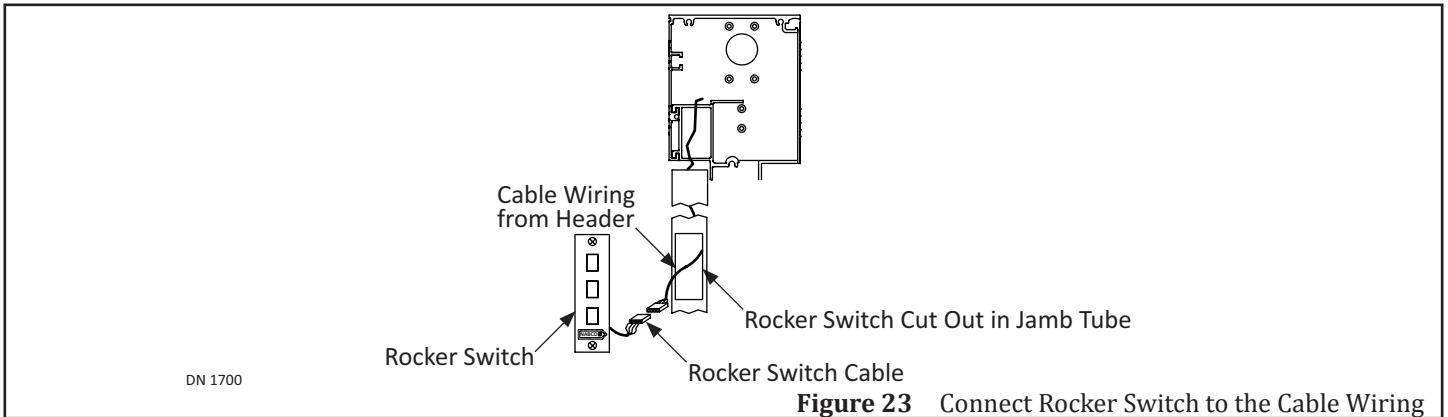
## CHAPTER 9: WIRE THE ROCKER SWITCH

1. Remove the Rocker Switch and (2) screws from the Jamb Tube.



**Figure 22** Temporarily secure the Bottom Bracket to the Jamb Tube

2. There is approximately (2) feet of Cable Wiring connected to the Main Harness inside the Header. Withdraw the Cable Wiring through a hole at the bottom Lip of Header. Continue to route the Cable Wiring through the top of Jamb Tube, then down to where the Rocker Switch was removed.
3. Pull the Cable Wiring through the cut out. Connect the Cable Wiring to the Rocker Switch Harness.
4. Secure the Rocker Switch to the Jamb Tube with (2) screws.



**Figure 23** Connect Rocker Switch to the Cable Wiring

### CHAPTER 10: INSTALL THE THRESHOLD

#### FOR UNITS NOT INSTALLING A THRESHOLD SKIP TO CHAPTER 11 OR CHAPTER 12

*Note: Do Not permanently secure the Threshold until the Slide Door has been installed. Doing so may cause misalignment.*

*Note: Thresholds are factory cut to be the same width as the door opening. However, extending the Threshold across the entire door opening is optional. To order additional track, please contact customer service at (877) 622-2694.*

*Note: Requesting Filler Inserts and Threshold Bumpers to be installed at the NABCO Factory is optional. To order Filler Inserts and/or Threshold Bumpers, please contact customer service at (877) 622-2694.*

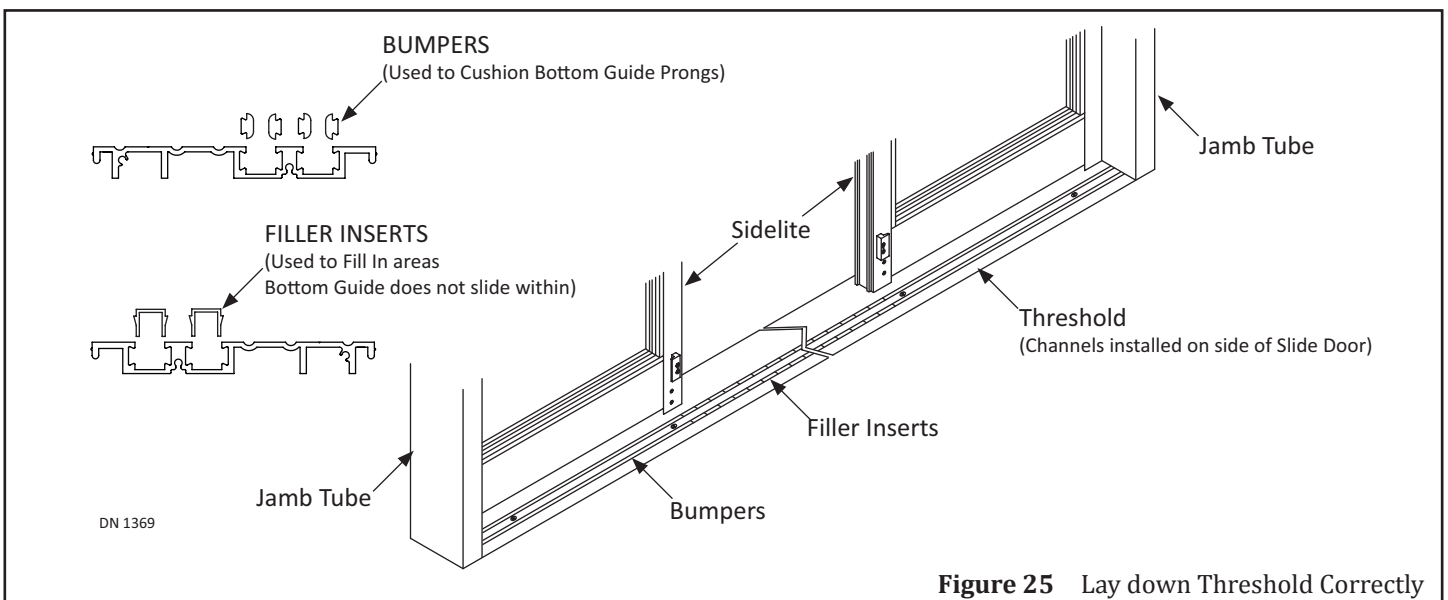
Standard Thresholds vary in width and can be installed two different ways:

- ▶ Recessed: Installed into the floor (1/2 inch deep) across the full length of the track.
- ▶ Surface: Installed on the surface of the floor with ramps attached to both sides.



**Figure 24** Recessed vs Surface Track

**Attention:** The Threshold must be laid down so the Channels are located on the side of Slide Door.

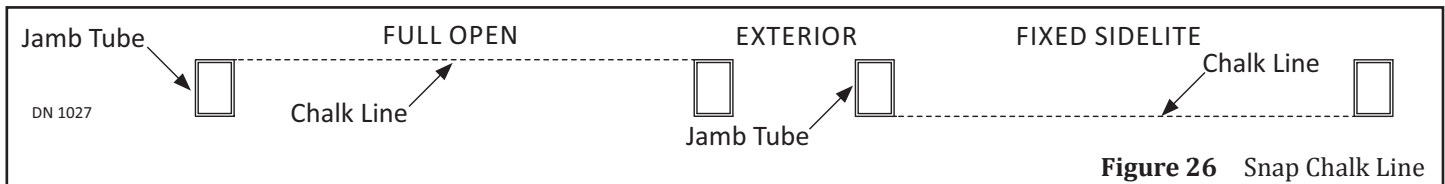


**Figure 25** Lay down Threshold Correctly

## SECTION 10.1: Install the Surface Threshold

*Note: Do Not permanently secure Floor Track until the Slide Door has been installed. Failure to do so may cause misalignment.*

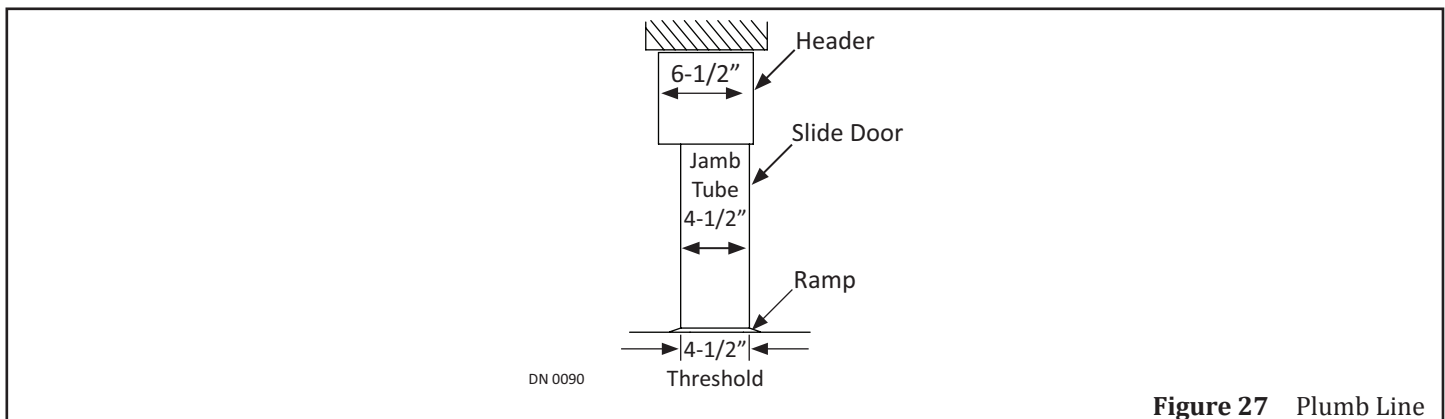
1. On the same side of Door Frame where the Sidelite will be installed, snap a chalk line on the floor from Jamb to Jamb.



**Figure 26** Snap Chalk Line

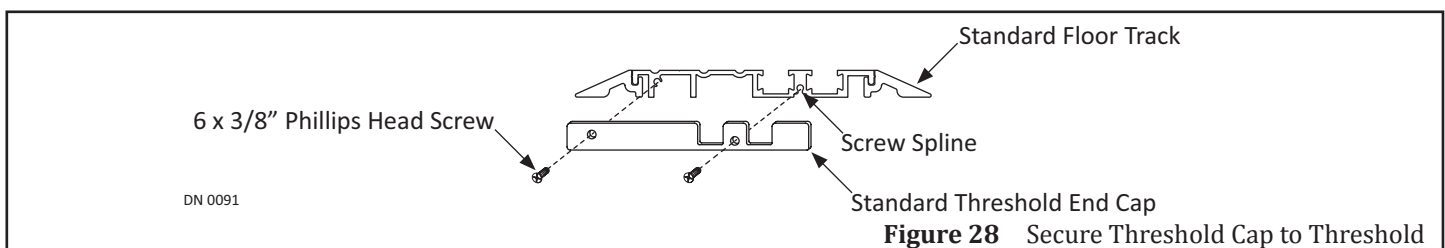
**Attention: Do Not center Threshold to Header. Doing so will cause misalignment.**

2. Lay down the Threshold so the Bumper Channels are on same side of Slide Doors.
3. Ensure the Threshold is centered to Jamb Tubes, and full length is flush with the chalk line.
4. Do not permanently install the Surface Threshold until the Slide Doors are completely installed.



**Figure 27** Plumb Line

5. Locate (2) screw splines on each end (exposed side) of the Threshold.
6. Secure (1) Threshold End Cap to each screw spline with (2) 6 x 3/8 inch Phillips Head screws.
  - a. Use a 1/8 inch diameter drill bit to make the screw spline bigger if the Threshold End Cap can not be properly secured with the screws provided.



**Figure 28** Secure Threshold Cap to Threshold

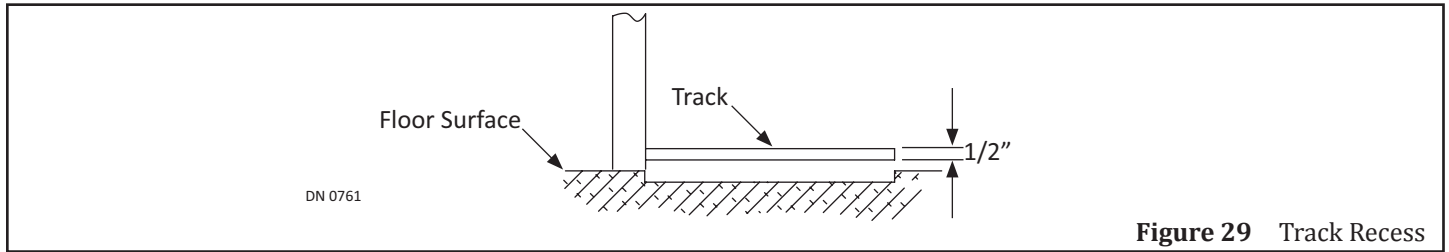
7. Do not permanently install the Surface Threshold until the Slide Doors are completely installed.

## SECTION 10.2: Install the Recessed Threshold

**FOR UNITS WITH NO THRESHOLD SKIP TO CHAPTER 11 OR CHAPTER 12**

*Note: Do Not permanently secure Floor Track until the Slide Door has been installed. Failure to do so may cause misalignment.*

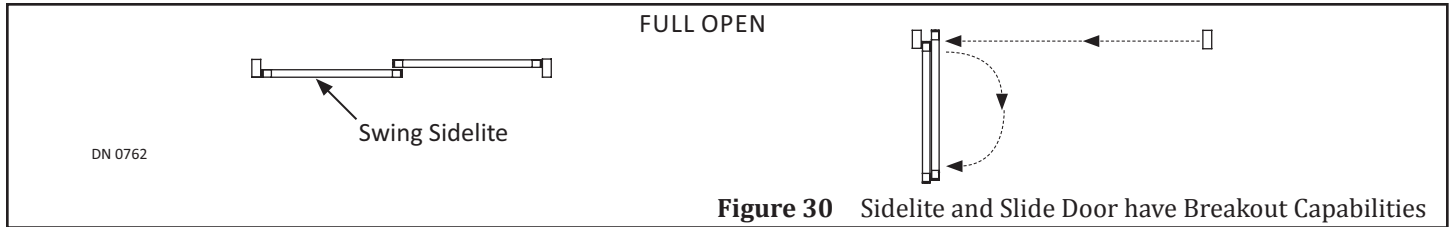
1. Snap a chalk line on the floor from Jamb to Jamb on both sides.
2. Create a channel that is 1/2 inch deep, full width of Jamb Tubes, and full length of Threshold.
3. Place the Threshold inside the channel so the full length is flush with the chalk line.
4. If not installed: Install Filler and Bumper inserts according to, steps 1 - 2.
5. Do not permanently install the Surface Threshold until the Slide Doors are completely installed.



**Figure 29** Track Recess

## CHAPTER 11: INSTALL THE FULL OPEN SIDELITE

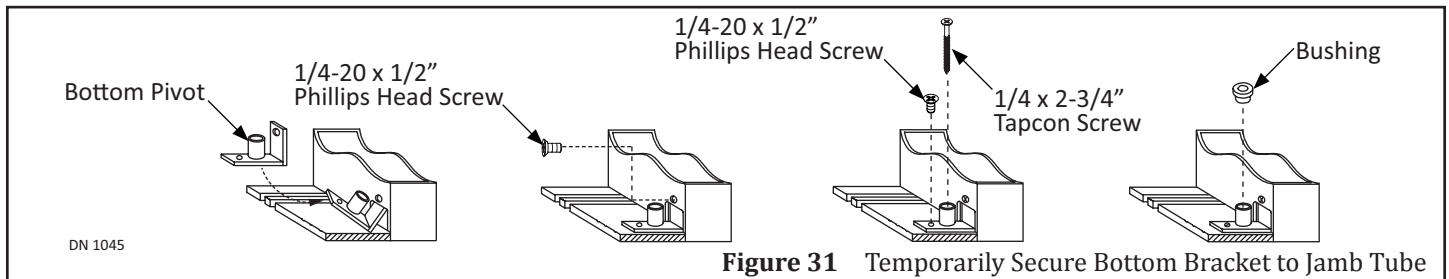
*FOR FIXED SIDELITE UNITS SKIP TO CHAPTER 12*



**Figure 30** Sidelite and Slide Door have Breakout Capabilities

### SECTION 11.1: Install the Bottom Pivot

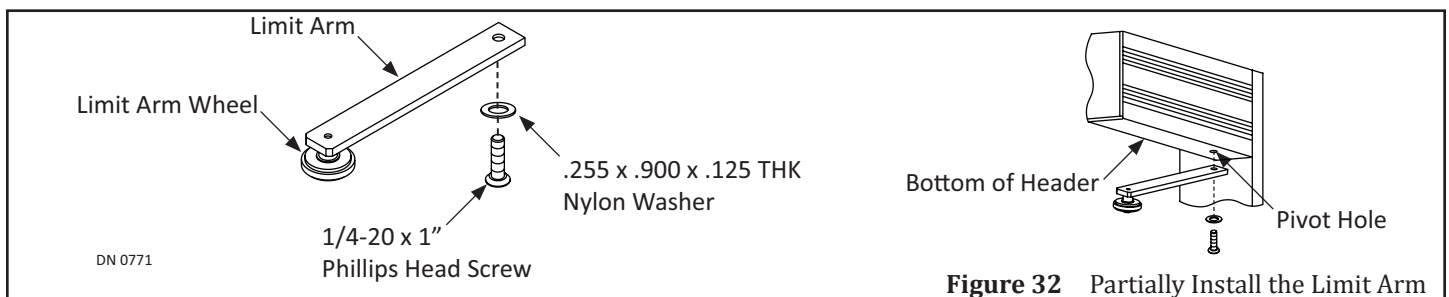
1. Go to the bottom of the Pivot Jamb Tube. Insert the Bottom Pivot into the hole.
2. Secure the Bottom Pivot to the Pivot Jamb Tube with (1) 1/4-20 x 1/2 inch Phillips Head screw.
3. Go to the screw hole located in front of the Barrel.
4. Secure the Floor Pivot to the Threshold with (1) 1/4-20 x 1/2 inch Phillips Head Screw.
5. Insert (1) 1/4 x 2-3/4 inch Phillips Head Screw inside the Barrel. Tighten.
6. Cap the Barrel with (1) Bushing.



**Figure 31** Temporarily Secure Bottom Bracket to Jamb Tube

### SECTION 11.2: Partially Install the Limit Arm

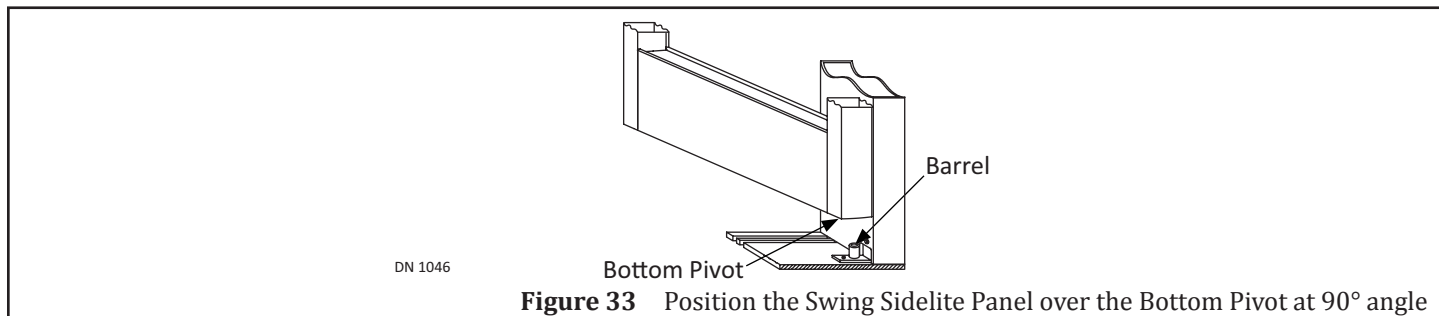
1. Slide (1) .255 ID x .900 OD x .125 THK Nylon Washer onto (1) 1/4-20 x 1 inch Phillips Head Screw.
2. Go underneath the Limit Arm. Insert the Washer and Screw up into the screw hole.
3. Go to the pre-drilled screw hole located at the bottom of Header (on the Pivot Side of Sidelite).
4. Secure the Limit Arm to the Header by tightening the Screw.
  - a. Loosely tighten (just enough to keep the Screw assembly from falling out of the hole).
  - b. Limit Arm installation is completed after the Swing Sidelite is fully installed.



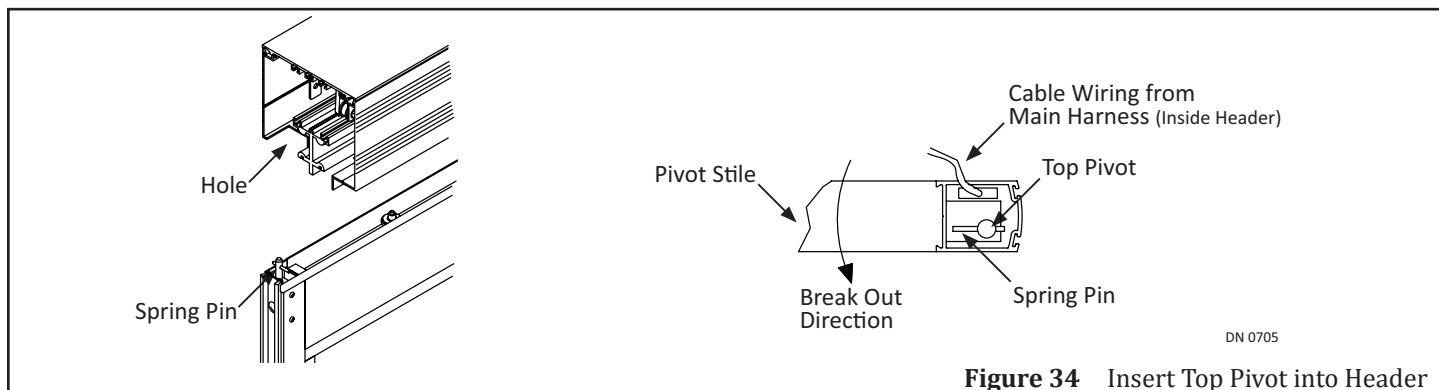
**Figure 32** Partially Install the Limit Arm

### SECTION 11.3: Install the Full Open Sidelite onto the Upper Pivot and Bottom Pivot

1. Locate the Bottom Pivot inside the Pivot Stile (at the bottom). Insert the Bottom Pivot into the Floor Pivot Barrel.



2. Go to the Top Pivot that is preinstalled inside the Pivot Stile. Push the Top Pivot down by pressing on the Spring Pin.
3. Align the Top Pivot with the Pivot Hole located at the bottom of Header.
4. Release the Spring Pin to allow the Top Pivot to snap up into the hole. Ensure the Top Pivot fully engages the hole.
  - a. If necessary, use a flathead screwdriver to lift up on the Spring pin until the Pivot Pin is fully seated within the hole.
  - b. Ensure not to pinch Cable Wiring.



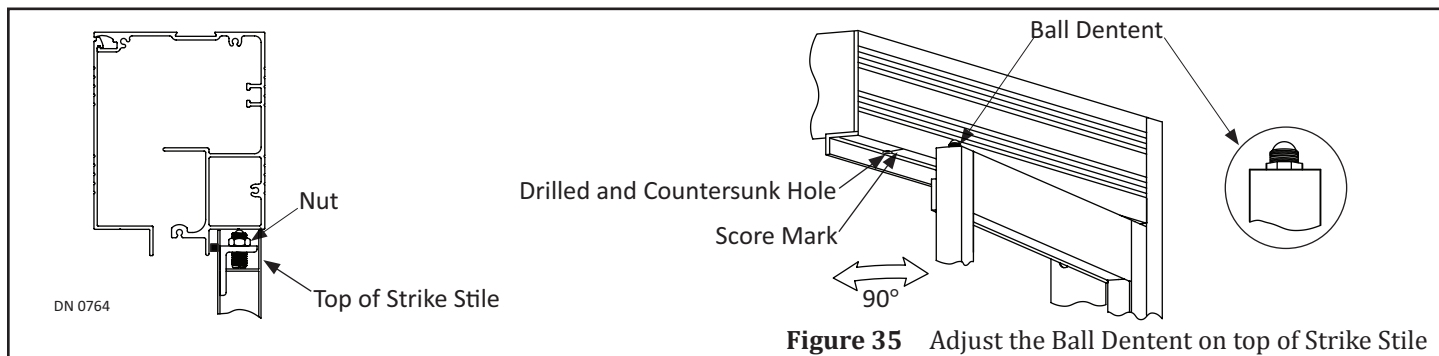
### SECTION 11.4: Complete Installation of the Limit Arm

1. Swing open the Swing Sidelite 90 degrees. Align and then rest the Limit Arm inside the Top Rail.
2. Open the Swing Sidelite all the way. Tighten (1) 1/4-20 x 1 inch Phillips Head screw to secure the Limit Arm to the Header.

### SECTION 11.5: Adjust the Ball Detents

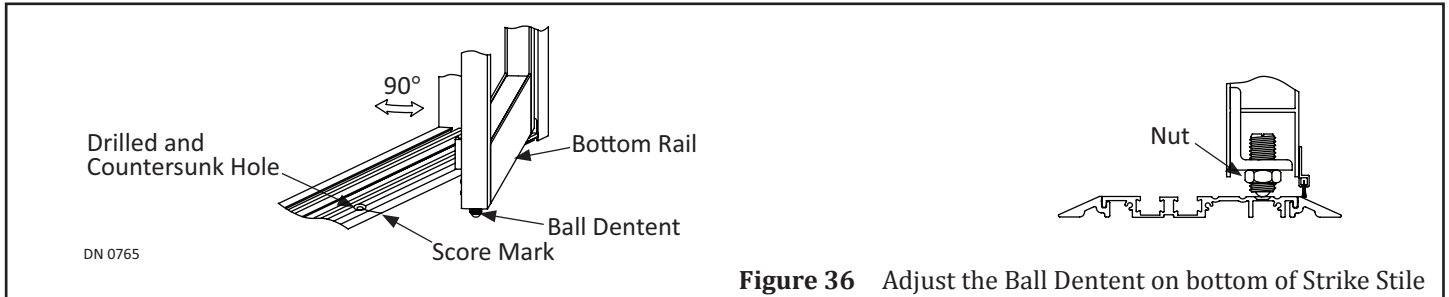
*Note: Breakout resistance for Ball Detents must meet ANSI Standard A156.10 or Local Codes.*

1. Go to the top of the Strike Stile. With a 15/16" Open End wrench, loosen the Nut to raise or lower the Ball Detent so it has light contact with the Bottom of Header.
2. Open and close the Swing Door several times to score the surface on the Bottom of Header locate and mark where the Score intersects the center groove.
3. With a 1/4 inch drill bit, drill a screw hole through the Bottom of Header. Countersink the screw hole 3/8 inch x 82°.





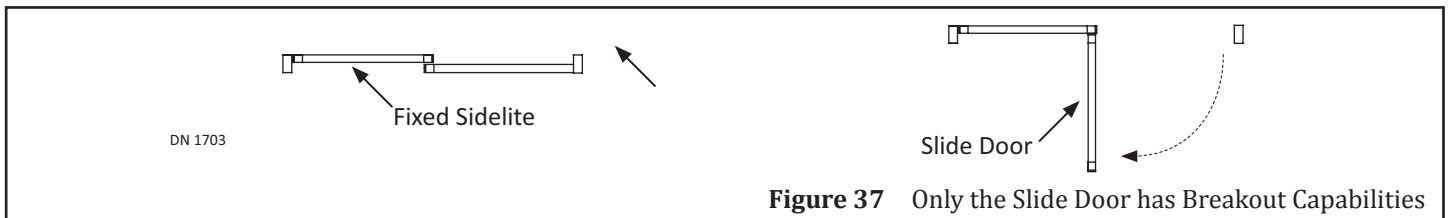
4. Go to the bottom of the Strike Stile. With a 15/16" Open End wrench, loosen the Nut to raise or lower the Ball Detent so it has light contact with the Threshold.
5. Open and close the Swing Door several times to score the surface on the Threshold. Locate and mark where the Score intersects the center groove.
6. With a 1/4 inch diameter drill bit, drill a hole through the Threshold (Just deep enough for the Ball Dentent to fit within). Countersink the screw hole to be 1/4 inch x 82°.



**Figure 36** Adjust the Ball Dentent on bottom of Strike Stile

7. Close and then break open the Swing door to test fit for both Ball Detents.
  - a. To adjust the fit, increase the size of the hole and countersink.
  - b. Do Not over-drill the hole. If hole is overdrilled the Threshold will need to be replaced.
  - c. For additional travel remove the Ball Detent Bracket to lower or raise the Ball Detent.

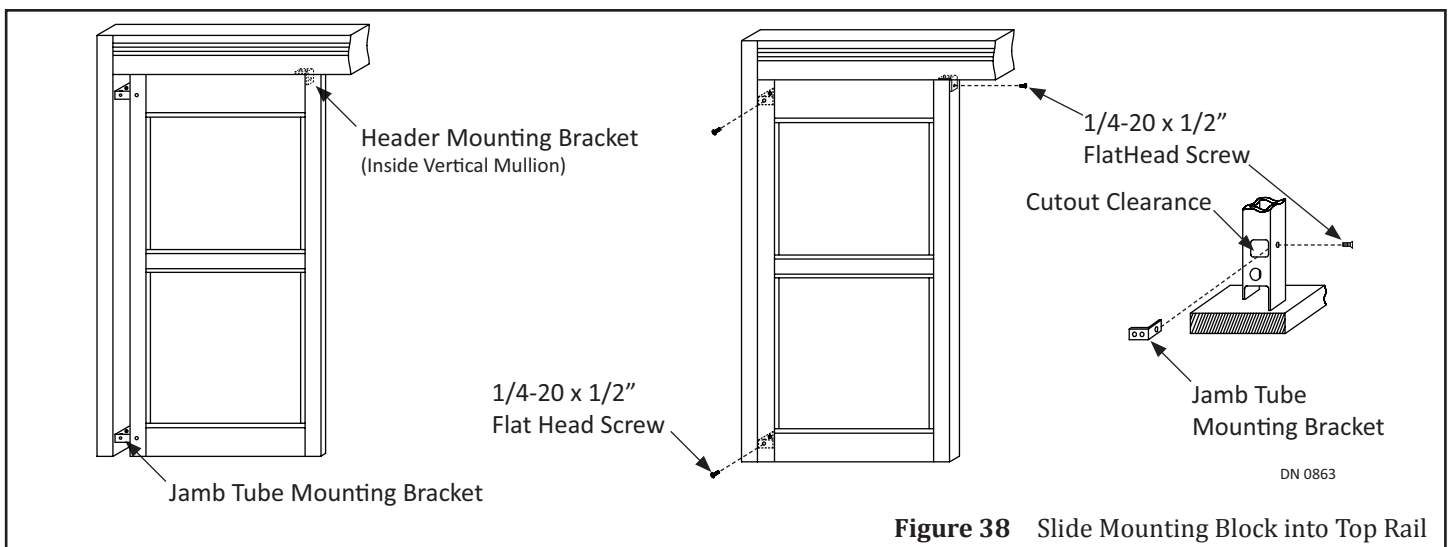
## CHAPTER 12: INSTALL THE FIXED SIDELITE



**Figure 37** Only the Slide Door has Breakout Capabilities

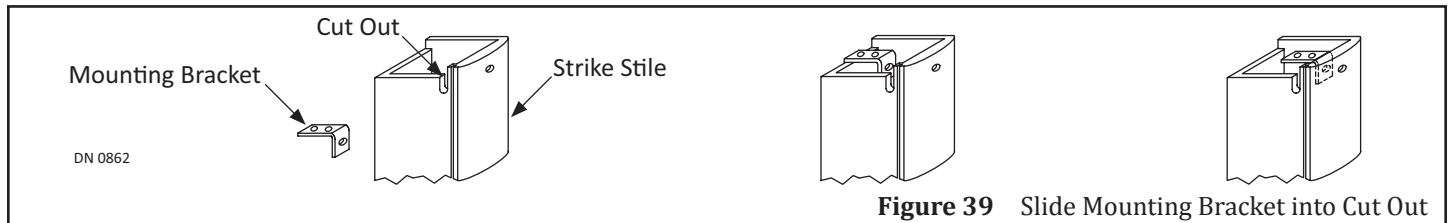
### SECTION 12.1: Secure the Fixed Sidelite to the Door Frame

1. Locate (2) Cut Outs on the side of the Pivot Stile. Align and then slide the Fixed Sidelite until (2) Mounting Brackets (preinstalled on the Pivot Jamb Tube) can be seated inside each Cut Out.
2. Slide the Fixed Sidelite towards the Interior of the Building until both Mounting Brackets butt up against the inside wall of the Pivot Stile.

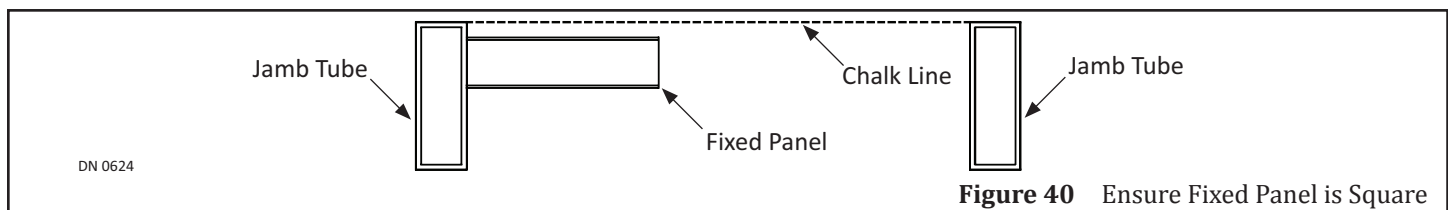


**Figure 38** Slide Mounting Block into Top Rail

3. Locate (1) cut out at the top of Strike Stile. Align and then slide the Fixed Sidelite until (1) mounting bracket (preinstalled under the Bottom Lip of Header) can be seated inside the Cut Out.

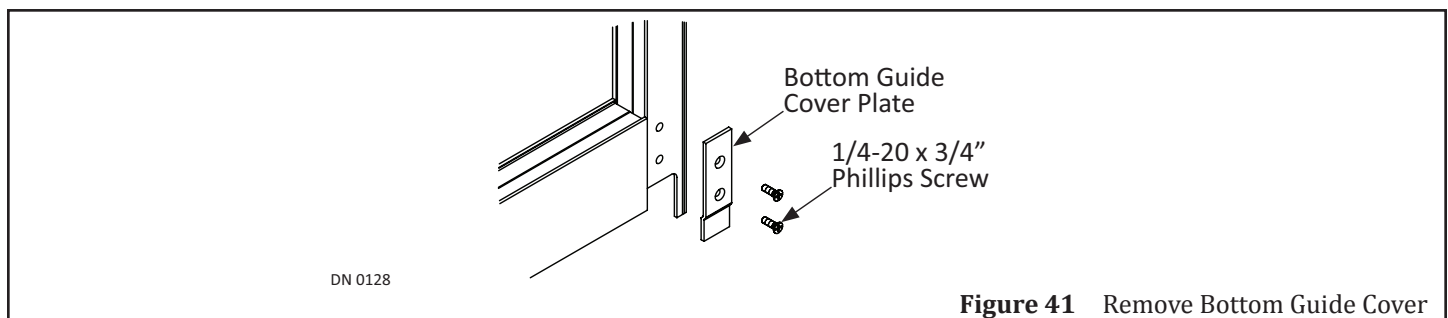


4. Snap a chalk line between Jamb Tubes in front of Sidelite Panel. If the Sidelite Panel runs parallel to chalk line, it is square.
5. Secure the Fixed Sidelite Panel to all (3) Mounting Brackets with 1/4-20 x 1/2 inch Flat Head Screws.

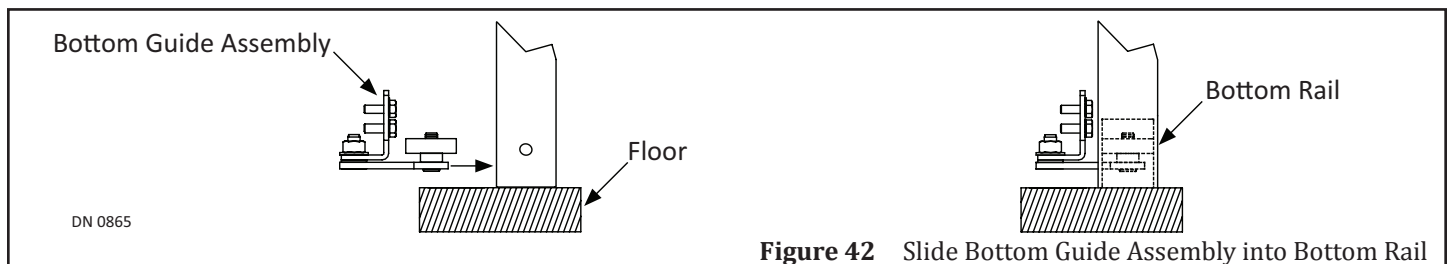


## SECTION 12.2: Install the Bottom Guide Assembly

1. Go to the bottom of Strike Stile. Remove the Bottom Guide Cover Plate.



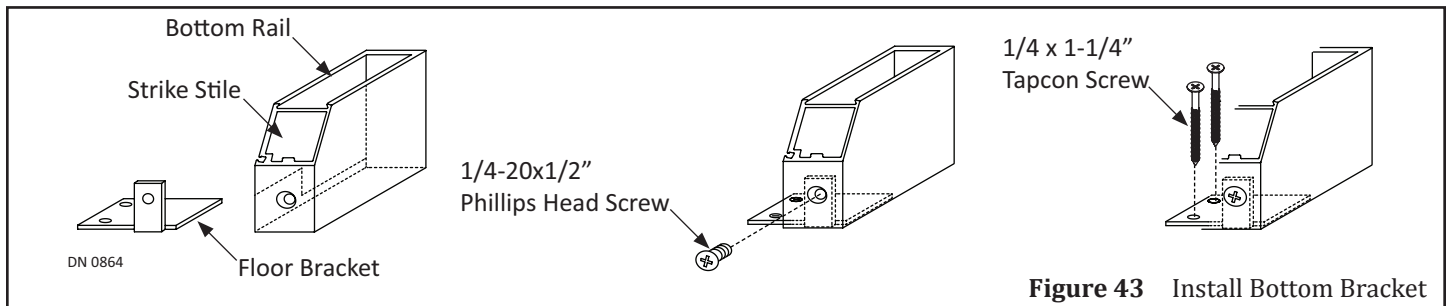
2. Install the Bottom Guide Double Roller Assembly by sliding (2) rollers into the Bottom Rail so the Bracket sticks out from underneath (in direction of where the Slide door is to be installed).
3. Use the Bracket to slide the Bottom Guide Double Roller Assembly towards the Pivot Stile.
4. Replace the Cover Plate.



## SECTION 12.3: Install the Floor Bracket

1. Go to the bottom of the Strike Stile. Insert the Floor Bracket inside the Bottom Rail so the bottom plate portion sticks out from underneath (in direction of where the Slide door is to be installed).
2. Close the Slide Door. Adjust the Fixed Panel for weathering gap. Adjust the Slide Door for rocking.
3. Secure the upper plate portion of the Floor Bracket to the side of Strike Stile with (1) 1/4-20 x 1/2 inch Phillips Head screw.
4. Use the Floor Bracket as a template to drill (2) screw holes for #14 x 1-1/4 inch Flathead Tapcon screws.

- Secure the Floor Bracket to the floor with (2) #14 x 1-1/4 inch Flathead Tapcon screws. Replace the Cover Plate.



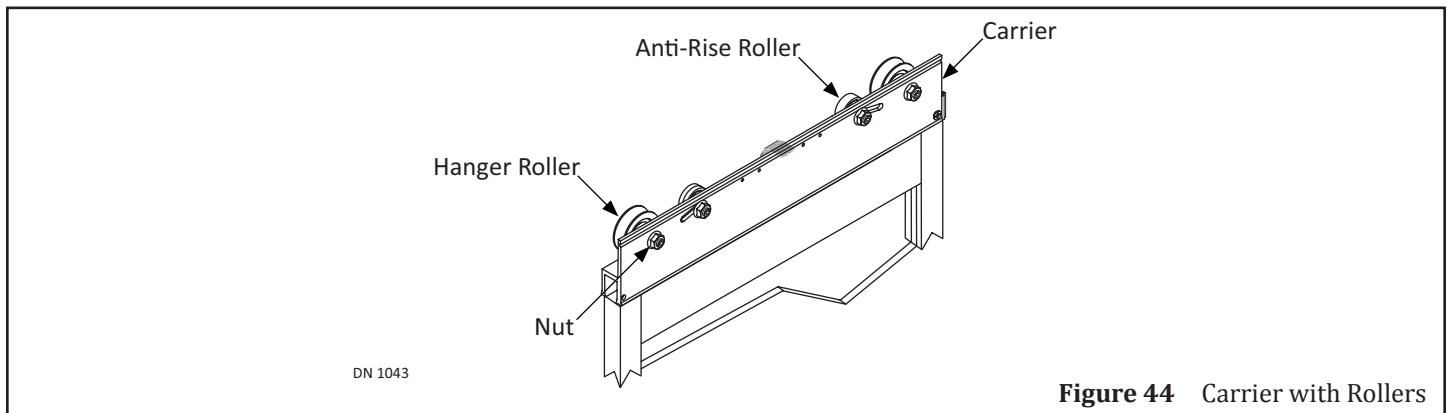
**Figure 43** Install Bottom Bracket

## CHAPTER 13: INSTALL THE SLIDE DOOR

### SECTION 13.1: Secure Slide Door to Belt Clips

**CAUTION** Do not test Breakout until all adjustments are made and doors are secured.

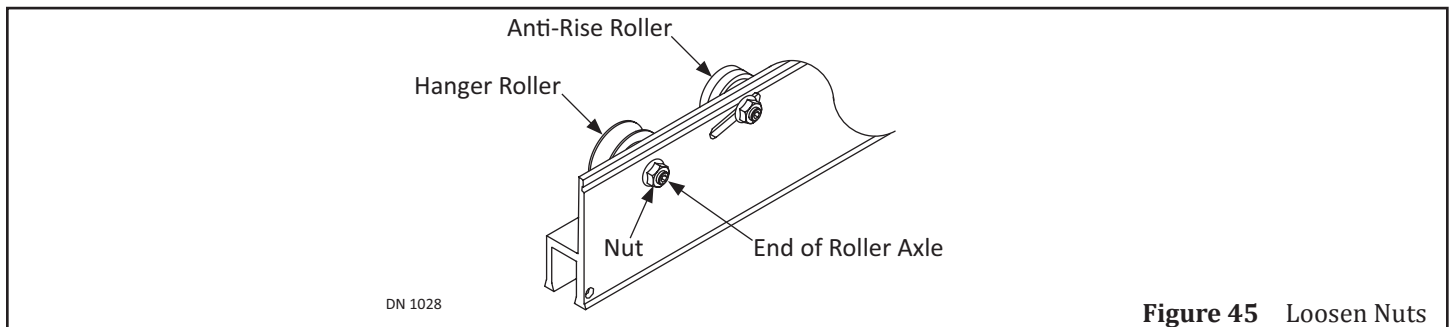
- Cover the Sidelite Panel with cardboard on the side that will face the Slide door.



**Figure 44** Carrier with Rollers

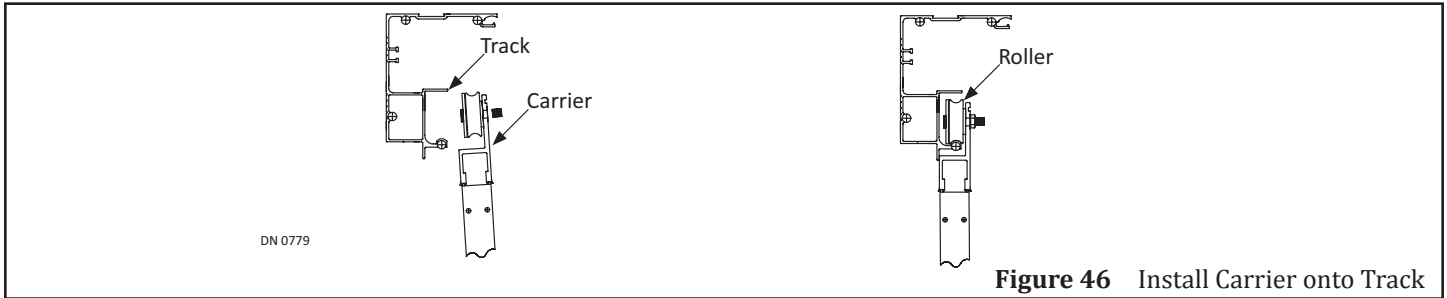
**CAUTION** Do not rotate the Roller Axle counter-clockwise. Doing so will unthread the Axle from the Roller Assembly.

- Go to the Carrier on top of Slide Door. Loosen (1) 7/16-20 Whiz Lock Nut on each Roller by inserting (1) 7/32" Allen wrench into the exposed end of a Roller Axle. Hold the 7/32 inch Allen wrench in place to keep the Roller Axle stationary. At the same time, loosen (1) 7/16-20 Whiz Lock nut with a 15/16 inch Open End Wrench.



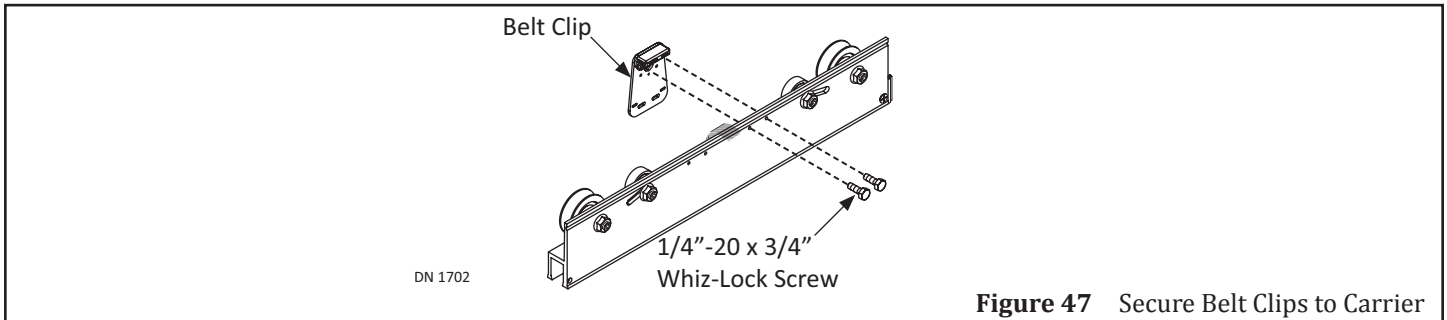
**Figure 45** Loosen Nuts

- To make it easier for rollers to “catch onto the track”, slightly tilt and lift the Slide Door into the Header, and onto the Track



**Figure 46** Install Carrier onto Track

- Secure the Belt Clip to the Carrier with (2) 1/4-20 x 3/4 inch Whiz-Lock screws.



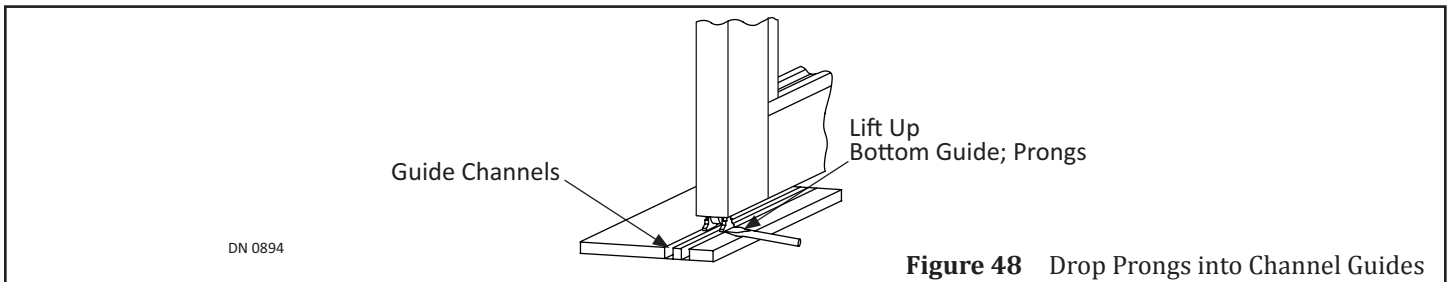
**Figure 47** Secure Belt Clips to Carrier

## SECTION 13.2: Install Bottom Guides

### 13.2.1 Insert Bottom Guide into the Threshold (Full Open Sidelite)

*FOR FIXED SIDELITE UNITS SKIP TO SUBSUBSECTION 13.2.2*

- Locate the Bottom Guide Assembly that was preinstalled inside the Slide Door Strike Stile.
- Lift up the Prongs until the Bottom Guide is directly above the Guide Channels. Drop the Prongs into the Guide Channels.

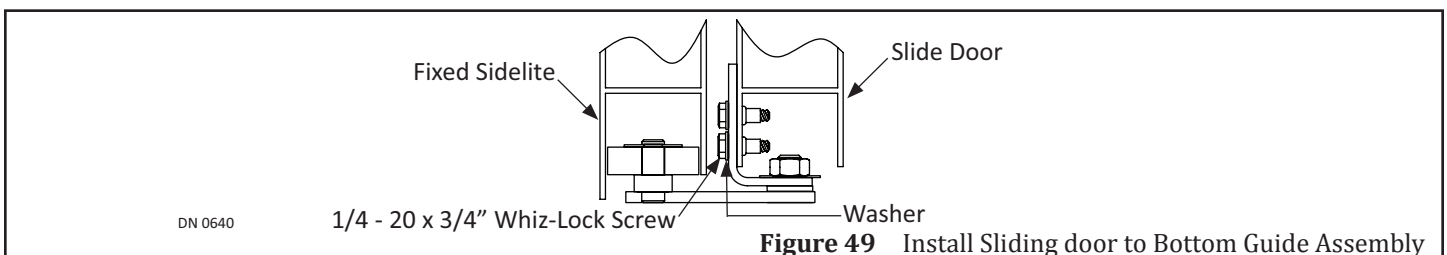


**Figure 48** Drop Prongs into Channel Guides

### 13.2.2 Secure the Bottom Guide Double Roller Assembly to the Slide Door (Fixed Sidelite)

*FOR FULL OPEN UNITS SKIP TO SECTION 13.3*

- Go to the Bottom Rail on the Fixed Sidelite. Locate the Bracket that should be sticking out from underneath.
- Slide the Pivot Stile (on Slide Door) onto the Bracket.
- Support the weight of the Fixed Sidelite. Breakout the Slide door to Full Open position.
- Secure the Bracket to the Pivot Stile with (2) 1/4 - 20 x 3/4 inch Whiz-Lock screws.

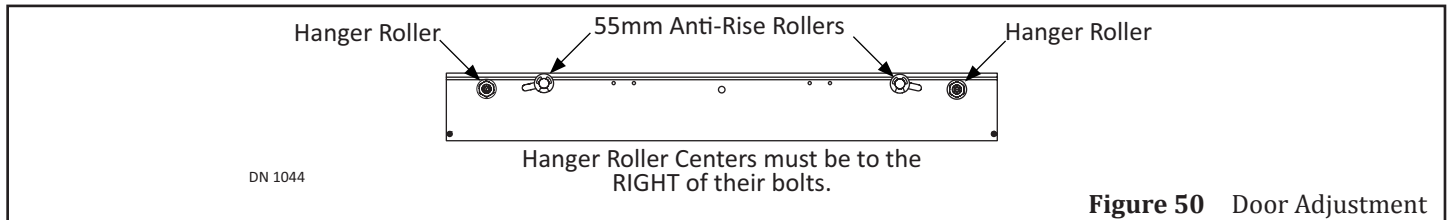


**Figure 49** Install Sliding door to Bottom Guide Assembly

### SECTION 13.3: Adjust Rollers

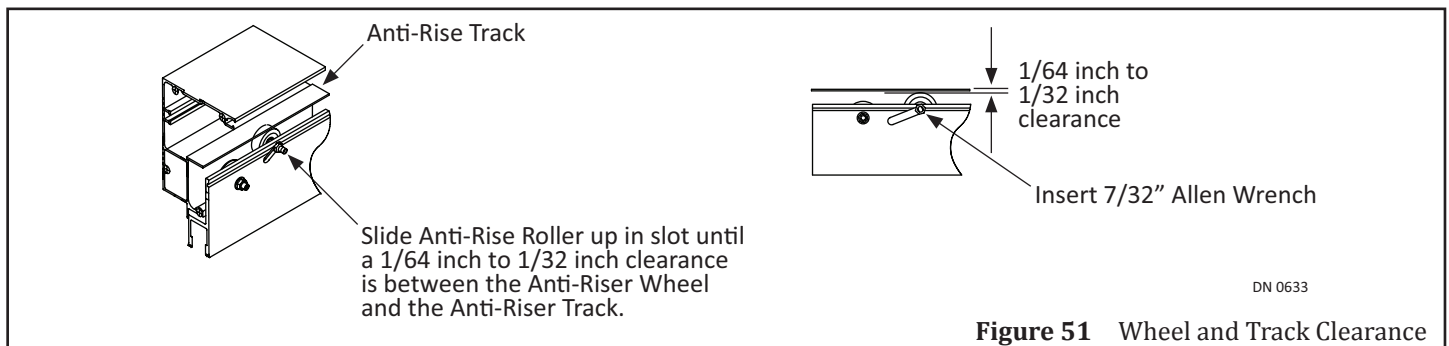
#### 13.3.1 Hanger Rollers

1. Raise or lower the Slide door by turning the Axle clockwise with a 15/16" Open End Wrench.
  - a. The appropriate gap between the Bottom Rail and floor is between 11/16 inch to 15/16 inch; with the nominal gap being 7/8 inch.
2. Ensure the Leading Edge of the Slide door and Header are parallel.



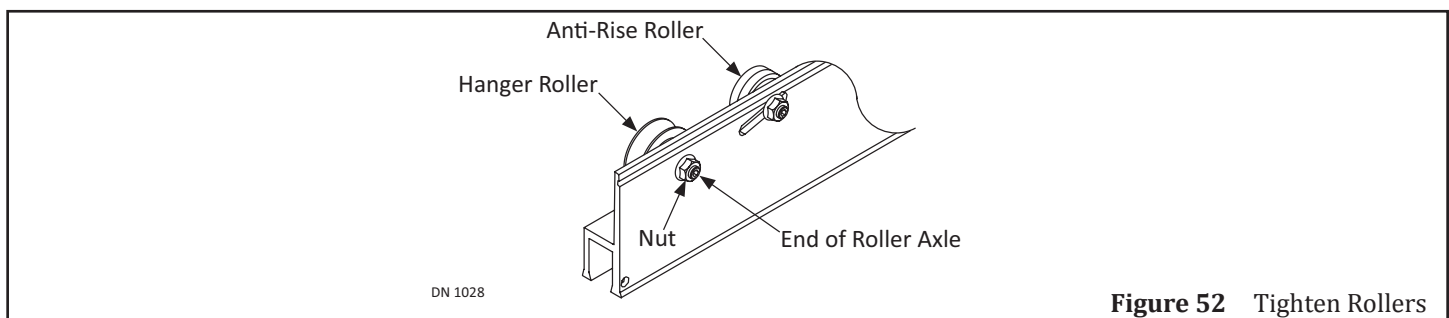
#### 13.3.2 Anti Rise Rollers

1. Loosen (2) Anti-Rise Rollers located towards the middle of the Carrier.
2. Slide the Anti-Rise Roller up or down within the slot until there is 1/64 inch to 1/32 inch gap between the Roller Wheel and the Top Track. The Gap should be about the same thickness as a credit card.



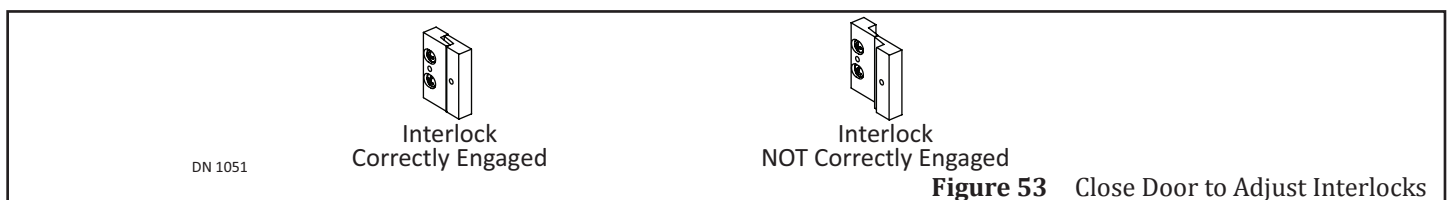
#### 13.3.3 Tighten Rollers

1. Hold the 7/32 inch Allen wrench in place to keep the Roller Axle stationary. At the same time, tighten each (1) 7/16-20 Whiz Lock nut with a 15/16 inch Open End Wrench.



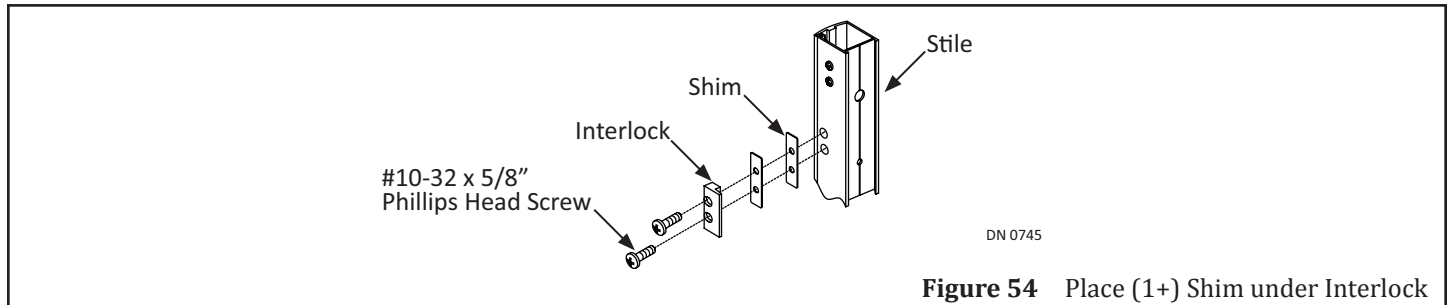
### SECTION 13.4: Adjust the Interlocks

1. Manually close the Slide Door. Ensure the Interlocks are properly engaged. If not, adjust the Interlocks.



*Note: Adjust Interlocks so there is no contact between the Rail and the Interlock. Any contact will cause the Slide Door to bind.*

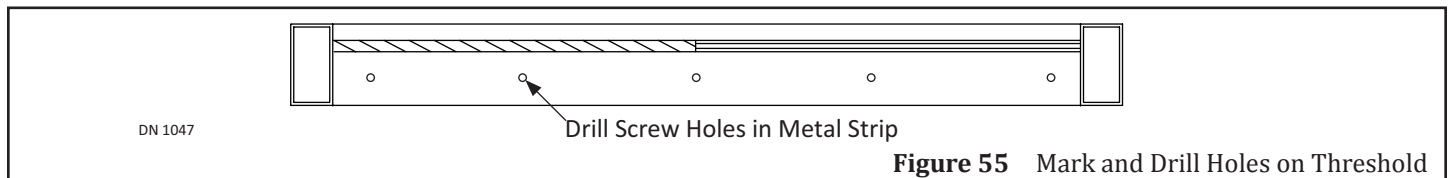
2. Obtain (1) parts bag containing (4) Shims that was taped to the Slide Door at the NABCO factory.
3. Remove the Interlock on the Sidelite, Strike Stile.
4. Place (1+) shims directly underneath the Interlock. Line up the screw holes.
5. Secure the Interlock assembly to the Sidelite Strike Stile with (2) #10-32 x 5/8 inch Phillips Head Screws.
  - a. Loosely tighten the mounting screws just enough to keep the Interlock assembly from falling out of place.



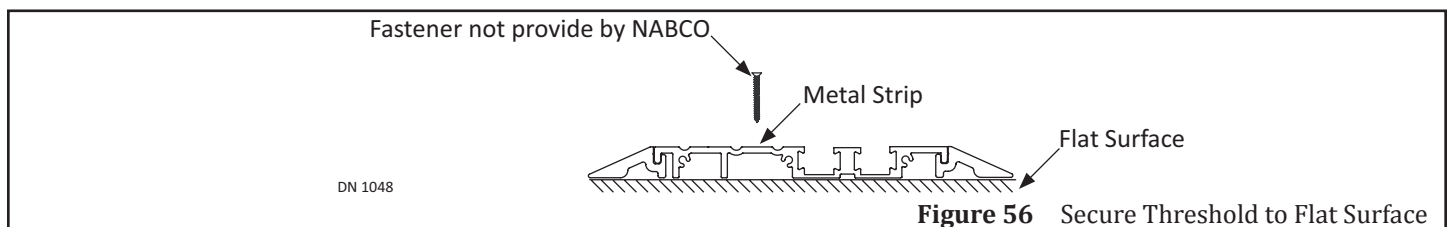
6. Go to the Interlock located on the Pivot Stile of the Slide Door. Loosen the mounting screws.
7. Manually close the Slide Door. The loosened Interlocks will automatically adjust to proper position.
8. Lock the Interlock and 1+ Shim in place by tightening the #10-32 x 5/8 inch Phillips Head Screws.

## CHAPTER 14: PERMANENTLY INSTALL THE THRESHOLD

1. Go to each end of Threshold. Mark (1) drill hole approximately 4" from each edge.
2. Mark remaining drill holes to be evenly spaced.



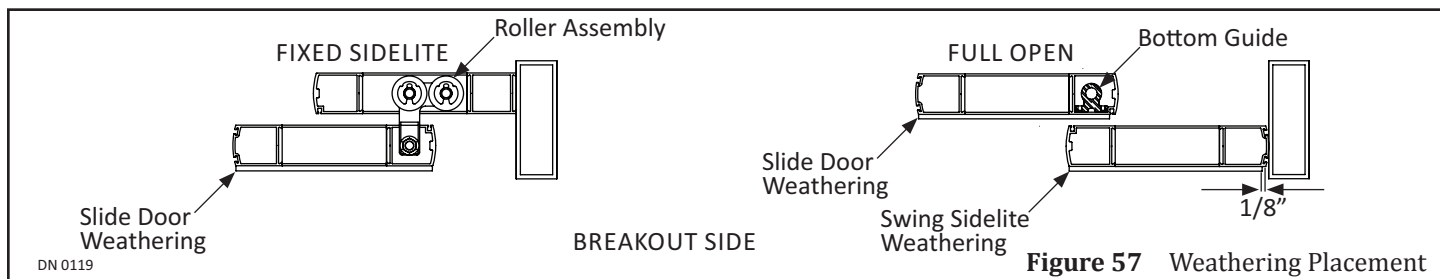
3. With a 1/4 inch masonry drill bit, drill through the Threshold and into the floor no less than 1-1/2 inch deep.
4. Secure the Threshold with Fasteners not provided by NABCO.



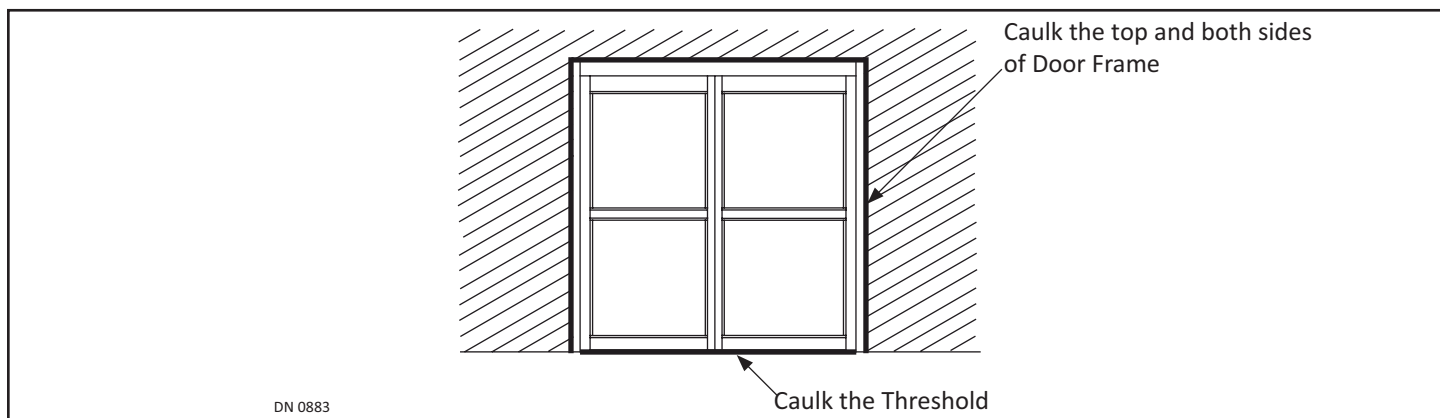
### SECTION 14.1: Threshold Maintenance

1. Check for wear of Bottom Guide Roller and Bumpers inserted within Threshold Channels.
2. Listen for squeaking/grinding noise.
3. Look for dirt/debris/excessive build-up. If dirt/debris/excessive build-up is found.
  1. Vacuum to remove loose material.
  2. Wipe off the Threshold.
  3. Use (1) slotted Screw Driver to remove dirt/debris and/or excessive build-up located within Threshold Channels.
4. Inspect weekly and daily during winter as snow and ice can build up.

## CHAPTER 15: INSTALL WEATHERING



1. Install Brush by sliding it into the Brush Holder:
  - ▶ Fixed Sidelite
    1. Secure the Brush Holder against the Bottom Rail of Slide door with (3) #6 x 1/2 inch self tapping screws.
  - ▶ Full Open
    1. Secure the Brush Holder against the Bottom Rail of Swing Sidelite with (3) #6 x 1/2 inch self tapping screws.
      - a. It is recommended to leave at least a 1/8 inch gap between the Edge of the Pivot Stile and the Brush Holder, while allowing 1/8 inch Vinyl to extend past the Brush Holder so the gap is filled.
    2. Breakout the Swing Sidelite. Secure the Brush Holder against the Bottom Rail of Slide door with (3) #6 x 1/2 inch self tapping screws.
2. Ensure the entire Door Frame is properly secured to the Rough Opening.
3. Apply caulking bead between the Door Frame and Rough Opening (inside and outside).
4. Apply caulking bead to the Threshold at the bottom of Door Frame.



## CHAPTER 16: INSTALL THE GLASS STOPS

### WARNING

**Glazer must be fully trained and qualified. Failure to do so may result in bodily injury, or property damage.**

*Note: Ensure the installation area is free of debris and/or sharp objects. Failure to do so may damage the glass or contaminate the glazing process.*

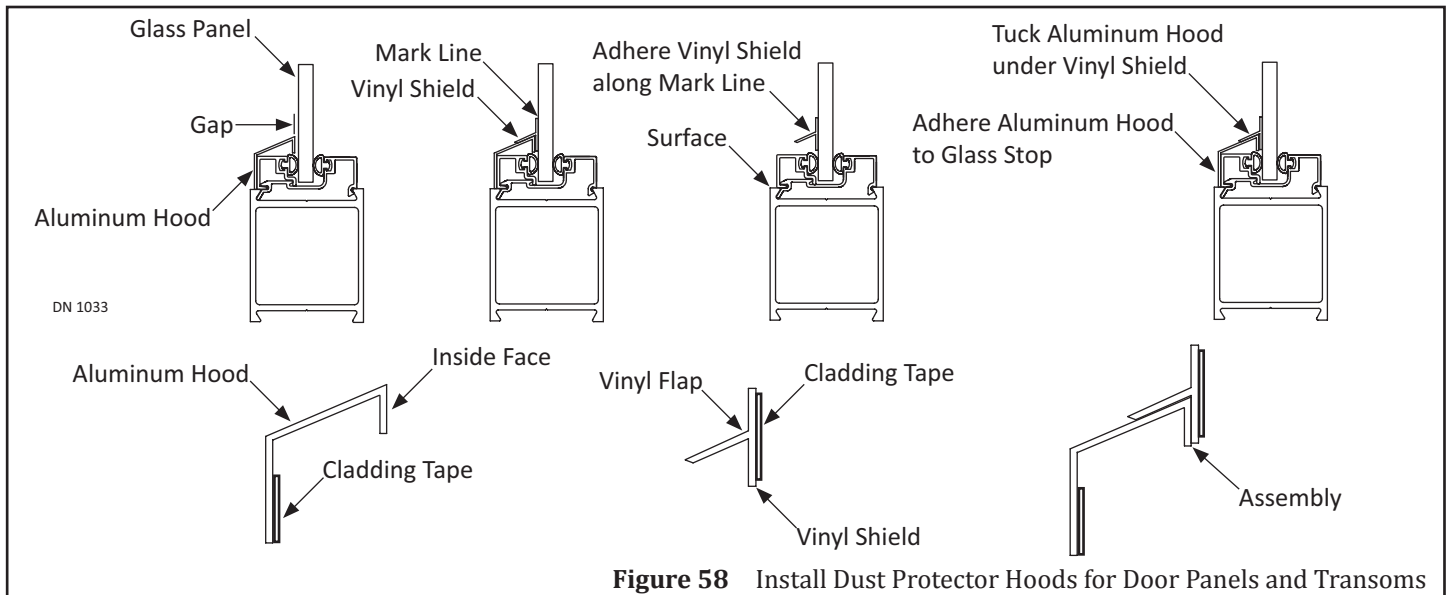
### SECTION 16.1: Dust Protector Hoods (Clean Room)

*Note: All Aluminum Hoods and Vinyl Shields are installed for Clean Room Slide Door Units only and are not manufactured by NABCO. Please call Customer Service for replacement parts at 1-888-679-3319.*

*Note: Aluminum Hoods are installed at the bottom of each Door panel and Transom.*

1. Install Glass Stops according to Subsection SECTION 16.2 and Subsection SECTION 16.3.
2. Place each Aluminum Hood over each Glass Stop so the bottom edge of the Aluminum Hood is resting on the surface.
  - a. Do Not remove protective paper from double sided Cladding Tape at this time.
3. Insert the bottom half of each Vinyl Strip inside the gap that is located behind the Aluminum Hood. The Vinyl Flap must be laying on top the Aluminum Hood.

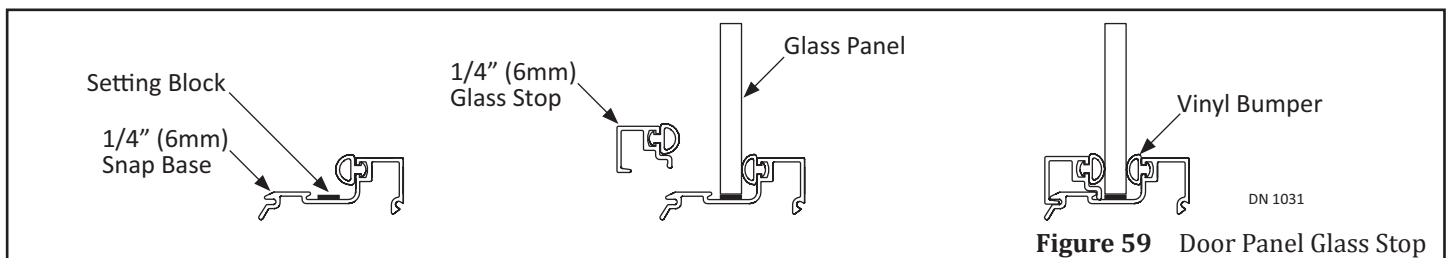
4. Hold the assembly in place while it is pressed up against the Glass Panel. Make a temporary Mark along the full length of the Vinyl Strip.
  - a. Ensure the bottom edge of the Aluminum Hood is still resting on the surface for proper alignment.
5. Remove the assembly and the protective paper to expose the Cladding Tape from the Vinyl Shield.
6. Align the Vinyl Strip to the temporary Mark and adhere to the Glass Panel.
7. Remove the protective paper to expose the Cladding Tape from the Aluminum Hood.
  1. Align the Aluminum Hood with the Vinyl Shield.
  2. Adhere the Aluminum Hood to the Glass Stop and tuck it under the Vinyl Flap.



## SECTION 16.2: Door Panel

*Note: The Snap Base and Vinyl Seals/Gaskets are preinstalled at the NABCO Factory.*

1. Ensure the Snap Base is free of debris and/or sharp objects.
2. Install the Setting Blocks (not provided by NABCO) and Glass Panel.
3. Snap the Glass Stop into the Snap Base.



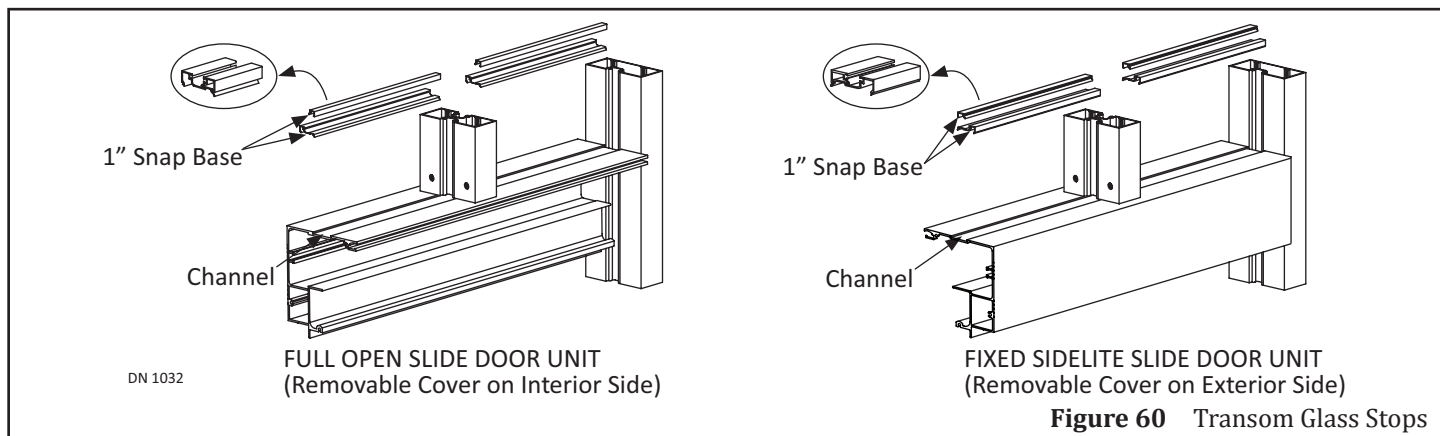
## SECTION 16.3: Transom (Top of Header)

*Note: The Snap Base is made up of (2) portions (Top and Bottom).*

1. Go to the top of Header. Insert the Snap Base Bottom, inside the Channel:
  - ▶ Full Open Doors
    - So the tall back faces the Exterior Side of the Building.
  - ▶ Fixed Sidelite Doors
    - So the tall back faces the Interior Side of the Building.
2. Insert (1) Glass Stop into each Snap Base Bottom.
3. Install the Setting Blocks (not provided by NABCO) and Glass Panel.

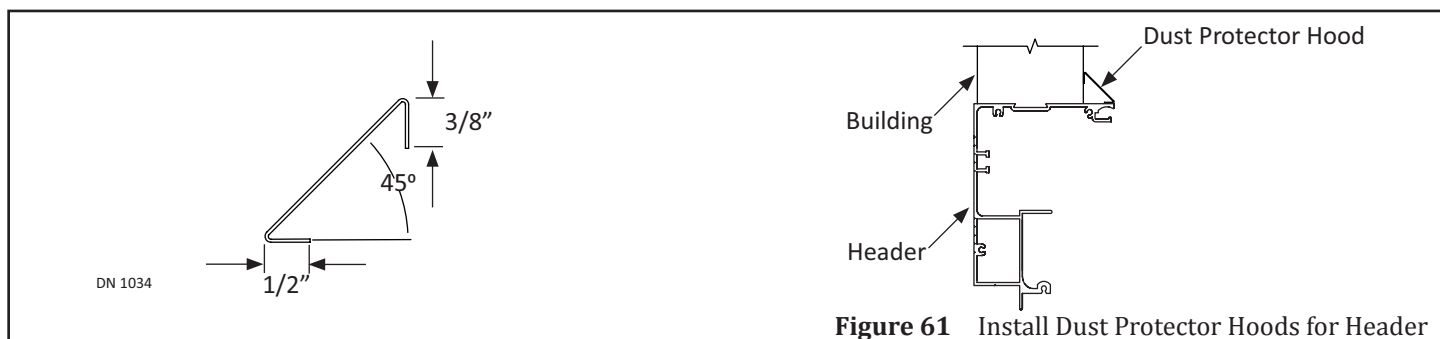


4. Insert (1) Glass Stop into each Snap Base Top.
5. Insert each Top portion of the Snap Base into the Bottom portion.



#### SECTION 16.4: Header

1. Go to the (Removable Cover) side of Header.
2. Position the Stainless Steel Hood on top of the Header so the (turned under) bottom lip is resting on the Header surface and the inside face is pressed up against the building.
  - a. Ensure proper length and fit is correct.
3. Remove all protective paper to expose the Cladding tape.
4. Adhere the Stainless Steel Hood to the Header.



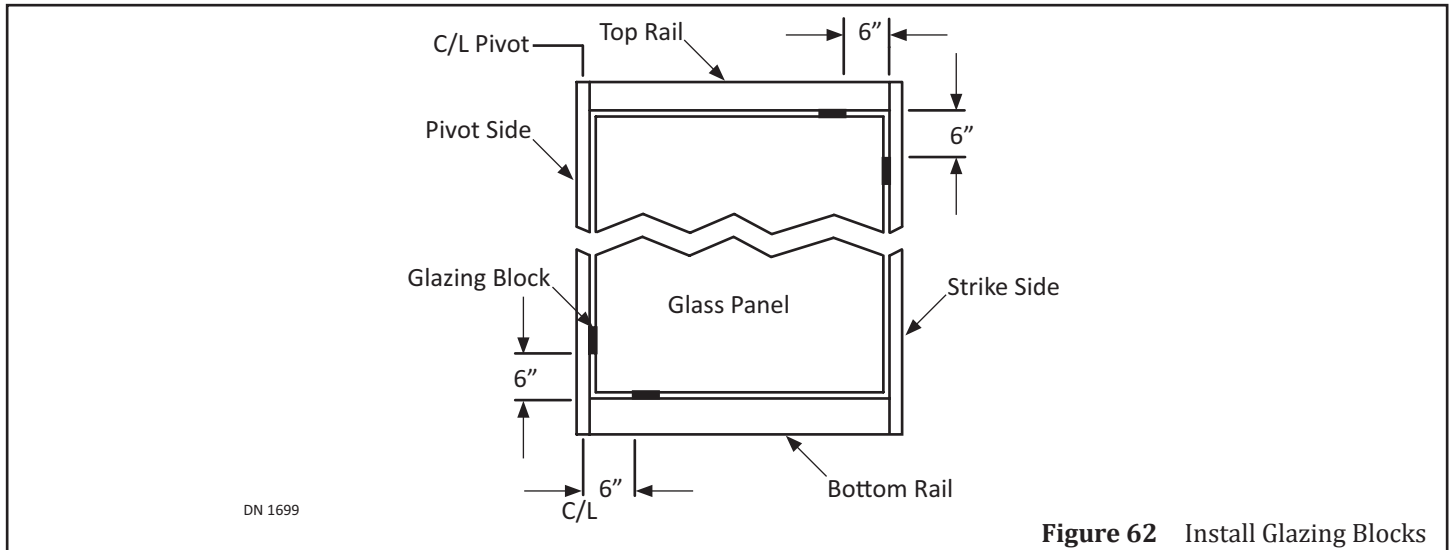
### CHAPTER 17: GLAZING (HEAVY/WIDE DOORS)

In accordance with standard glazing practices, Nabco recommends Cross-Blocking for maintaining square with heavy glass or wide Door Panels (Fixed and Full Open). Cross-Blocking helps direct glass weight away from the strike edge of the door, to prevent sagging and possibly dragging on the floor or threshold.

If the Door Panel is not square and sags at the lead edge, increase the thickness of the Glazing Block (not provided by NABCO). Increasing the thickness of the Glazing Block, raises the Door Panel.

*Note: Only place Glazing Blocks in the designated marked spots.*

1. Go to the STRIKE side of door panel at the TOP.
  1. Measure (6) inches from the Bottom edge of Top Rail, towards the Pivot side of Door Panel. Mark that spot.
  2. Measure (6) inches from the Top Corner of the Strike Edge down to the bottom of the Door Panel. Mark that spot.
2. Go to the PIVOT side of door panel at the BOTTOM.
  1. Measure (6) inches from the Top edge of Bottom Rail, up to the top of Door Panel. Mark that spot.
  2. Measure (6) inches from the Center of Pivot, towards the Strike side of Door Panel. Mark that spot.
3. Place (1) Glazing Block (not provided by NABCO) between the Glass and Door Frame, at marked spots.
  - a. It may be necessary to use more than (1) Glazing Block.

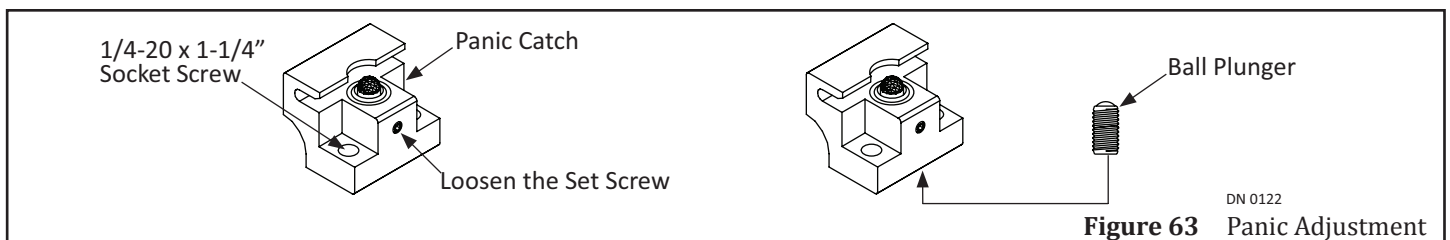


**Figure 62** Install Glazing Blocks

## CHAPTER 18: ADJUSTMENTS

### SECTION 18.1: Adjust the Ball Plunger

1. Breakout the Slide door. Go inside the Top Rail (closest to the Strike Stile). Remove the Panic Catch Assembly.

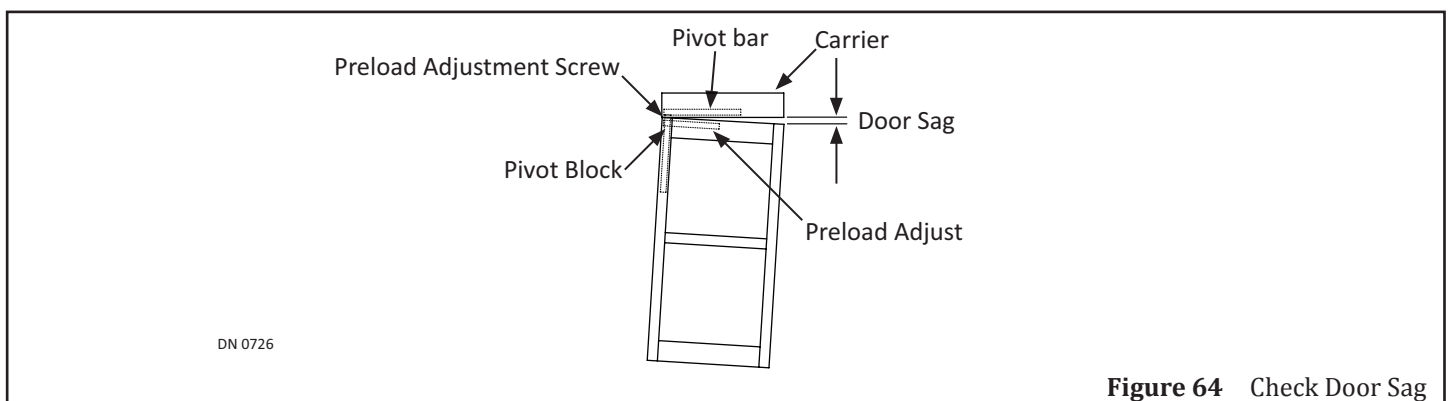


**Figure 63** Panic Adjustment

2. Loosen the Set screw that is located in front of the Panic Catch.
3. Go underneath the Panic Catch. Raise or lower the Ball Plunger to adjust the engagement.
  - a. The Ball Plunger must be adjusted for proper breakout resistance to meet ANSI A156.10 code and/or local code.
  - b. Use minimal engagement if Panic Hardware is used.
4. Tighten the Set screw. Secure the Panic Catch Assembly inside the Top Rail with (2) 1/4-20 x 1-1/4 inch Socket Head screws.

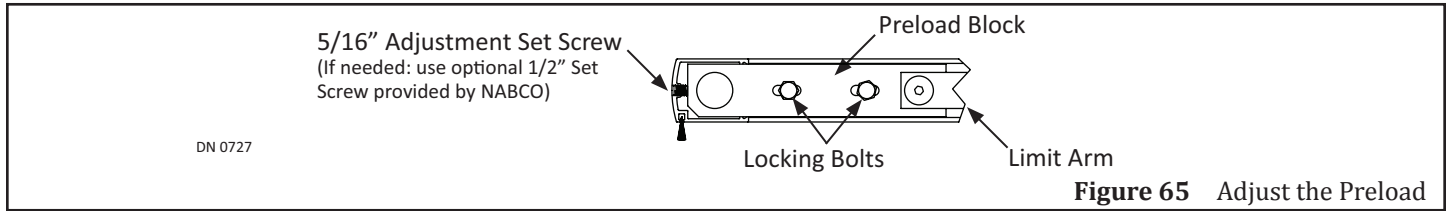
### SECTION 18.2: Adjust Preload

1. Support the weight of Slide Door, then Breakout Slide door approximately 5 degrees (just enough to expose the Preload Adjustment Screw located on back edge of door). Do not let Slide door push up against any other Door Panel.
2. Check for door sag. The Slide door should latch without having to be manually lifted.



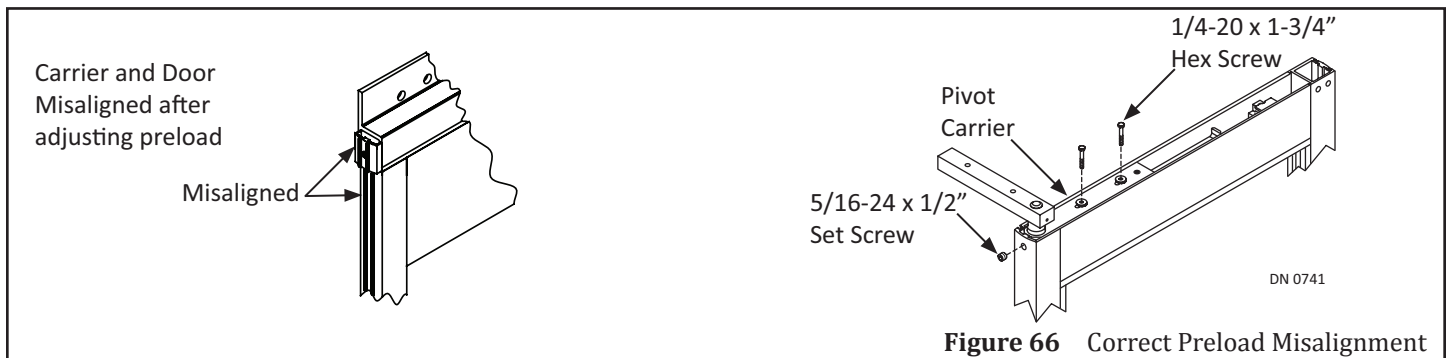
**Figure 64** Check Door Sag

3. Go to the Preload Block located inside Top Rail. Loosen (2) Locking Bolts.
4. Go to the back edge of Pivot Stile. Reduce Door sag by tightening the 5/8 inch Set Screw with an 7/32 inch Allen Wrench. Do Not allow the Adjustment Set Screw to protrude more than 7/32 inch past the end of stile.
  - a. If deemed necessary, substitute the 5/8 inch Set Screw with the optional 1/2 inch Set Screw supplied by NABCO.

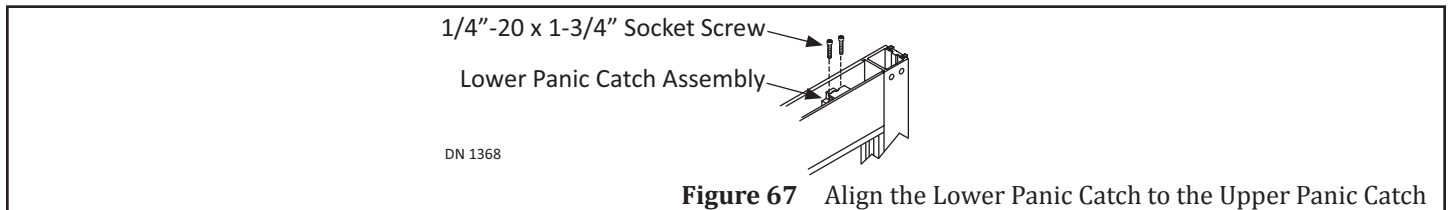


**SECTION 18.3: Correct Preload Misalignment**

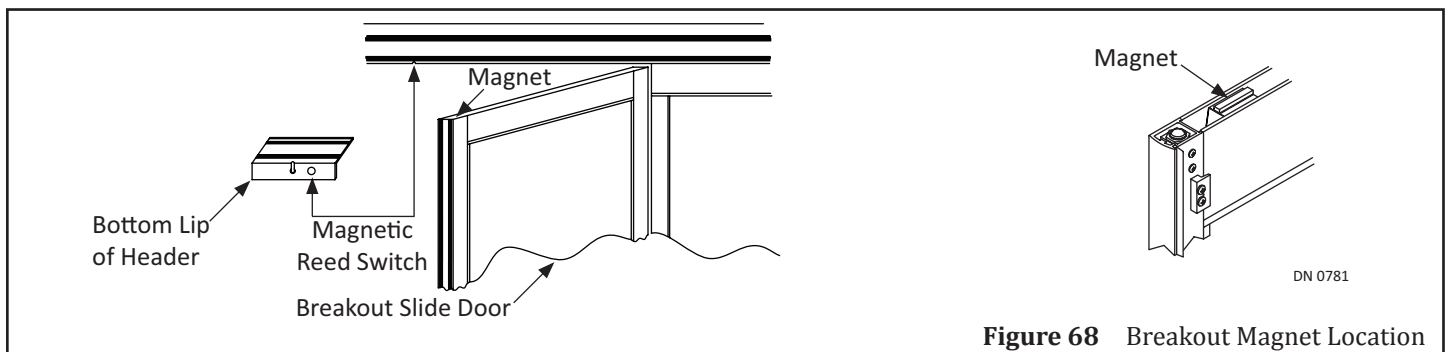
1. Break Open the Slide Door. Locate the Carrier Pivot Assembly inside the Top Door Web.
2. Loosen the 5/16-24 x 1/2 Set Screw located on the Pivot Stile at the Top.
3. Loosen (2) 1/4-20 x 1.75 Hex Screws used to secure the Carrier Pivot Assembly to the Top Door Web.
4. Slide the Carrier Bar to the left or right, until the Slide Door is aligned to the Carrier. Tighten all screws.



5. Verify that the Lower Panic Catch inside the Door Web is still aligned to the Upper Panic Catch inside the Carrier. If an adjustment is necessary:
  1. Go to the Lower Panic Catch. Loosen (2) 1/4-20 X 1-1/4 inch Socket Screws used to to secure the Lower Panic Catch to the Door Web.
  2. Slide the Lower Panic Catch to the right or to the left until it is aligned to the Upper Panic Catch. Tighten Socket Screws.



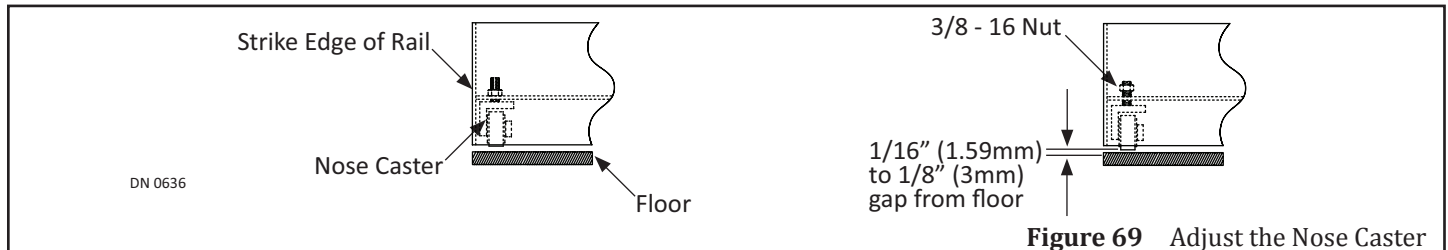
**SECTION 18.4: Adjust the Breakout Magnet**



1. The Magnet is secured to the Limit Arm Bracket that can slide to the Left and Right. Slide the Breakout Magnet to the Left or to the Right until it is aligned with the Magnetic Reed Switch.
  - a. The Magnetic Reed Switch is a 3/8 inch diameter black circle located on the Bottom Lip of Header.

### SECTION 18.5: Units 54 Inches Wide (or greater) and/or over 200 Pounds

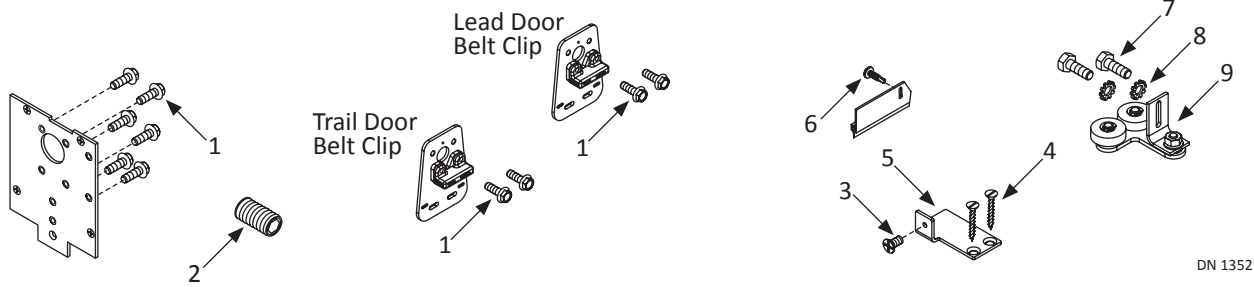
1. Go to the Bottom Rail. Remove (1) End Cap.
2. Break Open the Slide door. Locate the Nose Caster that was pre-installed within the Strike Stile.



3. Loosen the #8-32 Set Screw. Position the Wheel so it is perpendicular to the Bottom Rail. Retighten the #8-32 Set Screw.
4. Fully close the Slide door. Ensure the Nose Caster does not hit or scrape the floor. Reinstall the End Cap.

### SERVICE PARTS: LH KIT P/N M-01256; RH KIT P/N M-01253

Fixed Sidelite Slide Doors



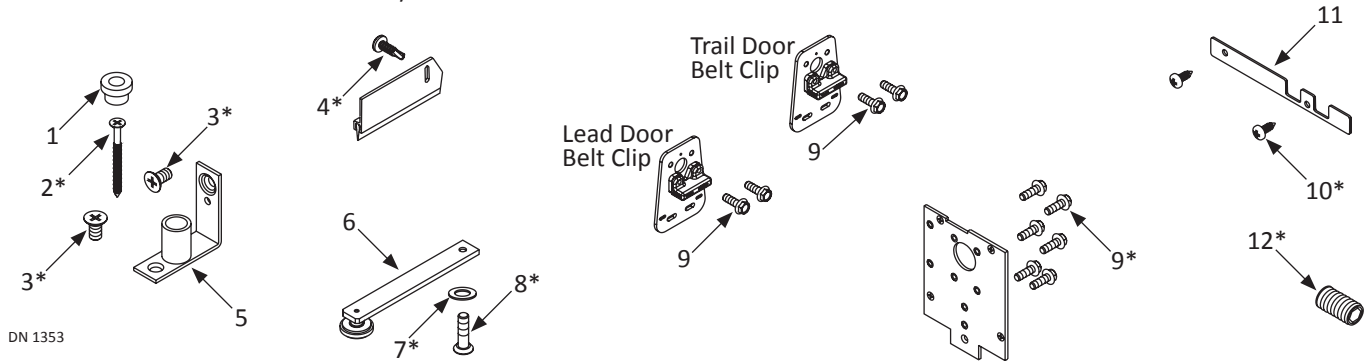
#### Fixed Sidelite Parts Kit: LH P/N M-01256 and RH P/N M-01253

Item	Part	Note	Description	QTY	Used To
1	T-00010		HHCS,1/4-20x0.750L.,WHIZLOCK,ZINC	2	Secure Belt Bracket to Carrier on top of Slide Door
2	T-00261		SHSS,5/16-24x0.500L.,CUP PT.	12	Secure Header to Jamb Tubes
3	T-00055	Zinc	FHMS,1/4-20x0.500L.,PHIL,ZINC	1	Adjust PreLoad on Slide Door (at top of Strike Stile)
	T-00057	Black Zinc	FHMS,1/4-20x0.500L.,PHIL,BLK ZN	1	Secure Floor Bracket (M-00717) to Strike Stile
4	T-00062		FHSMS,1/4x1.250L.,PHIL,TAPCON,BLUE	2	Secure Floor Bracket (M-00717) to Floor
5	M-00717		FLOOR BRKT, RHFS	2	Secure Fixed Sidelite to Floor
6	T-00222	Zinc	PHSMS,6x0.500L.,PHIL,TEKS,ZINC	4	Secure Brush Holder to Door Panel(s)
	T-00260	Black Zinc	PHSMS,6x0.500L. PHIL,TEKS BLK ZN		
7	T-00064		HHCS,1/4-20x0.750L.,ZINC	2	Secure Bracket portion of the BTM Guide DBL Roller to
8	T-00087		WASHER, LOCK, EXT, 1/4 ID, ZINC	2	Pivot Stile on Slide Door
9	A-00181	RH	BTM GUIDE DOUBLE ROLLER ASM, RH	1	Allow Slide Door to Open/Close. Roller portion is inserted
	A-00183	LH	BTM GUIDE DOUBLE ROLLER ASM, LH		into Bottom of Strike Stile on Fixed Sidelite.

**SERVICE PARTS: FULL OPEN, 1175, NH, MED STILE: P/N A-00405**

\* Sold in Parts Bag NH, Med Stile: P/N M-01262

Non-Handed: P/N M-01260



**Full Open 1175, Non-Handed, Medium Stile, Service Parts Kit**

Item	Part	Note	Description	QTY	Used To
1	M-00606		BUSHING, BOTTOM PIVOT, SWING PANEL	1	Protect inside of Barrel from dust/dirt
2	T-00008		FHMS,1/4x2.750L.,PHIL,TAPCON,BLUE	1	Secure Bottom Pivot (M-00611) to floor
3	T-00007		FHMS,1/4-20x0.500L.,PHIL,UNDR CUT,F-PT,ZN	1	Secure Bottom Pivot (M-00611) to floor.
				1	Secure Bottom Pivot (M-00611) to Pivot Jamb Tube.
4	T-00222	Zinc	PHSMS,6x0.500L.,PHIL,TEKS,ZINC	8	Secure Brush Holder to Door Panels.
	T-00260	Black Zinc	PHSMS,6x0.500L. PHIL,TEKS BLK ZN		
5	M-00611		FLOOR PIVOT BRACKET	1	Allow Sidelite to swing Open and Closed
6	A-00060	Narrow	LIMIT ARM,SWING PANEL,ASM.NRW.STILE	1	Allow Sidelite to swing Open and Closed
	A-00406	Medium	LIMIT ARM, SWING PANEL, MED STILE	1	
7	T-00069		WASHER,.255 ID,.900 OD,.125 THK,NYLON	1	Keep Screw from digging into face of Limit Arm
8	T-00083		FHMS,1/4-20x1.000L.,PHIL,UCUT,VIBRATITE	1	Secure Limit Arm to bottom of Header
9	T-00010		HHCS,1/4-20x0.750L.,WHIZLOCK,ZINC	2	Secure Belt Bracket to Carrier on top of Slide Door
				12	Secure Header to Jamb Tubes
10	T-00009		PHSMS,6x0.375L,PHIL,TYPE AB,18-8 SS	2	Secure Threshold End Cap to the Threshold
11	M-00442		END CAP	1	Protect raw end of Threshold from dust/dirt
12	T-00261		SHSS,5/16-24x0.500L.,CUP PT.	1	Adjust PreLoad (top of Strike Stile on Slide Door)



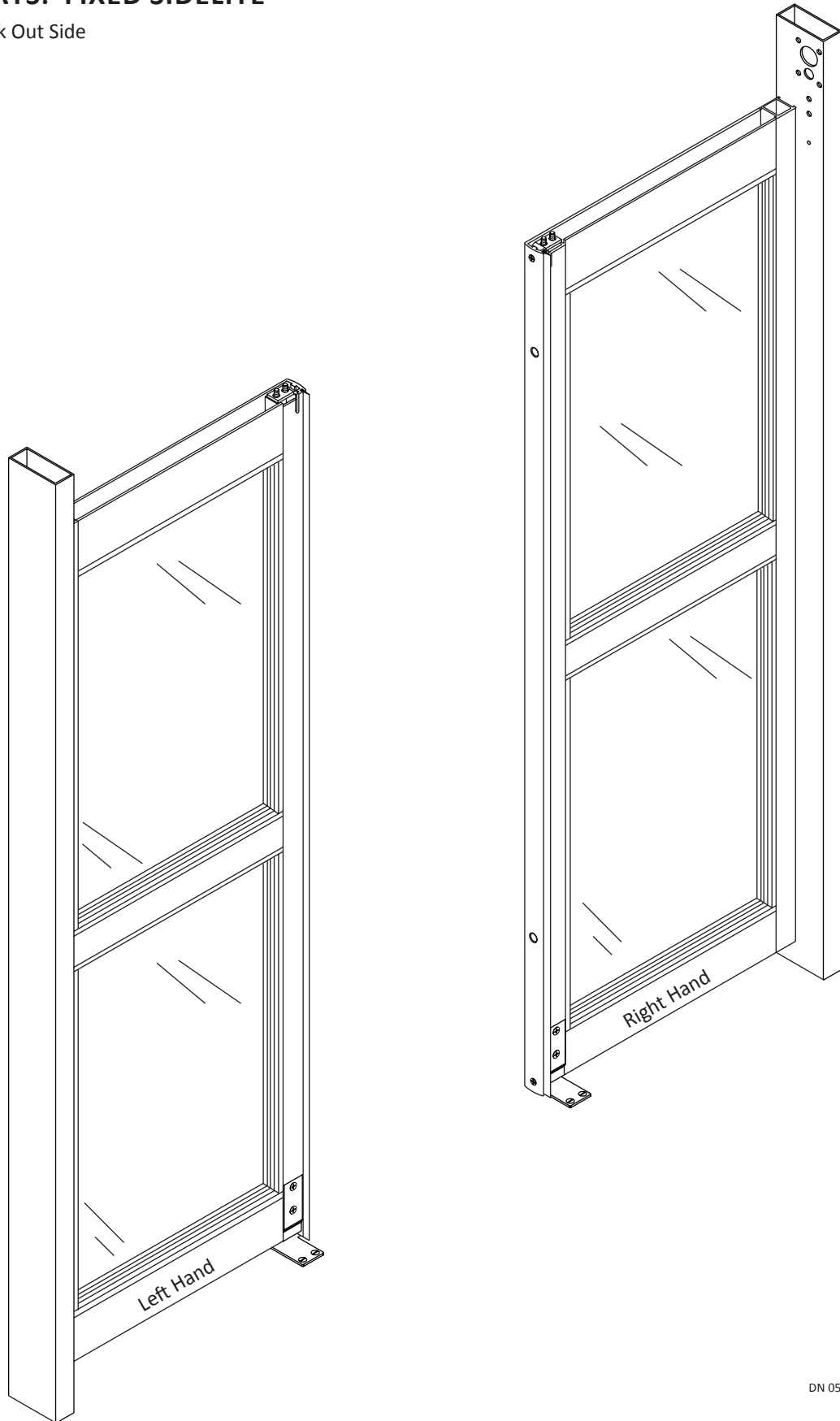
Header			
Item	Part	Finish/Sizes/Notes	Description
1	T-00061		FHMS,1/4-20x1.000L.,PHIL,TRI-LOBE,ZINC
2	T-00010		HHCS,1/4-20x0.750L.,WHIZLOCK,ZINC
3	M-60582	Clear	END CAP,ONE PIECE HEADER,RH,204
	M-70582	Dark Bronze	END CAP,ONE PIECE HEADER,RH,313
	M-60574	Clear	END CAP,ONE PIECE HEADER,LH,204
	M-70574	Dark Bronze	END CAP,ONE PIECE HEADER,LH,313
4	T-00015	Zinc	FHMS,1/4-20x0.750L.,PHIL,ZINC
	T-00017	Black Zinc	FHMS,1/4-20x0.750L.,PHIL,BLK ZN
5	A-00087		BUMPER,DOOR STOP
6	M-00502		BRACKET, IDLER/STOP
7	T-00096		"WASHER,INT,1/4;ZINC"
8	T-00002		NUT,HEX,1/4-20,ZINC
9	A-00128		DOOR STOP,ASM.
10	T-00058		NUT,SQ.,1/4-20,ZINC
11	T-00023		HHSMS,14X0.750L,TEKS,ZINC
12	M-00411		BRACKET,END CAP,HEADER
13	A-00717		POWER SUPPLY,27 VDC,100 WATT
14	M-01624		"BRACKET,POWER SUPPLY,1175"
15	T-00025		NUT,WHIZLOCK,3/8-16,ZINC
16	M-00396		BRACKET, MOUNTING, FRONT, DS150
17	V-00020		CONTROLLER, U30
18	M-00502		BRACKET, IDLER/STOP
19	T-00075		HHCS,3/8-16x2.750L.,FULL THREAD,ZINC
20	T-00067		NUT,HEX,JAM,3/8-16,ZINC
21	A-00078		BELT,DRIVE,IDLER SPROCKET,TENSIONER
22	M-00402		BRACKET,PULLEY SHAFT WELDMENT
23	M-00405		IDLER PULLEY ASSEMBLY
24	T-00049		RING,RETAINING,EXT,15mm SHAFT,HD
25	A-00042		ASM, IDLER PULLEY
26	M-00394		BRACKET,BELT CLIP MOUNTING
27	M-00392		SPACER,BELT CLIP
28	M-00391		BELT,CLIP
29	A-00759		BELT CLIP KIT
30	M-00395		OPERATOR,DS150
31	M-00397		BRACKET,MOUNTING , REAR, DS150
32	M-01491		BELT: .500 PITCH: "H" PROFILE
33	M-00499		WEATHERING:PILE:.27W X .25H:W/ ADH & FIN
34	T-00024		FHMS,8-32x0.625L.,PHIL,F-POINT,ZINC
	T-00179		"FHMS,8-32x0.625L.,PHIL,BK.ZC.TYPE F"
35	C-00067		NAMEPLATE,NABCO LOGO
36	V-00022		POWER SUPPLY, 24VDC, 0.5A



Header			
Item	Part	Finish/Sizes/Notes	Description
37	A-00342	Fail Safe	LOCK, ELECTRIC,FAIL SECURE,1175
	A-00341	Fail Secure	LOCK, ELECTRIC,FAIL SAFE,1175
38	A-00343		BRKT,BELT,ELECTRIC LOCK,RHFS,LHFO,BP
	A-00344		BRKT,BELT,ELECTRIC LOCK,LHFS,RHFO
39	A-00711		"KIT,HANDY TERMINAL"
40	V-00356		HANDY TERMINAL
41	M-01517	78.75 inches	"HARNESS,HANDY TERMINAL"
42	M-01410		CABLE,HANDY TERMINAL
43	M-00413		HARNESS,U30,CONTROL
44	A-00385		BREAKOUT JUMPER
45	A-00967	36 inches	HARNESS;EXTENSION;ROCKER SWITCH;36IN.
	A-00968	72 inches	HARNESS;EXTENSION;ROCKER SWITCH;72IN.
	A-00969	180 inches	HARNESS;EXTENSION;ROCKER SWITCH;180IN.
46	M-00412		HARNESS,U30,POWER
47	A-00709	Control Box and Cable	HOLDING BEAM SYSTEM
48	A-00129	Control Box	AMPLIFIER, PHOTOEYE, OPTEX ASSY
49	V-00073	(1) Emit and (1) Detect w/ExtCbl	HOLDING BEAM,PHOTO ELECTRIC,W/ EXT CABLE
50	M-00281		FOAM WEATHERSTRIPPING ADHESIVE BACKED
51	M-01156	48 inches	HARNESS,ACCUSENSOR EXTEN.48" INTERIOR
	M-01168	24 inches	HARNESS,ACCUSENSOR EXTEN.24" INTERIOR
52	M-01073	90 inches	HARNESS,BREAK OUT SWITCH,90IN EXTENTION
	M-01136	35 inches	HARNESS,BREAK OUT SWITCH,35IN EXTENSION
53	A-00758	Full Open Sidelite only	SWITCHBREAKOUT

### SERVICE PARTS: FIXED SIDELITE

Viewed from Break Out Side

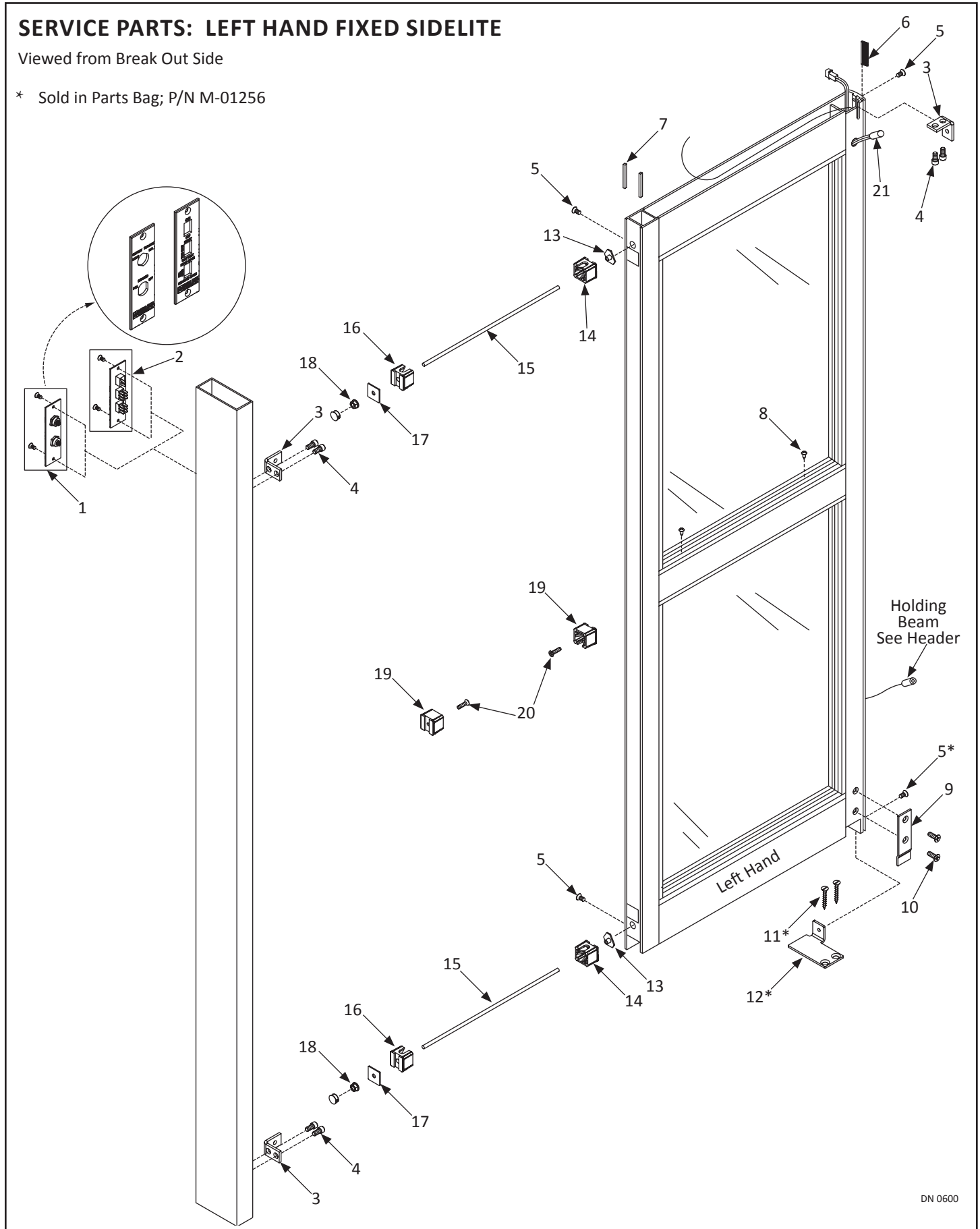


DN 0598

### SERVICE PARTS: LEFT HAND FIXED SIDELITE

Viewed from Break Out Side

\* Sold in Parts Bag; P/N M-01256

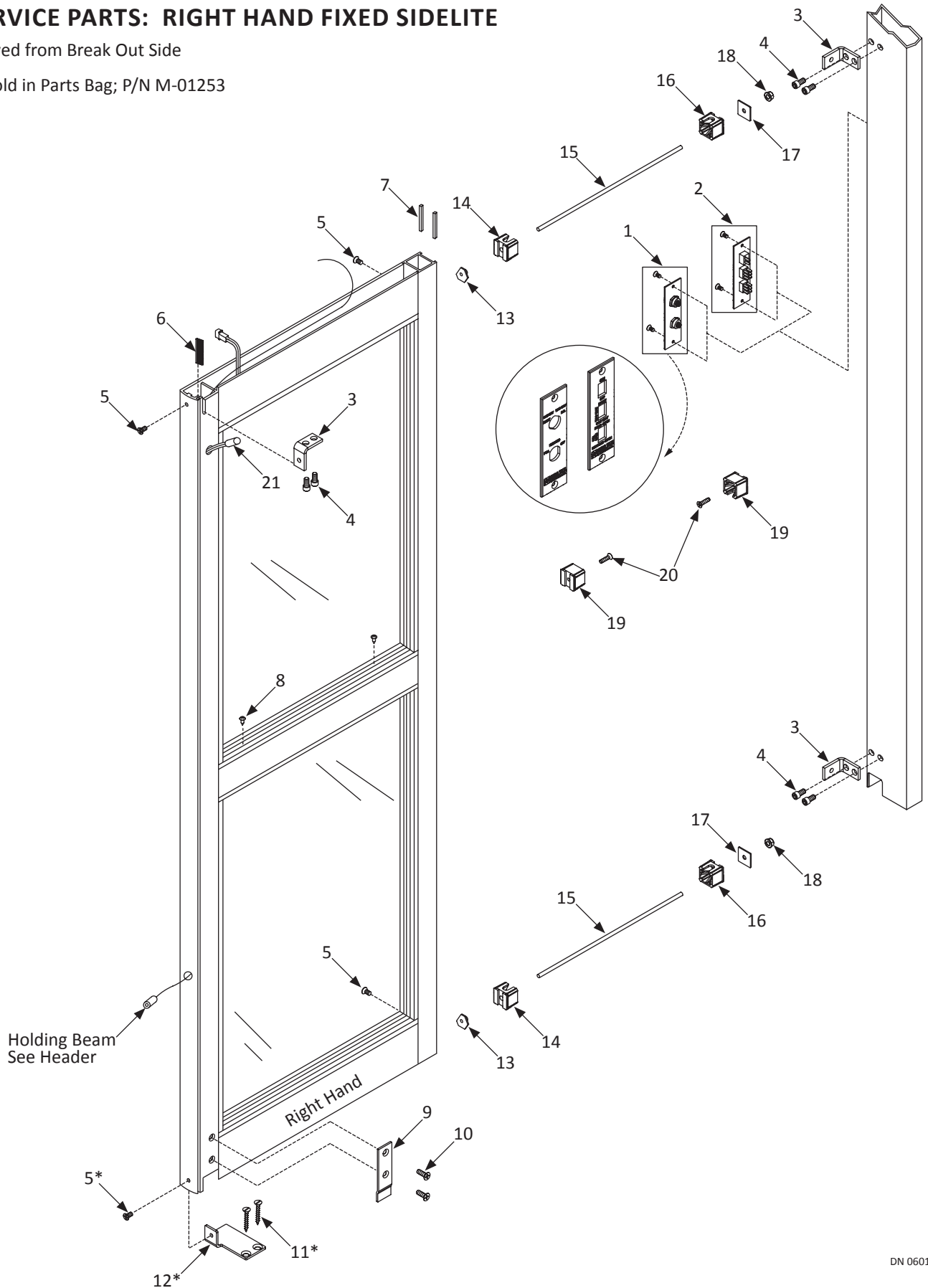


DN 0600

### SERVICE PARTS: RIGHT HAND FIXED SIDELITE

Viewed from Break Out Side

\* Sold in Parts Bag; P/N M-01253

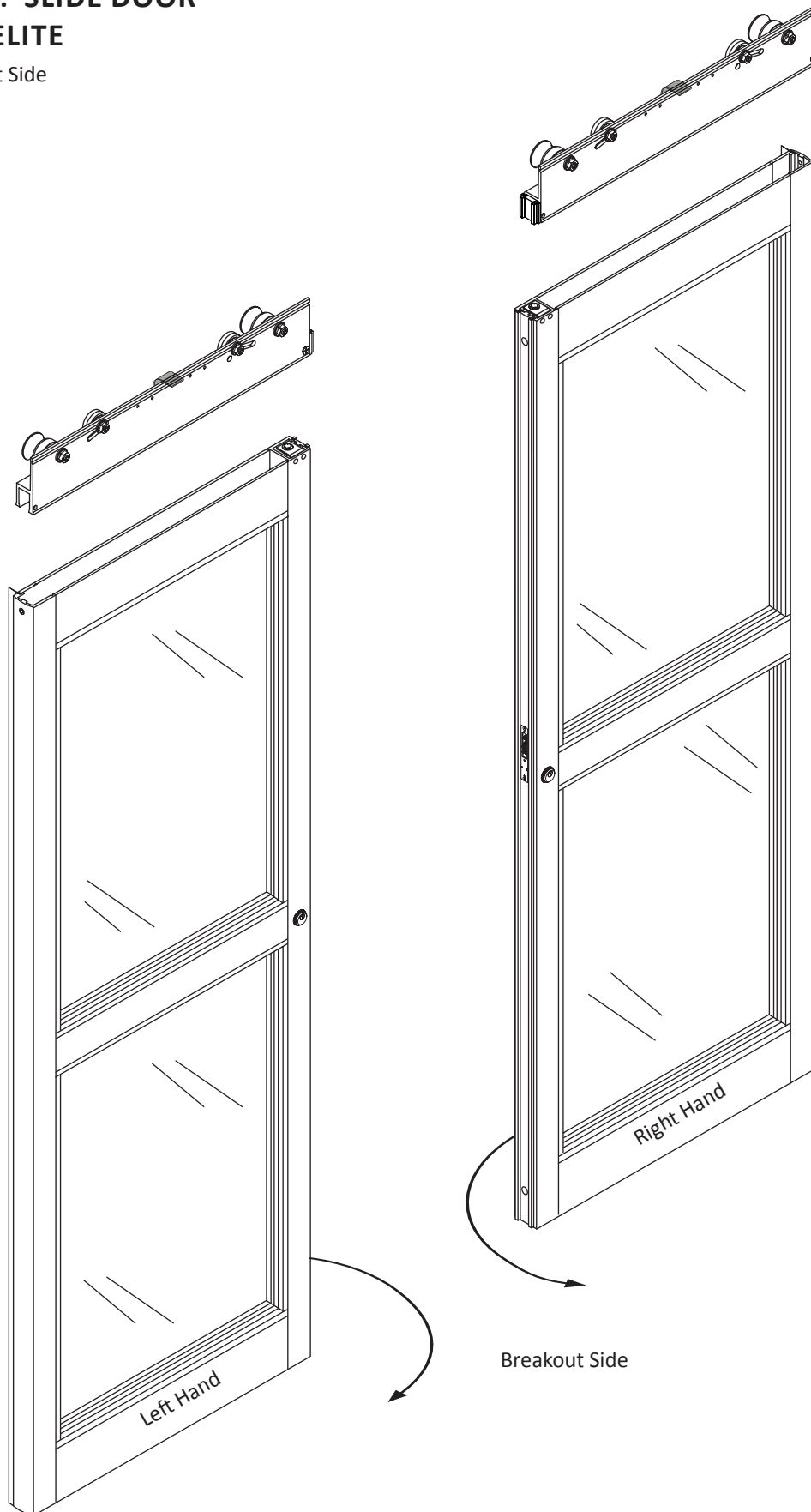


DN 0601

Fixed Sidelite			
Item	Part	Finish/Sizes/Notes	Description
1	M-01144		SWITCH, KEY - NABCO
	M-01145		SWITCH, KEY - PORTA SERVICE
2	M-00428		SWITCH MODULE,3 ROCKER,NABCO
	M-00429		SWITCH MODULE,3 ROCKER,PORTA
3	M-00706		BRACKET,MOUNTING ,FIXED SIDELITE
4	T-00053		SHCS,1/4-20x0.500L.,ZINC
5	T-00055	Zinc	FHMS,1/4-20x0.500L.,PHIL,ZINC
	T-00057	Black Oxide	FHMS,1/4-20x0.500L.,PHIL,BLK ZN
6	A-00951		"BRUSH, NYLON, .56 LX1.875L."
7	M-00281	Include Length needed when ordering	FOAM WEATHERSTRIPPING ADHESIVE BACKED
8	T-00098		PHSMS,10x0.563L.,PHIL,TYPE A
9	M-00709		COVER, PLATE, BOTTOM GUIDE, FS
10	T-00015	Zinc	FHMS,1/4-20x0.750L.,PHIL,ZINC
11	T-00313		FHSMS - SLOTTED, #14 X 1 1/12" LG
12	M-00717	RH	FLOOR BRKT, RHFS
	M-00710	LH	BRACKET,FLOOR, LHFS
13	M-00416		T-NUT, 3/8"-16, TIE ROD
14	M-00460		CLIP,MUNTIN,.500 HOLE
15	M-00272		3/8-16 THREADED ROD
16	M-00461		CLIP,MUNTIN,.386 HOLE
17	M-00422		PLATE,TIE ROD
18	T-00025		NUT,WHIZLOCK,3/8-16,ZINC
19	M-00462		CLIP,MUNTIN,.261 HOLE
20	T-00061	Zinc	FHMS,1/4-20x1.000L.,PHIL,TRI-LOBE,ZINC
21	A-00387	White/Installed inside Strike Stile/See Header for Extension Harnesses	Breakout Switch

### SERVICE PARTS: SLIDE DOOR FOR FIXED SIDELITE

Viewed from Break Out Side

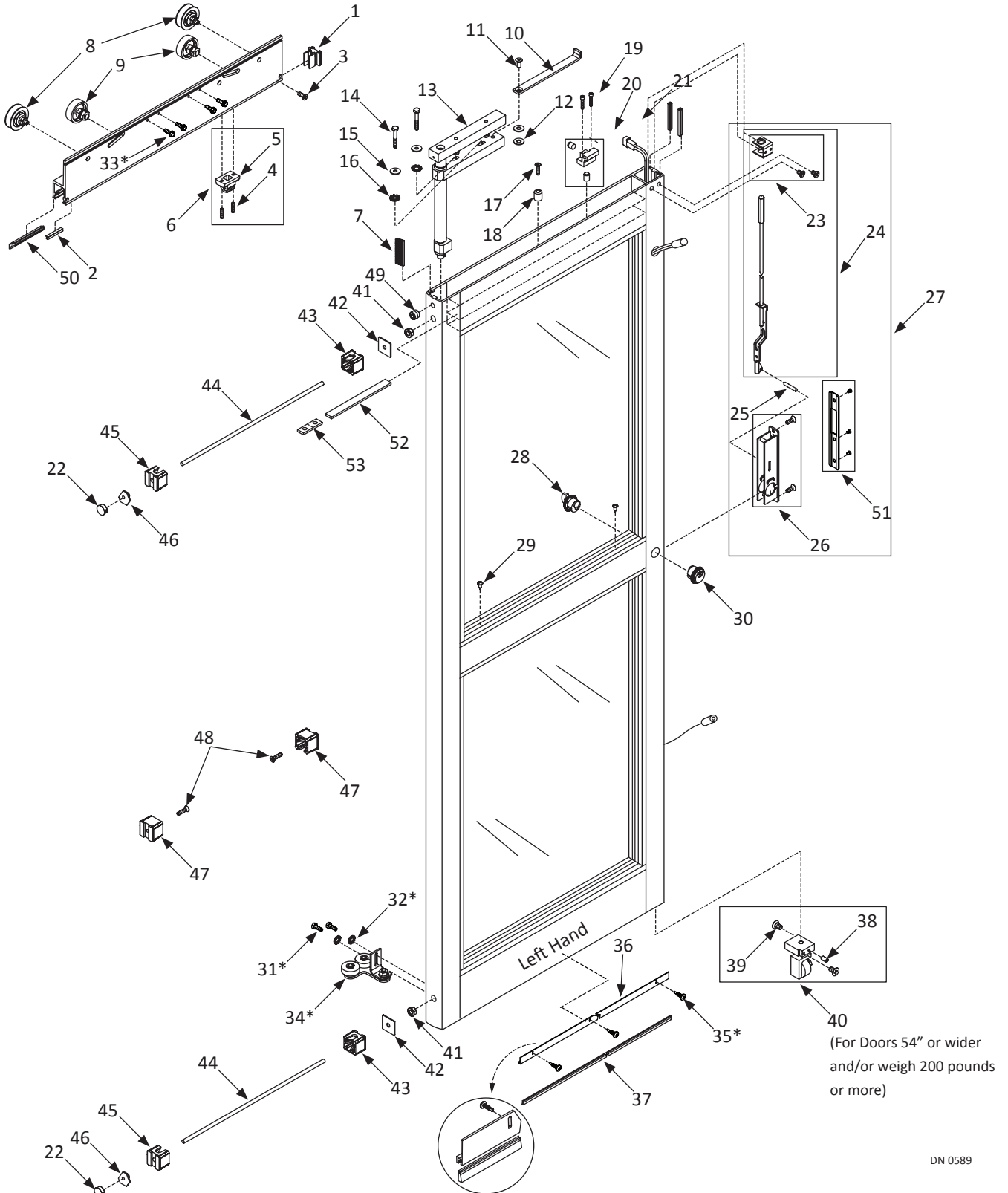


DN 0584

# SERVICE PARTS: LEFT HAND SLIDE DOOR FOR FIXED SIDELITE

Viewed from Break Out Side

\* Sold in Parts Bag; P/N M-01256

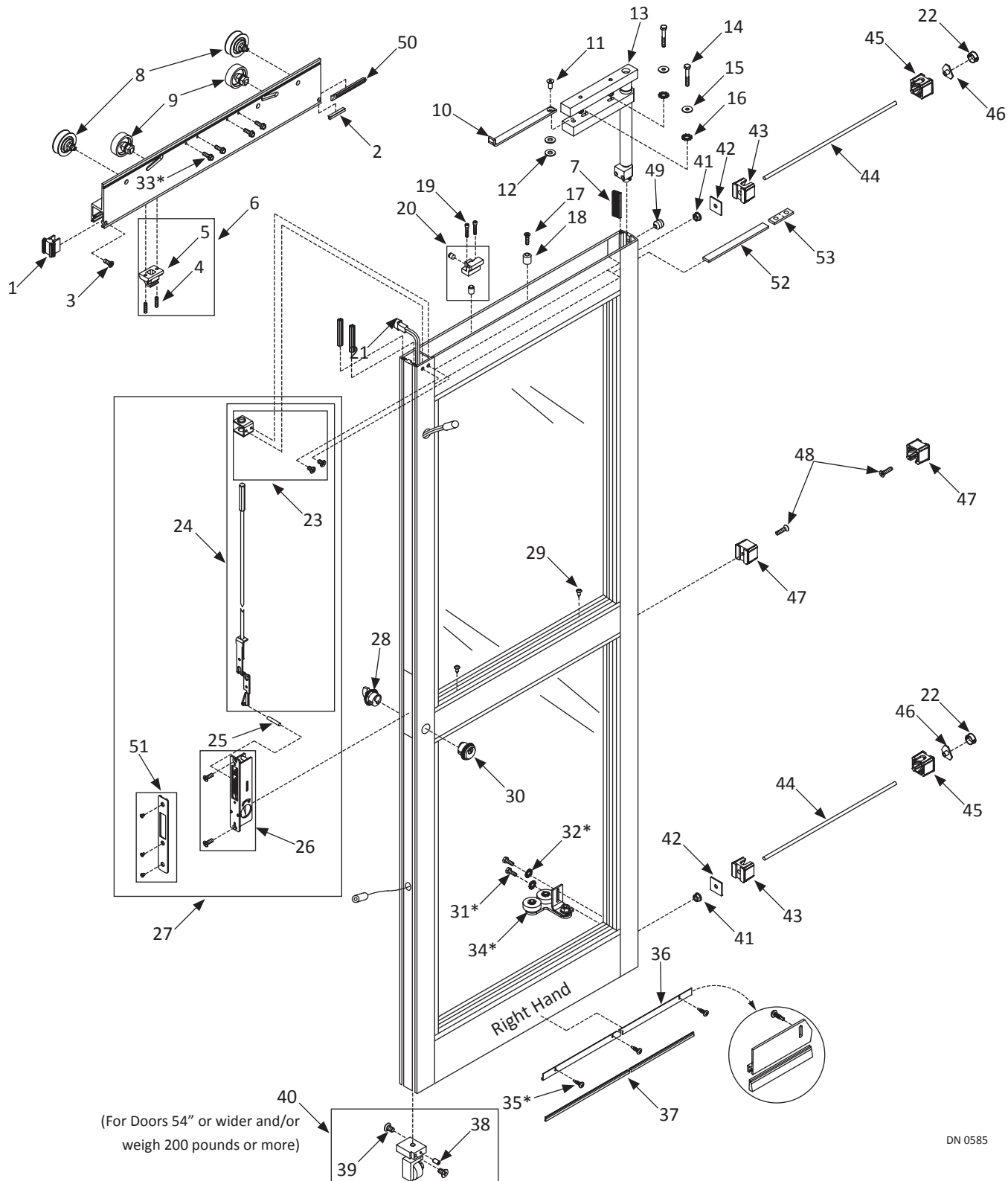


DN 0589

# SERVICE PARTS: RIGHT HAND SLIDE DOOR FOR FIXED SIDELITE

Viewed from Break Out Side

\* Sold in Parts Bag; P/N M-01253



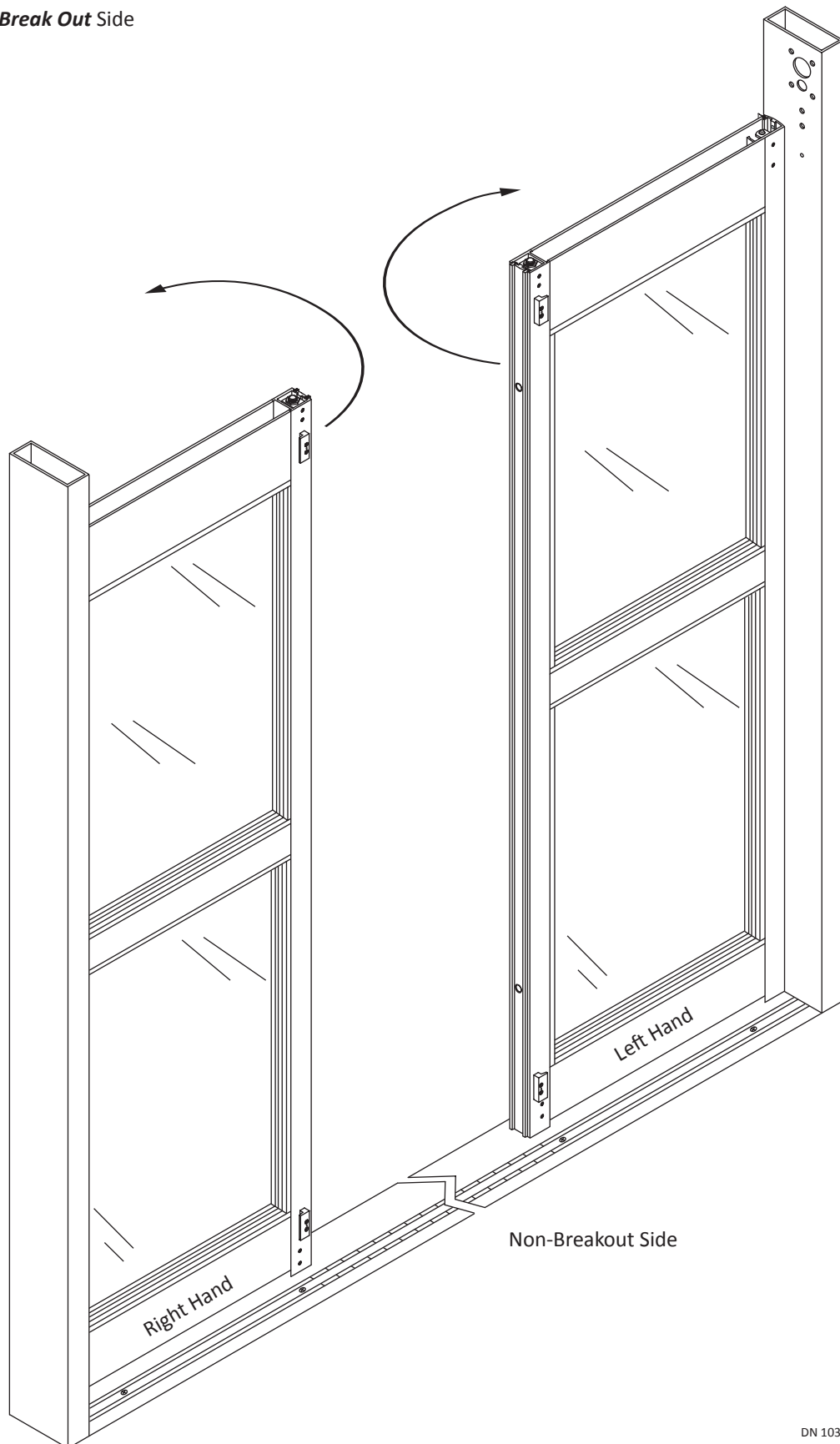


Fixed Sidelite Slide Door			
Item	Part	Finish/Sizes/Notes	Description
1	A-60133	Clear	"CARRIER END CAP,204"
	A-70133	Dark Bronze	CARRIER END CAP,313
2	M-00690		WEATHER, PILE .2
3	T-00006	Zinc	FHSMS,10x0.750L.,PHIL,ZINC
	T-00005	Black Zinc	FHSMS,10x0.750L.,PHIL,BLK ZN
4	T-00091		SHSS,5/16-18x1.250L.,CUP PT.
5	M-00483		PANIC CATCH RELEASE ASSEMBLY
6	A-00071		PANIC CATCH, UPPER,ASM.
7	A-00951		"BRUSH, NYLON, .56 LX1.875L."
8	A-00162		ROLLER, HANGER, ASSEMBLY, 1175
9	A-00163		AXLE ASSEMBLY-ANTI RISE ROLLER
10	M-00379	Standard Stile	LIMIT ARM, STANDARD STILES
	M-00704	Medium Stile	ARM, LIMIT, MEDIUM STILE
11	T-00018		FHCS,7/16-14x1.000L.,ZINC
12	T-00484		WASHER,.469 ID,.922 OD,.065 THK,ZINC
13	A-00092		CARRIER,PIVOT,NARROW STILE
	A-00165		CARRIER, PIVOT ASSY, MED STILE
	A-00168		CARRIER PIVOT ASM. NRW PANEL & STILE
	A-00172		CARRIER,PIVOT,ASM.,NRW.PNL - MED.STILE
14	T-00028		HHCS,1/4-20x1.750L.,GR5,ZINC
15	T-00029		WASHER,.250 ID,.563 OD,.049 THK,ZINC
16	T-00087		WASHER, LOCK, EXT, 1/4 ID, ZINC
17	T-00061		FHMS,1/4-20x1.000L.,PHIL,TRI-LOBE,ZINC
18	M-00653		BRACKET, LIMIT ARM SUPPORT
19	T-00037		SHCS,1/4-20x1.250L.,ZINC
20	A-00069		PANIC CATCH, BOTTOM
21	M-00688		PILE WEATHERING .45 TALL W/ ADHESIVE
22	T-00085		PLUG, DOME, .813 DIAMETER
23	M-01634		LOCK GUIDE (SUB COMPONENT OF LOCK ROD)
24	V-00094		LOCKROD, ADAMS-RITE #4015
25	T-00132		"PIN,ROLL,5/32D X 0.875L."
26	V-00005		LOCK, ADAMS-RITE #MS1853
27	A-00523		KIT,LOCK AND ROD
28	V-00116	Silver	CYLINDER,LOCK,THUMBTURN,204
	V-70116	Bronze	CYLINDER,LOCK,THUMBTURN,313
29	T-00098		PHSMS,10x0.563L.,PHIL,TYPE A
30	V-00123	Silver	CYLINDER,LOCK,KEYED,204
	V-70123	Bronze	CYLINDER,LOCK,KEYED,313
31	T-00064		HHCS,1/4-20x0.750L.,ZINC
32	T-00087		WASHER, LOCK, EXT, 1/4 ID, ZINC
33	T-00119		HHCS,1/4-20x0.750L.,WASH HD.TRILOBE,ZINC

Fixed Sidelite Slide Door			
Item	Part	Finish/Sizes/Notes	Description
34	A-00181	RH	BTM GUIDE DOUBLE ROLLER ASM, RH
	A-00183	LH	BTM GUIDE DOUBLE ROLLER ASM, LH
35	T-00222	Smoke Seal Only/Zinc	PHSMS,6x0.500L.,PHIL,TEKS,ZINC
	T-00260	Smoke Seal Only/Black Zinc	PHSMS,6x0.500L. PHIL,TEKS BLK ZN
36	M-60278	Clear	HOLDER,WEATHERING BRUSH,204,EXTRU
	M-70278	Dark Bronze	HOLDER,WEATHERING BRUSH,313,EXTRU
37	M-00274		BRUSH, NYLON, 1" STEPPED
	M-00698		BRUSH, NYLON, 1.5"
38	T-00105		SHSS,8-32x0.313L.,CUP PT.
39	T-00016	Zinc	FHMS,1/4-20x0.438L.,PHIL,UNDERCUT,ZINC
	T-00108	Black Oxide	FHMS,1/4-20x0.438L.,PHIL,UNDERCUT,BLK ZN
40	A-00198	Clear	NOSE CASTER ASSY, NAR
	A-00207	Clear	NOSE CASTER ASSY, MED
41	T-00025	Zinc	NUT,WHIZLOCK,3/8-16,ZINC
42	M-00422		PLATE,TIE ROD
43	M-00461		CLIP,MUNTIN,.386 HOLE
44	M-00272		3/8-16 THREADED ROD
45	M-00460		CLIP,MUNTIN,.500 HOLE
46	M-00416		T-NUT, 3/8"-16, TIE ROD
47	M-00462		CLIP,MUNTIN,.261 HOLE
48	T-00061		FHMS,1/4-20x1.000L.,PHIL,TRI-LOBE,ZINC
49	T-00261		SHSS,5/16-24x0.500L.,CUP PT.
50	M-60288	Clear	INTERFACE LEG,204,EXTRU
	M-70288	Dark Bronze	INTERFACE LEG,313,EXTRU
51	V-00014	Clear	COVER,MS LOCK,W/ CUTOUT,204
	V-70014	Dark Bronze	COVER,MS LOCK,W/ CUTOUT,313
52	M-01189	Secures magnetic strip inside Rail	MAGNET, WEDGING STRIP
53	M-00282	Cut to full length of Top Door Rail Located inside Top Door Rail	FLEXIBLE MAGNETIC STRIP

### SERVICE PARTS: FULL OPEN SIDELITE

Viewed from *Non-Break Out* Side



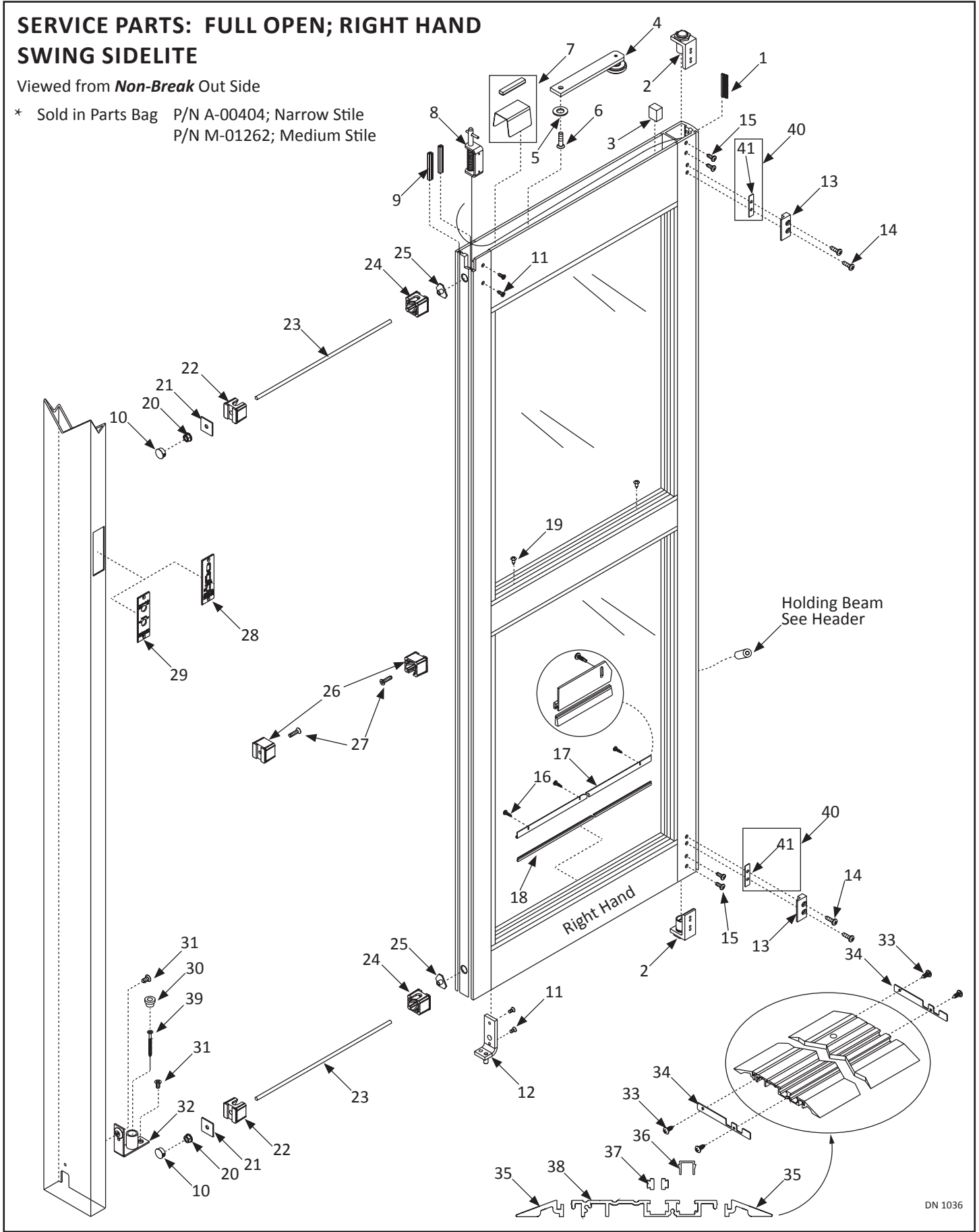
DN 1035



# SERVICE PARTS: FULL OPEN; RIGHT HAND SWING SIDELITE

Viewed from *Non-Break* Out Side

- \* Sold in Parts Bag P/N A-00404; Narrow Stile
- P/N M-01262; Medium Stile

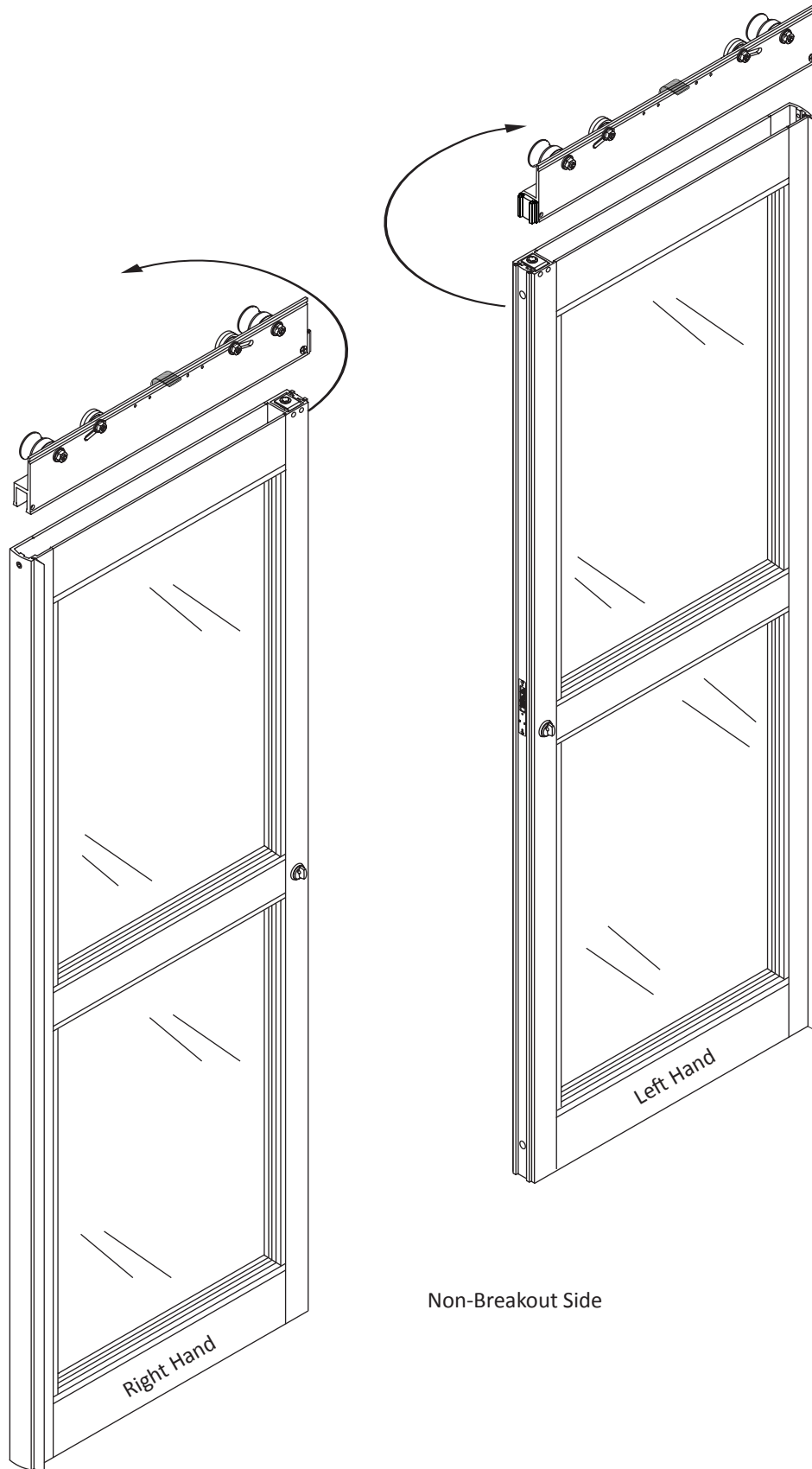


Full Open Sidelite			
Item	Part	Finish/Sizes/Notes	Description
1	A-00951		"BRUSH, NYLON, .56 LX1.875L."
2	A-00057		BALL DETENT,ASSEMBLY
3	A-00166		STOP BLOCK ASSY, SWING PANEL LIMIT ARM
4	A-00060	Narrow Stile	LIMIT ARM,SWING PANEL,ASM.NRW.STILE
	A-00406	Medium Stile	LIMIT ARM, SWING PANEL, MED STILE
5	T-00069		WASHER,.255 ID,.900 OD,.125 THK,NYLON
6	T-00083		FHMS,1/4-20x1.000L.,PHIL,UCUT,VIBRATITE
7	A-00149		ASM, MAGNET, BREAKOUT
8	A-00029		ASM, TOP PIVOT, 1175 SWING PANEL
9	M-00687		WEATHERING, PILE .57 TALL
10	T-00085		PLUG, DOME, .813 DIAMETER
11	T-00016		FHMS,1/4-20x0.438L.,PHIL,UNDERCUT,ZINC
12	M-00593	LH	LH BOTTOM PIVOT SWING PANEL
	M-00594	RH	PIVOT, SWING PANEL,BTM,RH
13	M-01469		INTERLOCK:PLASTIC:1175
14	T-00078		PHMS,10-32x0.625L.,PHIL,ZINC
15	T-00027	Zinc	PHMS,10-32x0.500L.,PHIL.ZINC
	T-00051	Black Zinc	PHMS,10-32x0.500L.,PHIL,BLK ZN
16	T-00222	Zinc	PHSMS,6x0.500L.,PHIL,TEKS,ZINC
	T-00260	Black Zinc	PHSMS,6x0.500L. PHIL,TEKS BLK ZN
17	M-60278	Clear	HOLDER,WEATHERING BRUSH,204,EXTRU
	M-70278	Dark Bonze	HOLDER,WEATHERING BRUSH,313,EXTRU
	M-90278	Bone White	HOLDER:WEATHERING BRUSH:BW:EXTRU
18	M-00274		BRUSH, NYLON, 1" STEPPED
	M-00698		BRUSH, NYLON, 1.5"
19	T-00006		FHSMS,10x0.750L.,PHIL,ZINC
20	T-00025		NUT,WHIZLOCK,3/8-16,ZINC
21	M-00422		PLATE,TIE ROD
22	M-00461		CLIP,MUNTIN,.386 HOLE
23	M-00272		3/8-16 THREADED ROD
24	M-00460		CLIP,MUNTIN,.500 HOLE
25	M-00416		T-NUT, 3/8"-16, TIE ROD
26	M-00462		CLIP,MUNTIN,.261 HOLE
27	T-00061		FHMS,1/4-20x1.000L.,PHIL,TRI-LOBE,ZINC
28	M-00428	Gyro Tech	SWITCH MODULE,3 ROCKER,NABCO
	M-00429	Porta Service	SWITCH MODULE,3 ROCKER,PORTA
29	M-01144	Gyro Tech	SWITCH, KEY - NABCO
	M-00428	Porta Service	SWITCH MODULE,3 ROCKER,NABCO
30	M-00606		BUSHING, BOTTOM PIVOT, SWING PANEL
31	T-00007		FHMS,1/4-20x0.500L.,PHIL,UNDRUCUT,F-PT,ZN
32	M-00611		FLOOR PIVOT BRACKET
33	T-00009		PHSMS,6x0.375L,PHIL,TYPE AB,18-8 SS

Full Open Sidelite			
Item	Part	Finish/Sizes/Notes	Description
34	M-00442		END CAP
35	M-60260		RAMP, THRESHOLD EXTENSION,204,EXTRU
36	M-00295		THRESHOLD, FILLER
37	M-00291		THRESHOLD, BUMPER
38	M-60258		THRESHOLD,4-1/2 X 1/2,204,EXTRU
39	T-00008		FHSMS,1/4x2.750L.,PHIL,TAPCON,BLUE
40	A-00391		KIT,SHIM,INTERLOCK
41	M-00494		SHIM, INTERLOCK

### SERVICE PARTS: SLIDE DOOR FOR FULL OPEN

Viewed from *Non-Break* Out Side



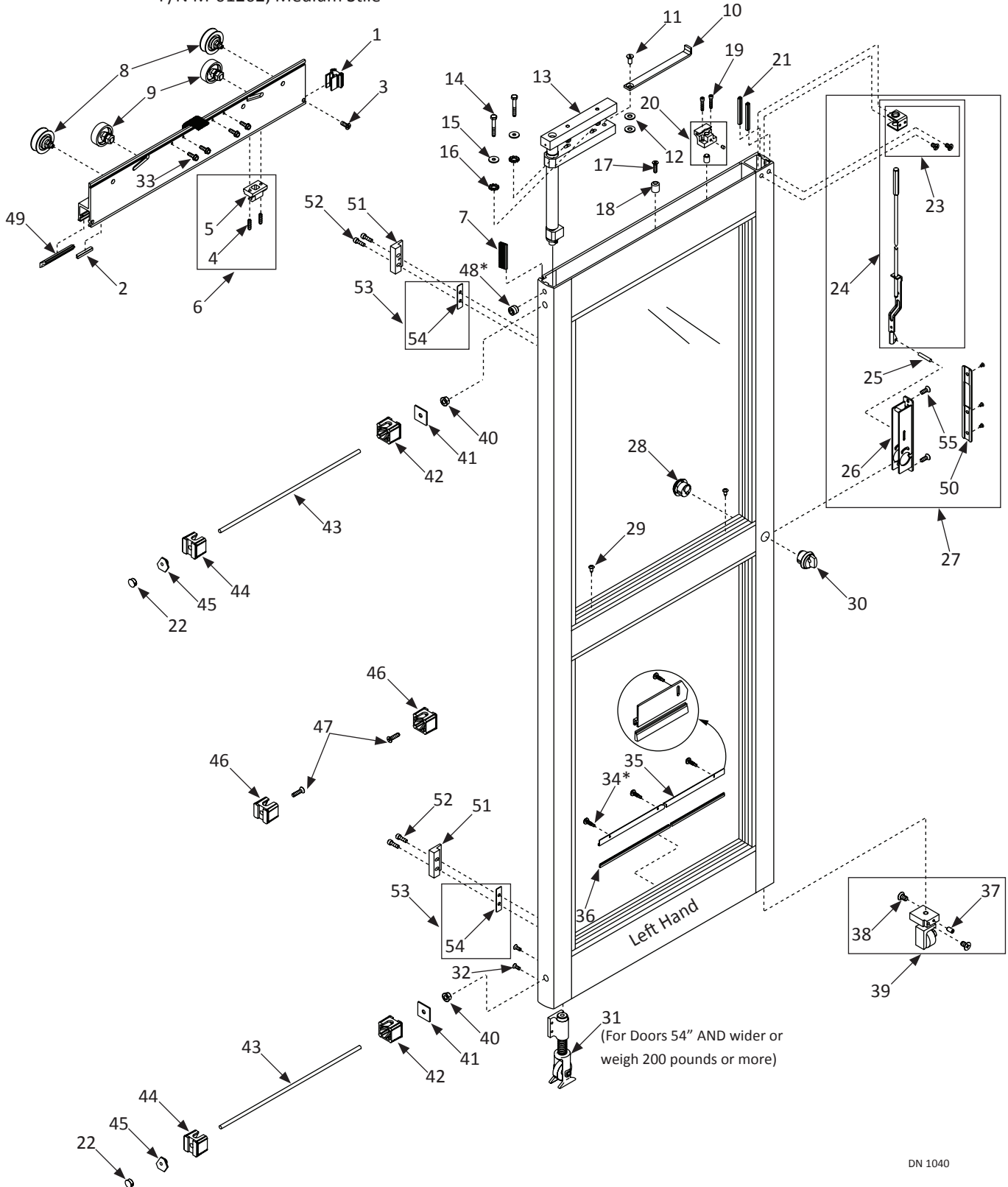
DN 1038



# SERVICE PARTS: LEFT HAND SLIDE DOOR FOR FULL OPEN

Viewed from *Non-Break* Out Side

\* Sold in Parts Bag P/N A-00404; Narrow Stile  
P/N M-01262; Medium Stile

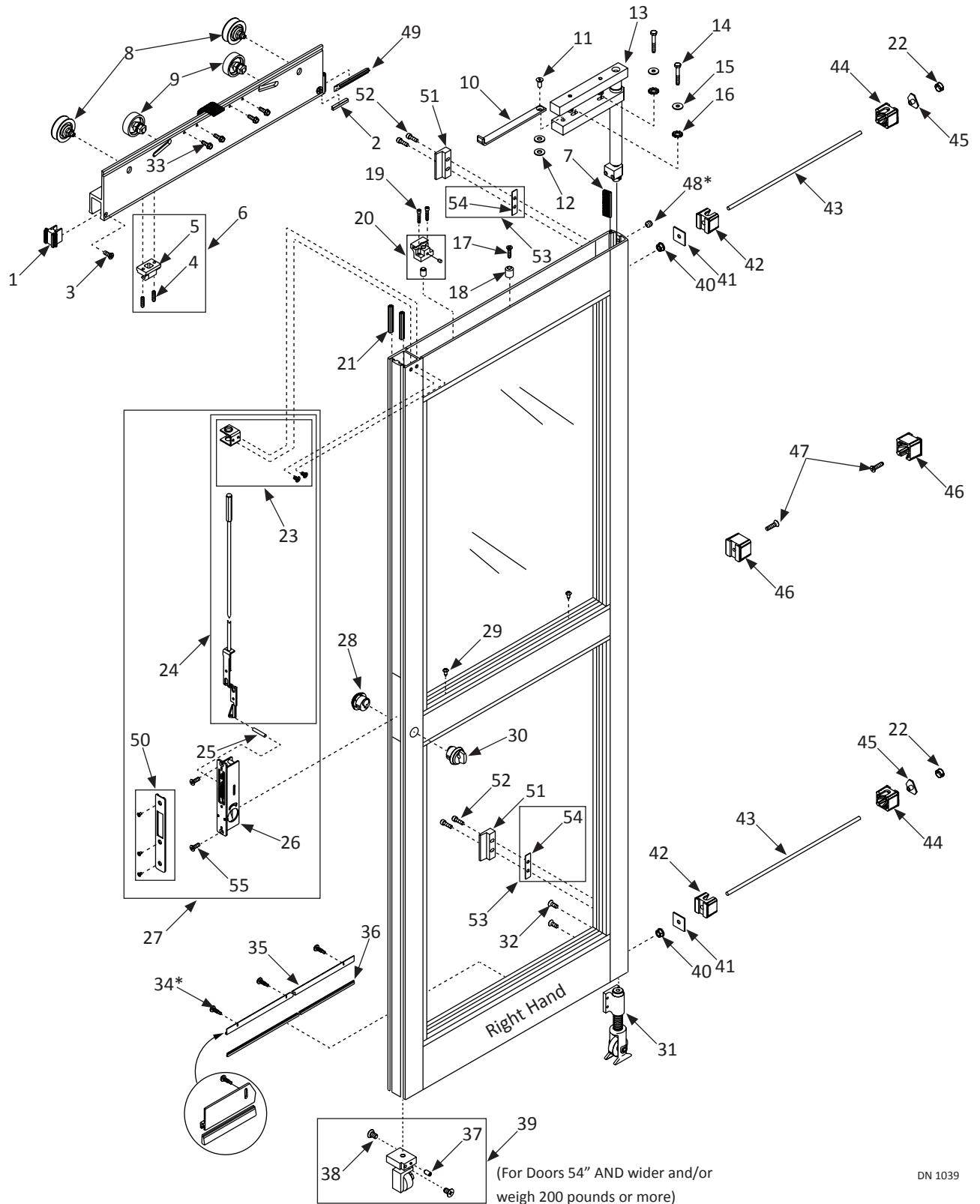


DN 1040

# SERVICE PARTS: RIGHT HAND SLIDE DOOR FOR FULL OPEN

Viewed from *Non-Break* Out Side

\* Sold in Parts Bag P/N A-00404; Narrow Stile  
P/N M-01262; Medium Stile



DN 1039

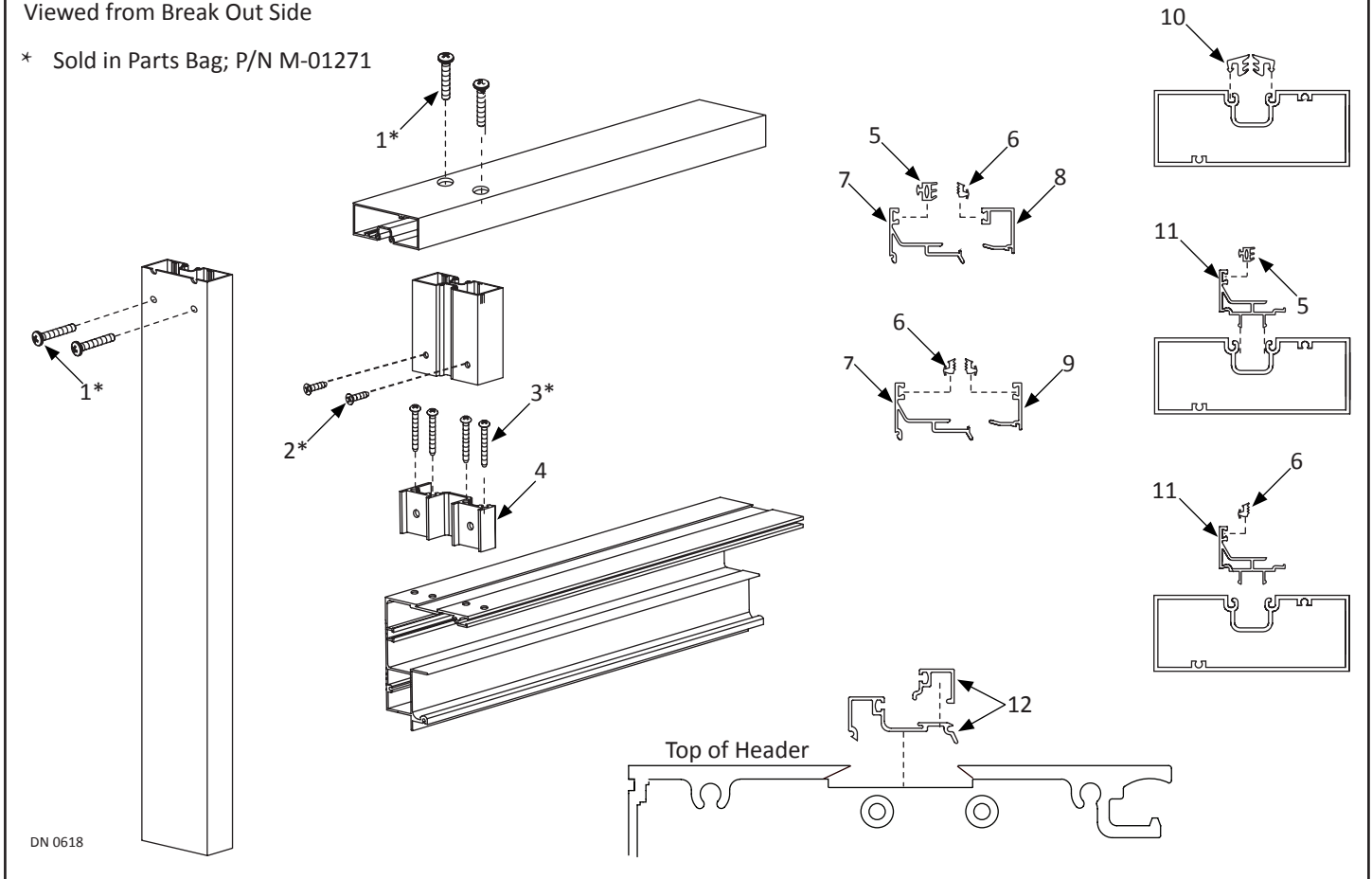
Full Open Slide Door			
Item	Part	Finish/Sizes/Notes	Description
1	A-60133	Clear	"CARRIER END CAP,204"
	A-70133	Dark Bronze	CARRIER END CAP,313
2	M-00690		WEATHER, PILE .2
3	T-00006	Zinc	FHSMS,10x0.750L.,PHIL,ZINC
	T-00005	Black Zinc	FHSMS,10x0.750L.,PHIL,BLK ZN
4	T-00091		SHSS,5/16-18x1.250L.,CUP PT.
5	M-00483		PANIC CATCH RELEASE ASSEMBLY
6	A-00071		PANIC CATCH, UPPER,ASM.
7	A-00951		"BRUSH, NYLON, .56 LX1.875L."
8	A-00162		ROLLER, HANGER, ASSEMBLY, 1175
9	A-00163		AXLE ASSEMBLY-ANTI RISE ROLLER
10	A-00060	Narrow Stile	LIMIT ARM,SWING PANEL,ASM.NRW.STILE
	A-00406	Medium Stile	LIMIT ARM, SWING PANEL, MED STILE
11	T-00018		FHCS,7/16-14x1.000L.,ZINC
12	T-00484		WASHER,.469 ID,.922 OD,.065 THK,ZINC
13	A-00092		CARRIER,PIVOT,NARROW STILE
	A-00165		CARRIER, PIVOT ASSY, MED STILE
	A-00168		CARRIER PIVOT ASM. NRW PANEL & STILE
	A-00172		CARRIER,PIVOT,ASM.,NRW.PNL - MED.STILE
14	T-00028		HHCS,1/4-20x1.750L.,GR5,ZINC
15	T-00029		WASHER,.250 ID,.563 OD,.049 THK,ZINC
16	T-00087		WASHER, LOCK, EXT, 1/4 ID, ZINC
17	T-00061		FHMS,1/4-20x1.000L.,PHIL,TRI-LOBE,ZINC
18	M-00653		BRACKET, LIMIT ARM SUPPORT
19	T-00037		SHCS,1/4-20x1.250L.,ZINC
20	A-00069		PANIC CATCH, BOTTOM
21	M-00688		PILE WEATHERING .45 TALL W/ ADHESIVE
22	T-00085		PLUG, DOME, .813 DIAMETER
23	M-01634		LOCK GUIDE (SUB COMPONENT OF LOCK ROD)
24	V-00094		LOCKROD, ADAMS-RITE #4015
25	T-00132		"PIN,ROLL,5/32D X 0.875L."
26	V-00005		LOCK, ADAMS-RITE #MS1853
27	A-00523		KIT,LOCK AND ROD
28	V-00116	Silver	CYLINDER,LOCK,THUMBTURN,204
	V-70116	Bronze	CYLINDER,LOCK,THUMBTURN,313
29	T-00098		PHSMS,10x0.563L.,PHIL,TYPE A
30	V-00123	Silver	CYLINDER,LOCK,KEYED,204
	V-70123	Bronze	CYLINDER,LOCK,KEYED,313
31	A-00063	Narrow Stile	ROLLER GUIDE,BOTTOM,ASM.
	A-00692	Medium Stile	CASTED BOTTOM ROLLER GUIDE ASSEMBLY
32	T-00027		PHMS,10-32x0.500L.,PHIL.ZINC
33	T-00010		HHCS,1/4-20x0.750L.,WHIZLOCK,ZINC

Full Open Slide Door			
Item	Part	Finish/Sizes/Notes	Description
34	T-00222	Smoke Seal Only/Zinc	PHSMS,6x0.500L.,PHIL,TEKS,ZINC
	T-00260	Smoke Seal Only/Black Zinc	PHSMS,6x0.500L. PHIL,TEKS BLK ZN
35	M-60278	Clear	HOLDER,WEATHERING BRUSH,204,EXTRU
	M-70278	Dark Bonze	HOLDER,WEATHERING BRUSH,313,EXTRU
	M-90278	Bone White	HOLDER:WEATHERING BRUSH:BW:EXTRU
36	M-00274		BRUSH, NYLON, 1" STEPPED
	M-00698		BRUSH, NYLON, 1.5"
37	T-00105		SHSS,8-32x0.313L.,CUP PT.
38	T-00016	Zinc	FHMS,1/4-20x0.438L.,PHIL,UNDERCUT,ZINC
	T-00108	Black Oxide	FHMS,1/4-20x0.438L.,PHIL,UNDERCUT,BLK ZN
39	A-00198	.090 Narrow Stile	NOSE CASTER ASSY, NAR
	A-00207	.125 Medium Stile	NOSE CASTER ASSY, MED
40	T-00025	Zinc	NUT,WHIZLOCK,3/8-16,ZINC
41	M-00422		PLATE,TIE ROD
42	M-00461		CLIP,MUNTIN,.386 HOLE
43	M-00272		3/8-16 THREADED ROD
44	M-00460		CLIP,MUNTIN,.500 HOLE
45	M-00416		T-NUT, 3/8"-16, TIE ROD
46	M-00462		CLIP,MUNTIN,.261 HOLE
47	T-00061		FHMS,1/4-20x1.000L.,PHIL,TRI-LOBE,ZINC
48	T-00019	Black Oxide	SHSS,5/16-24x0.313L.,CUP PT.
49	M-60288	Clear	INTERFACE LEG,204,EXTRU
	M-70288	Dark Bronze	INTERFACE LEG,313,EXTRU
50	V-00014	Clear	COVER,MS LOCK,W/ CUTOUT,204
	V-70014	Dark Bronze	COVER,MS LOCK,W/ CUTOUT,313
51	M-00440		INTERLOCK, PLASTIC, 1175
52	T-00078		PHMS,10-32x0.625L.,PHIL,ZINC
53	A-00391		KIT,SHIM,INTERLOCK
54	M-00494		SHIM, INTERLOCK
55	T-00043	Zinc	FHMS,10-24x0.375L.,PHIL,UNDERCUT,ZINC
	T-00045	Black Oxide	FHMS,10-24x0.375L.,PHIL,UNDERCUT,BLK ZN

### SERVICE PARTS: TRANSOM, GLASS STOPS, AND VINYL

Viewed from Break Out Side

\* Sold in Parts Bag; P/N M-01271



DN 0618

#### Transom, Glass Stops, and Vinyl

Item	Part	Finish/Sizes/Notes	Description
1	T-00157		"PHSMS,8x1.000L.,PHIL,TYPE B"
2	T-00061	Zinc	FHMS,1/4-20x1.000L.,PHIL,TRI-LOBE,ZINC
	T-00022	Black Zinc	FHMS,1/4-20x1.000L.,PHIL,TRI-LOBE,BLK ZN
3	T-00320		PHSMS, #10 - 1.750L.
4	M-00799		TRANSOM CLIP
5	M-00263	Used for 1/4" Glass	VINYL GLASS STOP THREE PRONG
6	M-00284	Used for 1/4" and 1" Glass Clear	VINYL GLASS STOP TEAR DROP
7	M-60250	Used for 1/4" and 1" Glass/Clear	GLASS STOP,BASE,204,EXTRU
	M-70250	Used for 1/4" and 1" Glass/Dark Bronze	GLASS STOP,BASE,313,EXTRU
8	M-60268	Used for 1/4" Glass/Clear	GLASS STOP, SNAP IN, 1/2" TALL,204,EXTRU
	M-70268	Used for 1/4" Glass/Dark Bronze	GLASS STOP, SNAP IN, 1/2" TALL,313,EXTRU
9	M-60333	Used for 1" Glass/Clear	GLASS STOP,TOP, 1" TALL, 204 ,EXTRU
	M-70333	Used for 1" Glass/Dark Bronze	GLASS STOP,TOP, 1" TALL, 313 ,EXTRU
10	M-00279	Used for 1/4" Glass	VINYL FLUSH GLAZE
11	M-00298	Used when Glass Size is other than 1/4"	GLASS STOP,BASE,TRANSOM JAMB
12	M-60338	Clear	GLASS STOP,BASE,SNAP IN,204,,EXTRU
	M-70338	Dark Bronze	GLASS STOP,BASE,SNAP IN,313,EXTRU