

REPAIR THE BOTTOM GUIDE

Section 1: Remove Existing Bottom Guide

1. Turn power OFF.
2. Go to the bottom Stile of Door. Remove (2) #10-32 x .5 screws (used to secure the Bottom Guide), and (2) 10-32 x .625 screws (used to secure the Interlock). Please see Figure 1.
 - a. Save all hardware for reinstallation.

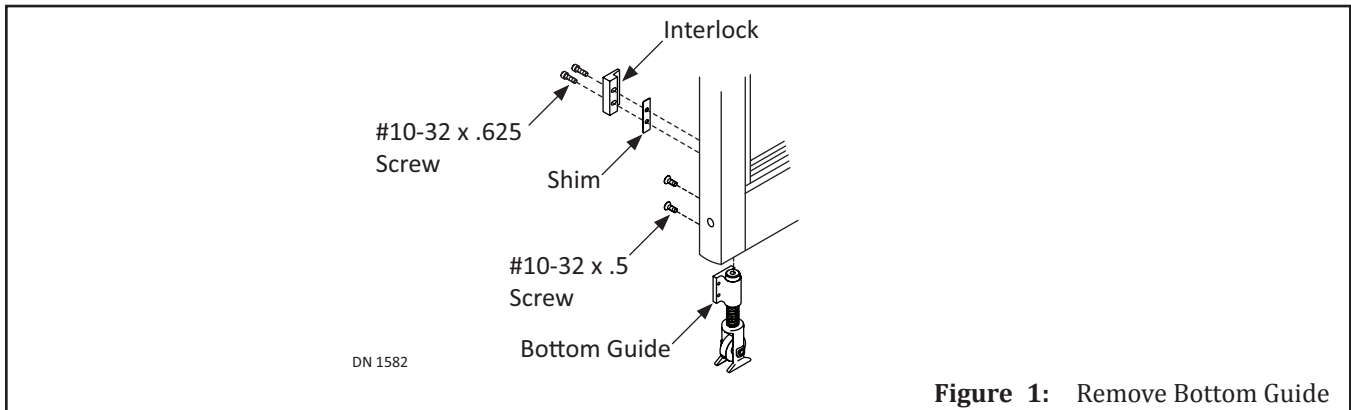


Figure 1: Remove Bottom Guide

3. With the Chamfered end of Pin facing up, place Bottom Guide assembly on a Vice or other support. Please see Figure 2.
 - a. This will insure that the knurled end of Pin is not driven through the entire fork.

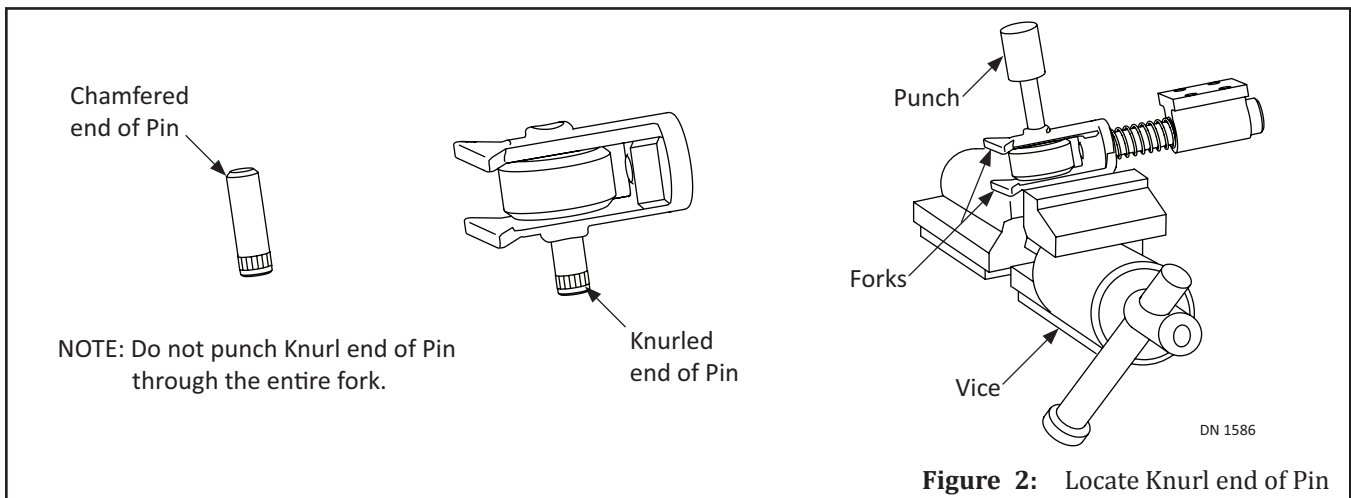
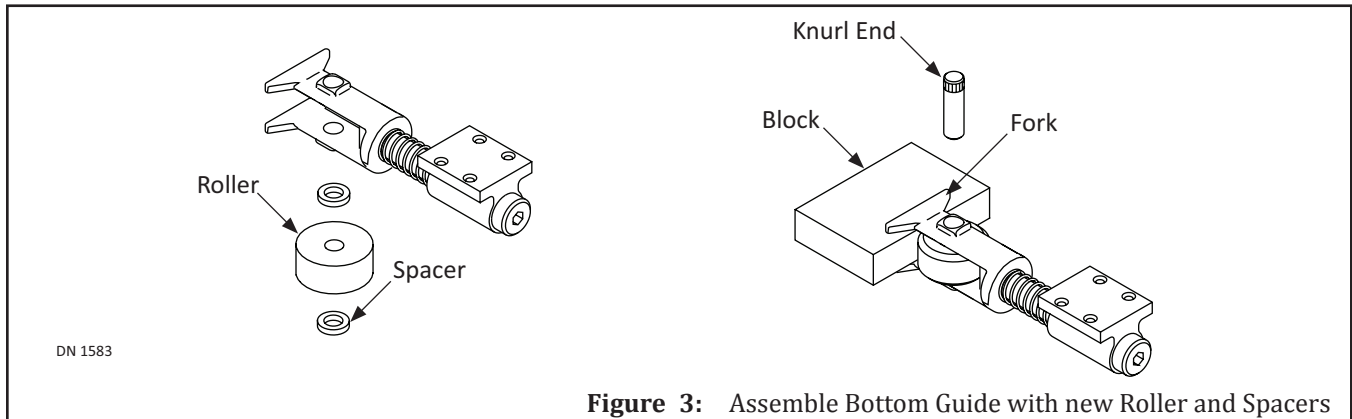


Figure 2: Locate Knurl end of Pin

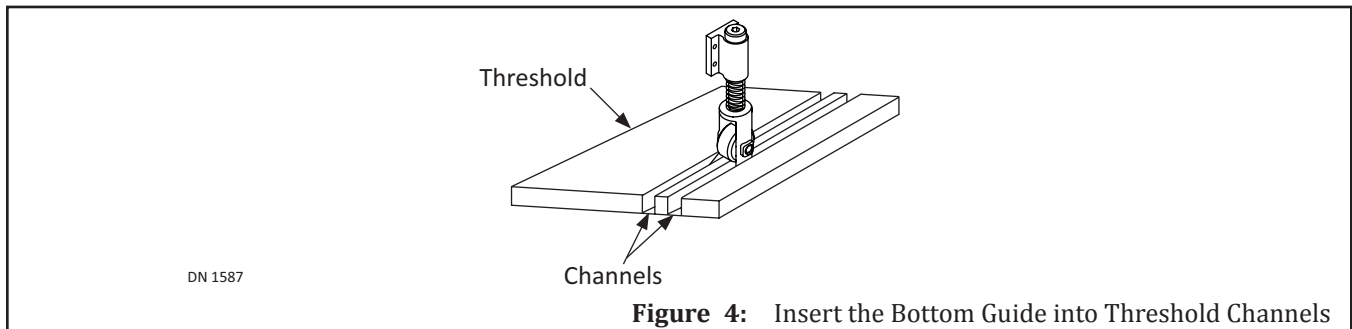
4. Knock out the Pin using a hammer and punch.
5. Remove the old Roller.

Section 2: Install new Bottom Guide

1. Obtain the Repair Kit. Place (1) new Spacer under Roller and (1) new Spacer on top. Please see Figure 3.
2. Insert the new Roller assembly between the Forks.
3. It is recommended to insert a block between the Forks.
4. With the Knurl end of Pin facing up, secure the Roller assembly with new Pin using a hammer and punch.
 - a. Do not punch the Knurl end of Pin through the entire Fork.



5. Test the Bottom Guide in a piece of Threshold to ensure the Forks are not pinched together. Please see Figure 4.
 - a. Ensure the Bottom Guide can easily slide through the Channels.
 - b. If Forks are pinched, spread Forks apart until the Bottom Guide can freely slide within the Threshold.



6. Reinstall the Bottom Guide assembly and Interlock assembly to the bottom Stile of Door.
7. Turn Power ON.