

GT1400

Folding Door

Where LIMITED SPACE is MAXIMIZED



Product Features and Benefits

- Multiple size options available **for unique applications**
- Accommodates narrow passageways **offering ease of access**
- Creates a large opening **while dramatically reducing the door sweep**
- Adjustable door speed, finger protection and locking options, **maintaining safety and security**
- Available for both standard and hurricane rated applications, **a preferred choice when space is at a premium**



GT1400 Folding Door

The NABCO GT1400 Folding Door offers a wide opening within a limited space. The GT1400 has a unique folding feature that provides a much larger door opening while dramatically reducing the door sweep. Also available to meet the high-velocity Hurricane Zone of the Florida Building Code, NABCO offers the GT1400 Hurricane High-Impact Folding Door. Whether you choose the NABCO GT1400 standard or hurricane rated unit, the NABCO GT1400 is a perfect solution to accommodate your need for a full automatic door solution in a constricted space.

PRODUCT INFORMATION - STANDARD & HURRICANE UNITS

Header dimensions	Bottom load – 7.5" H X 5.5" D
Standard finish	Clear and dark bronze anodized
Optional finishes	Painted, clad, special anodized
Mounting	Concealed, surface-applied
Operating voltage	120 VAC
Auxiliary power output	12 VDC 750 mA
Operator drive	Electro-mechanical
Motor voltage	Pulse width modulated
Motor type	1/10th HP permanent magnet motor
Control type	Microprocessor
Door panel weight	300 lbs. for single fold; 480 lbs. total moving weight for bi-fold
Adjustable open	Force and speed
Adjustable close	Force and speed
Closing method	Spring (with selectable power assist)
Basic features	Obstacle detection in opening and closing cycles Sequential or timer mode operation LCD screen for programming and diagnostics Open- or closed-circuit safety inputs
Switch modes	On, off, hold-open, exit, auto
Opening and closing speed	Adjustable
Hold-open time	Adjustable (0-30 seconds)
Code compliances	ANSI A156.10
Approvals	UL, ULC, NAMI, FPA

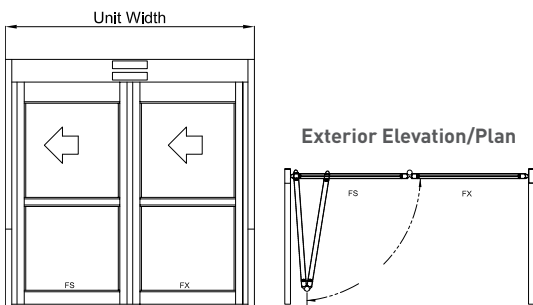
PRODUCT INFORMATION - HURRICANE ONLY

	IMPACT	NON-IMPACT
Maximum height	91.5" [2324.1]	91.5" [2324.1]
Maximum width	96" [2438.4]	96" [2438.4]
Lock options	Single fold – 4-point Bi-fold – 8-point Two-point lock active panel(s) Two flush bolts inactive panel(s) 4450 handles (optional) Exterior key cylinder standard	Single fold – 4-point Bi-fold – 8-point Two-point lock active panel(s) Two flush bolts inactive panel(s) 4450 handles (optional) Exterior key cylinder standard
Flush bolts	Required	Required
Glass	1/2" Solutia Saflix (wet glaze)	5/16" tempered (dry glaze)
Stiles	Narrow or medium	Narrow or medium
Bottom rail	4', 6.5" or 10"	4', 6.5" or 10"
Muntin	None	None
Wind pressure	PSF +50 / -60	PSF +50 / -60
FL product approval	FPA 16167.5	FPA 16167.6

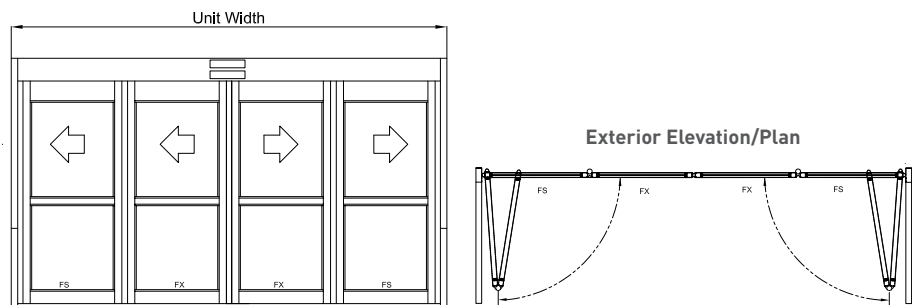
SELECTION GUIDE

DOOR TYPE	FRAME WIDTH	DOOR OPENING	FULL BREAKOUT OPENING
Single-fold	3' 8" [1118] - 5' 3" [1600]	30" [762] - 48" [1219]	36 1/8" [918] - 55 1/8" [1400]
Bi-fold	6' 4" [1930] - 9' 0" [2743]	52 3/8" [1330] - 82 5/8" [2099]	64 1/4" [1632] - 96 1/4" [2445]

GT1400 Single-fold



GT1400 Bi-fold



NABCO Service and Specifications

Along with the NABCO factory branches, NABCO has the largest independently owned network of automatic door distributors in North America. Their friendly, qualified installers and technicians always strive to exceed your expectations from install to after-sales service. NABCO's factory branches and independent distributors provide AAADM-certified technicians to ensure your doors meet all ANSI A156.10/A156.19 standards.

Complete three-part specifications and CAD drawings are available on the NABCO website.



Member of the **Nabtesco** Group

NABCO ENTRANCES INC.

582 W18717 Gemini Drive | Muskego, WI 53150 | 877-622-2694 | Fax 888-679-3319

www.nabcoentrances.com | Email info@nabcoentrances.com



Distributed by: