



GT2125 Fixed Sidelite, no Track, Telescopic Slide Door

Quick Set-Up Parts Guide

P/N C-00097 Rev 8-18-16

Nabco Entrances Inc. S82 W18717 Gemini Drive Muskego, Wisconsin 53150

Phone: (877) 622-2694 Fax: (888) 679-3319 www.nabcoentrances.com

*Associated Manuals Part Numbers: GT 2125 Manual Slider Installation Manual (P/N 15-11011)
Manual Slide Door Owner's Manual (P/N C-00189) for Decal Installation
NABCO Price Book" for Sensors, Switches, and Accessories (P/N 16-9244-30)*

Table of Contents

1	INSTALL THE FRAME	2
2	INSTALL THE FIXED SIDELITE PANEL	2
3	INSTALL THE TRAIL DOOR	2
4	INSTALL THE LEAD DOOR	2
5	ADJUSTMENTS	3
	SERVICE PARTS: HEADER	5
	SERVICE PARTS: FIXED SIDELITE	7
	SERVICE PARTS: LEFT HAND FIXED SIDELITE	8
	SERVICE PARTS: RIGHT HAND FIXED SIDELITE	9
	SERVICE PARTS: TRAIL DOOR	11
	SERVICE PARTS: LEFT HAND TRAIL DOOR	12
	SERVICE PARTS: RIGHT HAND TRAIL DOOR	13
	SERVICE PARTS: LEAD DOOR	16
	SERVICE PARTS: LEFT HAND LEAD DOOR	17
	SERVICE PARTS: RIGHT HAND LEAD DOOR	18

1 Install the Frame

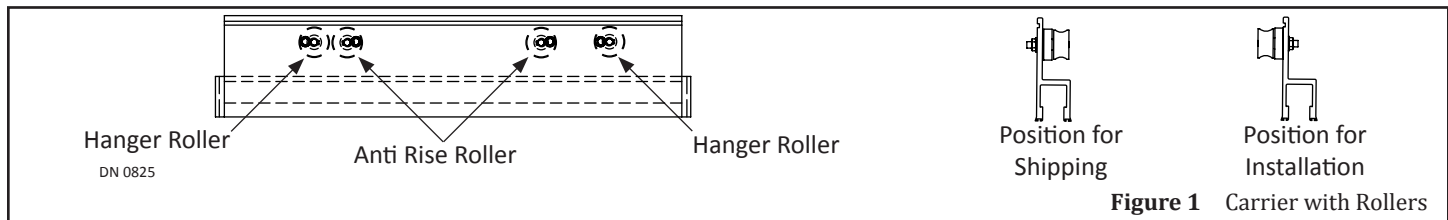
1. Go to the breakout side of rough opening. Place Header on a flat surface with the removable cover facing up.
2. Refer to the instruction sticker located on each Jamb Tube to properly orientate Jamb Tubes.
3. Remove Cover from Header. Remove Parts boxes and/or Parts bags from inside Header. Set aside.
4. Go to the Roller Track for the Lead Door. Remove (4) Rail Clamps. Set Hardware aside. Remove the Roller Track.
5. Measure to ensure each Jamb Tube is on the correct side of Header. 3/8 inch gap between the Back of Header and the Jamb Tube. 1/4 inch gap between the front of Header and the Jamb Tube.
6. Install Frame to Rough Opening with 1/4 inch diameter anchors or 3/8 inch threaded rods, with a maximum 48 inches on center for the Header and Jamb Tubes (First anchor maximum is 36 inches from each end of the Header).

2 Install the Fixed Sidelite Panel

1. Locate (2) pre-installed Mounting Brackets on the Jamb Tube, and (1) pre-installed Mounting Bracket located at the bottom of the Header.
2. Angle the Pivot Stile on the Sidelite Panel to insert each Jamb Tube Mounting Bracket into each cut out.
3. Angle the Strike Stile on the Sidelite Panel to insert (1) Header Mounting Bracket into cut out located at the top.
4. Secure all (3) Mounting Brackets to the Sidelite Panel.
5. Snap a chalk line between Jamb Tubes in front of the Sidelite Panel. If the Sidelite Panel runs parallel to the chalk line it is square; if not please make necessary adjustments until it is.
6. Slide the Floor Mounting Bracket underneath the Bottom Rail until the (2) screw holes located on the upper portion butt up against (2) pre-drilled screw holes located on the outside wall of the Bottom Rail.
7. Mark the edges of the Floor Mounting Bracket onto the floor while holding the Sidelite Panel parallel to the chalk line.
8. Use the Floor Bracket as a template to mark and drill (2) 5/16 inch anchor holes into the floor at least 1-1/2 inch deep. Insert (1) Anchor into each drilled hole.
9. Secure the Floor Mounting Bracket to the Floor.

3 Install the Trail Door

1. Cover the Sidelite Panel with cardboard on the Breakout side.
2. Remove each Roller located at the front of Carrier. Refer to the instruction sticker to reinstall each Roller to the back of Carrier.
 - a. Ensure each Roller is horizontally aligned to each other.



3. Slightly tilt the Slide door to make it easier for the (4) Rollers to 'catch' onto the track.
4. Adjust the Trail Door in Section 5 "Adjustments"; then come back to complete installation.
5. Secure the Bottom Guide Assembly Bracket to the Pivot Stile.
6. Go to the Strike Stile located on the Sidelite Panel. Remove the pre-installed End Cap Bracket.
7. Slide the Trail Door until the Bottom Guide Assembly can slide underneath the Strike Stile and then into the Bottom Rail of the Sidelite Panel. Reinstall the End Cap Cover.

4 Install the Lead Door

1. Cover the Trail Panel with cardboard on the Breakout side.
2. Reinstall the Roller Track. It is recommended to tilt the Roller Track until it is inserted within the Header Slot, then dropped down until it is perpendicular to the floor before securing each Rail Clamp.
3. Remove each Roller located at the front of the Carrier. Refer to the instruction sticker to reinstall each Roller to the back of the Carrier. Ensure each Roller is horizontally aligned to each other. Please see Figure 1.
4. Slightly tilt the Lead door to make it easier for the (4) Rollers to 'catch' onto the track.
5. Refer to Section "5 Adjustments"; to adjust the Lead door then come back to complete installation.
6. Secure the Bottom Guide Assembly Bracket to the Pivot Stile.
7. Go to the Strike Stile located on the Trail door. Remove the pre-installed End Cap Cover.
8. Support the weight of the Lead door. Breakout the Lead Door to Full Open position. Ensure cardboard is still protecting the Trail door.

- Angle the Lead door until the Bottom Guide Assembly can slide into the opening located on the front face of the Strike Stile and then into the Bottom Rail. Reinstall the Bottom Guide Cover.

5 Adjustments

5.1 Adjust Height on Trail Door through Mill Cut Out

- There is a 4-1/2 inch cutout located on the Roller Track directly behind the Hanger Roller. Use a 1/2 inch Wrench and a 5/32 inch Allen Wrench to make adjustments.

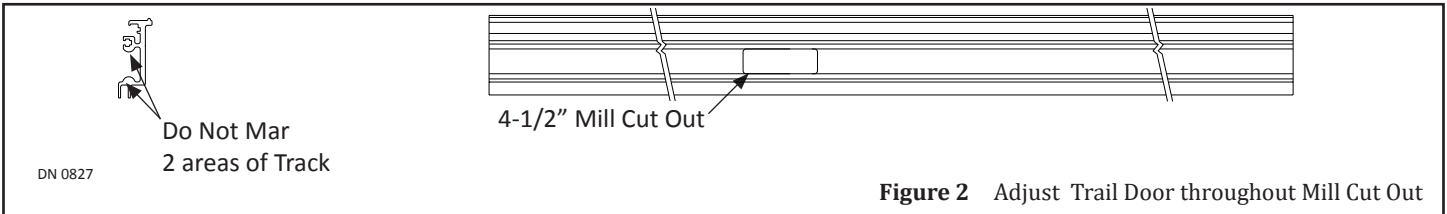


Figure 2 Adjust Trail Door throughout Mill Cut Out

5.2 Adjust Height on Lead Door

CAUTION

Do Not rotate the stud counter-clockwise. Doing so will unthread the Axle from the Hanger Roller assembly

- Measure the gap between the door and the floor. The gap must be between 3/16" to 7/16" (3/8" nominal).
- Loosen each Hanger Roller Nut. It is recommended to adjust the (2) Hanger Rollers located at each end of door first.
- Turn each axle clockwise to raise or lower the Sliding door. Retighten each Hanger Roller nut. Do not overtighten.
- Loosen each Anti-Rise Roller nut. Turn each axle clockwise until each Anti-Rise Roller almost makes contact with the top of Roller Track. Gap should be about the same thickness of a credit card. Retighten each Anti-Rise Roller nut.

5.3 Adjust Preload

CAUTION

Glass must be installed first before adjusting Preload on Slide Door.

CAUTION

When a Preload Block is shifted, it will be necessary to gently tap on one end of the Interface Leg (located inside the Carrier) until it is properly recentered.

- Support the weight of sliding door. Breakout sliding door approximately 75 degrees. Check for door sag.
- Go to the Preload Block located inside the Top Rail. Loosen (2) Locking Bolts.
- Go to the back edge of Pivot Stile. Reduce door sag by tightening the 5/16 inch Adjustment Set Screw with a 5/32 inch Allen Wrench.
 - The door should lift without having to be manually lifted.
 - Do not allow the Adjusting Set Screw to protrude more than 5/32 inch past the end of stile.
 - If an optional 1/2 inch Adjustment Set Screw provided by NABCO is deemed necessary, it could mean the Preload is misaligned. Go to Section 4.3 before replacing the 5/32 inch Adjustment screw.

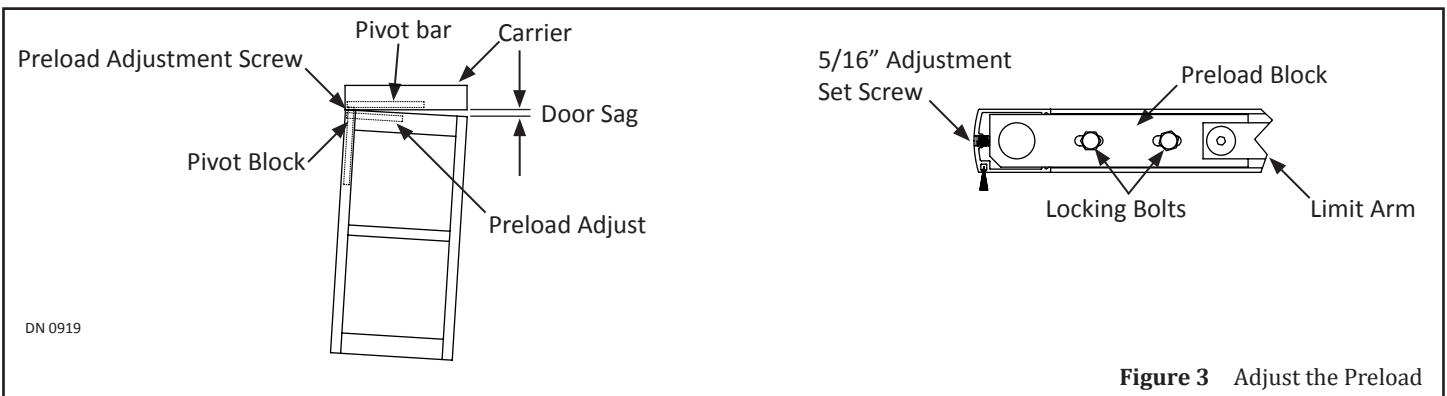
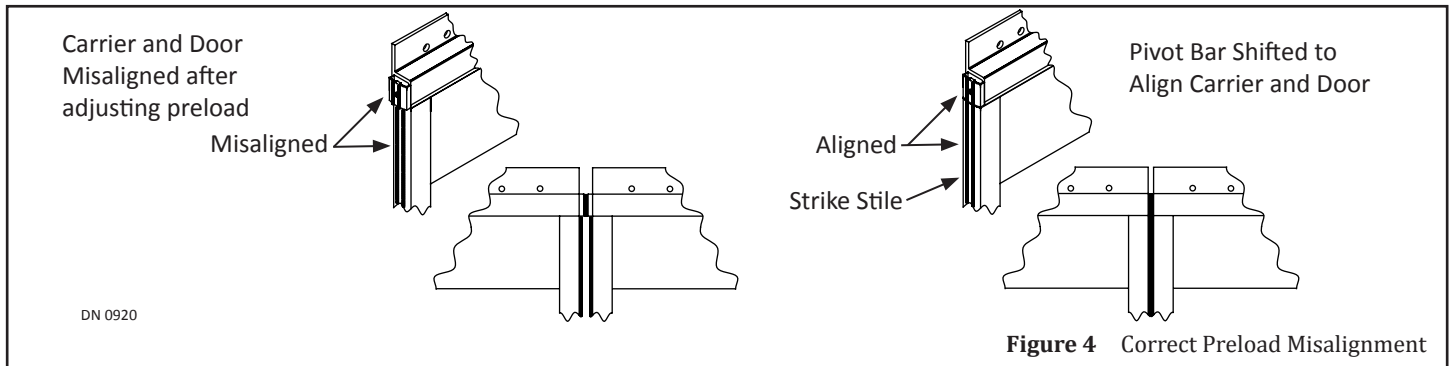


Figure 3 Adjust the Preload

5.4 Correct Preload Misalignment

- Check to see if misalignment exists on the Strike end of the Door and Carrier.
- Loosen the Allen head fasteners on the Pivot bar that is located inside the Carrier. Slide the Pivot bar until the door and Carrier are properly aligned.

3. Verify that the Panic Catch inside the Top Rail and the Carrier are still aligned. If not, loosen the 5/16 inch set screw to align the Carrier Panic Catch with the Top Rail Panic Catch.



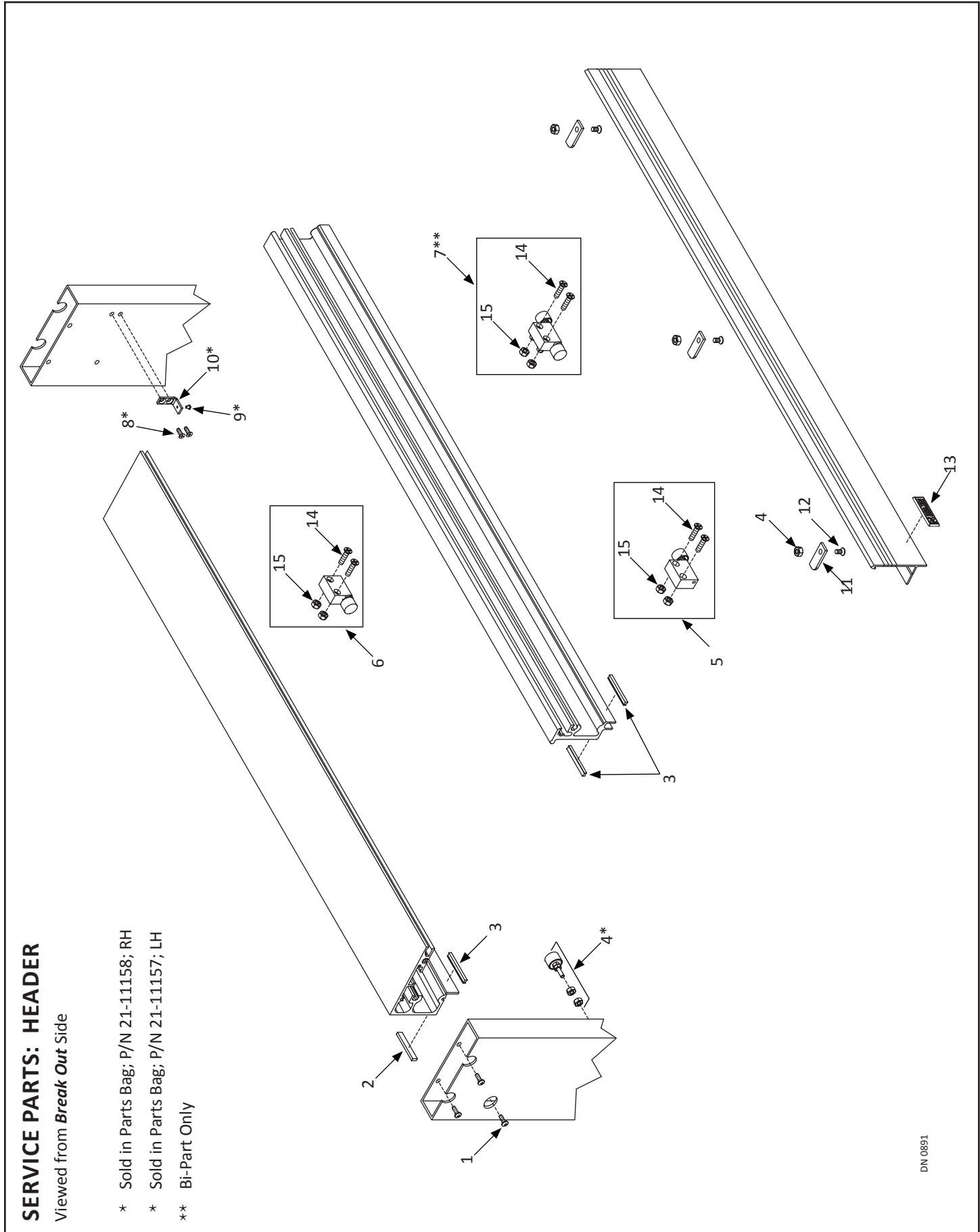
5.5 Adjust the Nose Caster

Note: Nose Casters are pre-installed for Sliding Doors that are 54 inches Wide (or greater) and/or over 200 pounds.

1. Loosen the #8-32 Set Screw.
2. Position the Wheel so it is perpendicular to the Bottom Rail.
3. Retighten the #8-32 Set Screw.
4. Break open the Slide door. Ensure the Slide door does not scrape the floor. If it does lower the Nose Caster further.

5.6 Adjust the Trail Door Bumper

1. Go to the Nut Chase located inside the Header. Locate the Trail Door Bumper.
2. Slide the Trail door Bumper to the left or to the right of the Nut Chase until the Strike Stile (on the Trail door) properly overlaps the Pivot Stile (on Lead door): 4.25 inches for Medium Stiles; 2.25 inches for Narrow Stiles.

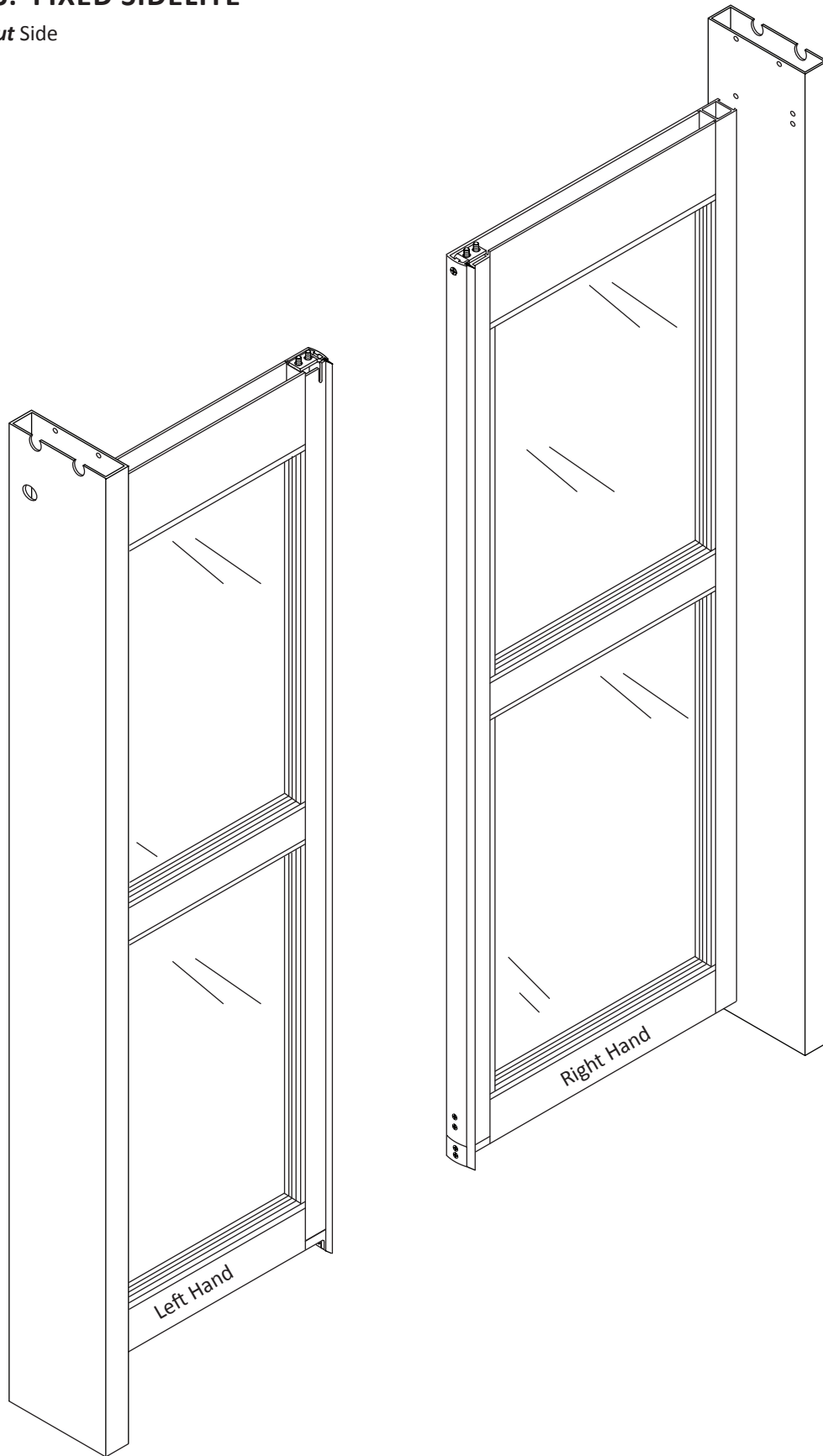


DN 0891

Header				
Item	Part	Finish/Sizes/Notes	Description	
1	24-0015-61		RHMS,1/4-20 X 3/4" PHIL, TYPE F, ZN	
2	14-8161-01	Smoke Seal Only	TAPE, .25 X .50 FOAM	
3	14-2279-05	Smoke Seal Only	PILE WEATHERING, BLK, .45 TALL, W/ ADHES	
4	12-8233		DOOR STOP ASSY JAMB MOUNTD-SPECIAL	
5	12-10714	RH	END STOP ASSEMBLY - RH	
6	12-10829	LH	END STOP ASSEMBLY - LH	
7	12-11107	Bi-Part	DOOR STOP ASSEMBLY CENTER -BIPART	
8	24-0011-70		FHMS, 1/4-20 X 7/16", PHIL, UND, ZN	
9	24-0015-22		RHMS,#8-32 X 1/4", PHIL, ZN	
10	14-10727		CLIP, COVER	
11	14-10710		RAIL CLAMP, TELESCOPIC	
12	24-0011-12		FHMS, 1/4-20 X 1/2", PHIL, ZN	
13	14-9199		NAMEPLATE, ADHESIVE BACKED	
14	24-0011-09		FHMS,1/4-20 X 1,PHILLIPS	
15	24-0021-14		HEX NUT, 1/4-20, ZN	

SERVICE PARTS: FIXED SIDELITE

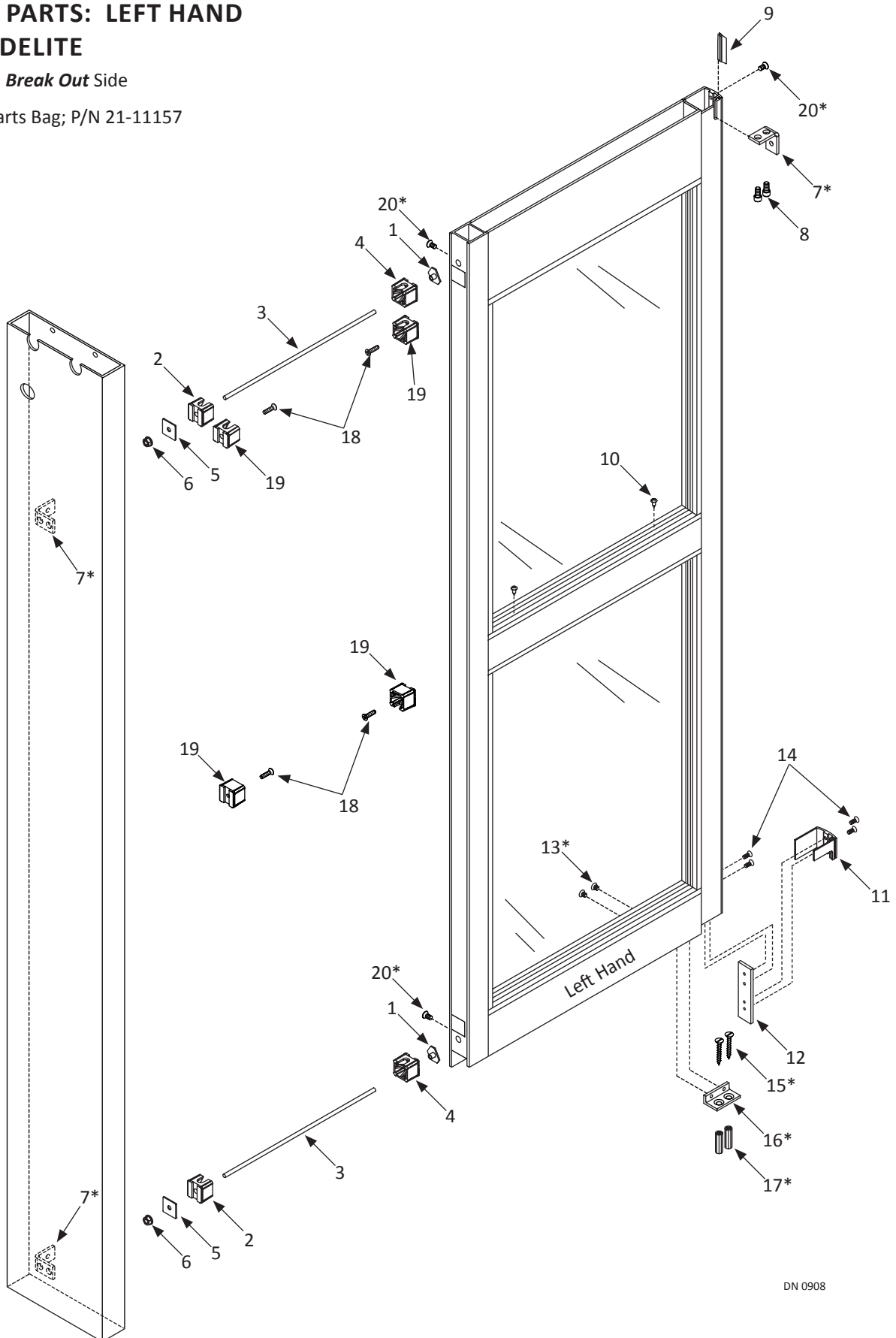
Viewed from *Break Out* Side



SERVICE PARTS: LEFT HAND FIXED SIDELITE

Viewed from *Break Out* Side

* Sold in Parts Bag; P/N 21-11157

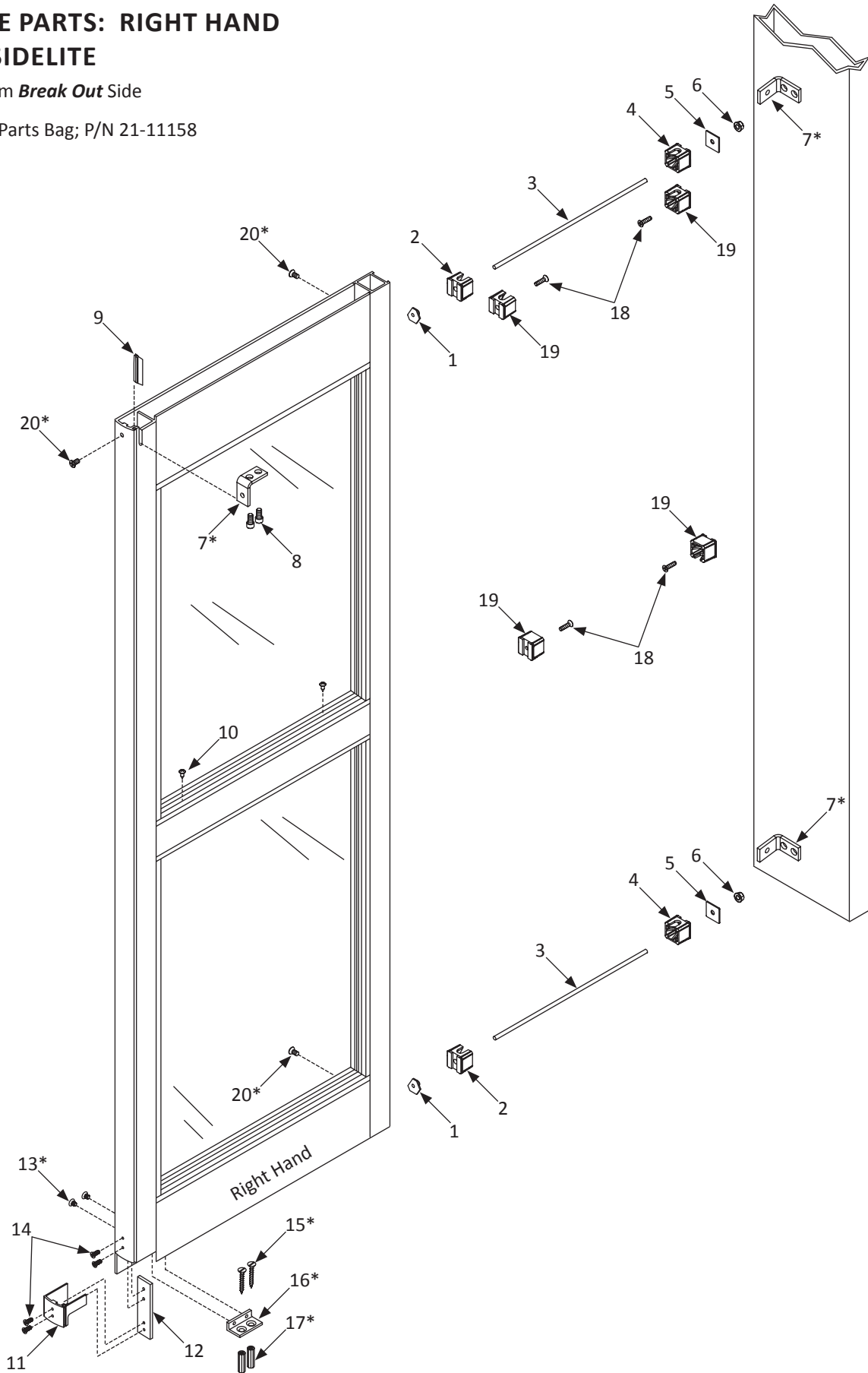


DN 0908

SERVICE PARTS: RIGHT HAND FIXED SIDELITE

Viewed from *Break Out* Side

* Sold in Parts Bag; P/N 21-11158

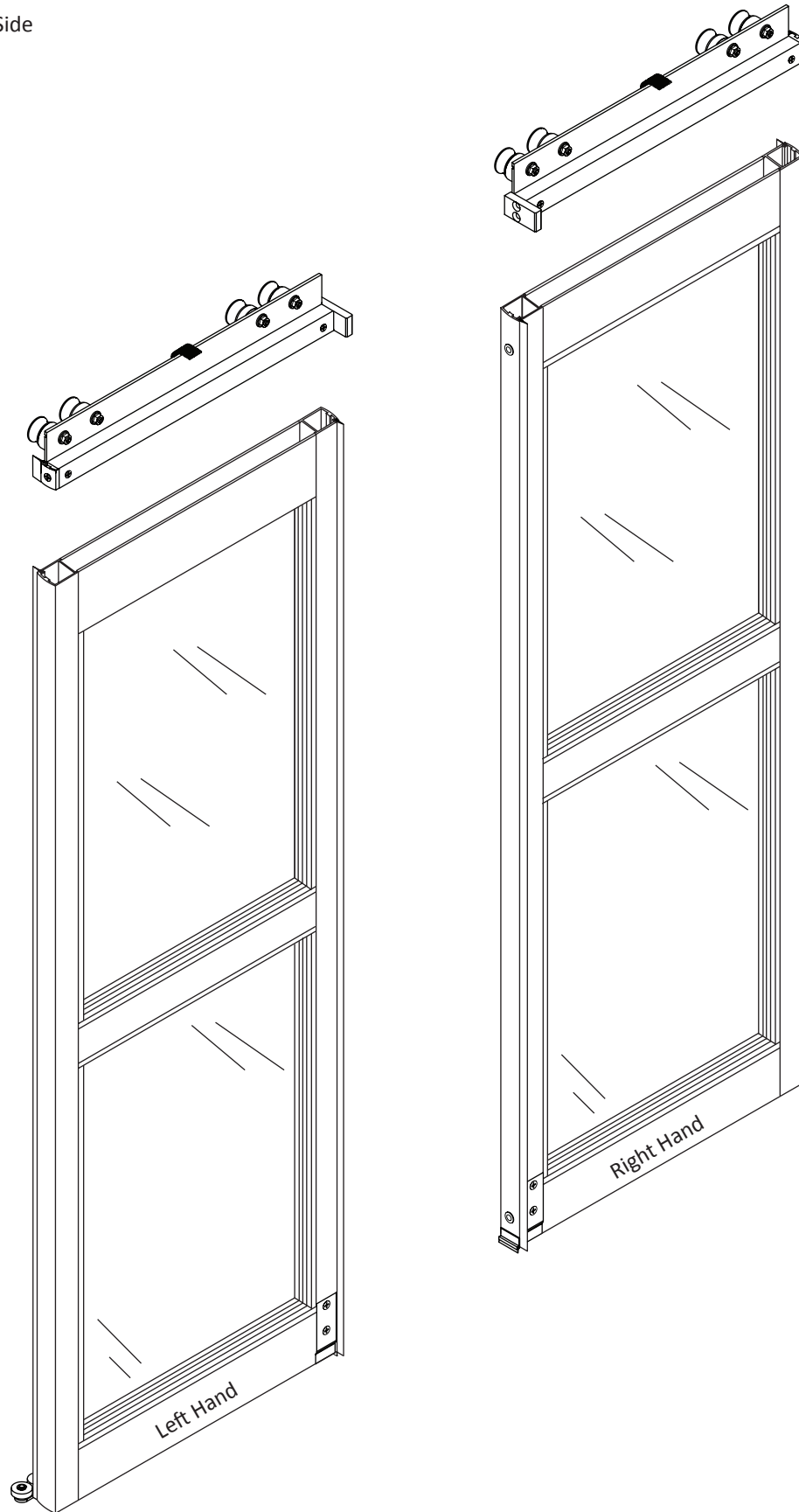


DN 0909

Fixed Sidelite			
Item	Part	Finish/Sizes/Notes	Description
1	14-9279		OFFSET TEE NUT, 3/8"-16
2	24-9504		CLIP, MUNTIN BAR - RAIL .386 HOLE
3	14-3624		THREADED ROD, 3/8"-16 - ZINC PLATED
4	24-9503		CLIP, MUNTIN BAR - RAIL .500 HOLE
5	14-9225		BACKING PLATE, TIE ROD - DOOR ASSEMBLY
6	24-0021-21		NUT, WHIZLOCK, 3/8-16, ZN
7	14-11420		BRACKET, MOUNTING
8	24-0010-05		SHCS, 1/4-20 X 1/2"
9	14-5592-01	Gray	WEATHER STRIP - 9/16 IN VINYL FIN, GRAY
	14-5592-02	Black	WEATHER STRIP - 9/16 IN VINYL FIN, BLACK
10	24-0094-01		PHSMS, 10 X 1/2", PHIL, TYPE A
11	14-11155-01	LH/Clear	COVER BOTTOM GUIDE FIXED PANEL GT2125TL
	14-11155-02	LH/Dark Bronze	COVER BOTTOM GUIDE FIXED GT2125TL 313
	14-11156-01	RH/Clear	COVER BOTM GUIDE FIX PANEL GT2125TR 204
	14-11156-02	RH/Dark Bronze	COVER BOTM GUIDE FIX PANEL GT2125TR 313
12	14-10755		BRACKET, ROLLER COVER ATTACH 2125T
13	24-0011-69	Zinc	FHMS,10-24 X 1/4", PHIL, UND, ZN
	24-0011-135	Black Oxide	FHMS,10-24 X 1/4", PHIL, UND, BLK OX
14	24-0011-03	Zinc	FHMS,10-24 X 1/2", PHIL, ZN
	24-0011-19	Black Zinc	FHMS,10-24 X 3/4", PHIL, BLK ZN
15	24-0031-04		FHSMS, #14 X 1-1/2", SLOT, TYPE A
16	14-10756		FLOOR BRACKET, TELESCOPIC FIXED SIDELITE
17	14-1018	Blue	ANCHOR - PLASTIC #14 X 1 BLUE
18	24-4941-02		FHMS, 1/4-20 X 1", PHIL, TRILOBE, ZN
19	24-9502		CLIP, MUNTIN BAR - RAIL .261 HOLE
20	24-0011-12	Zinc	FHMS, 1/4-20 X 1/2", PHIL, ZN
	24-0011-76	Black Oxide	FHMS,1/4-20 X 1/2", PHIL, BLK OX

SERVICE PARTS: TRAIL DOOR

Viewed from *Break Out* Side

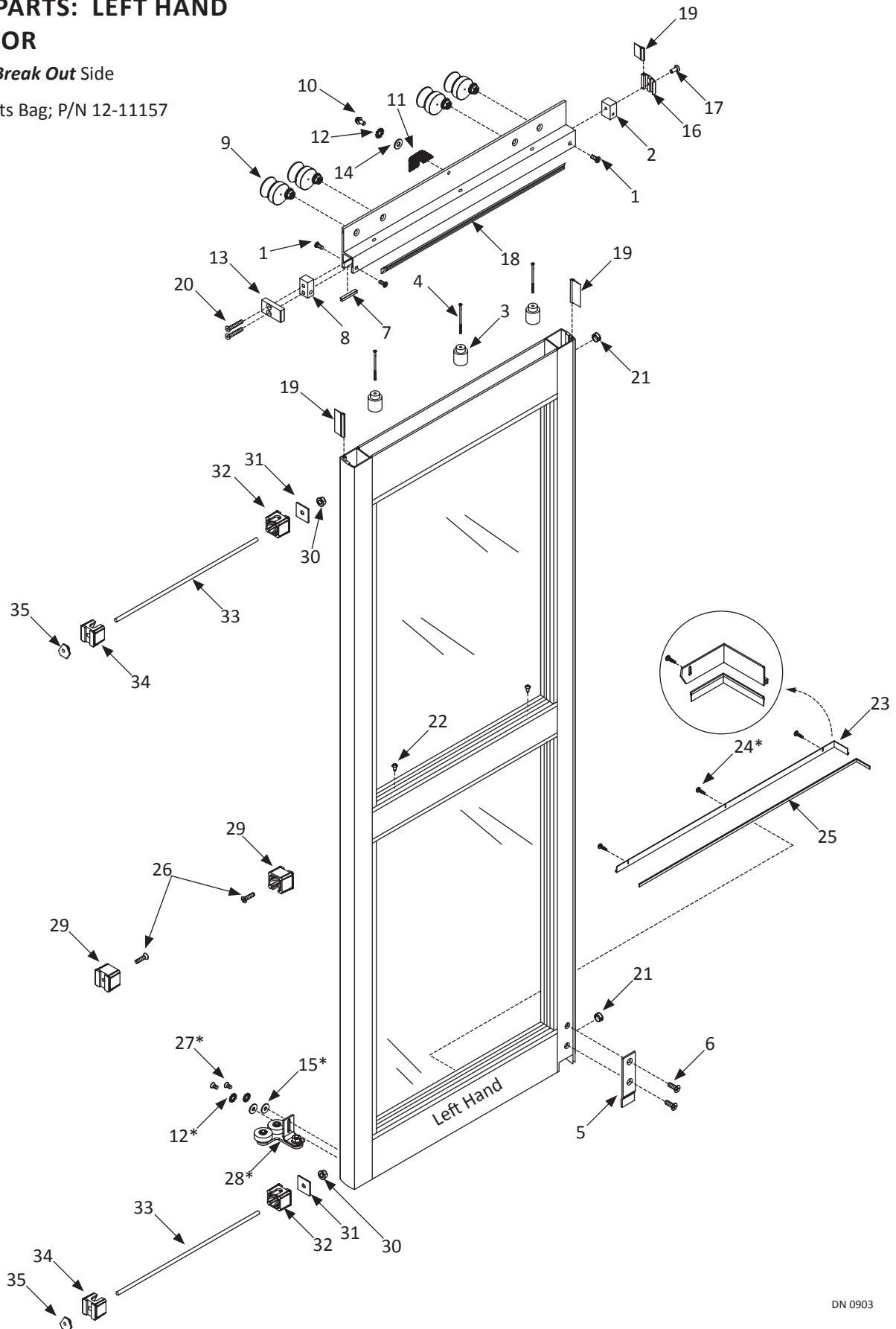


DN 0905

SERVICE PARTS: LEFT HAND TRAIL DOOR

Viewed from **Break Out** Side

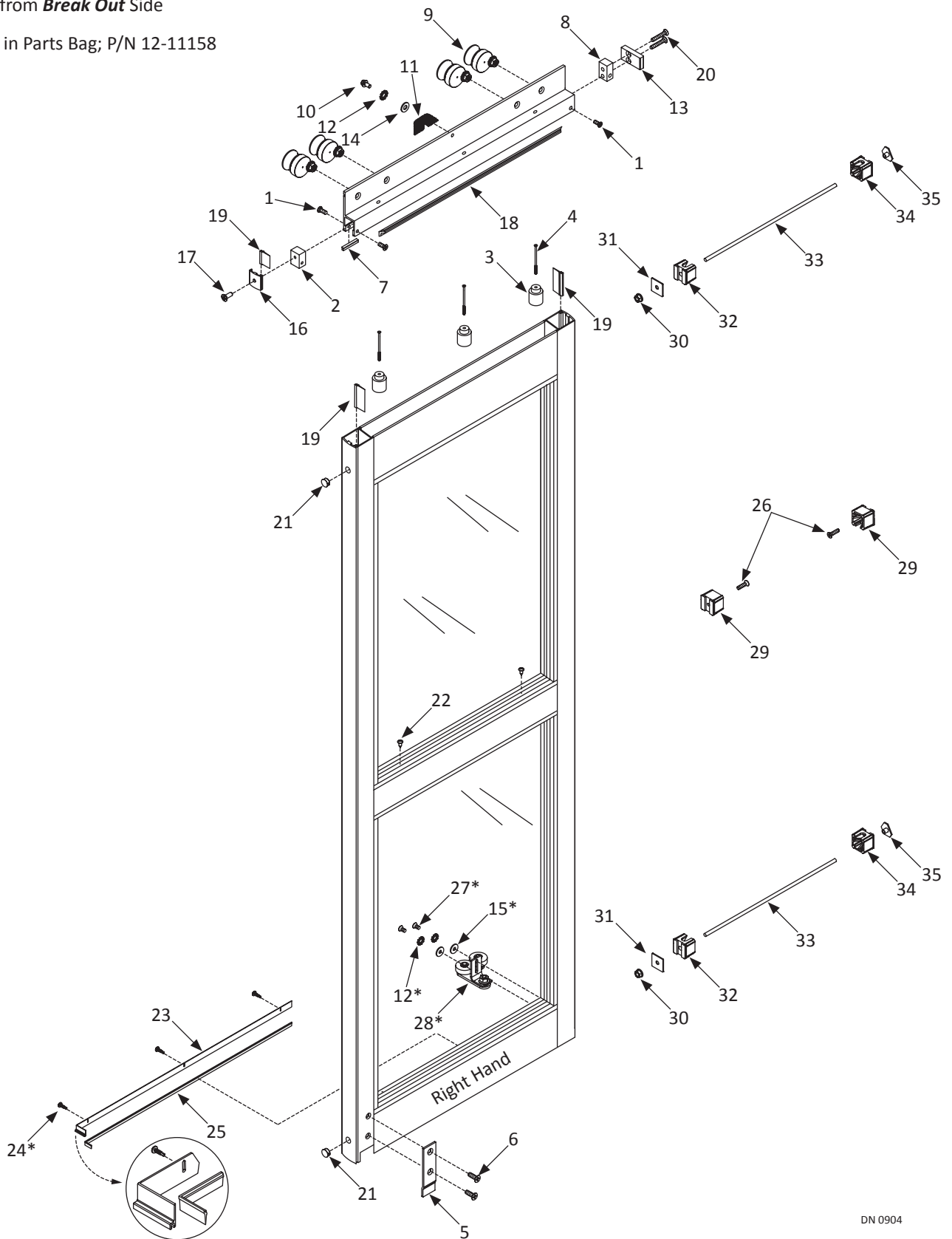
* Sold in Parts Bag; P/N 12-11157



SERVICE PARTS: RIGHT HAND TRAIL DOOR

Viewed from *Break Out* Side

* Sold in Parts Bag; P/N 12-11158



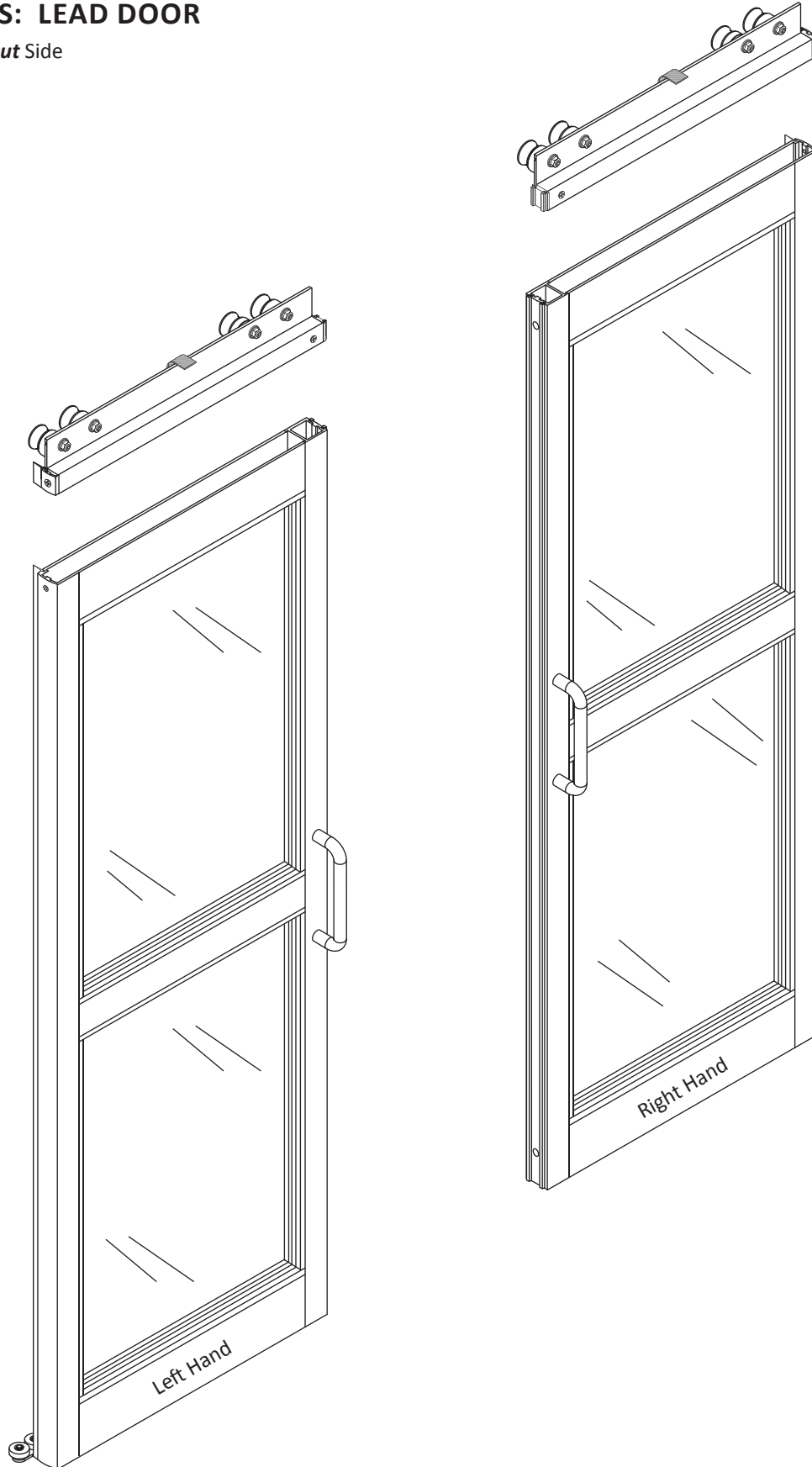
DN 0904

Trail Door			
Item	Part	Finish/Sizes/Notes	Description
1	24-0011-71		FHCS, 1/4-20 X 1 1/4", BLK OX, GRADE 8
2	14-10245		MOUNT BLOCK,END CAP-TRAIL DOOR
3	14-5940		ADAPTER BLOCK, NO PANIC DOOR - SLIDER
4	24-0011-115		FHMS,1/4-20 X 5", PHIL, ZN
5	14-9047-01	Clear	COVER, BOTTOM GUIDE - ROLLER INSERT
	14-9047-02	Dark Bronze	COVER, BOTTOM GUIDE - ROLLER INSERT
6	24-0011-13		FHMS, 1/4-20 X 3/4", PHIL, ZN
7	14-2279-04	Smoke Units Only	PILE WEATHERING, BLK, .20 TALL, CARRIER
8	14-12065		STRIKE MOUNTING BLOCK - COME ALONG
9	12-10027		30mm HANGER ROLLER & HUB SUBASSY
10	24-0014-39		HWHMS, 1/4-20 X 3/8", SLOT, GREEN
11	14-10907-01		STATIC ARRESTOR STRIP 4"
12	24-0019-05		1/4" EXTERNAL STAR WASHER
13	14-12066-01	Clear	STRIKE BRACKET - COME ALONG BRACKET 204
	14-12066-02	Dark Bronze	STRIKE BRACKET - COME ALONG BRACKET 313
14	24-0017-46		WASHER, FLAT 1/4X5/8X.051/.080
15	24-0017-04		WASHER, 1/4 ID X 9/16 OD X .049 THK, STL
16	14-10561-01	Clear	END CAP, PIVOT - TRAIL DOOR MILLED 204
	14-10561-02	Dark Bronze	END CAP, PIVOT - TRAIL DOOR 313
17	24-0011-130		FHMS 10-32X1/2" PHIL TYP 23, UND, BLK ZN
	24-0011-131		FHMS, 10-32X1/2", PHIL, TYP 23, UND, ZN
18	24-9094-01	Clear	INTERFACE LEG - 204
	24-9094-02	Dark Bronze	INTERFACE LEG - 313
19	14-5592-01	Smoke Units Only/Gray	WEATHER STRIP - 9/16 IN VINYL FIN, GRAY
	14-5592-02	Smoke Units Only/Black	WEATHER STRIP - 9/16 IN VINYL FIN, BLACK
20	24-0011-71		FHCS, 1/4-20 X 1 1/4", BLK OX, GRADE 8
21	14-9511-04		PLUG, HOLE, .813 DIAMETER, BLK
22	24-0094-01		PHSMS, 10 X 1/2", PHIL, TYPE A
23	14-10659-01	Smoke Units Only/LH/Clear	WEATHERING HOLDER
	14-10659-02	Smoke Units Only/LH/Dark Bronze	WEATHERING HOLDER
	14-10660-01	Smoke Units Only/RH/Clear	WEATHERING HOLDER
	14-10660-02	Smoke Units Only/RH/Dark Bronze	WEATHERING HOLDER
24	24-0013-03	Smoke Units Only/Zinc	PHSMS, 6 X 1/2", PHIL, TEKS, ZN
	24-0013-04	Smoke Units Only/Black Zinc	PHSMS, 6 X 1/2", PHIL, TEKS, BLK ZN
25	14-3933-01	Smoke Units Only/Gray	WEATHERING GRAY VINYL 1 IN FIN
	14-3933-02	Smoke Units Only/Black	WEATHERING BLACK VINYL 1 IN FIN
26	24-4941-02		FHMS, 1/4-20 X 1", PHIL, TRILOBE, ZN
27	24-0014-02		HHCS, 1/4-20 X 3/4", ZN
28	21-9046-10	RH	BOTTOM GUIDE DBL RLR ASSY - RH
	21-9046-20	LH	BOTTOM GUIDE DBL RLR ASSY - LH
	21-13522-10	10 inch Bottom Rails Only/RH	BTM GUIDE DBL RLR ASSY 10" RAIL-RH
	21-13522-20	10 inch Bottom Rails Only/LH	BTM GUIDE DBL RLR ASSY 10" RAIL-LH

Trail Door			
Item	Part	Finish/Sizes/Notes	Description
29	24-9502		CLIP, MUNTIN BAR - RAIL .261 HOLE
30	24-0021-21		NUT, WHIZLOCK, 3/8-16, ZN
31	14-9225		BACKING PLATE, TIE ROD - DOOR ASSEMBLY
32	24-9504		CLIP, MUNTIN BAR - RAIL .386 HOLE
33	14-3624		THREADED ROD, 3/8"-16 - ZINC PLATED
34	24-9503		CLIP, MUNTIN BAR - RAIL .500 HOLE
35	14-9279		OFFSET TEE NUT, 3/8"-16

SERVICE PARTS: LEAD DOOR

Viewed from *Break Out* Side

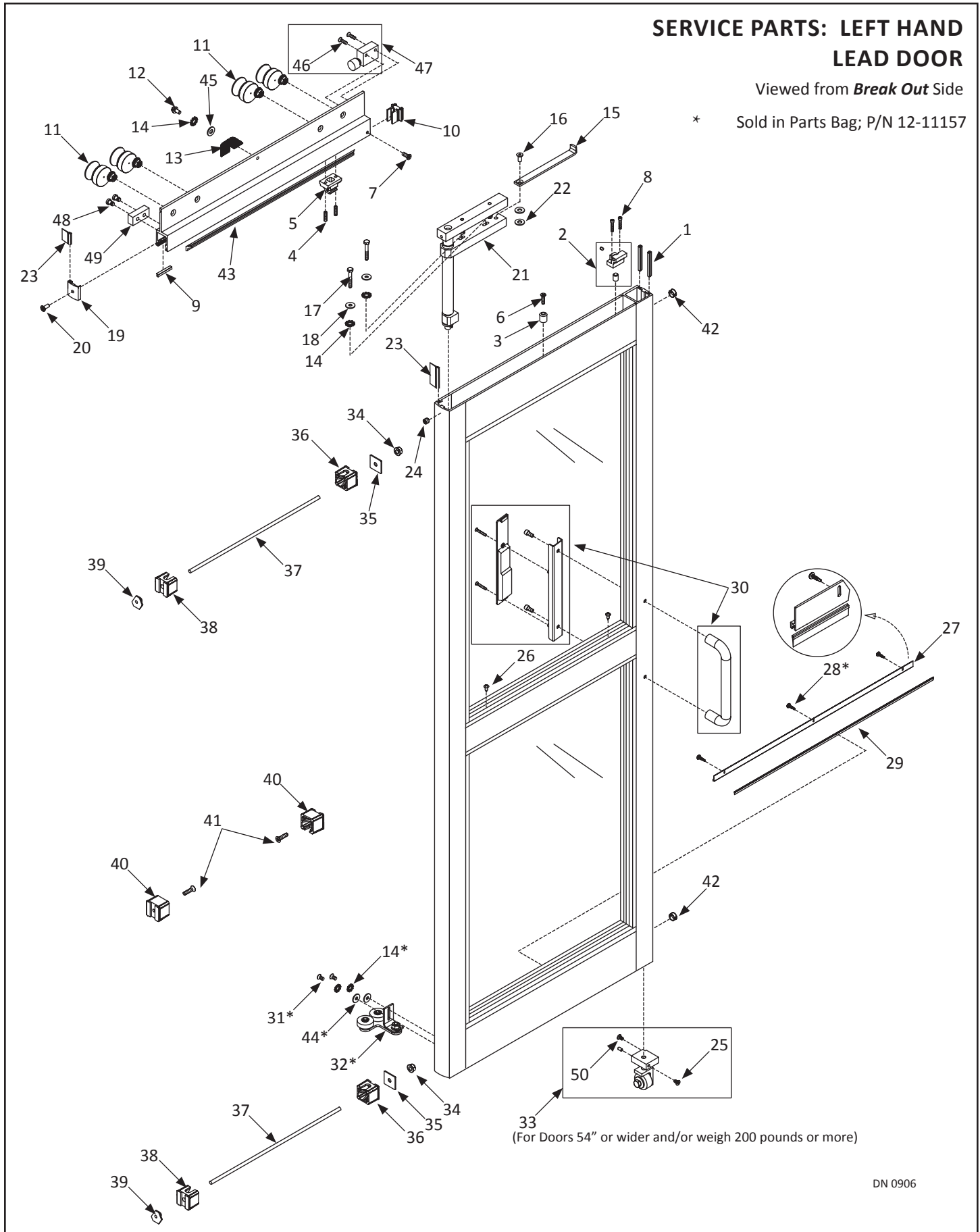


DN 0896

SERVICE PARTS: LEFT HAND LEAD DOOR

Viewed from **Break Out** Side

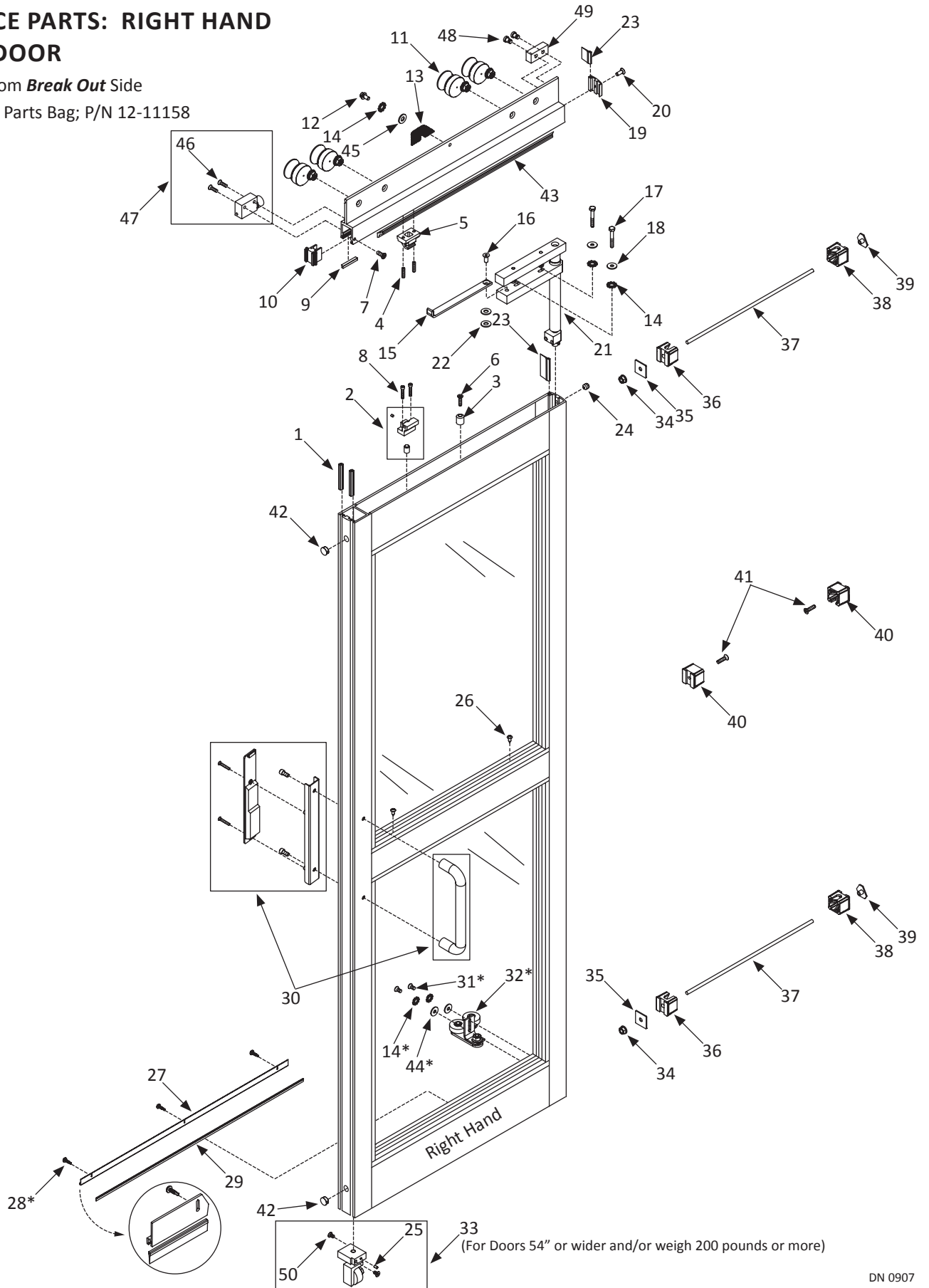
* Sold in Parts Bag; P/N 12-11157



SERVICE PARTS: RIGHT HAND LEAD DOOR

Viewed from **Break Out** Side

* Sold in Parts Bag; P/N 12-11158



Lead Door			
Item	Part	Finish/Sizes/Notes	Description
1	14-8632	Black	WEATHERING TRI POLY BLACK BULB
2	21-3468		ASM, PANIC CATCH, LOWER PART
3	14-8447		LIMIT ARM SUPPORT
4	24-0016-30		SHSS, 5/16-18 X 1.25", CUP
5	24-9483		PANIC CATCH, UPPER PART
6	24-4941-02		FHMS, 1/4-20 X 1", PHIL, TRILOBE, ZN
7	24-0011-105		FHMS, 10-32 X 1/2", PHIL, UND, ZN
8	24-0010-16		SHCS, 1/4-20 X 1 1/4"
9	14-2279-04	Smoke Units Only/Black	PILE WEATHERING, BLK, .20 TALL, CARRIER
10	12-10882-01	Clear	CAP, END STRIKE SIDE ASSY. BULB
	12-10882-02	Dark Bronze	CAP, END CARRIER STRIKE SIDE ASSB 313
11	12-10027		30mm HANGER ROLLER & HUB SUBASSY
12	24-0014-39	Green	HWHMS, 1/4-20 X 3/8", SLOT, GREEN
13	14-10907-01		STATIC ARRESTOR STRIP 4"
14	24-0019-05		1/4" EXTERNAL STAR WASHER
15	21-8396		LIMIT ARM, STD STILES
16	24-0011-77	Zinc	FHCS, 7/16-14 X 1", ZN
17	24-0014-12		HHCS, 1/4-20 X 1 3/4"
18	24-0017-04		WASHER, 1/4 ID X 9/16 OD X .049 THK, STL
19	14-10561-01	Clear	END CAP, PIVOT - TRAIL DOOR MILLED 204
	14-10561-01	Dark Bronze	END CAP, PIVOT - TRAIL DOOR MILLED 204
20	24-0011-130		FHMS 10-32X1/2" PHIL TYP 23, UND, BLK ZN
	24-0011-131		FHMS, 10-32X1/2", PHIL, TYP 23, UND, ZN
21	24-12002-10		CARRIER PVT ASSY NARROW STILE-UL PART
	24-12002-20		CARRIER PVT ASSY MED STILE-UL PART
	24-12002-30		CARRIER.PVT ASY - NRW STL-PNL <22.75-UL
	24-12002-40		CARRIER.PVT ASY - MD STL- PNL < 22.75"UL
22	24-0017-02		WASHER, 7/16 ID X 1 OD X .083 THK
23	14-5592-01	Smoke Units Only/Gray	WEATHER STRIP - 9/16 IN VINYL FIN, GRAY
	14-5592-02	Smoke Units Only/Black	WEATHER STRIP - 9/16 IN VINYL FIN, BLACK
24	24-0016-51		SHSS, 5/16-24 X 5/16" CUP PT, BLK OX
25	24-0016-33		SCREW, SET 5/16-24 X 1/2, CUP POINT
26	24-0094-01		PHSMS, 10 X 1/2", PHIL, TYPE A
27	24-9125-01	Smoke Units Only/Clear	WEATHERING EXT, 204
	24-9125-02	Smoke Units Only/Dark Bronze	WEATHERING EXT, 313
28	24-0013-03	Smoke Units Only/Zinc	PHSMS, 6 X 1/2", PHIL, TEKS, ZN
	24-0013-04	Smoke Units Only/Black Zinc	PHSMS, 6 X 1/2", PHIL, TEKS, BLK ZN
29	14-3933-01	Smoke Units Only/Gray	WEATHERING GRAY VINYL 1 IN FIN
	14-3933-02	Smoke Units Only/Black	WEATHERING BLACK VINYL 1 IN FIN
30	12-12958-01	Clear	KIT, ICU D/RECESSED HANDLE
	12-12958-02	Dark Bronze	KIT, ICU D/RECESSED HANDLE
31	24-0014-02	Zinc	HHCS, 1/4-20 X 3/4", ZN

Lead Door			
Item	Part	Finish/Sizes/Notes	Description
32	21-9046-10	RH	BOTTOM GUIDE DBL RLR ASSY - RH
	21-9046-20	LH	BOTTOM GUIDE DBL RLR ASSY - LH
	21-13522-10	10 inch Bottom Rails Only/RH	BTM GUIDE DBL RLR ASSY 10" RAIL-RH
	21-13522-20	10 inch Bottom Rails Only/LH	BTM GUIDE DBL RLR ASSY 10" RAIL-LH
33	14-5543-11	Clear	NOSE CASTER ASSY NARROW STILE
	14-5543-12	Dark Bronze	NOSE CASTER ASSY
	14-5543-21	Clear	NOSE CASTER ASSY MED. STILE
	14-5543-22	Dark Bronze	NOSE CASTER ASSY
34	24-0021-21		NUT, WHIZLOCK, 3/8-16, ZN
35	14-9225		BACKING PLATE, TIE ROD - DOOR ASSEMBLY
36	24-9504		CLIP, MUNTIN BAR - RAIL .386 HOLE
37	14-3624	Zinc	THREADED ROD, 3/8"-16 - ZINC PLATED
38	24-9503		CLIP, MUNTIN BAR - RAIL .500 HOLE
39	14-9279		OFFSET TEE NUT, 3/8"-16
40	24-9502		CLIP, MUNTIN BAR - RAIL .261 HOLE
41	24-4941-02	Zinc	FHMS, 1/4-20 X 1", PHIL, TRILOBE, ZN
42	14-9511-04		PLUG, HOLE, .813 DIAMETER, BLK
43	24-9094-01	Clear	INTERFACE LEG - 204
	24-9094-02	Dark Bronze	INTERFACE LEG - 313
44	24-0017-04		WASHER, 1/4 ID X 9/16 OD X .049 THK, STL
45	24-0017-46		WASHER, FLAT 1/4X5/8X.051/.080
46	24-0011-107	Zinc	FHMS, 1/4-20 X 7/8", PHIL, ZN
	24-0011-134	Black Zinc	FHMS, 1/4-20 X 7/8", PHIL, BLK ZN
47	12-12078-01	Clear	END STOP BRACKET-2125 2150TR ASSB RH 204
	12-12078-02	Dark Bronze	END STOP BRACKET-2125 2150TR ASSB RH 313
	12-12079-01	Clear	END STOP BRACKET-2125 2150TR ASSB LH 204
	12-12079-02	Dark Bronze	END STOP BRACKET-2125 2150TR ASSB LH 313
48	24-0010-50	Zinc	SHCS, 1/4-20 X 3/8", ZN, LOW
49	14-12068		BUMPER - COME ALONG BRACKET
50	24-0016-05		SHSS, 8-32 X 5/16, CUP PT