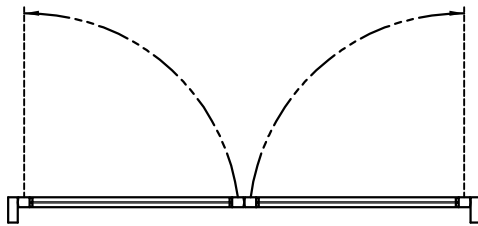
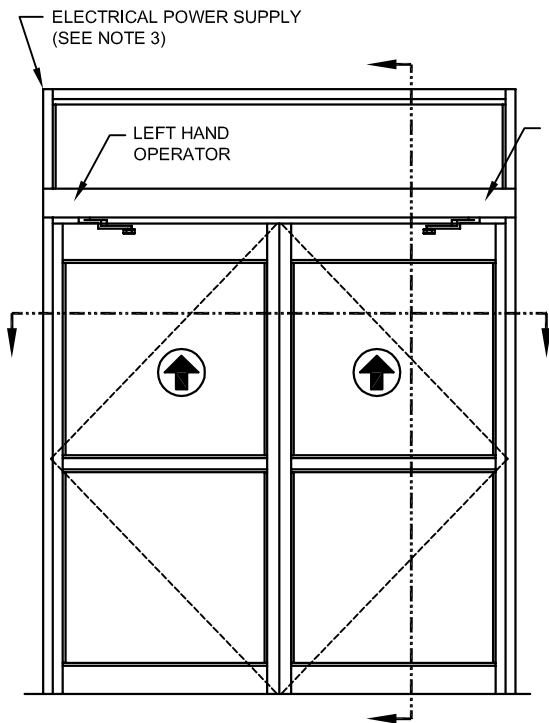




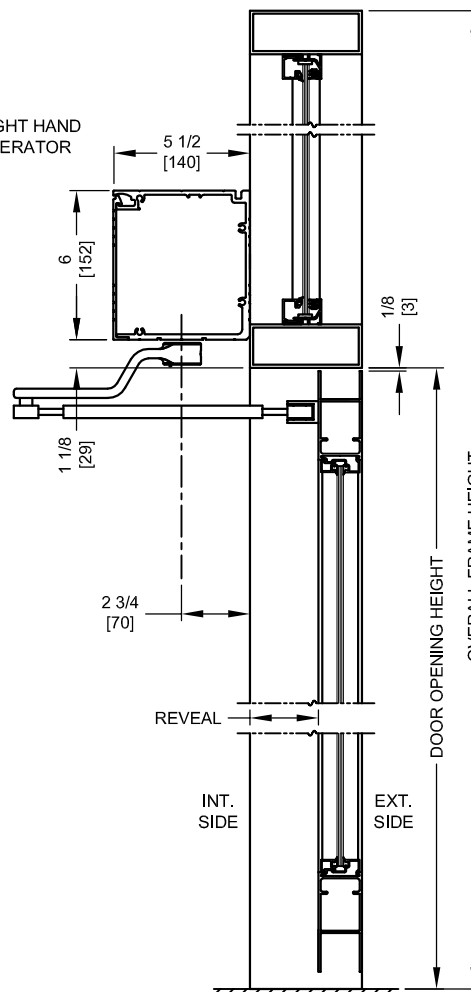
NABCO Entrances Inc.  
 S82 W18717 Gemini Drive Muskego, WI 53150  
 www.nabcoentrances.com 1-877-622-2694

JOB NAME: \_\_\_\_\_  
 LOCATION: \_\_\_\_\_  
 DISTRIBUTOR: \_\_\_\_\_  
 DOOR #: \_\_\_\_\_ DATE: \_\_\_\_\_  
 SHEET \_\_\_\_\_ OF \_\_\_\_\_

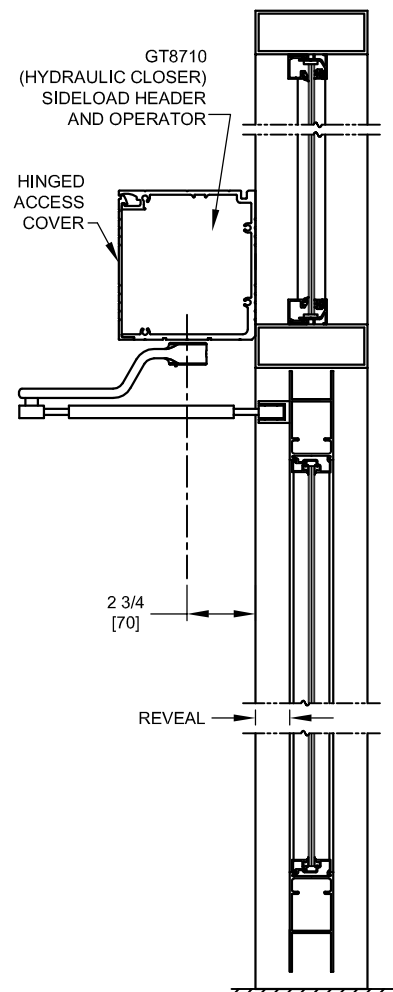
**GT8710-04**  
 SIDELOAD HEADER  
 SIMULTANEOUS  
 PAIR  
 OUTSWING



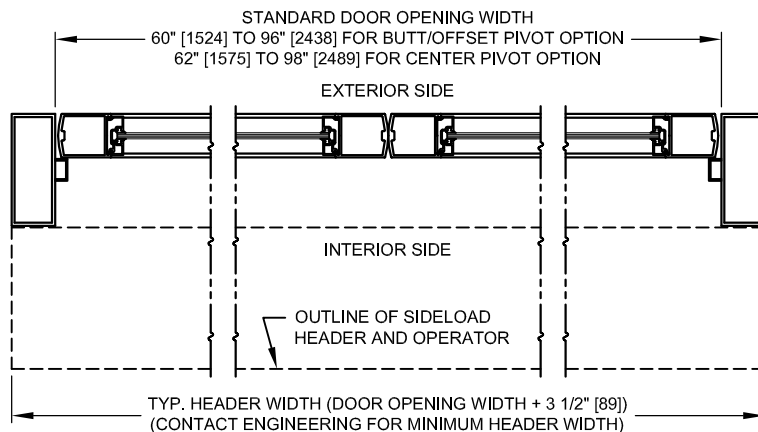
OPERATOR (INTERIOR) SIDE  
 INTERIOR ELEVATION/PLAN



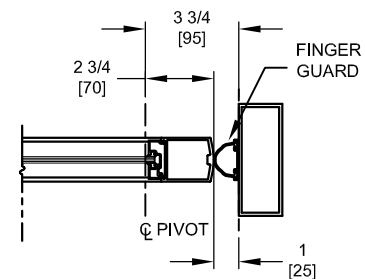
VERTICAL SECTION  
 BUTT/OFFSET PIVOT OPTION



VERTICAL SECTION  
 CENTER PIVOT OPTION



HORIZONTAL SECTION



HINGE JAMB AT CENTER  
 PIVOT OPTION

- NOTES:
1. GUIDE RAILS, MATS, PUSH PLATES AND VARIOUS ELECTRONIC DEVICES FOR THE DOOR ACTIVATION AND CONTROL ARE OPTIONAL. CONSULT WITH YOUR NABCO/GYRO TECH DISTRIBUTOR.
  2. DOORS AND FRAMES ARE NOT INCLUDED UNLESS NOTED.
  3. POWER TO HEADER WILL BE 115VAC, 5 AMP PER OPERATOR PROVIDED BY ELECTRICAL CONTRACTOR.
  4. STANDARD HARDWARE SUPPLIED WILL ACCOMMODATE DOOR THICKNESS OF 1 3/4" TO 2 1/4".
  5. APPLICATION ON BALANCE DOORS REQUIRES RELOCATION OF THE OPERATOR PIVOT.

**LOW ENERGY**