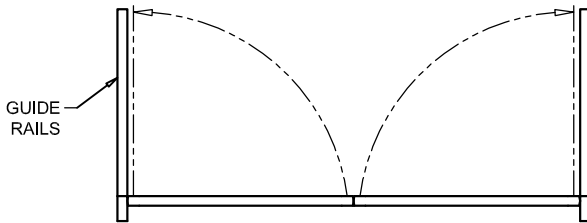
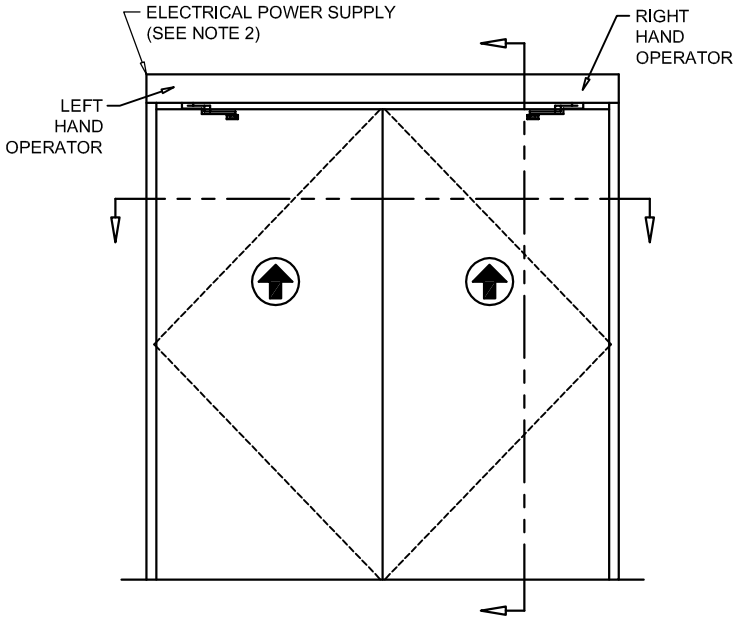




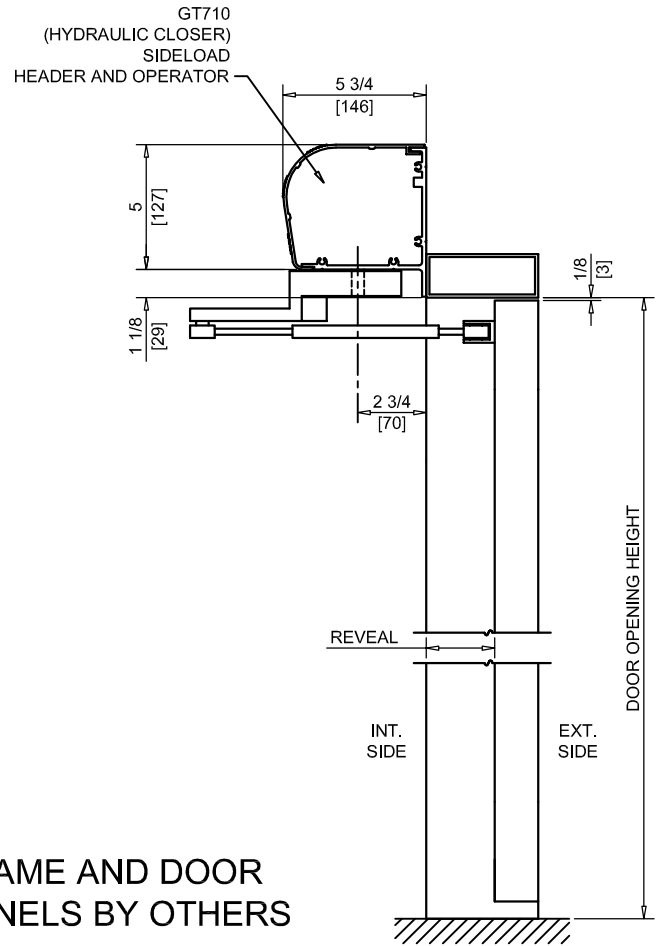
NABCO Entrances Inc.
 S82 W18717 Gemini Drive Muskego, WI 53150
 www.nabcoentrances.com 1-877-622-2694

JOB NAME: _____
 LOCATION: _____
 DISTRIBUTOR: _____
 DOOR #: _____ DATE: _____
 SHEET ____ OF ____

GT710-04
 SIDELOAD HEADER
 SIMULTANEOUS
 PAIR
 OUTSWING
 FIRE DOOR

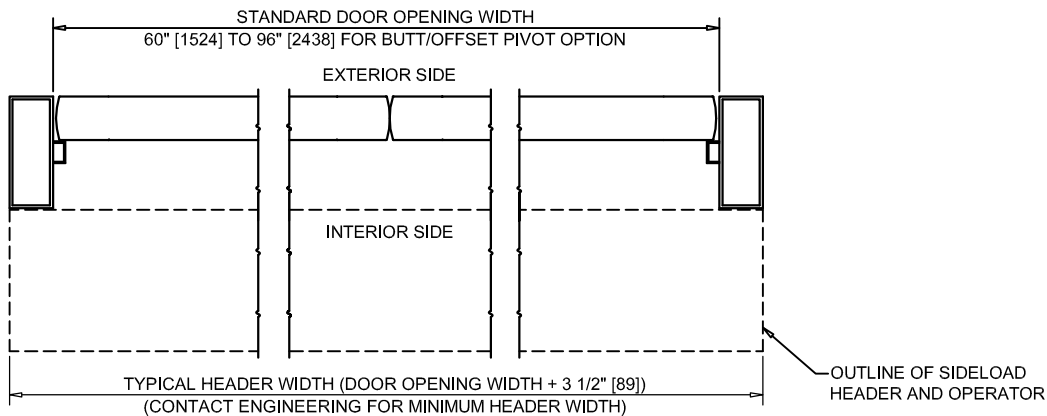


OPERATOR (INTERIOR) SIDE
 INTERIOR ELEVATION/PLAN



VERTICAL SECTION
 BUTT/OFFSET PIVOT OPTION

**FRAME AND DOOR
 PANELS BY OTHERS**



HORIZONTAL SECTION

NOTES:

1. GUIDE RAILS, MATS, PUSH PLATES AND VARIOUS ELECTRONIC DEVICES FOR THE DOOR ACTIVATION AND CONTROL ARE OPTIONAL. CONSULT WITH YOUR NABCO/GYRO TECH DISTRIBUTOR.
2. POWER TO HEADER WILL BE 115VAC, 5 AMP PER OPERATOR PROVIDED BY ELECTRICAL CONTRACTOR.
3. STANDARD HARDWARE SUPPLIED WILL ACCOMODATE DOOR THICKNESS OF 1 3/4" TO 2 1/4".
4. APPLICATION ON BALANCE DOORS REQUIRES RELOCATION OF THE OPERATOR PIVOT.