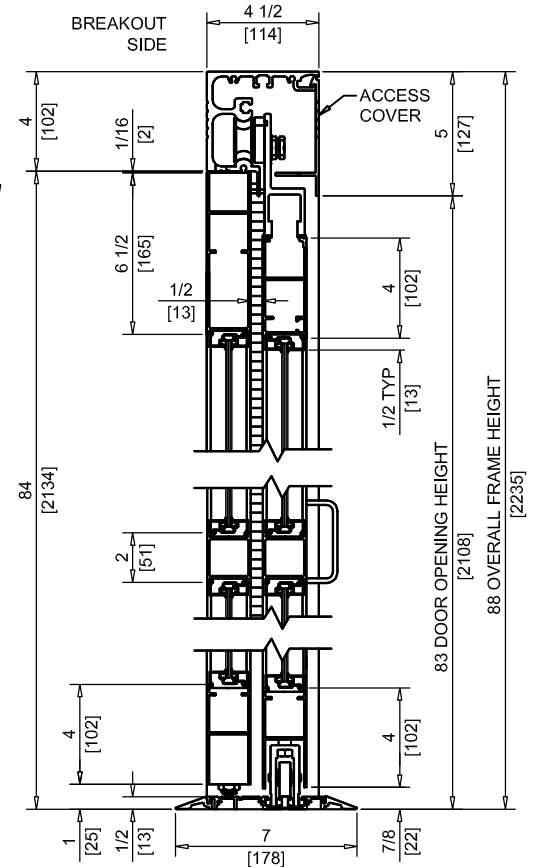
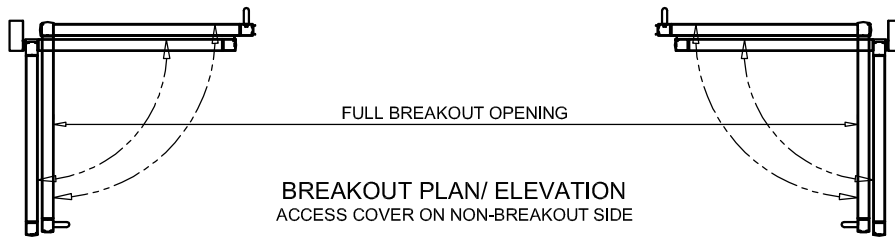
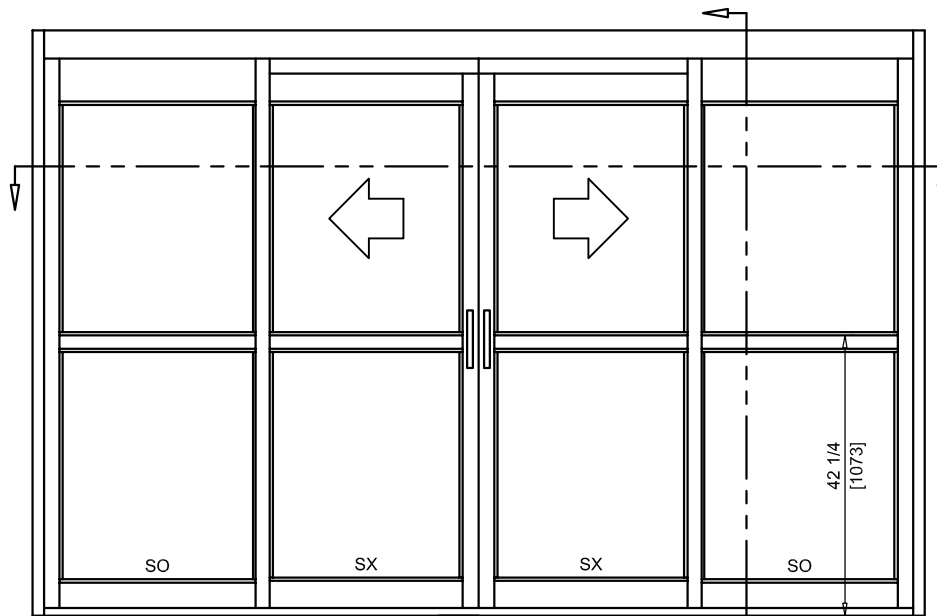




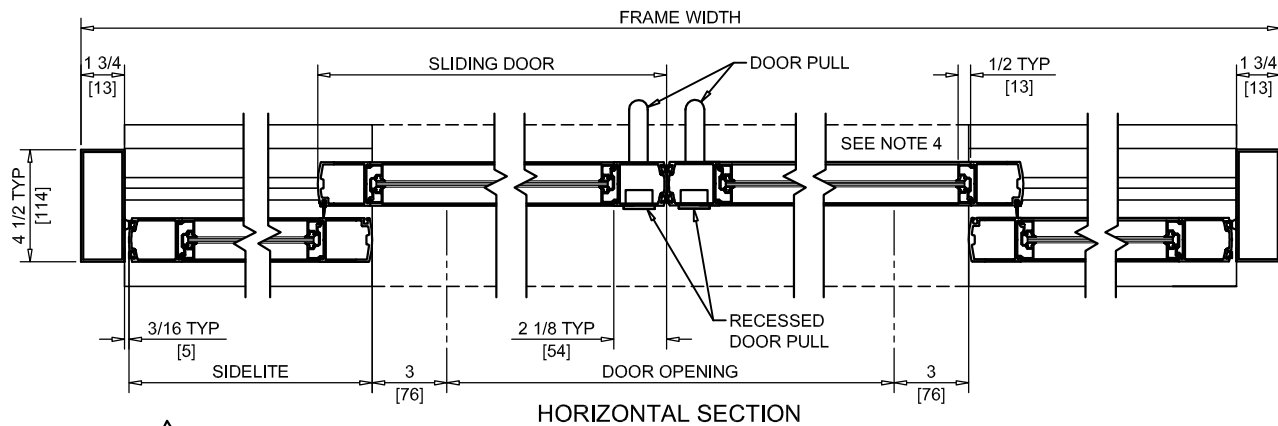
NABCO Entrances Inc.
 582 W18717 Gemini Drive Muskego, WI 53150
 www.nabcoentrances.com 1-877-622-2694

JOB NAME: _____
 LOCATION: _____
 DISTRIBUTOR: _____
 DOOR #: _____ DATE: _____
 SHEET _____ OF _____

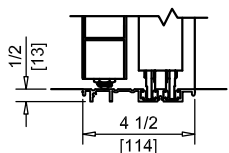
GT2150B
 BI-PART SLIDE
 FULL OPEN
 W/FLOOR TRACK



VERTICAL SECTION
 (WITH DOOR OPEN)



HORIZONTAL SECTION



RECESSED TRACK
 (OPTIONAL)

NOTES:

- "D" HANDLE PROVIDED ON NON BREAKOUT SIDE. RECESSED HANDLE IS PROVIDED ON BREAKOUT SIDE.
- BREAKOUT IN ANY POSITION.
- UNITS ARE HANDED FROM THE BREAKOUT SIDE.
- THRESHOLD IN DOOR OPENING IS OPTIONAL.
- VINYL WEATHERING IS STANDARD.
- CASTERS ARE REQUIRED ON ALL PANELS GREATER THEN 54" WIDE AND/OR 200 LBS OR MORE. UNITS REQUIRING CASTERS WILL HAVE REDUCED DOOR OPENING WIDTH.
- ROUGH OPENING EQUALS FRAME WIDTH +1/2" AND FRAME HEIGHT +1/4".
- SELF CLOSING AND HOLD OPEN (REQUIRES POWER TO HEADER) FEATURES OPTIONAL ON UNITS WITH SX PANELS UNDER 135 LBS.

DOOR OPENING	FULL BREAKOUT OPENING	FRAME WIDTH	SLIDING DOOR	SIDELITE
48" [1219]	99" [2515]	9'-3 1/2" [2832]	29 1/4" [743]	26 13/16" [681]
60" [1524]	123" [3124]	11'-3 1/2" [3442]	35 1/4" [895]	32 13/16" [833]
72" [1829]	147" [3734]	13'-3 1/2" [4051]	41 1/4" [1048]	38 13/16" [986]
84" [2134]	171" [4343]	15'-3 1/2" [4661]	47 1/4" [1200]	44 13/16" [1138]
96" [2438]	195" [4953]	17'-3 1/2" [5271]	53 1/4" [1353]	50 13/16" [1290]