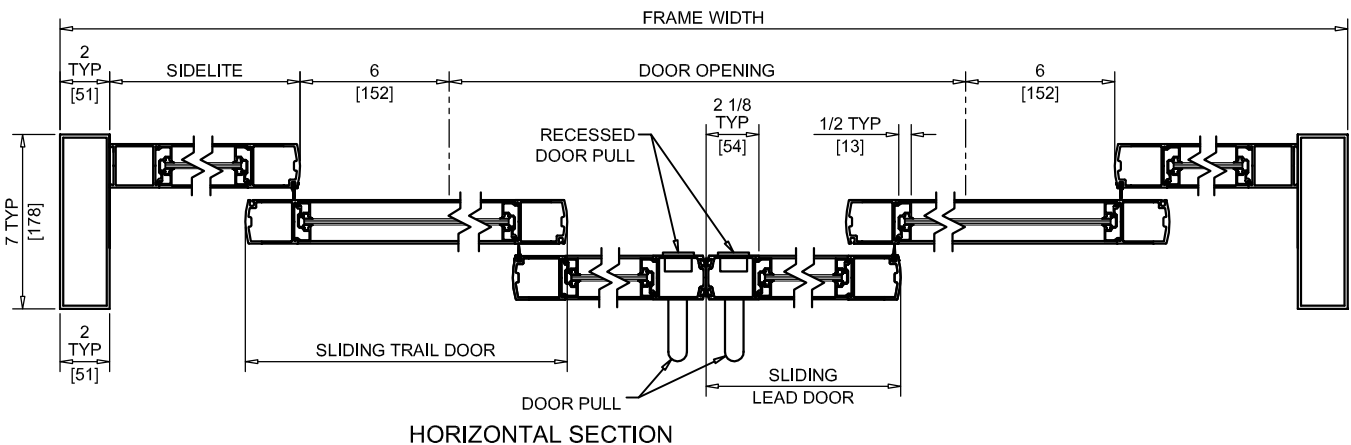
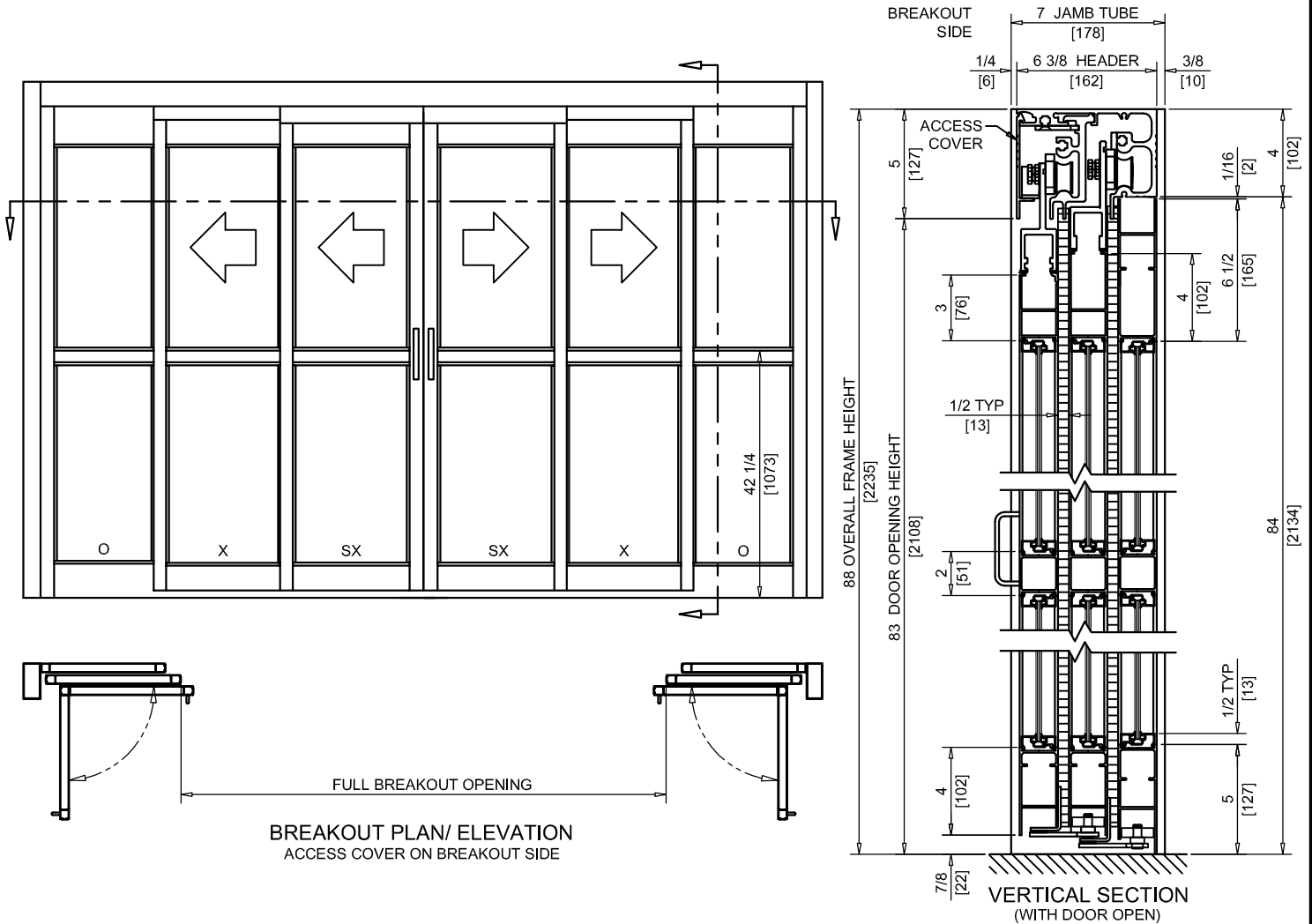




NABCO Entrances Inc.
 S82 W18717 Gemini Drive Muskego, WI 53150
 www.nabcoentrances.com 1-877-622-2694

JOB NAME: _____
 LOCATION: _____
 DISTRIBUTOR: _____
 DOOR #: _____ DATE: _____
 SHEET _____ OF _____

GT2125TB
 BI-PART SLIDE
 FIXED SIDELITE
 TRACKLESS
 TELESCOPIC



- NOTES:
- "D" HANDLE PROVIDED ON BREAKOUT SIDE. RECESSED HANDLE PROVIDED ON NON BREAKOUT SIDE.
 - NO FLOOR TRACK TO INTERFERE WITH TRAFFIC.
 - BREAKOUT IN ANY POSITION.
 - UNITS ARE HANDED FROM THE BREAKOUT SIDE.
 - VINYL WEATHERING IS STANDARD.
 - CASTERS ARE REQUIRED ON ALL PANELS GREATER THEN 54" WIDE AND/OR 200 LBS OR MORE.
 - ROUGH OPENING EQUALS FRAME WIDTH + 1/2" AND FRAME HEIGHT + 1/4".

	DOOR OPENING	FULL BREAKOUT OPENING	FRAME WIDTH	SLIDING LEAD DOOR	SLIDING TRAIL DOOR	SIDELITE
MIN.	49" [1245]	55" [1397]	8'-0" [2438]	17 1/2" [445]	17 1/2" [445]	15 1/2" [394]
MAX.	193" [4902]	199" [5055]	26'-0" [7925]	53 1/2" [1359]	53 1/2" [1359]	51 1/2" [1308]