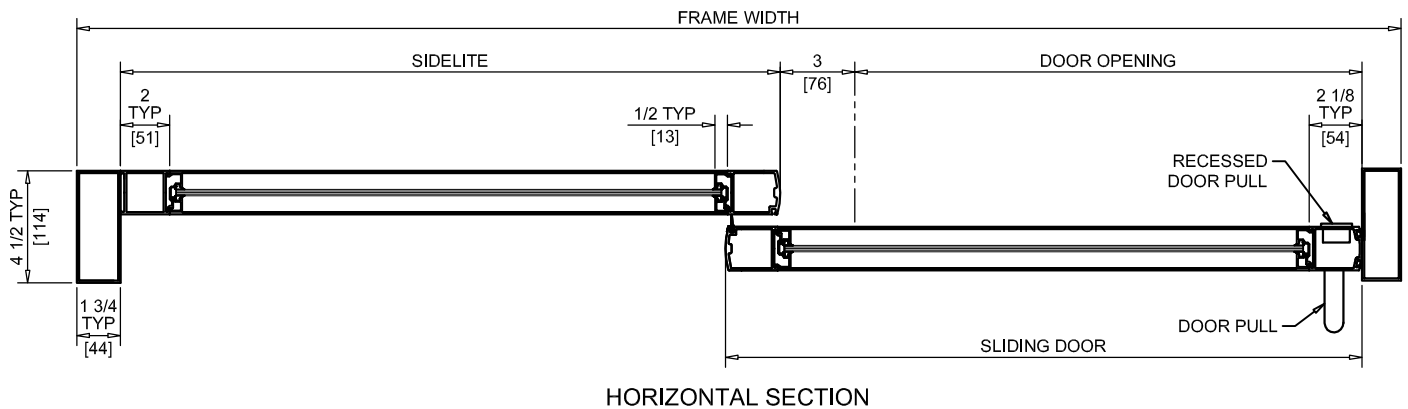
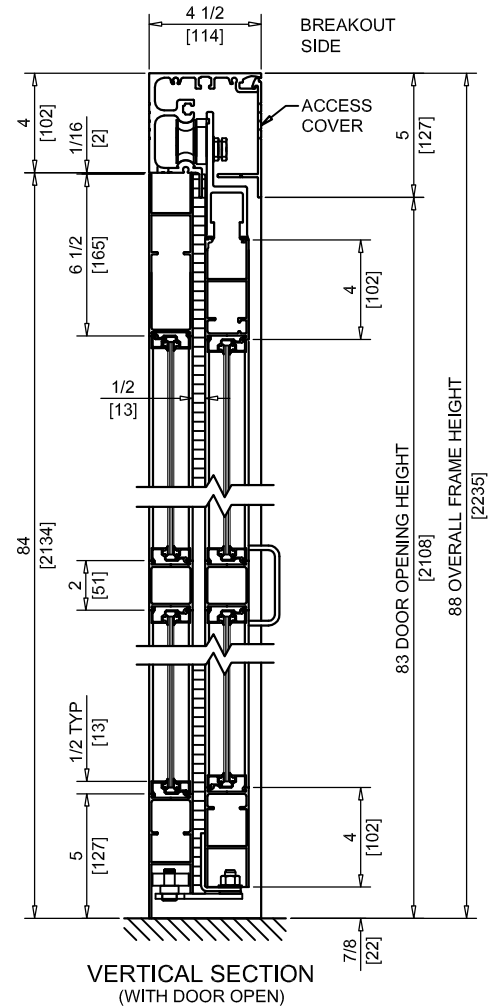
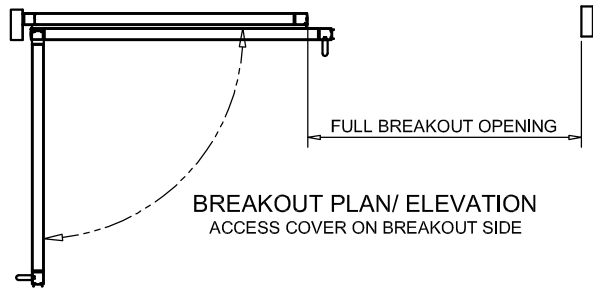
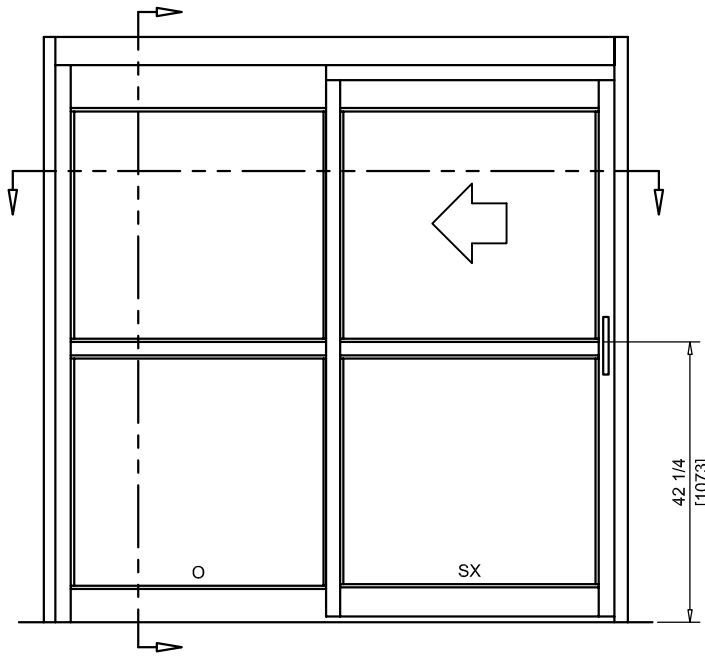




NABCO Entrances Inc.
 582 W18717 Gemini Drive Muskego, WI 53150
 www.nabcoentrances.com 1-877-622-2694

JOB NAME: _____
 LOCATION: _____
 DISTRIBUTOR: _____
 DOOR #: _____ DATE: _____
 SHEET _____ OF _____

GT2125L
 SINGLE SLIDE
 LEFT HAND
 FIXED SIDELITE
 TRACKLESS



NOTES:

- "D" HANDLE PROVIDED ON BREAKOUT SIDE. RECESSED HANDLE PROVIDED ON NON BREAKOUT SIDE.
- NO FLOOR TRACK TO INTERFERE WITH TRAFFIC.
- BREAKOUT IN ANY POSITION.
- UNITS ARE HANDED FROM THE BREAKOUT SIDE.
- VINYL WEATHERING IS STANDARD.
- CASTERS ARE REQUIRED ON ALL PANELS GREATER THEN 54" WIDE AND/OR 200 LBS OR MORE.
- ROUGH OPENING EQUALS FRAME WIDTH +1/2" AND FRAME HEIGHT +1/4".
- SELF CLOSING AND HOLD OPEN (REQUIRES POWER TO HEADER) FEATURES OPTIONAL ON UNITS WITH SX PANELS UNDER 135 LBS.

DOOR OPENING	FULL BREAKOUT OPENING	FRAME WIDTH	SLIDING DOOR	SIDELITE
36" [914]	39" [991]	6'-9 1/2" [2070]	41 1/4" [1048]	39" [991]
42" [1067]	45" [1143]	7'-9 1/2" [2375]	47 1/4" [1200]	45" [1143]
44" [1118]	47" [1194]	8'-1 1/2" [2477]	49 1/4" [1251]	47" [1194]
48" [1219]	51" [1295]	8'-9 1/2" [2680]	53 1/4" [1353]	51" [1295]