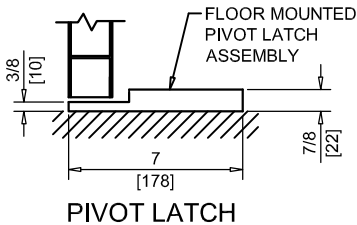
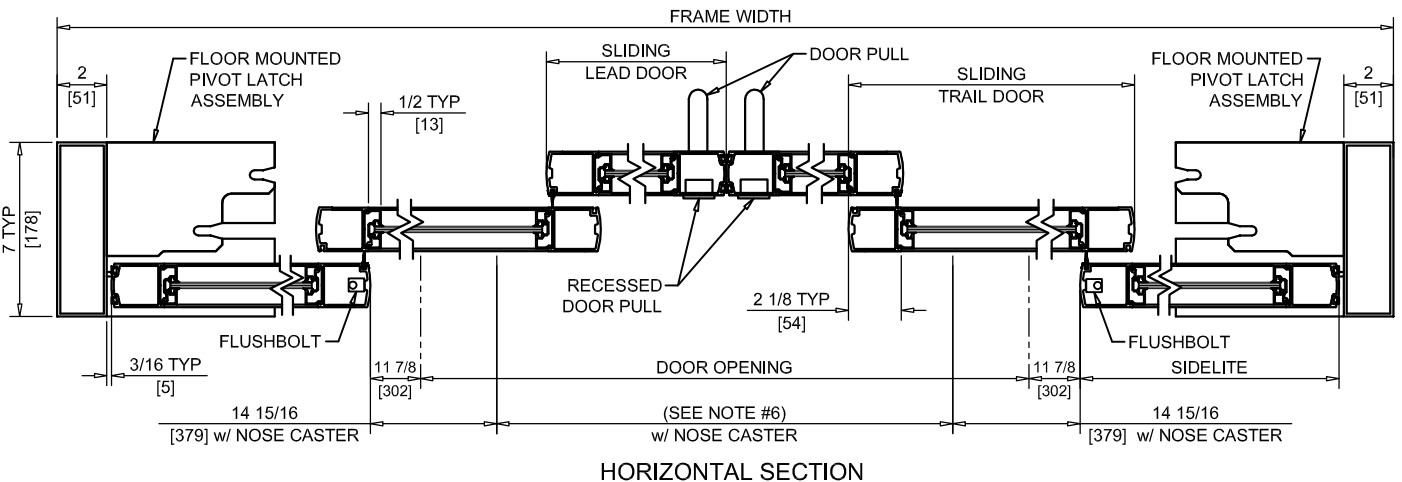
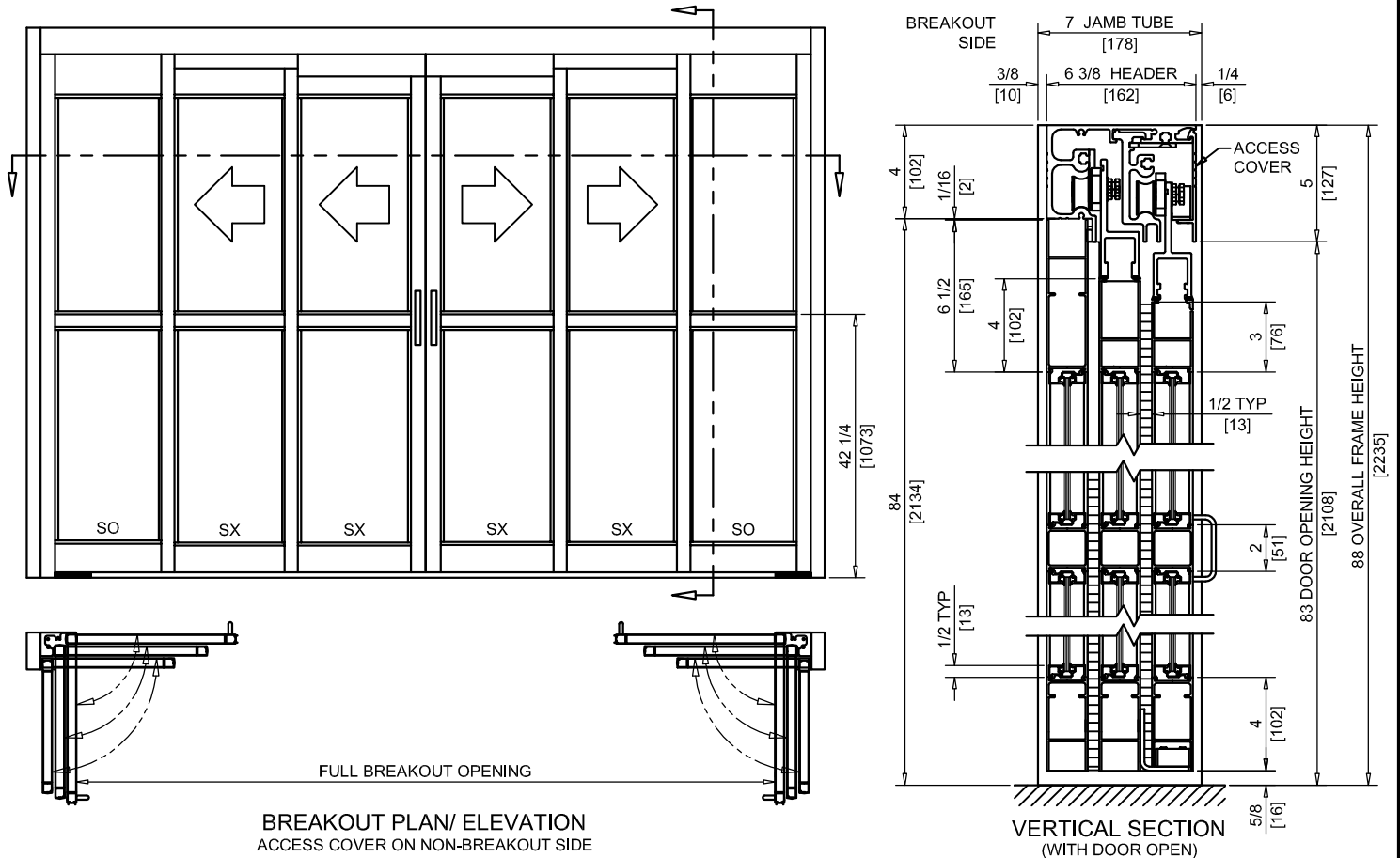




NABCO Entrances Inc.  
 S82 W18717 Gemini Drive Muskego, WI 53150  
 www.nabcoentrances.com 1-877-622-2694

JOB NAME: \_\_\_\_\_  
 LOCATION: \_\_\_\_\_  
 DISTRIBUTOR: \_\_\_\_\_  
 DOOR #: \_\_\_\_\_ DATE: \_\_\_\_\_  
 SHEET \_\_\_\_\_ OF \_\_\_\_\_

**GT2100TB**  
 BI-PART SLIDE  
 FULL OPEN  
 TRACKLESS  
 TELESCOPIC



**NOTES:**

- "D" HANDLE PROVIDED ON NON BREAKOUT SIDE. RECESSED HANDLE PROVIDED ON BREAKOUT SIDE. UNITS REQUIRING "D" HANDLES ON BOTH SIDES WILL HAVE REDUCED DOOR OPENING WIDTH BY 3" [76]. DOOR AND SIDELITE WIDTHS ARE MODIFIED FOR TWO "D" HANDLE APPLICATIONS.
- NO FLOOR TRACK TO INTERFERE WITH TRAFFIC.
- BREAKOUT ONLY FROM FULL OPEN POSITION AFTER RELEASE OF FLUSHBOLT.
- UNITS ARE HANDED FROM THE BREAKOUT SIDE.
- VINYL WEATHERING IS STANDARD.
- CASTERS ARE REQUIRED ON ALL PANELS GREATER THAN 54" WIDE AND/OR 200 LBS OR MORE. UNITS REQUIRING CASTERS WILL HAVE REDUCED DOOR OPENING WIDTH BY 3" [76]. DOOR AND SIDELITE WIDTHS ARE MODIFIED WHEN CASTERS ARE INSTALLED.
- ROUGH OPENING EQUALS FRAME WIDTH +1/2" AND FRAME HEIGHT +1/4".

	DOOR OPENING (SEE NOTE 6)	FULL BREAKOUT OPENING	FRAME WIDTH	SLIDING LEAD DOOR	SLIDING TRAIL DOOR	SIDELITE
MIN.	41 3/8" [1051]	78 3/8" [1991]	8'-0" [2438]	20 1/2" [521]	17 3/16" [437]	13 3/16" [335]
MAX.	175 3/8" [4455]	279 3/8" [7096]	24'-9" [7544]	54" [1372]	50 11/16" [1287]	46 11/16" [1185]