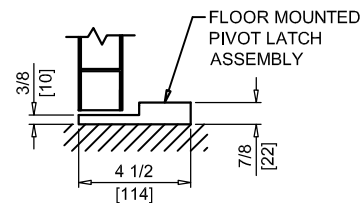
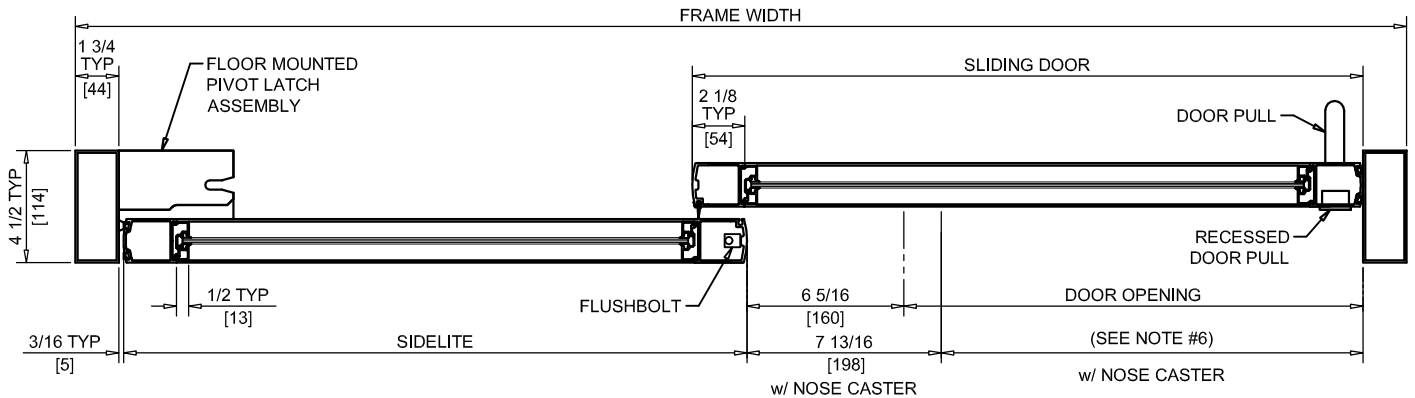
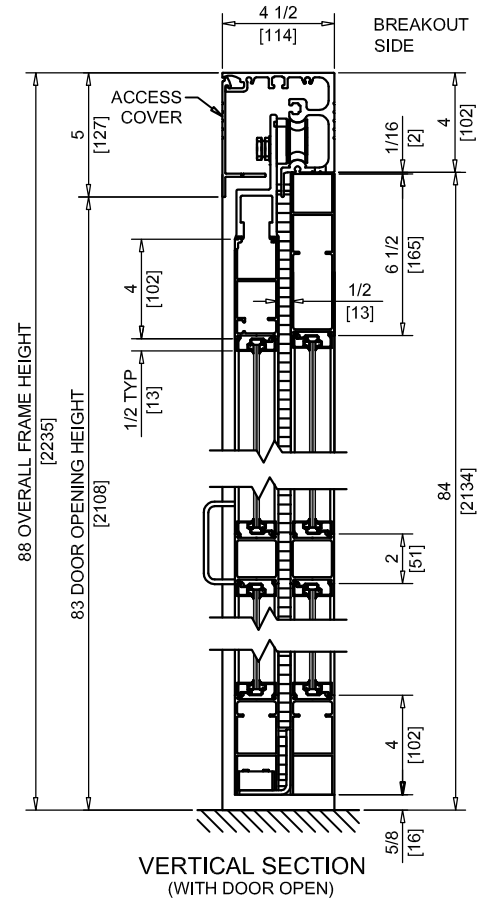
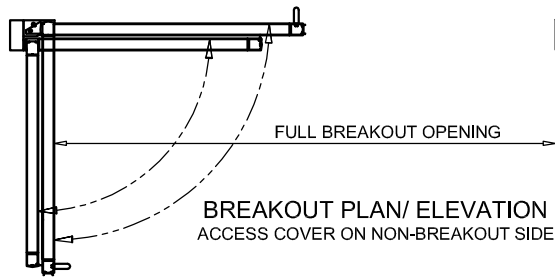
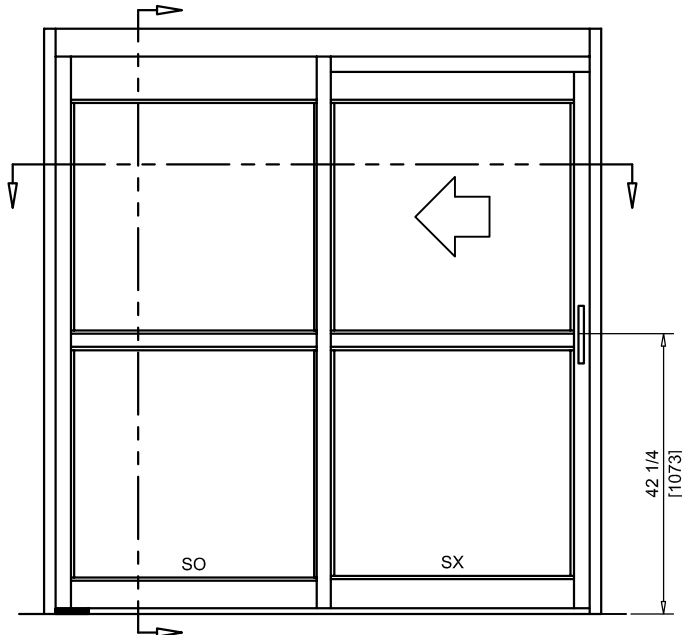




NABCO Entrances Inc.  
 S82 W18717 Gemini Drive Muskego, WI 53150  
 www.nabcoentrances.com 1-877-622-2694

JOB NAME: \_\_\_\_\_  
 LOCATION: \_\_\_\_\_  
 DISTRIBUTOR: \_\_\_\_\_  
 DOOR #: \_\_\_\_\_ DATE: \_\_\_\_\_  
 SHEET \_\_\_\_\_ OF \_\_\_\_\_

**GT2100L**  
 SINGLE SLIDE  
 LEFT HAND  
 FULL OPEN  
 TRACKLESS



PIVOT LATCH

HORIZONTAL SECTION

NOTES:

- "D" HANDLE PROVIDED ON NON BREAKOUT SIDE. RECESSED HANDLE PROVIDED ON BREAKOUT SIDE. UNITS REQUIRING "D" HANDLES ON BOTH SIDES WILL HAVE REDUCED DOOR OPENING WIDTH BY 3/4" [19]. DOOR AND SIDELITE WIDTHS ARE MODIFIED FOR TWO "D" HANDLE APPLICATIONS.
- NO FLOOR TRACK TO INTERFERE WITH TRAFFIC.
- BREAKOUT ONLY FROM FULL OPEN POSITION AFTER RELEASE OF FLUSHBOLT.
- UNITS ARE HANDED FROM THE BREAKOUT SIDE.
- VINYL WEATHERING IS STANDARD.
- CASTERS ARE REQUIRED ON ALL PANELS GREATER THEN 54" WIDE AND/OR 200 LBS OR MORE. UNITS REQUIRING CASTERS WILL HAVE REDUCED DOOR OPENING WIDTH BY 3/4" [19]. DOOR AND SIDELITE WIDTHS ARE MODIFIED WHEN CASTERS ARE INSTALLED.
- ROUGH OPENING EQUALS FRAME WIDTH +1/2" AND FRAME HEIGHT +1/4".
- SELF CLOSING AND HOLD OPEN (REQUIRES POWER TO HEADER) FEATURES OPTIONAL ON UNITS WITH SX PANELS UNDER 135 LBS.

DOOR OPENING (SEE NOTE 6)	FULL BREAKOUT OPENING	FRAME WIDTH	SLIDING DOOR	SIDELITE
36" [914]	78 13/16" [2002]	7'-2 7/8" [2207]	44 7/8" [1140]	40 7/8" [1038]
42" [1067]	90 13/16" [2307]	8'-2 7/8" [2511]	50 7/8" [1292]	46 7/8" [1191]
44" [1118]	94 13/16" [2408]	8'-6 7/8" [2613]	52 7/8" [1343]	48 7/8" [1241]
48" [1219]	104 5/16" [2650]	9'-4 3/8" [2854]	58 3/8" [1483]	52 7/8" [1343]