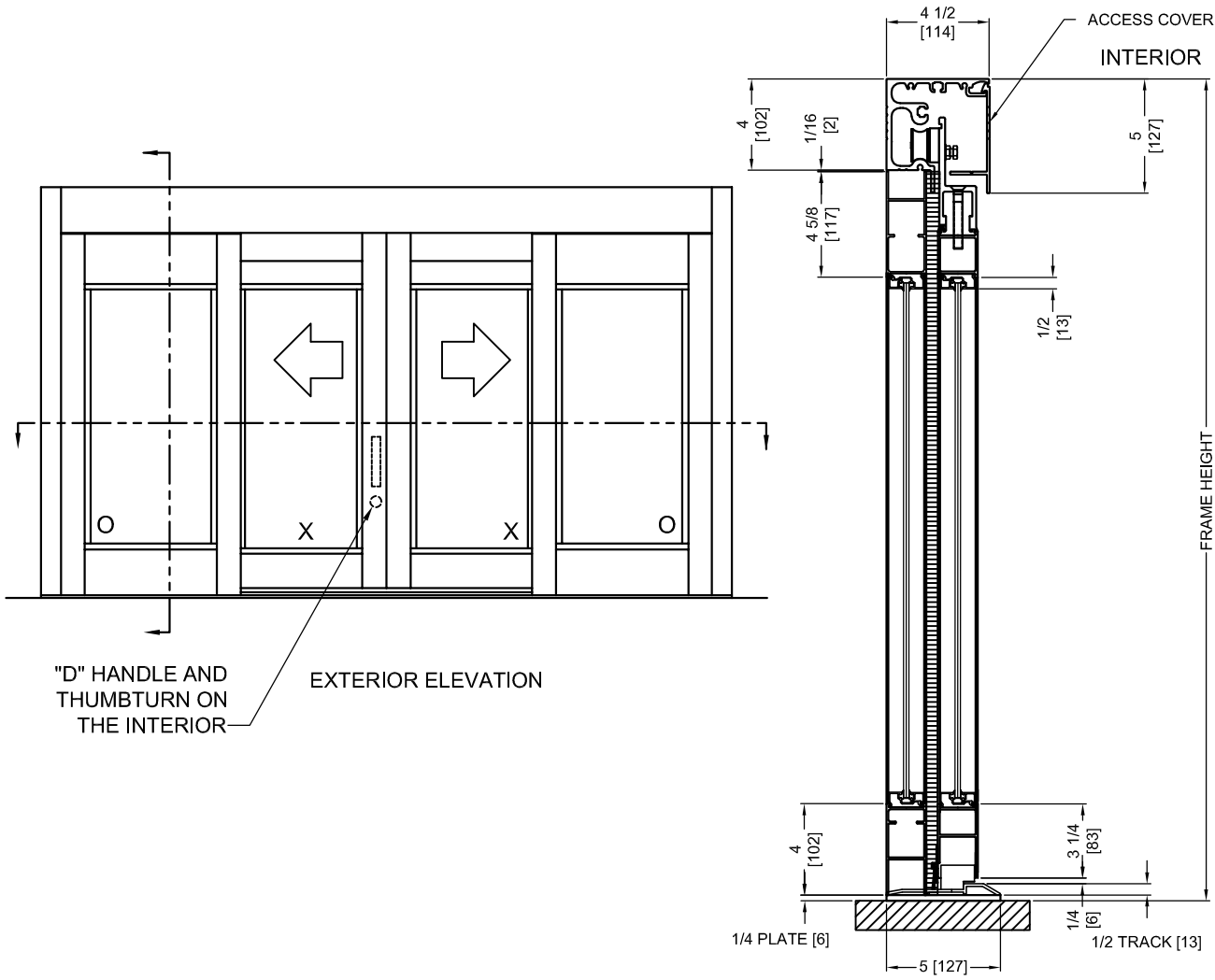




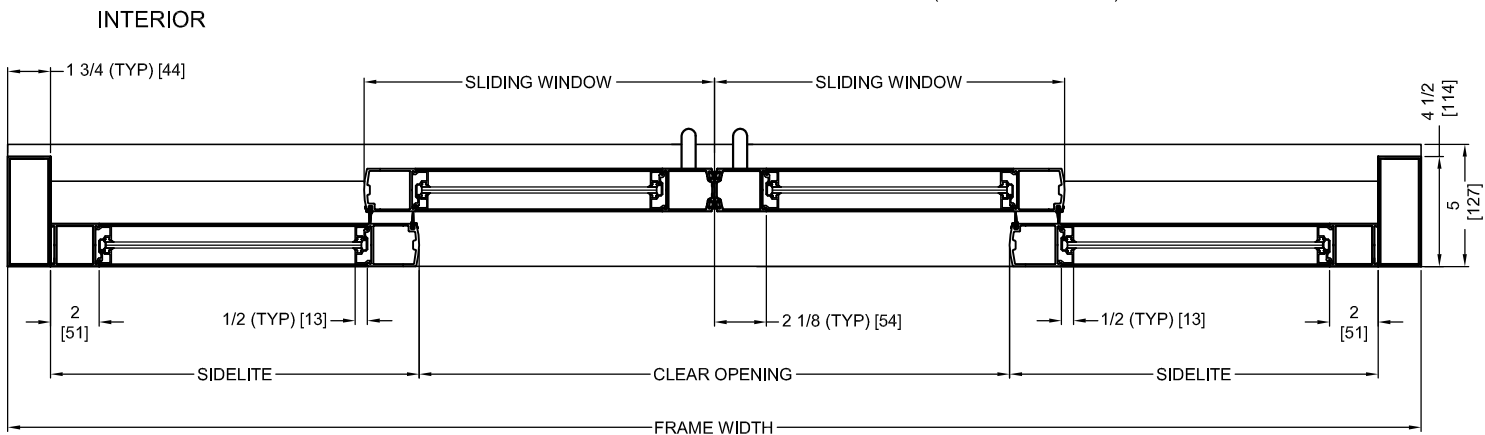
NABCO Entrances Inc.  
 S82 W18717 Gemini Drive Muskego, WI 53150  
 www.nabcoentrances.com 1-877-622-2694

JOB NAME: \_\_\_\_\_  
 LOCATION: \_\_\_\_\_  
 DISTRIBUTOR: \_\_\_\_\_  
 DOOR #: \_\_\_\_\_ DATE: \_\_\_\_\_  
 SHEET \_\_\_\_\_ OF \_\_\_\_\_

**CONVENIENCE WINDOW**  
**GT1500-02-M**  
 MANUAL BI-PART SLIDE



VERTICAL SECTION  
 (WITH WINDOW OPEN)



HORIZONTAL SECTION

- NOTES:
- CONTACT ENGINEERING FOR CUSTOM SIZES AND OPTIONS.
  - ROUGH OPENING EQUALS FRAME WIDTH +1/2" AND FRAME HEIGHT +1/4".
  - STANDARD UNIT PROVIDED, LOCK WITH THUMBTURN AND "D" PULL ON THE INTERIOR
  - UNIT COMES FULLY ASSEMBLED (GLASS NOT INCLUDED)

	CLEAR OPENING	FRAME WIDTH	FRAME HEIGHT	SLIDING WINDOW	SIDELITE
MINIMUM	25 1/2" [648]	4'-11 1/2" [1511]	2'-5 1/2" [749]	14 3/4" [375]	15 1/2" [394]