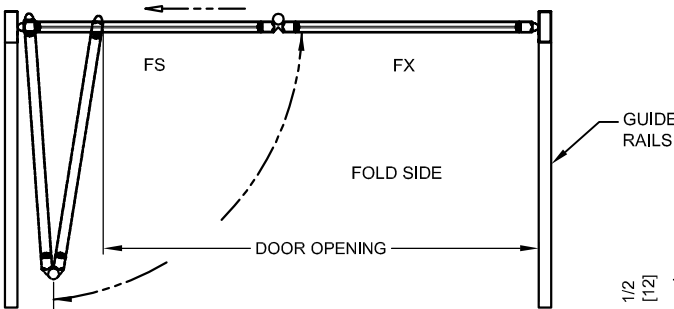
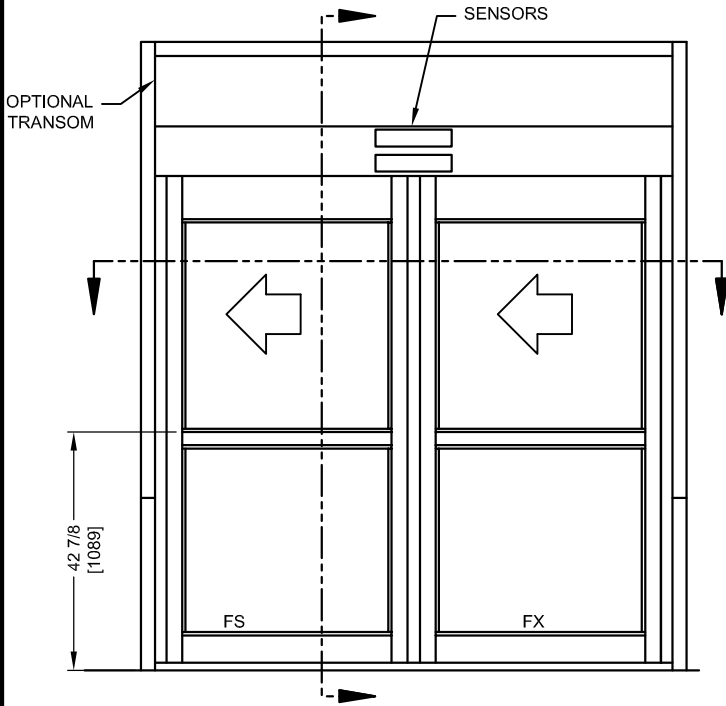




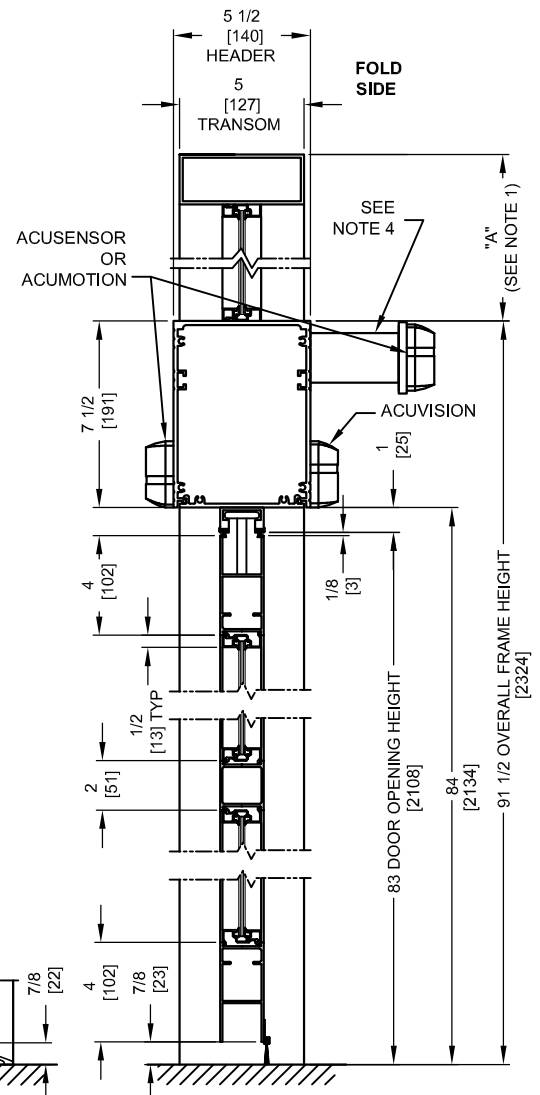
NABCO Entrances Inc.
 S82 W18717 Gemini Drive Muskego, WI 53150
 www.nabcoentrances.com 1-877-622-2694

JOB NAME: _____
 LOCATION: _____
 DISTRIBUTOR: _____
 DOOR #: _____ DATE: _____
 SHEET _____ OF _____

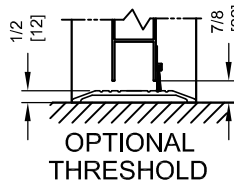
GT1400-01R
 SINGLE FOLD
 DOOR
 RIGHT HAND



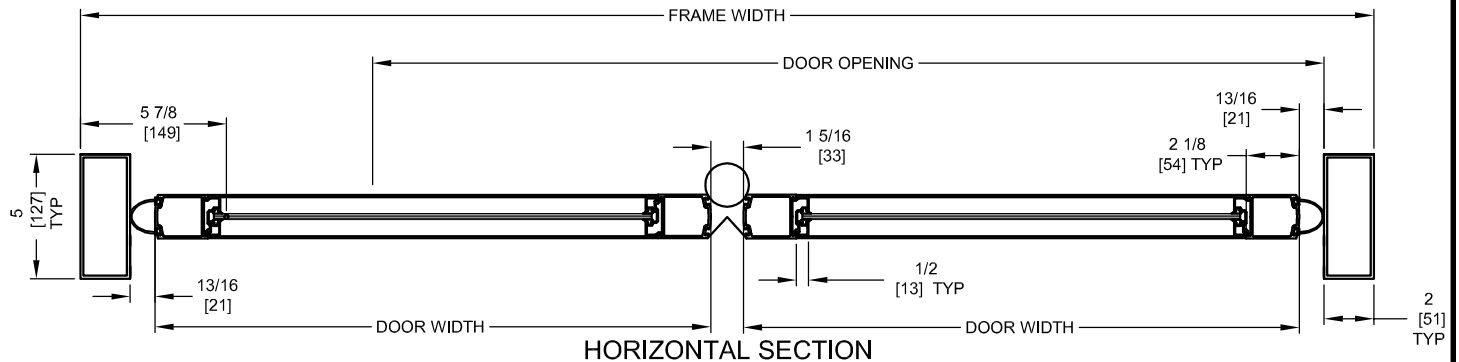
EXTERIOR ELEVATION/PLAN



VERTICAL SECTION



OPTIONAL THRESHOLD



HORIZONTAL SECTION

	DOOR OPENING	FULL BREAKOUT OPENING	FRAME WIDTH	DOOR WIDTH
MINIMUM	30" [762]	36 1/8" [918]	3'-8" [1118]	18 1/2" [470]
	33 3/4" [857]	40 1/8" [1019]	4'-0" [1219]	20 1/2" [521]
	39 7/16" [1002]	46 1/8" [1172]	4'-6" [1372]	23 1/2" [597]
	45 1/8" [1146]	52 1/8" [1324]	5'-0" [1524]	26 1/2" [673]
MAXIMUM	48" [1219]	55 1/8" [1400]	5'-3" [1600]	28" [711]

- NOTES:
1. TRANSOM HEIGHT (DIMENSION "A") IS DETERMINED PER JOB REQUIREMENTS.
 2. POWER TO HEADER WILL BE 115VAC, 10 AMP PER OPERATOR PROVIDED BY ELECTRICAL CONTRACTOR.
 3. STANDARD FINISHES ARE 204 CLEAR AND 313 DARK BRONZE. OTHER FINISHES ARE AVAILABLE.
 4. SENSOR MOUNTING TUBE LENGTH VARIES BY DOOR WIDTH.
 5. MASONRY OPENING EQUALS FRAME WIDTH +1/2" AND FRAME HEIGHT +1/4".