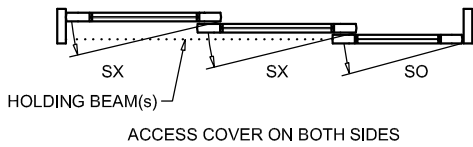
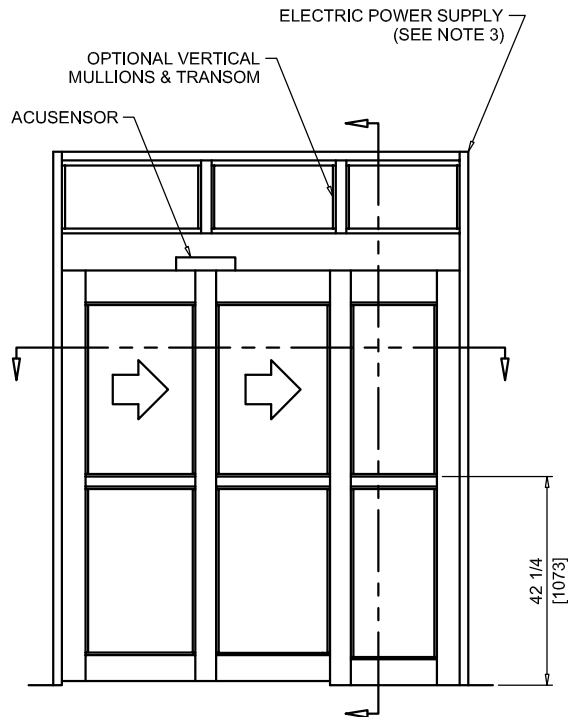




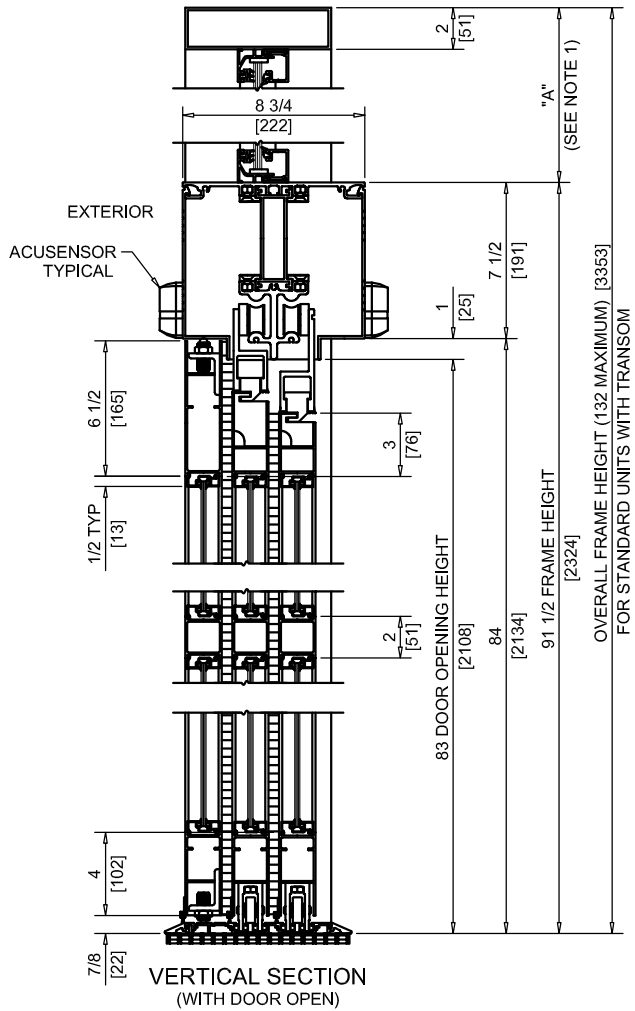
NABCO Entrances Inc.  
 S82 W18717 Gemini Drive Muskego, WI 53150  
 www.nabcoentrances.com 1-877-622-2694

JOB NAME: \_\_\_\_\_  
 LOCATION: \_\_\_\_\_  
 DISTRIBUTOR: \_\_\_\_\_  
 DOOR #: \_\_\_\_\_ DATE: \_\_\_\_\_  
 SHEET \_\_\_\_\_ OF \_\_\_\_\_

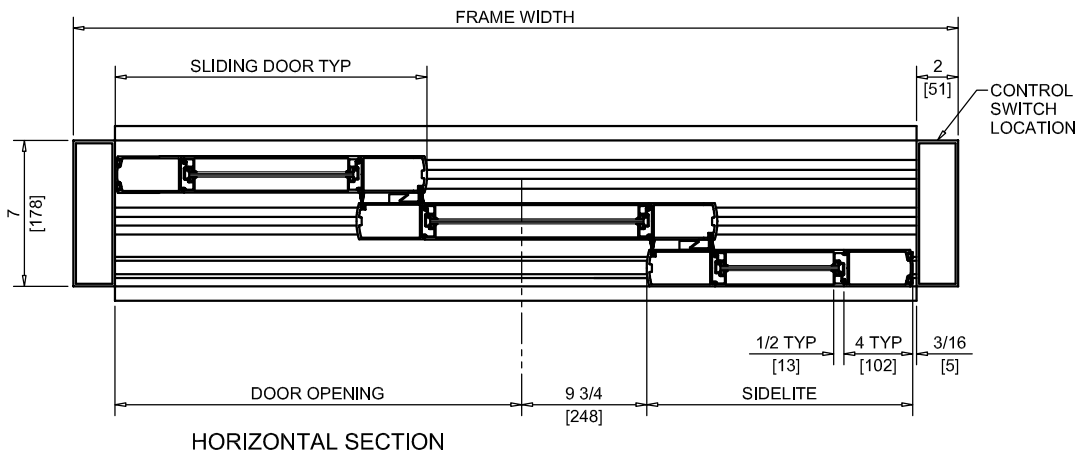
**WHISPER SLIDE**  
**GT1175-16RM**  
 SINGLE SLIDE  
 RIGHT HAND  
 FULL OPEN  
 TELESCOPING



EXTERIOR ELEVATION/PLAN



VERTICAL SECTION  
 (WITH DOOR OPEN)



HORIZONTAL SECTION

**MEDIUM STILE**

- NOTES:
1. TRANSOM HEIGHT (DIMENSION "A") IS DETERMINED PER JOB REQUIREMENTS.
  2. TRANSOM GLAZING IS SURFACE APPLIED FOR ALL GLASS THICKNESSES.
  3. POWER TO HEADER WILL BE 115VAC, 5 AMP PER OPERATOR PROVIDED BY ELECTRICAL CONTRACTOR.
  4. STANDARD LOCATION OF LOCK IS 35" FROM FINISH FLOOR TO CENTERLINE OF KEY CYLINDER.
  5. 1/2" THRESHOLD THROUGH DOOR OPENING IS REQUIRED.
  6. MASONRY OPENING EQUALS FRAME WIDTH +1/2" AND FRAME HEIGHT +1/4".
  7. ONE SET OF HOLDING BEAMS AT 21" AFF STANDARD. SECOND SET AT 51" AFF IS OPTIONAL.

	DOOR OPENING	FULL BREAKOUT OPENING	FRAME WIDTH	SLIDING DOOR	SIDELITE
MIN.	32 1/8" [816]	54 9/16" [1386]	5'-7 1/16" [1703]	25 1/16" [637]	21" [533]
MAX.	83 7/16" [2119]	131 1/2" [3340]	12'-0" [3658]	50 11/16" [1287]	46 5/8" [1184]