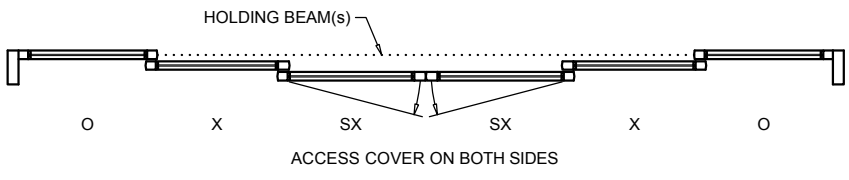
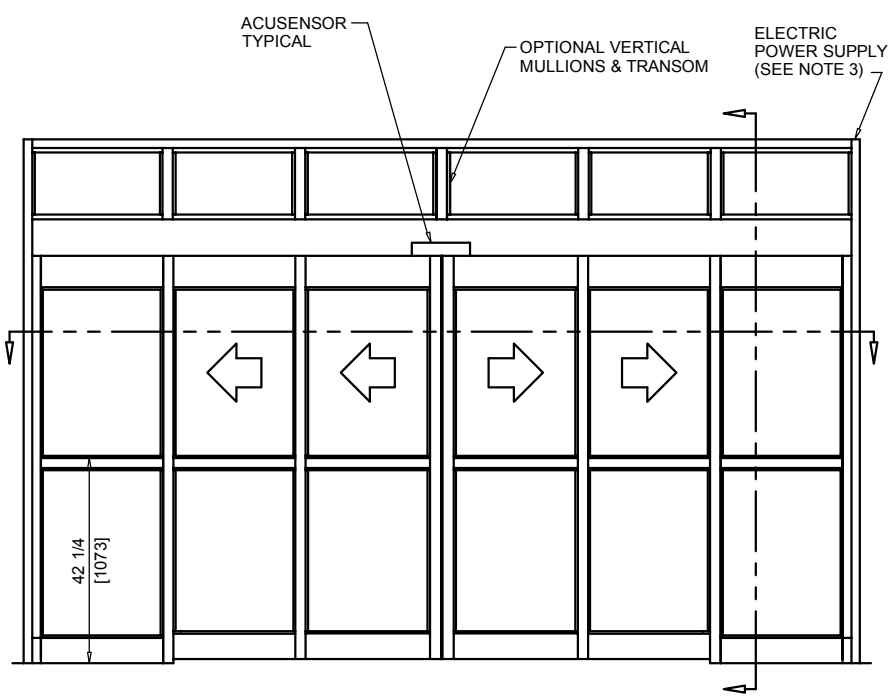




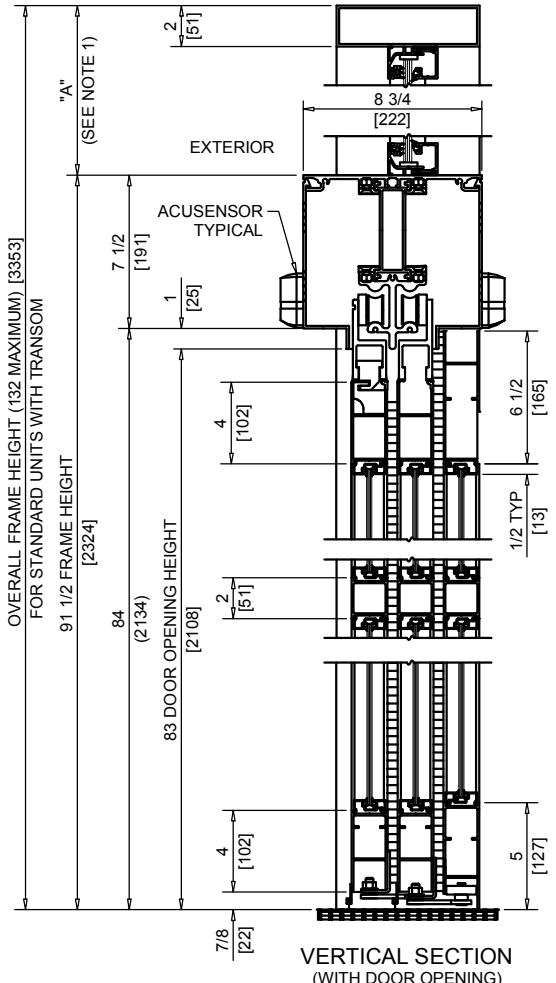
NABCO Entrances Inc.
 582 W18717 Gemini Drive Muskego, WI 53150
 www.nabcoentrances.com 1-877-622-2694

JOB NAME: _____
 LOCATION: _____
 DISTRIBUTOR: _____
 DOOR #: _____ DATE: _____
 SHEET _____ OF _____

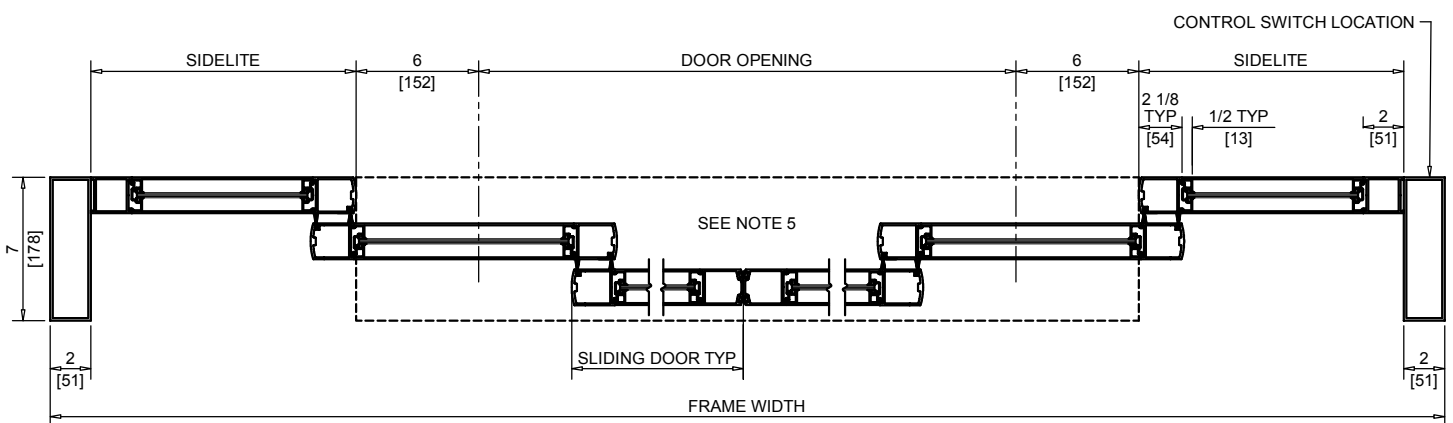
WHISPER SLIDE
GT1175-15
 BI-PART SLIDE
 FIXED SIDELITE
 TELESCOPING



EXTERIOR ELEVATION/PLAN



VERTICAL SECTION
 (WITH DOOR OPENING)



HORIZONTAL SECTION

- NOTES:
1. TRANSOM HEIGHT (DIMENSION "A") IS DETERMINED PER JOB REQUIREMENTS.
 2. TRANSOM GLAZING IS SURFACE APPLIED FOR ALL GLASS THICKNESSES.
 3. POWER TO HEADER WILL BE 115VAC, 5 AMP PER OPERATOR PROVIDED BY ELECTRICAL CONTRACTOR.
 4. STANDARD LOCATION OF LOCK IS 35" FROM FINISH FLOOR TO CENTERLINE OF KEY CYLINDER.
 5. 1/4 X 7 THRESHOLD THROUGH DOOR OPENING (AS SHOWN WITH DASHED LINES) IS OPTIONAL.
 6. MASONRY OPENING EQUALS FRAME WIDTH + 1/2" AND FRAME HEIGHT + 1/4".
 7. ONE SET OF HOLDING BEAMS AT 21" AFF STANDARD. SECOND SET AT 51" AFF IS OPTIONAL.

	DOOR OPENING	FULL BREAKOUT OPENING	FRAME WIDTH	SLIDING DOOR	SIDELITE
MIN.	48 5/8" [1235]	54 5/8" [1387]	7'-11 1/2" [2425]	17 7/16" [443]	15 7/16" [392]
MAX.	113" [2870]	119" [3023]	16'-0" [4876]	33 1/2" [851]	31 1/2" [800]