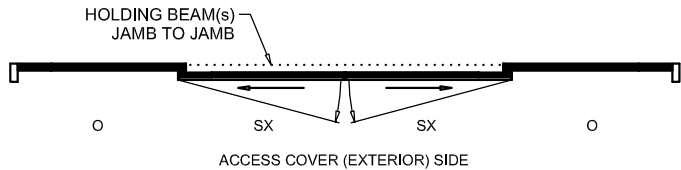
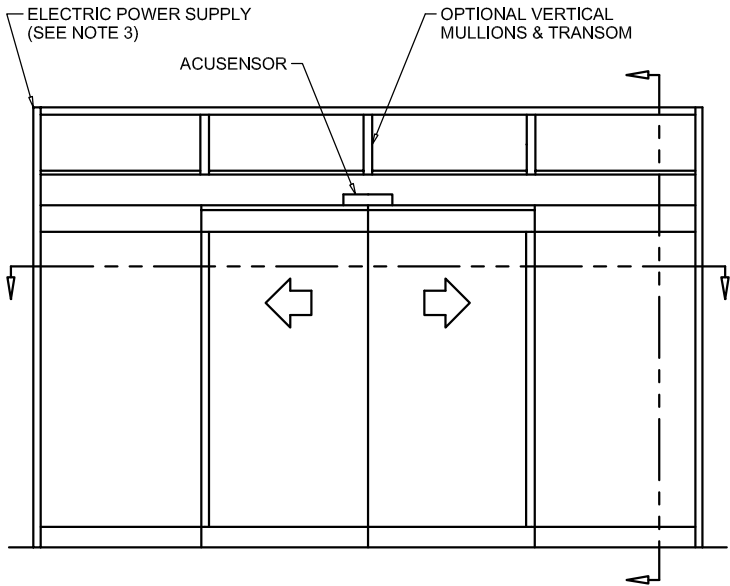




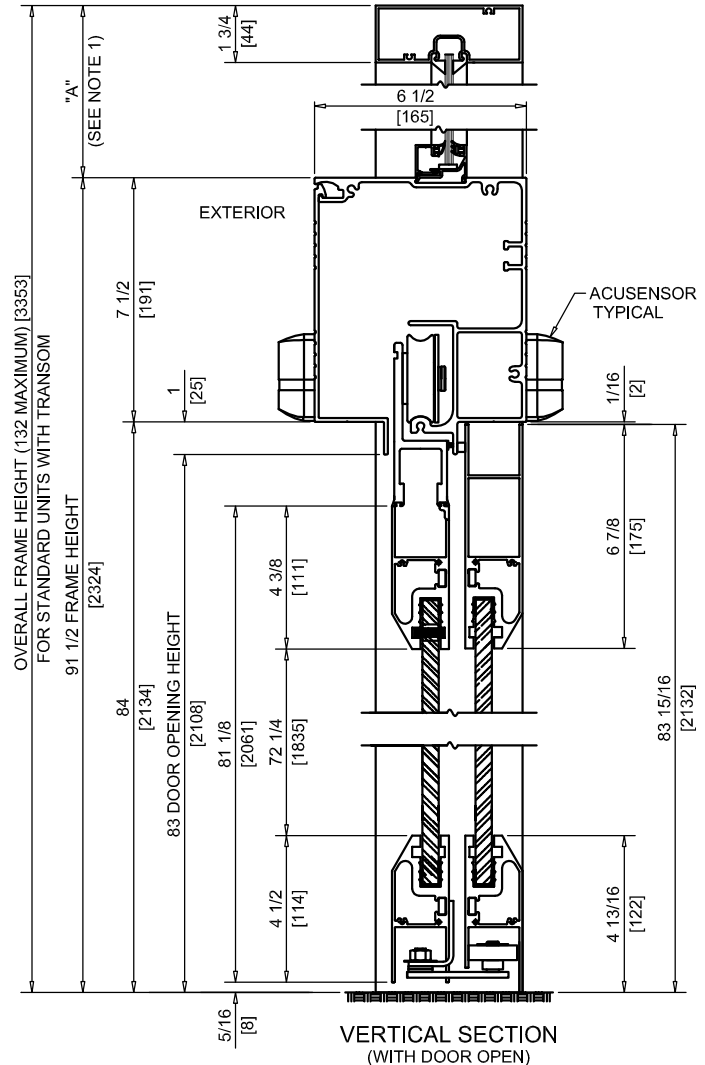
NABCO Entrances Inc.  
 S82 W18717 Gemini Drive Muskego, WI 53150  
 www.nabcoentrances.com 1-877-622-2694

JOB NAME: \_\_\_\_\_  
 LOCATION: \_\_\_\_\_  
 DISTRIBUTOR: \_\_\_\_\_  
 DOOR #: \_\_\_\_\_ DATE: \_\_\_\_\_  
 SHEET \_\_\_\_\_ OF \_\_\_\_\_

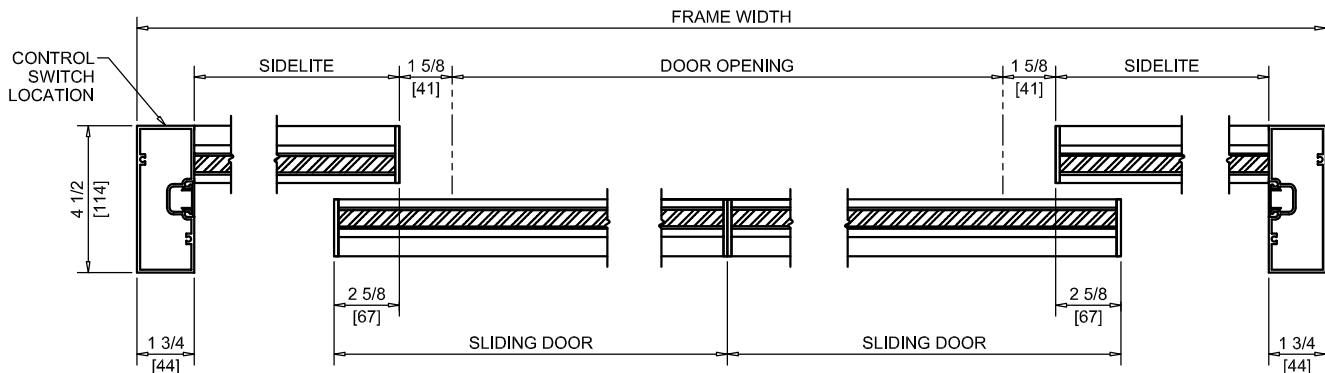
**WHISPER SLIDE**  
**GT1175-13**  
 BI-PART SLIDE  
 FIXED SIDELITE  
 ALL GLASS



EXTERIOR ELEVATION/PLAN



VERTICAL SECTION  
(WITH DOOR OPEN)



HORIZONTAL SECTION

NOTES:

1. TRANSOM HEIGHT (DIMENSION "A") IS DETERMINED PER JOB REQUIREMENTS.
2. FLUSH GLAZING FOR 1/4" GLASS ONLY.
3. POWER TO HEADER WILL BE 115VAC, 5 AMP PER OPERATOR PROVIDED BY ELECTRICAL CONTRACTOR.
4. UNITS CAN BE PROVIDED WITH GLASS INSTALLED. CONTACT THE FACTORY WITH SPECIAL REQUESTS.
5. MASONRY OPENING EQUALS FRAME WIDTH +1/2" AND FRAME HEIGHT +1/4".
6. ONE SET OF HOLDING BEAMS AT 21" AFF STANDARD. SECOND SET AT 51" AFF IS OPTIONAL.

DOOR OPENING	FULL BREAKOUT OPENING	FRAME WIDTH	SLIDING DOOR	SIDELITE
52 1/2" [1334]	55 3/4" [1416]	10'-0" [3048]	30 1/2" [775]	30 3/8" [772]
64 1/2" [1638]	67 3/4" [1721]	12'-0" [3657]	36 1/2" [927]	36 3/8" [924]
76 1/2" [1943]	79 3/4" [2026]	14'-0" [4267]	42 1/2" [1080]	42 3/8" [1076]