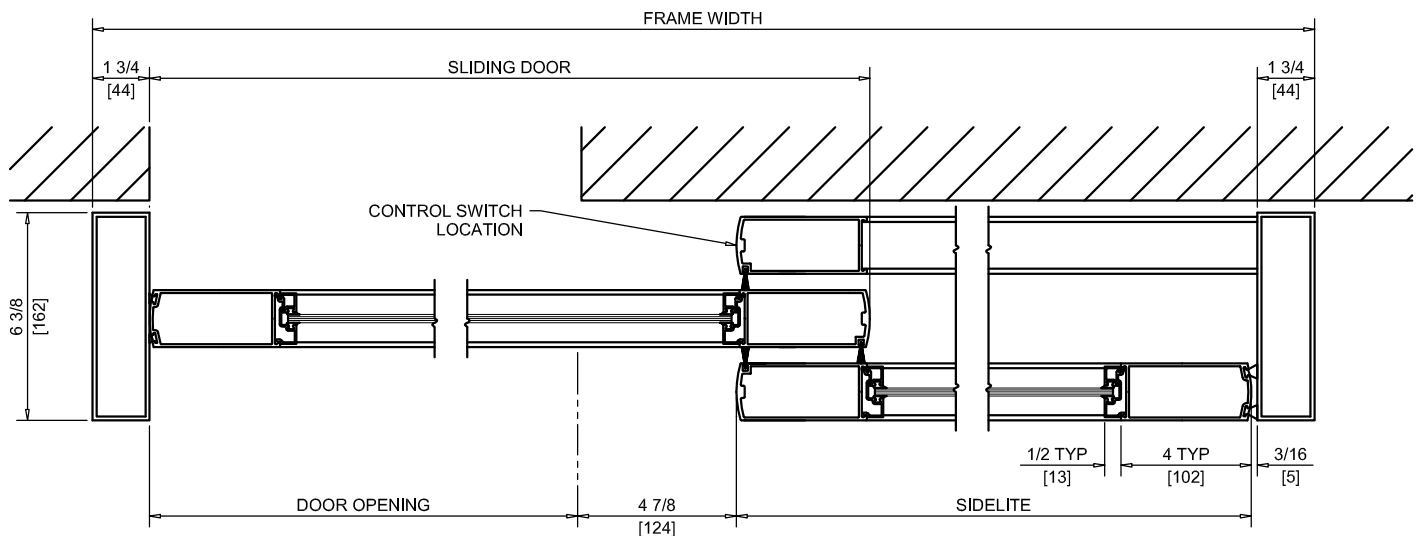
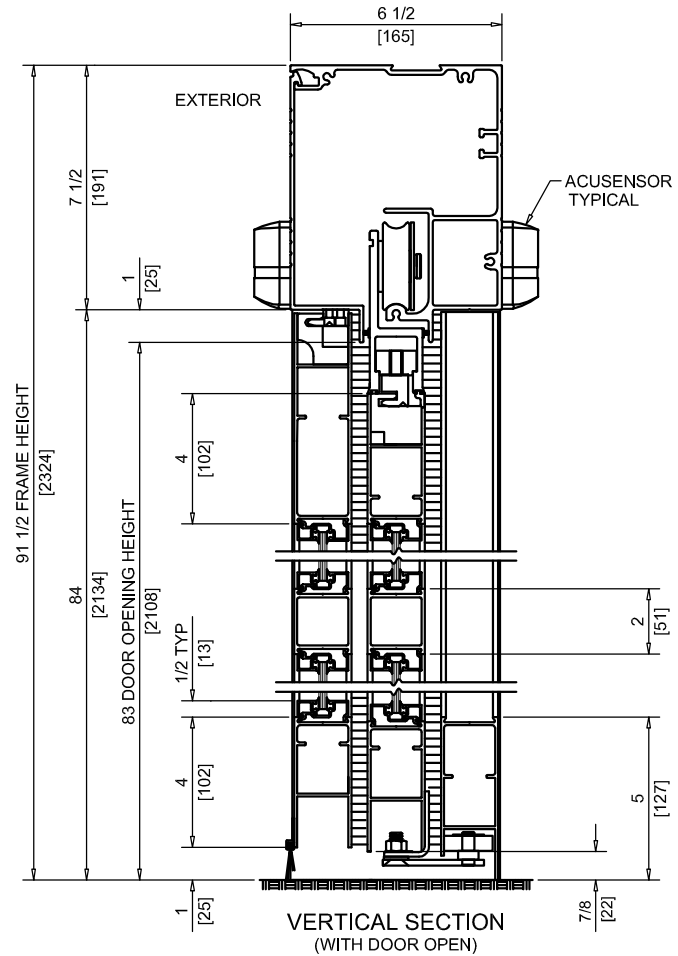
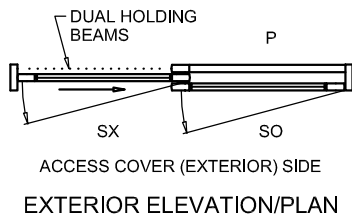
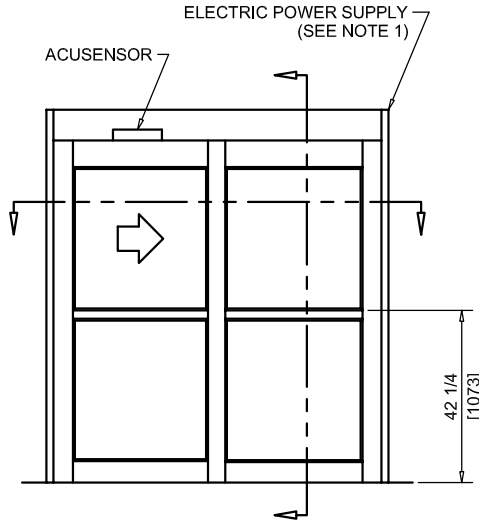




NABCO Entrances Inc.  
 S82 W18717 Gemini Drive Muskego, WI 53150  
 www.nabcoentrances.com 1-877-622-2694

JOB NAME: \_\_\_\_\_  
 LOCATION: \_\_\_\_\_  
 DISTRIBUTOR: \_\_\_\_\_  
 DOOR #: \_\_\_\_\_ DATE: \_\_\_\_\_  
 SHEET \_\_\_\_ OF \_\_\_\_

**WHISPER SLIDE**  
**GT1175-09RM**  
 SINGLE SLIDE  
 RIGHT HAND  
 FULL OPEN  
 SURFACE MOUNTED



**MEDIUM STYLE**

**HORIZONTAL SECTION**

DOOR OPENING	FULL BREAKOUT OPENING	FRAME WIDTH	SLIDING DOOR	SIDELITE
35 3/8" [899]	40 1/4" [1022]	7'-0" [2134]	44 3/8" [1127]	40 1/16" [1018]
41 3/8" [1051]	46 1/4" [1175]	8'-0" [2438]	50 3/8" [1280]	46 1/16" [1170]
44" [1118]	48 7/8" [1241]	8'-6" [2591]	53" [1346]	49 7/16" [1256]
47 3/8" [1203]	52 1/4" [1327]	9'-0" [2743]	56 3/8" [1432]	52 1/16" [1322]

NOTES:

- POWER TO HEADER WILL BE 115VAC, 5 AMP PER OPERATOR PROVIDED BY ELECTRICAL CONTRACTOR.
- ROCKER SWITCHES WILL BE MOUNTED ON NOSE OF FILLER TUBE UNLESS NOTED OTHERWISE.
- STANDARD LOCATION OF LOCK IS 35" FROM FINISH FLOOR TO CENTERLINE OF KEY CYLINDER.
- TWO SETS OF HOLDING BEAMS STANDARD. ONE SET AT 21" AFF AND ONE SET AT 51" AFF.