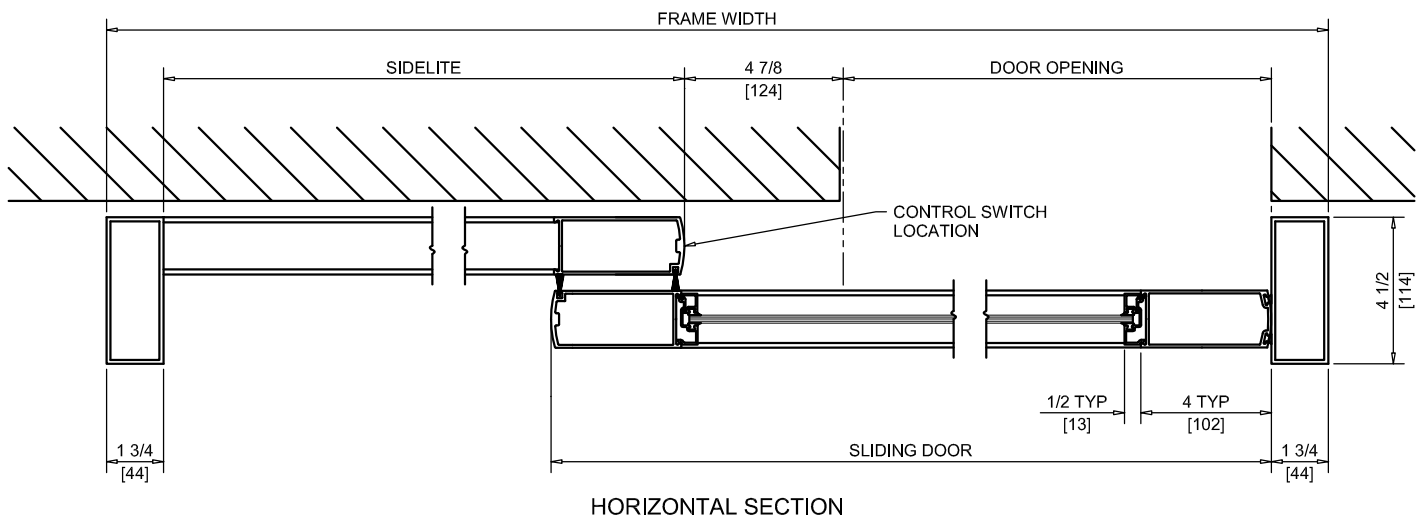
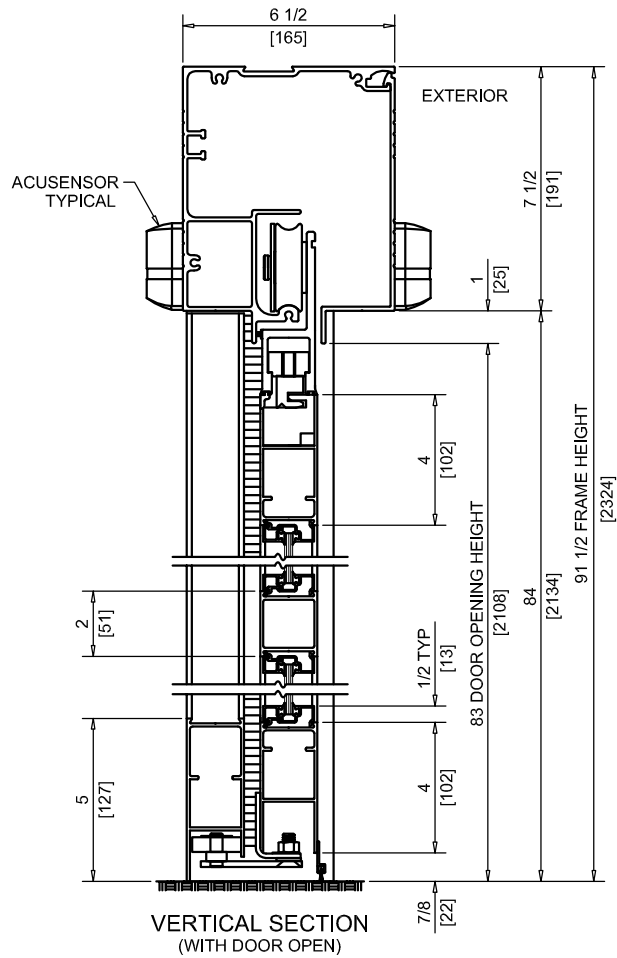
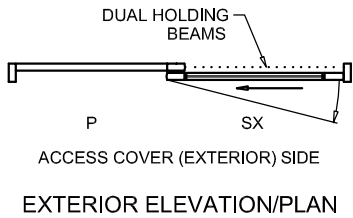
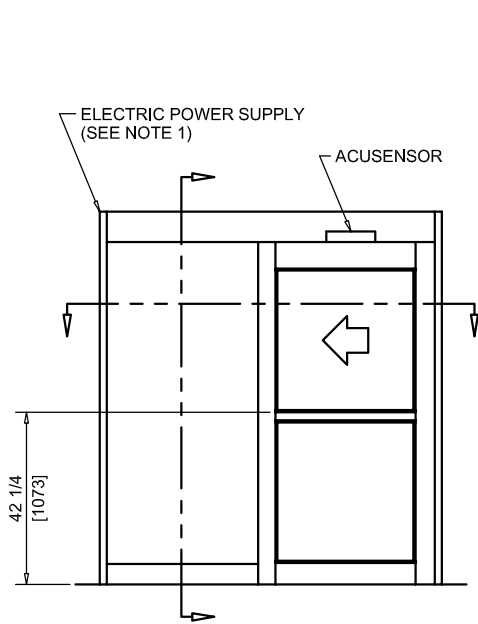




NABCO Entrances Inc.
 582 W18717 Gemini Drive Muskego, WI 53150
 www.nabcoentrances.com 1-877-622-2694

JOB NAME: _____
 LOCATION: _____
 DISTRIBUTOR: _____
 DOOR #: _____ DATE: _____
 SHEET _____ OF _____

**WHISPER SLIDE
 GT1175-07LM**
 SINGLE SLIDE
 LEFT HAND
 SURFACE MOUNTED



MEDIUM STYLE

DOOR OPENING	FULL BREAKOUT OPENING	FRAME WIDTH	SLIDING DOOR	SIDELITE
35 3/8" [899]	40 1/4" [1022]	7'-0" [2134]	44 3/8" [1127]	40 1/4" [1022]
41 3/8" [1051]	46 1/4" [1175]	8'-0" [2438]	50 3/8" [1280]	46 1/4" [1175]
44" [1118]	48 7/8" [1241]	8'-6" [2591]	53" [1346]	49 5/8" [1260]
47 3/8" [1203]	52 1/4" [1327]	9'-0" [2743]	56 3/8" [1432]	52 1/4" [1327]

NOTES:

1. POWER TO HEADER WILL BE 115VAC, 5 AMP PER OPERATOR PROVIDED BY ELECTRICAL CONTRACTOR.
2. ROCKER SWITCHES WILL BE MOUNTED ON NOSE OF FILLER TUBE UNLESS NOTED OTHERWISE.
3. STANDARD LOCATION OF LOCK IS 35" FROM FINISH FLOOR TO CENTERLINE OF KEY CYLINDER.
4. TWO SETS OF HOLDING BEAMS STANDARD. ONE SET AT 21" AFF AND ONE SET AT 51" AFF.