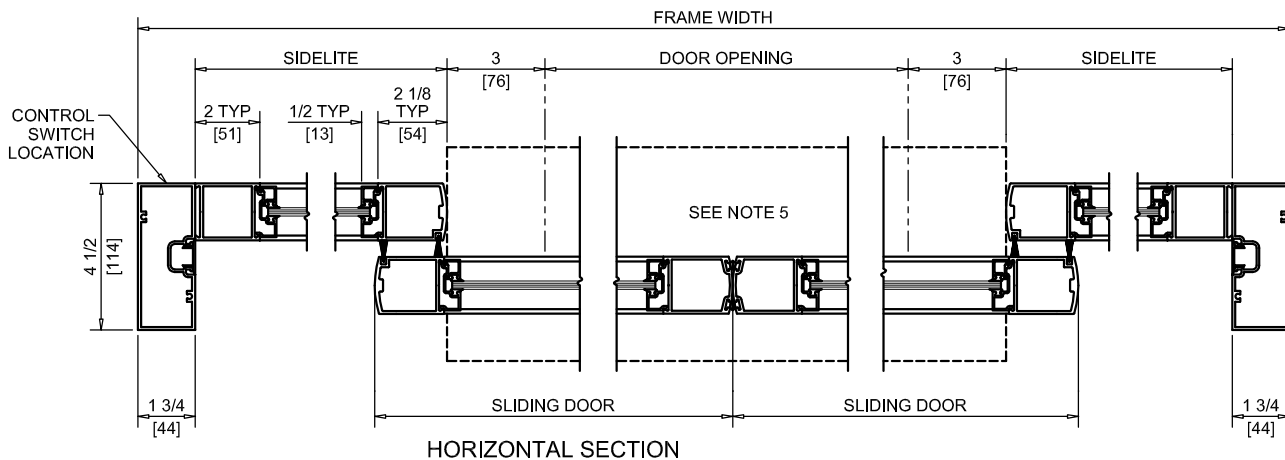
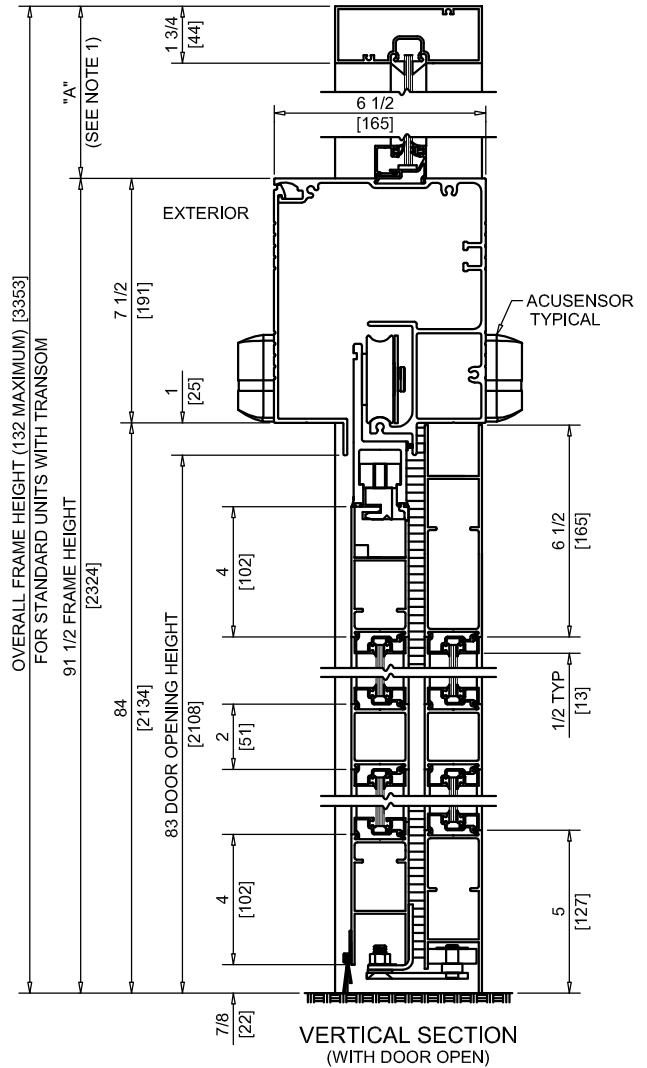
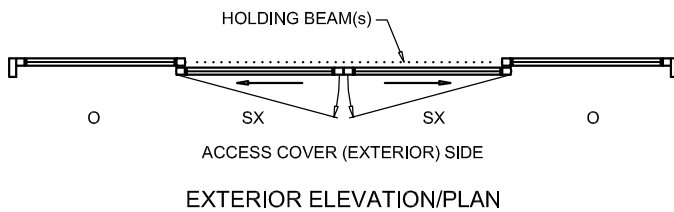
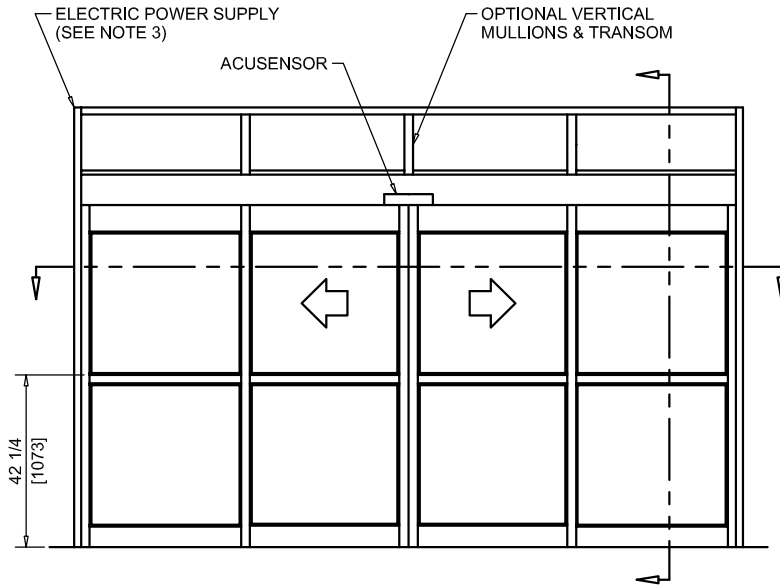




NABCO Entrances Inc.  
 S82 W18717 Gemini Drive Muskego, WI 53150  
 www.nabcoentrances.com 1-877-622-2694

JOB NAME: \_\_\_\_\_  
 LOCATION: \_\_\_\_\_  
 DISTRIBUTOR: \_\_\_\_\_  
 DOOR #: \_\_\_\_\_ DATE: \_\_\_\_\_  
 SHEET \_\_\_\_\_ OF \_\_\_\_\_

**WHISPER SLIDE  
 GT1175-02  
 BI-PART SLIDE  
 FIXED SIDELITE**



HORIZONTAL SECTION

NOTES:

1. TRANSOM HEIGHT (DIMENSION "A") IS DETERMINED PER JOB REQUIREMENTS.
2. FLUSH GLAZING FOR 1/4" GLASS ONLY. NON POCKETED JAMBS USED FOR NO TRANSOM APPLICATIONS.
3. POWER TO HEADER WILL BE 115VAC, 5 AMP PER OPERATOR PROVIDED BY ELECTRICAL CONTRACTOR.
4. STANDARD LOCATION OF LOCK IS 35" FROM FINISH FLOOR TO CENTERLINE OF KEY CYLINDER.
5. 1/4 X 7 THRESHOLD THROUGH DOOR OPENING (AS SHOWN WITH DASHED LINES) IS OPTIONAL.
6. MASONRY OPENING EQUALS FRAME WIDTH +1/2" AND FRAME HEIGHT +1/4".
7. ONE SET OF HOLDING BEAMS AT 21" AFF STANDARD. SECOND SET AT 51" AFF IS OPTIONAL.

DOOR OPENING	FULL BREAKOUT OPENING	FRAME WIDTH	SLIDING DOOR	SIDELITE
48" [1219]	54" [1371]	10'-0" [3048]	29 1/4" [742]	31 1/4" [793]
60" [1524]	66" [1676]	12'-0" [3657]	35 1/4" [895]	37 1/4" [946]
72" [1828]	78" [1981]	14'-0" [4267]	41 1/4" [1047]	43 1/4" [1098]
84" [2133]	90" [2286]	16'-0" [4876]	47 1/4" [1200]	49 1/4" [1250]
96" [2438]	102" [2590]	18'-0" [5486]	53 1/4" [1352]	55 1/4" [1403]