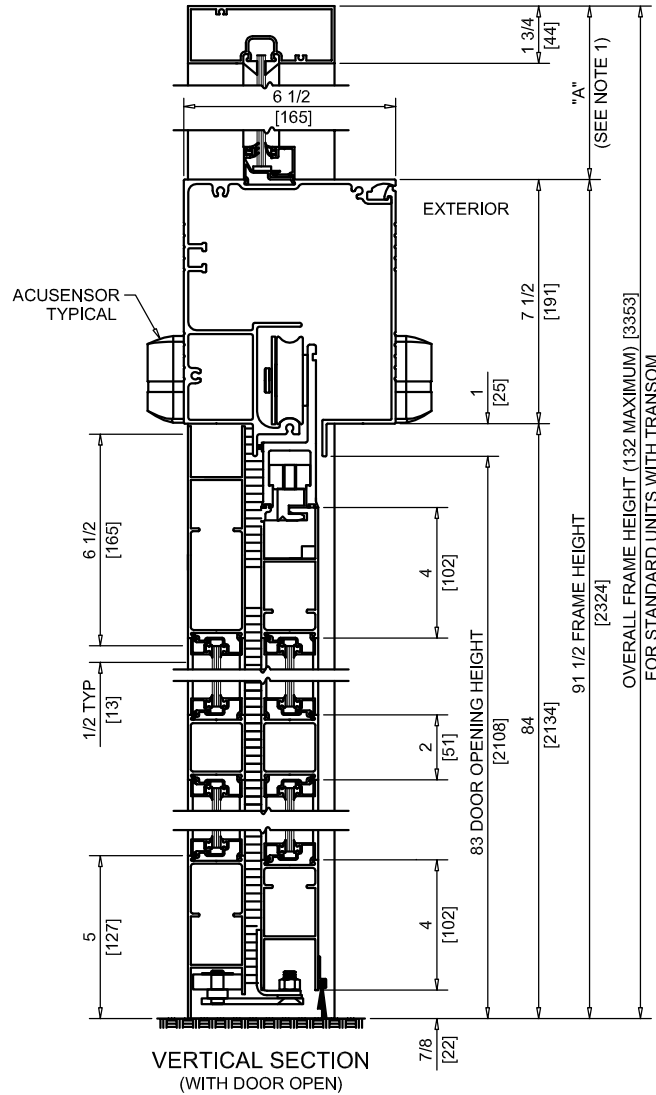
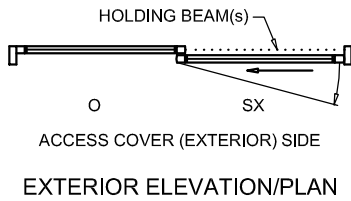
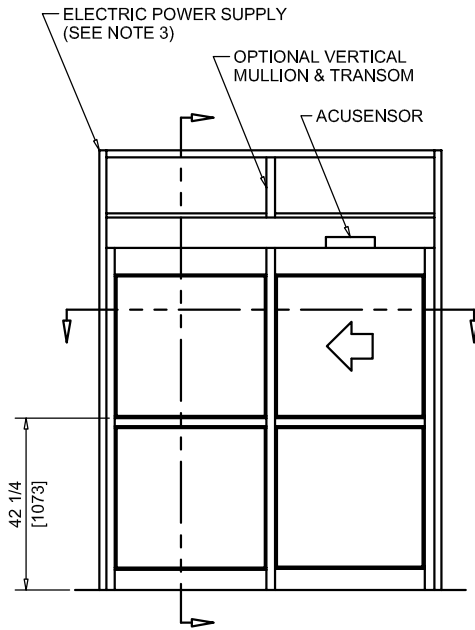




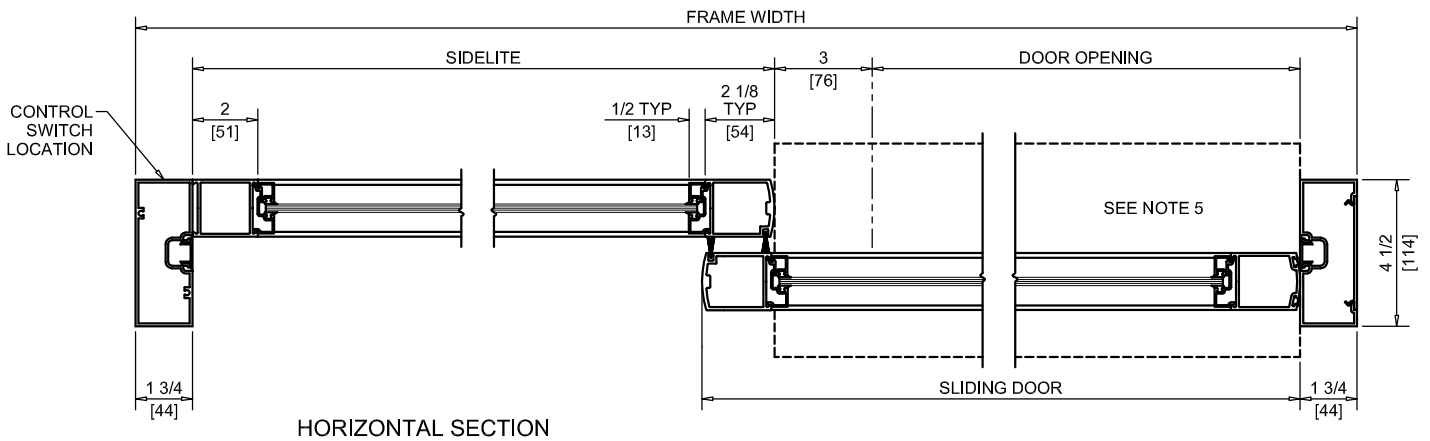
NABCO Entrances Inc.
 S82 W18717 Gemini Drive Muskego, WI 53150
 www.nabcoentrances.com 1-877-622-2694

JOB NAME: _____
 LOCATION: _____
 DISTRIBUTOR: _____
 DOOR #: _____ DATE: _____
 SHEET _____ OF _____

WHISPER SLIDE
GT1175-01L
 SINGLE SLIDE
 LEFT HAND
 FIXED SIDELITE



VERTICAL SECTION
 (WITH DOOR OPEN)



HORIZONTAL SECTION

NOTES:

1. TRANSOM HEIGHT (DIMENSION "A") IS DETERMINED PER JOB REQUIREMENTS.
2. FLUSH GLAZING FOR 1/4" GLASS ONLY. NON POCKETED JAMBS USED FOR NO TRANSOM APPLICATIONS.
3. POWER TO HEADER WILL BE 115VAC, 5 AMP PER OPERATOR PROVIDED BY ELECTRICAL CONTRACTOR.
4. STANDARD LOCATION OF LOCK IS 35" FROM FINISH FLOOR TO CENTERLINE OF KEY CYLINDER.
5. 1/4 X 7 THRESHOLD THROUGH DOOR OPENING (AS SHOWN WITH DASHED LINES) IS OPTIONAL.
6. MASONRY OPENING EQUALS FRAME WIDTH +1/2" AND FRAME HEIGHT +1/4".
7. ONE SET OF HOLDING BEAMS AT 21" AFF STANDARD. SECOND SET AT 51" AFF IS OPTIONAL.

DOOR OPENING	FULL BREAKOUT OPENING	FRAME WIDTH	SLIDING DOOR	SIDELITE
36" [914]	39" [990]	7'-0" [2133]	41 1/4" [1047]	41 1/2" [1054]
42" [1066]	45" [1143]	8'-0" [2438]	47 1/4" [1200]	47 1/2" [1206]
44" [1117]	47" [1193]	8'-6" [2590]	49 1/4" [1250]	51 1/2" [1308]
48" [1219]	51" [1295]	9'-0" [2743]	53 1/4" [1352]	53 1/2" [1358]