



# Opus Overhead Concealed Swing Door GT 300-350-8300-8350 Installation Manual

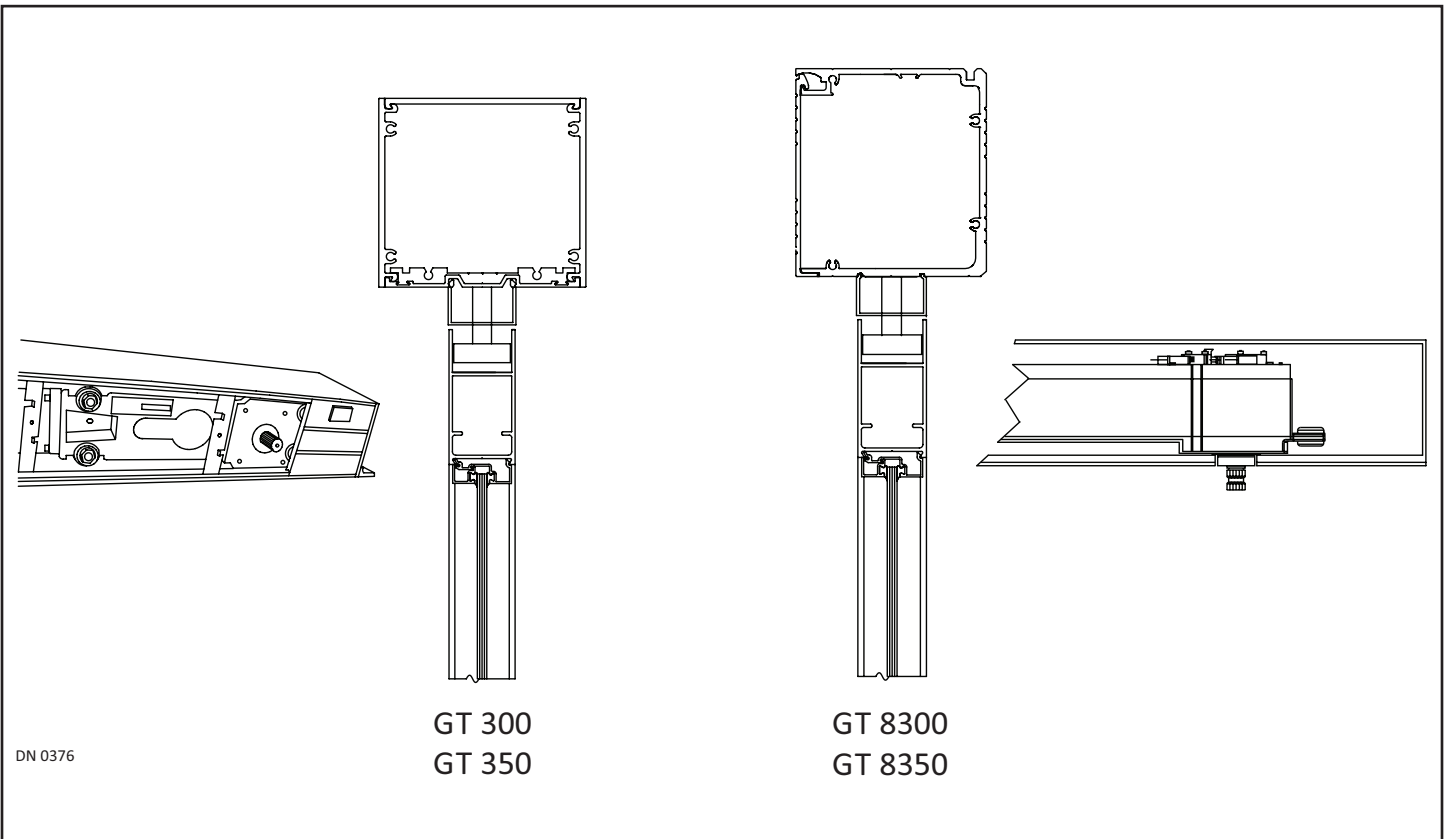
P/N C-00175 Rev 5-23-18

Nabco Entrances Inc. S82 W18717 Gemini Drive Muskego, Wisconsin 53150  
Phone: (877) 622-2694 Fax: (888) 679-3319 www.nabcoentrances.com  
NABCO hours of Operation: Monday to Friday 8:00 a.m.- 4:30 p.m. (Central Time)

Associated Manuals Part Numbers: *Opus Control Wiring and Programming Manual; P/N C-00139*  
*Swing Door Owners Manual; P/N C-00110 (for Decal Installation)*  
*NABCO Price Book; P/N 16-9244-30 (for Sensors, Switches, and Accessories)*

## WARNING

- Turn OFF all power to the Automatic Door if a Safety System is not working.
- Instruct the Owner to keep all power turned OFF until corrective action can be achieved by a NABCO trained technician. Failure to follow these practices may result in serious consequences.
- NEVER leave a Door operating without all Safety detection systems operational.



## Table of Contents

<b>CHAPTER 1: WARNING LABELS</b>	<b>4</b>
<b>CHAPTER 2: GENERAL SAFETY RECOMMENDATIONS</b>	<b>4</b>
<b>CHAPTER 3: SCOPE</b>	<b>5</b>
SECTION 3.1: To the Installer	5
SECTION 3.2: Objective	5
<b>CHAPTER 4: GETTING STARTED</b>	<b>5</b>
SECTION 4.1: Mechanical Configurations	5
SECTION 4.2: Power Configurations	6
SECTION 4.3: Door Frame Specifications	6
SECTION 4.4: Handing	6
<b>CHAPTER 5: INSTALL THE BOTTOM LOAD DOOR FRAME</b>	<b>6</b>
SECTION 5.1: Prep the Bottom Load Header	6
SECTION 5.2: Install the Panic Latch (Inswing Doors only)	7
SECTION 5.3: Install the Door Stop	8
SECTION 5.4: Prep the Jamb Tubes	8
SECTION 5.5: Install the Header to Jamb Tubes	9
SECTION 5.6: Install Door Frame to Building	9
SECTION 5.7: Install the Finger Guard	10
SECTION 5.8: Install Bottom Load Components	11
SECTION 5.9: Secure Incoming Wires	11
SECTION 5.10: Install Motor/Operator into Header	11
SECTION 5.11: Install the Opus Control	12
<b>CHAPTER 6: INSTALL THE SIDE LOAD DOOR FRAME</b>	<b>13</b>
SECTION 6.1: Prep the Jamb Tubes	13
SECTION 6.2: Install the Header to Jamb Tubes	13
SECTION 6.3: Install the Door Frame to Building	14
SECTION 6.4: Install the Finger Guard	14
<b>CHAPTER 7: 120 VAC GENERAL WIRING</b>	<b>15</b>
<b>CHAPTER 8: HANDING</b>	<b>16</b>
SECTION 8.1: How to Determine Handing	16
SECTION 8.2: Install the Handing Harness (for Right Handed Units only)	17
<b>CHAPTER 9: INSTALL THE FLOOR PIVOT</b>	<b>17</b>
SECTION 9.1: Lay down the Saddle Threshold over the Floor Pivot	18
<b>CHAPTER 10: INSTALL THE SWING DOOR (PROVIDED BY NABCO)</b>	<b>19</b>

**CHAPTER 11: INSTALL THE SWING DOOR (NOT PROVIDED BY NABCO)..... 20**

SECTION 11.1: Prep the Door Rail ..... 21

SECTION 11.2: Insert the Base Pivot into the Bottom Door Rail..... 22

SECTION 11.3: Partially Install the Arm Track into the Top Door Rail..... 22

SECTION 11.4: Temporarily Install the Swing Door ..... 23

**CHAPTER 12: ALIGN THE SWING DOOR..... 24**

**CHAPTER 13: ADJUST SWING DOOR HEIGHT ..... 24**

**CHAPTER 14: PERMANENTLY INSTALL THE SADDLE THRESHOLD ..... 25**

**CHAPTER 15: INSTALL THE SWING ARM ..... 25**

SECTION 15.1: Prep the Swing Arm..... 25

SECTION 15.2: Set Pre-Load ..... 25

SECTION 15.3: Secure the Swing Arm to the Operator ..... 26

SECTION 15.4: Secure the Swing Arm to the Swing Door ..... 26

**SERVICE PARTS: BAG P/N A-00565 ..... 28**

**SERVICE PARTS: BAG P/N 21-3561 ..... 28**

**SERVICE PARTS: BAG P/N 21-5106 ..... 29**

**SERVICE PARTS: BAG P/N 21-0928 ..... 29**

**SERVICE PARTS: OHC OPUS BOTTOM LOAD HEADER ..... 30**

**SERVICE PARTS: OHC OPUS SIDE LOAD HEADER ..... 33**

**SERVICE PARTS: OHC SWING DOOR..... 36**

## CHAPTER 1: WARNING LABELS

Warning labels are universal and used to alert an individual of potential harm to one's self or to others. The following warning labels are listed in a hierarchy order that defines the most potential danger first, and the least potential danger last. Please refer to this page in the event that a warning label is displayed within this manual and further definition needs to be explained.

**DANGER**

Indicates potentially dangerous situations. Danger is used when there is a hazardous situation where there is a *high* probability of severe injury or death. It should not be considered for property damage unless personal injury risk is present.

**WARNING**

Indicates a hazardous situation which has *some* probability of severe injury. It should not be considered for property damage unless personal injury risk is present.

**CAUTION**

Indicates a hazardous situation which *may result in a minor injury*. Caution should not be used when there is a possibility of serious injury. Caution should not be considered for property damage accidents unless a personal injury risk is present.

**Attention:** A situation where material could be damaged or the function impaired.

**Notice:** Indicates a statement of company policy as the message relates to the personal safety or protection of property. Notice should not be used when there is a hazardous situation or personal risk.

*Note:* Indicates important information that provides further instruction.

## CHAPTER 2: GENERAL SAFETY RECOMMENDATIONS

**WARNING**

Do not install, operate or service this product unless you have read and understand the General Safety Recommendations, Warning Labels, contained in this manual. Failure to do so may result in bodily injury, or property damage.

**WARNING**

Read, study and understand the installation and operating instructions contained in, or referenced in this manual before operating. If you do not understand the instruction, ask a qualified technician. Failure to do so may result in bodily injury, or property damage and will nullify all warranties.

**DANGER**

Disconnect all power to the junction box prior to making any electrical connections. Failure to do so may result in serious personal or fatal injury. When uncertain whether power supply is disconnected, always verify using a voltmeter.

**DANGER**

Do not place finger or uninsulated tools inside the electrical controller. Touching wires or other parts inside the enclosure may cause electrical shock, serious injury or death.

**CAUTION**

The Ground wire from the Opus Control 120 VAC Harness, and the Incoming 120 VAC Ground wire must be connected to the Ground screw located within the Swing door Header.

**CAUTION**

If the door appears broken or does not seem to work correctly, it should be immediately removed from service until repairs can be carried out or a qualified service technician is contacted for corrective action.

**Notice:** This manual, the owner's manual and all other associated manuals must be given to and retained by the purchasing facility or end user.

**Notice:** Wiring must meet all local, state, federal or other governing agency codes.

**Notice:** All electrical troubleshooting or service must be performed by qualified electrical technicians and must comply with all applicable governing agency codes.

## CHAPTER 3: SCOPE

### SECTION 3.1: To the Installer

The purpose of this manual is to familiarize the installer and purchaser with the proper installation and operation of this system. It is essential that this equipment be properly installed and operational before the door is used by the public. It is the installer’s responsibility to inspect the operation of the entrance system to be sure it complies with any applicable standards. In the United States, ANSI Standard 156.10 (GT-300 and GT-8300) or ANSI Standard 156.19 (GT-350 and GT-8350) covers these types of doors. Other local standards or codes may apply. Use them in addition to the ANSI standard.

The OHC Header assembly can be purchased as a stand alone unit and may be installed on other makes of doors and frames in lieu of the NABCO Complete Swing Door System. The GT-300, GT-8300, GT-350 and GT-8350 OHC swing door series is designed inline with the frame as a concealed unit.

If after troubleshooting a problem, a satisfactory solution cannot be achieved, please call Nabco Entrances at 1-877-622-2694 between 8 am – 4:30 pm Central time for additional assistance.

The owner should determine that the door is operating properly and should immediately call for service if there is any malfunction. All installation changes and adjustments must be made by qualified, NABCO trained technicians.

### SECTION 3.2: Objective

The GT-300, GT-8300, GT-350 and GT-8350 OHC swing door series is designed inline with the frame as a concealed unit. The door function is operated by the Opus Control. This manual offers step by step instructions.

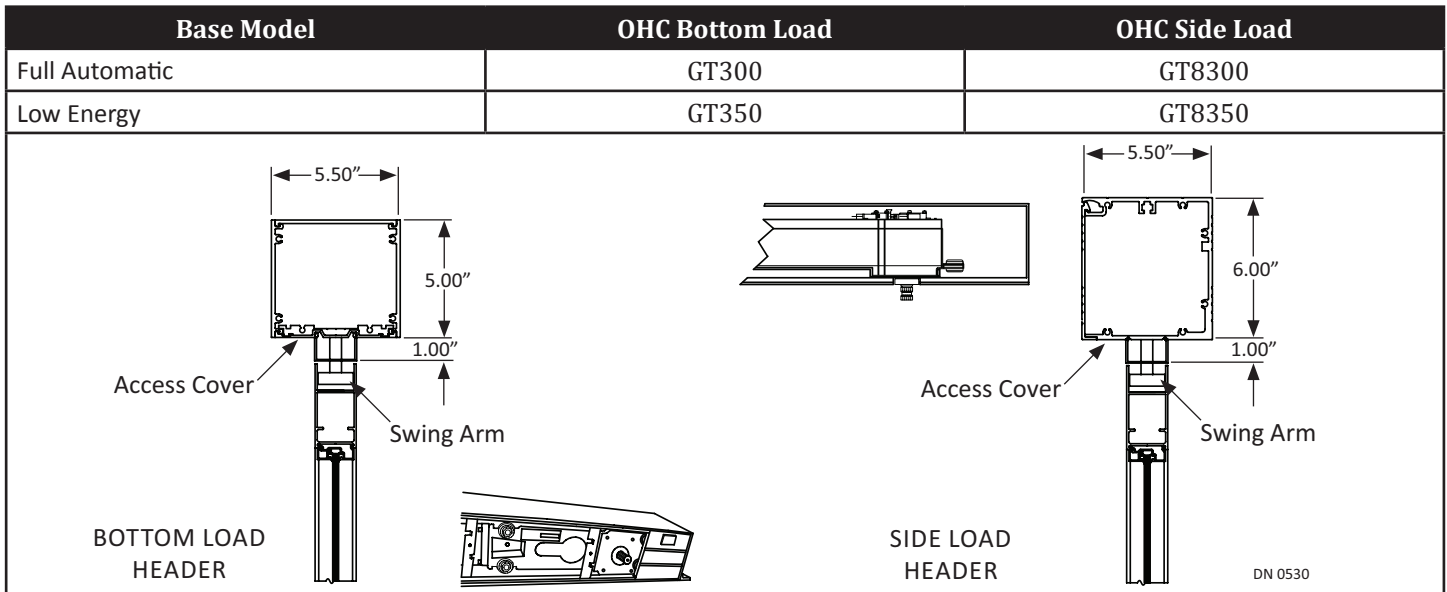
**CAUTION**

**A pedestrian Door that does not have its glass sections installed at the Factory shall specify that the glazing material employed is to comply with the requirement in UL 325 par.29.5.1:**

**“The glazing material in both fixed and sliding panels of all sliding doors and in all unframed swinging doors shall comply with the requirements in the Performance Specifications and Methods of Test for Safety Glazing Material Used in Buildings, ANSI Z97.1. Glazing material for other pedestrian doors shall also comply with ANSI Z97.1, except that single strength or heavier glass may be used for those portions of doors involving a glazed area of less than 1ft<sup>2</sup> (0.9 m<sup>2</sup>) and having no dimension greater than 18 in (457 mm)”.**

## CHAPTER 4: GETTING STARTED

### SECTION 4.1: Mechanical Configurations



**SECTION 4.2: Power Configurations**

**4.2.1 Full Power Swing Doors**

- ▶ Utilize Sensor(s) to open a Swing door.
  - Sensors activate the Control by detecting motion of pedestrians (or moving objects) that come into range.
- ▶ Must be compliant with ANSI Standard Code 156.10 to reduce chance of injury to pedestrians and wheeled traffic.

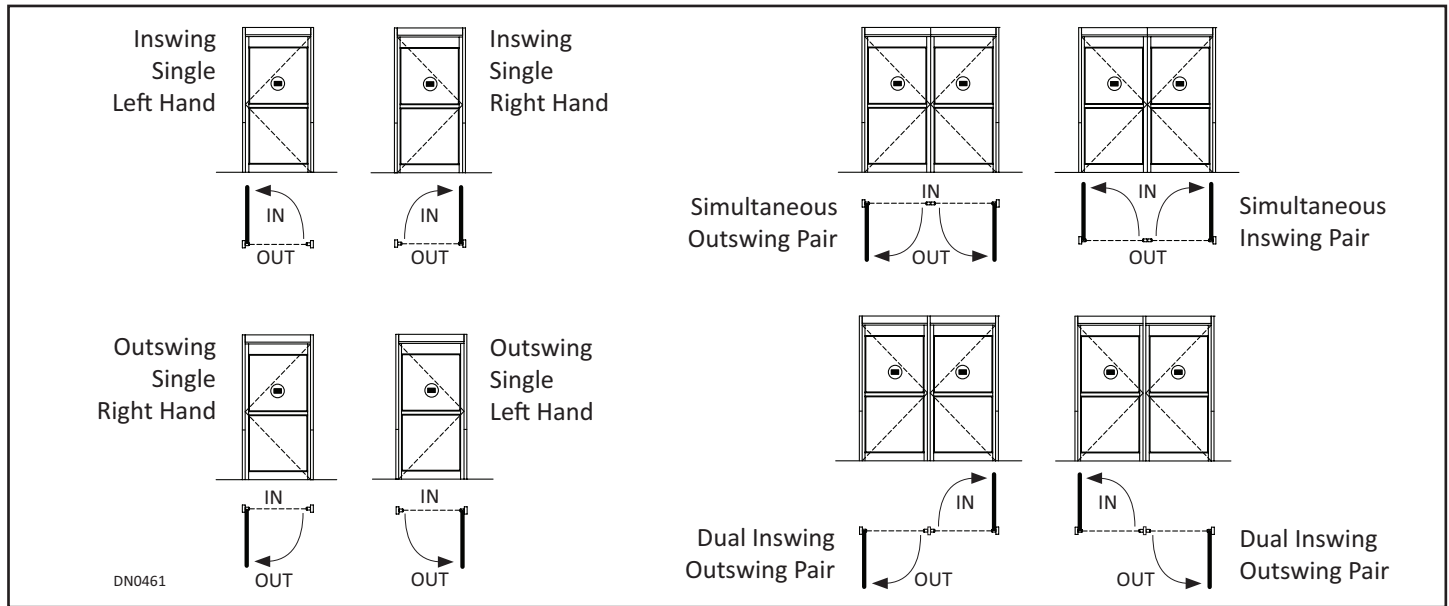
**4.2.2 Low Energy Swing Doors**

- ▶ Utilize a Knowing Act to open a Swing door.
  - A conscious effort that is carried out in many different ways, including (but not limited to): manually opening/closing a Swing door; pressing various types of Push Plates; turning a Key switch; flipping a Rocker Switch; utilizing a keypad or card reader, etc.
- ▶ Must be compliant with the ANSI Standard Code 156.19 to reduce chance of injury to pedestrians and wheeled traffic.

**SECTION 4.3: Door Frame Specifications**

Specification	Measurement	
Minimum Frame Face for Mounting	1-3/4 inches (44mm)	
Minimum Clearance from Top of Door to Ceiling	Bottom Load	Side Load
	6-1/8" (156 mm)	7-18" (181 mm)
Minimum Door Thickness	1-3/4 inches (44 mm)	

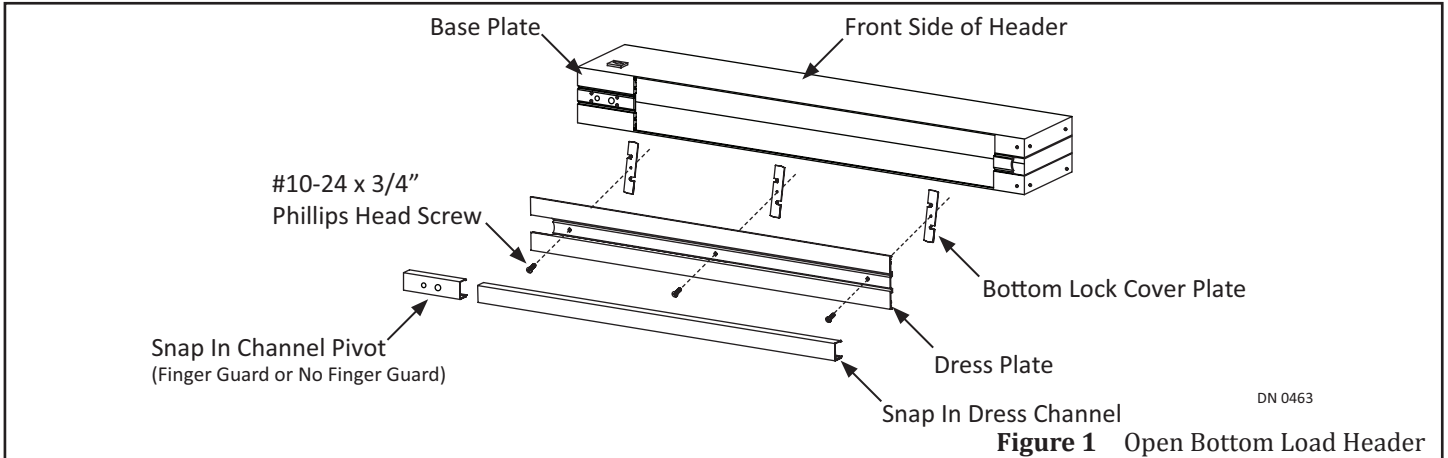
**SECTION 4.4: Handing**



**CHAPTER 5: INSTALL THE BOTTOM LOAD DOOR FRAME**

**SECTION 5.1: Prep the Bottom Load Header**

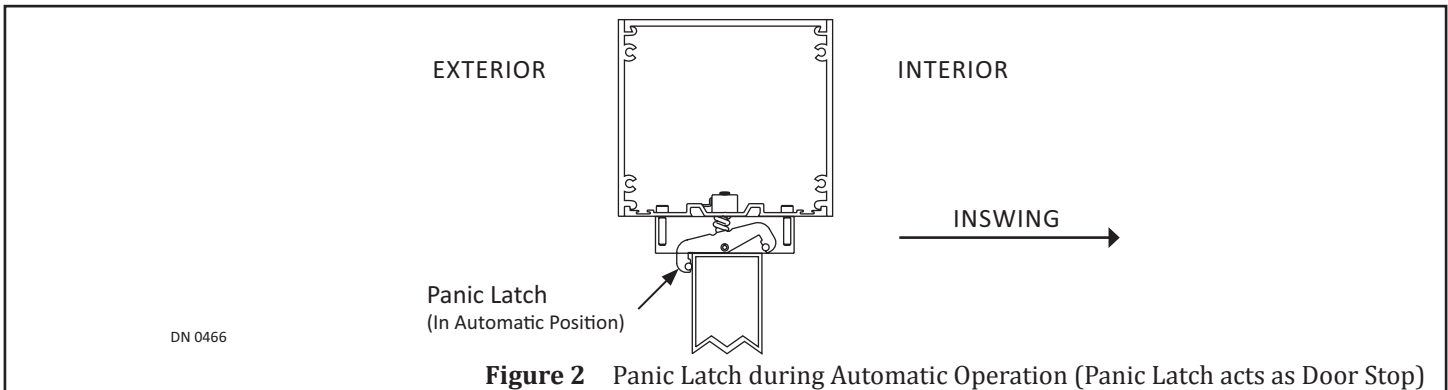
1. Place Header on flat surface with Bottom facing up. Protect Header from scratches.
2. Remove #10-24 x 3/4 inch screws and Dress Plate. Set aside.
3. Mark the locations of each Lock Cover Plate to ensure it is reinstalled in the correct position.
4. Remove Lock Cover Plates from bottom of Header, then boxes and/or parts bags from inside Header. Set Aside.



**Figure 1** Open Bottom Load Header

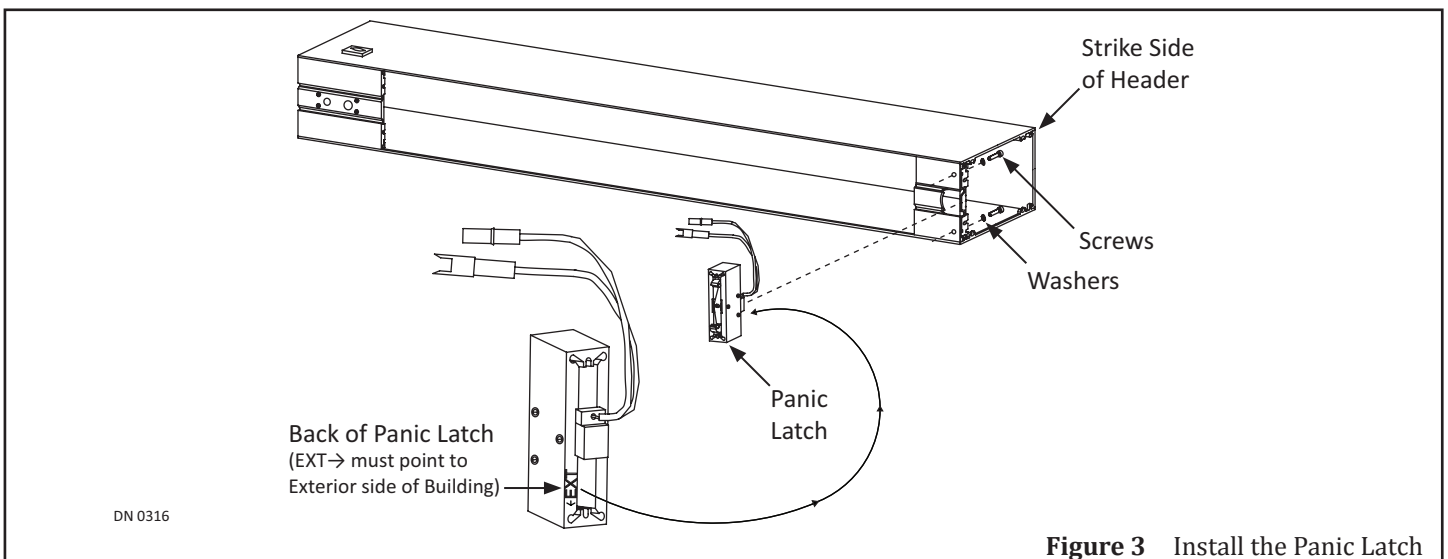
**SECTION 5.2: Install the Panic Latch (Inswing Doors only)**

- ▶ During Automatic Operation: the Inswing door opens to the Interior side of the building/room. The Panic Latch is then used as a Door Stop.
- ▶ During Emergency Operation: the Inswing door is manually pushed Out to the exterior side of the building/room (not to exceed 50 pounds of pressure; per ANSI code). The Panic Latch flips to allow emergency egress and immediately shuts the Swing door OFF.



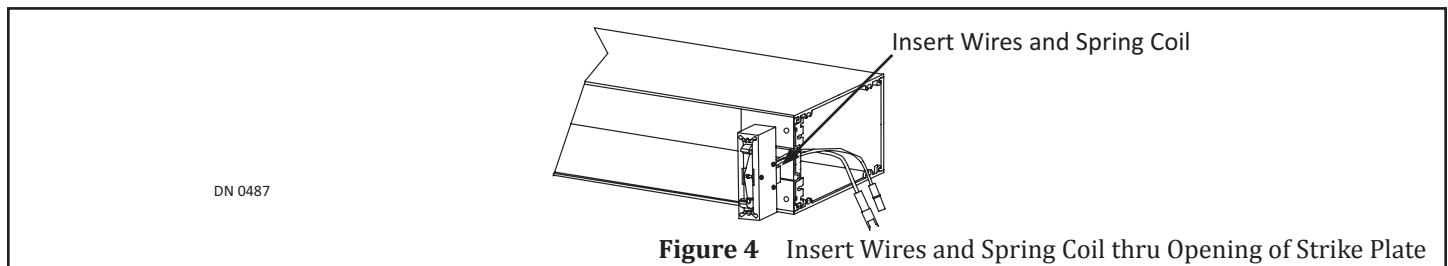
**Figure 2** Panic Latch during Automatic Operation (Panic Latch acts as Door Stop)

1. Obtain the Panic Latch. Remove (4) Socket Head Cap Screws and (4) Washers. Set aside.
2. Turn the Panic Latch so the (EXT→) (exit arrow) points to the Exterior side of the Building. Failure to do so, will install the Panic Latch backwards.



**Figure 3** Install the Panic Latch

3. Go to the bottom, Strike side of Header.
4. Insert the Panic Latch wires and spring coil into the opening until the Panic Latch butts up against the Header.
  - a. For wiring instructions please refer to P/N C-00139 Opus Wiring and Programming Manual.

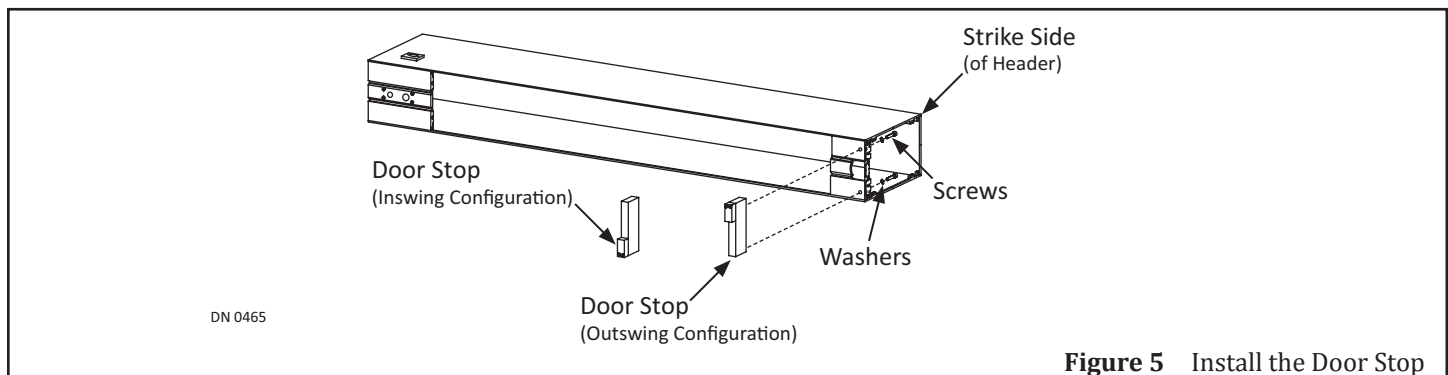


5. Secure the Panic Latch from inside the Header with (2) Socket Head Cap Screws and (2) Washers.
  - a. Do Not wire or test the Panic Latch at this time.

### SECTION 5.3: Install the Door Stop

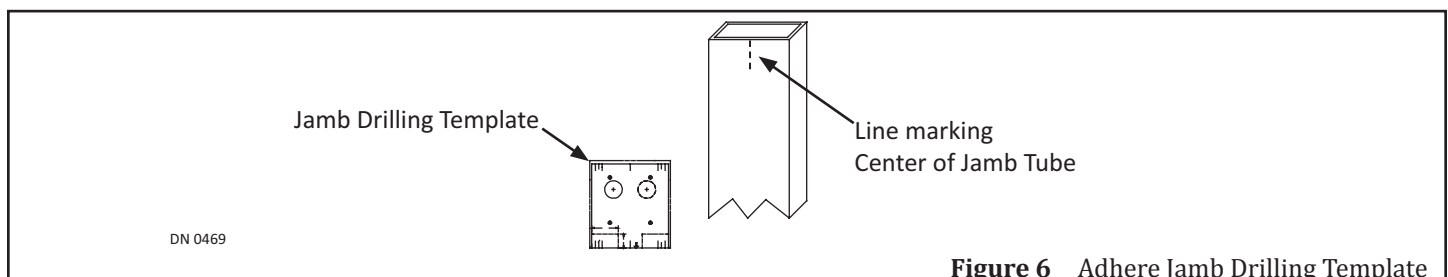
A Door Stop is used to stop the door from swinging farther back from the fully closed position.

1. Obtain the Door Stop.
2. Remove (4) Socket Head Cap Screws and (4) Washers. Set aside.
3. Go to the bottom, Pivot side of Header. Butt the Door Stop against the underside of the 3-1/4 inch Strike Base.
  - ▶ For an Outswing, the Stop end of Door Stop must face front side of Header.
  - ▶ For an Inswing, the Stop end of Door Stop must face back side of Header.
4. Secure Door Stop from inside Header with (2) Socket Head Cap Screws and (2) Washers.



### SECTION 5.4: Prep the Jamb Tubes

1. Measure the full height of existing Swing door.
2. Obtain (1) Jamb Drilling Template provided by NABCO.
3. Place the Jamb Drilling Template at the top of Jamb Tube so it is flush. Align the center to the previously drawn center mark.
4. Adhere the Jamb Drilling Template to each Jamb Tube. The Jamb Drilling Template is removable.



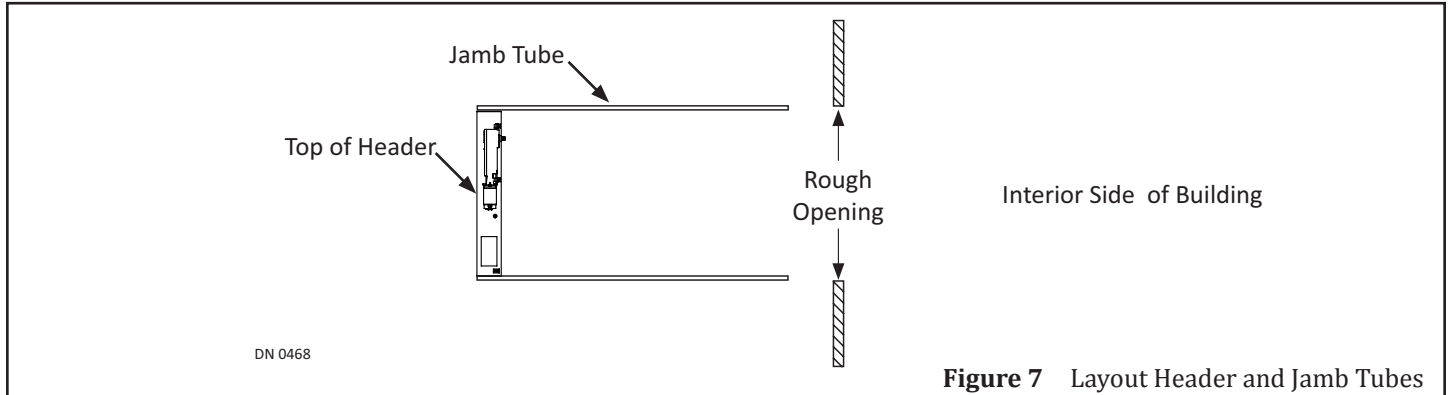
5. Drill (4) .391 diameter holes through (4) clearly marked (A)s on the Template. Countersink each screw hole.



- 6. Obtain (4) Rivnuts provided by NABCO. Install (1) Rivnut into each drilled .391 hole.
- 7. Drill (1) 1-1/4 inch diameter hole through (1 of 2) clearly marked (B)s on the Template to allow incoming 120 VAC Power.
  - a. The 120 VAC incoming power must be routed through the Strike Jamb, only.
- 8. Remove the Template from the Strike Jamb, then adhere same Template to the Pivot Jamb. Repeat steps.

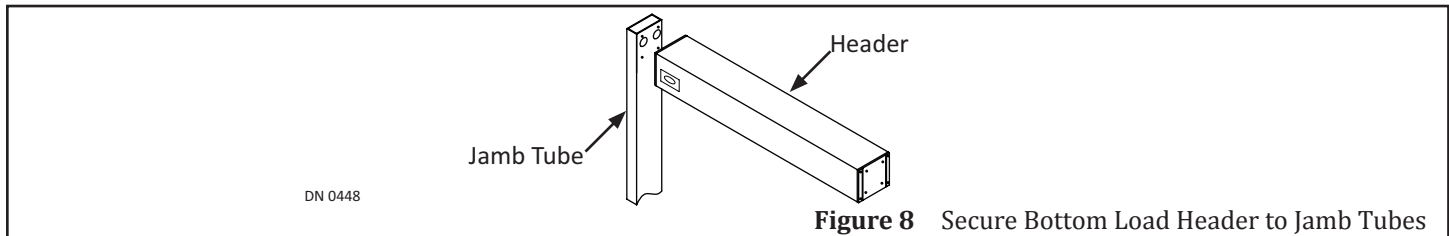
**SECTION 5.5: Install the Header to Jamb Tubes**

- 1. Determine which Jamb tube is the Pivot Jamb and the Strike Jamb.
  - ▶ Swing door pivots on side of Pivot Jamb.
  - ▶ Swing door locks on side of Strike Jamb.
- 2. Position each Jamb tube at both sides of the Header. Be sure to orientate the frame in relation to the outside of building/room.



**Figure 7** Layout Header and Jamb Tubes

- 3. Secure Header to both Jamb Tubes with (8) 1/4-20 x 3/4 inch Hex Head Cap Screws and (8) 1/4 inch Star Washers from the Parts bag provided within the Header.

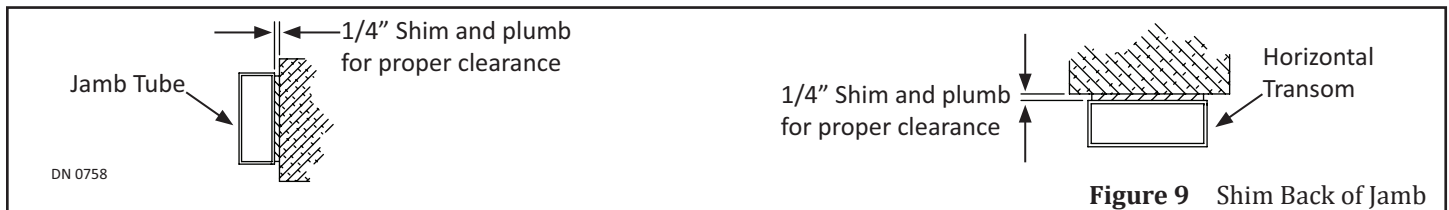


**Figure 8** Secure Bottom Load Header to Jamb Tubes

**SECTION 5.6: Install Door Frame to Building**

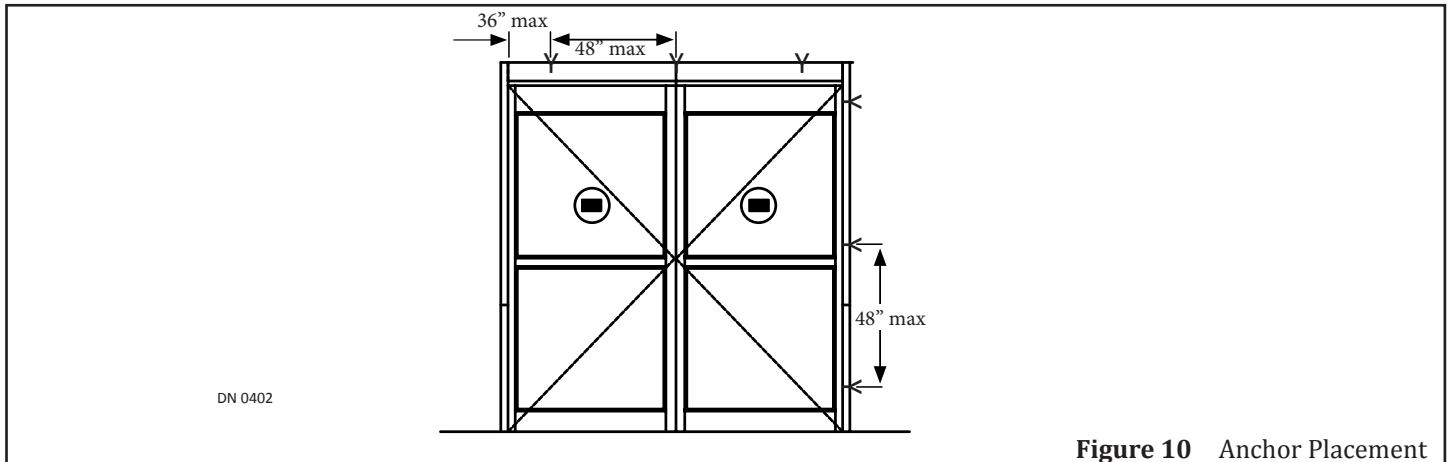
*Note: Incoming 120 VAC Power wires must be pulled through the Strike end of Header for a single Swing door or the middle of Header for a simultaneous pair Swing door. It is recommended to install wires into an Electrical conduit.*

- 1. Lift to position the assembled Frame into the rough opening. Insert all incoming wiring through the 1-1/4 inch hole located on the Strike side of Header.
- 2. Plumb Jamb tubes in both planes to ensure the rough opening allows a 1/4 inch clearance. Shim back of Jamb as required.
- 3. Plumb the Header at the top to ensure the rough opening allows a 1/4 inch clearance. Shim top of Header as required.



**Figure 9** Shim Back of Jamb

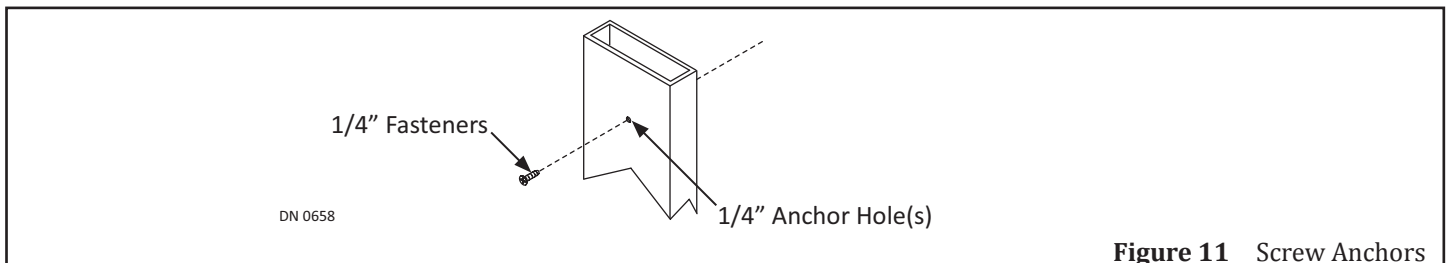
**Attention: Anchors and Fasteners must be appropriate for the type of structure being fastened into. Anchors and Fasteners are not provided by NABCO.**



*Note: It is recommended to countersink holes as required to flush the surface.*

*Note: It is recommended to drill tap threads for anchors in a steel or aluminum structure.*

4. Secure the Frame with Fasteners not provided by NABCO.

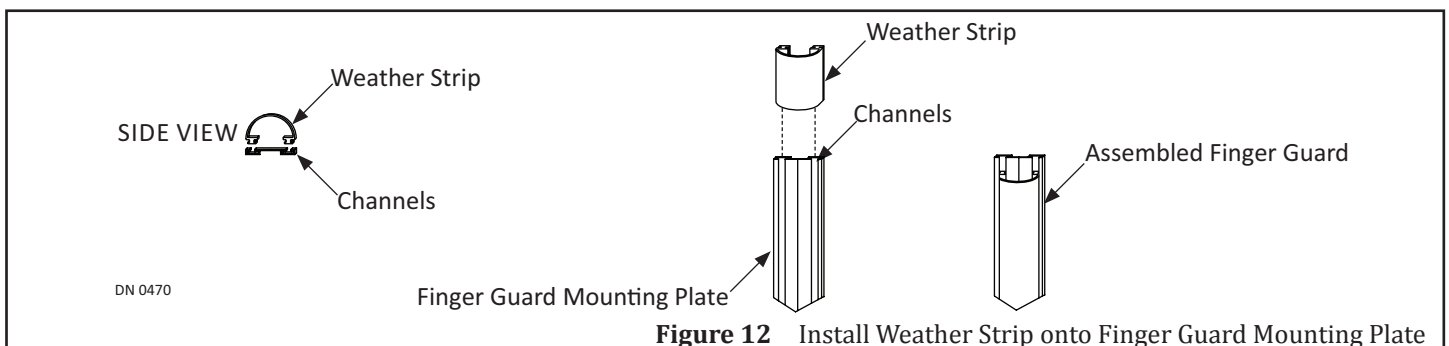


## SECTION 5.7: Install the Finger Guard

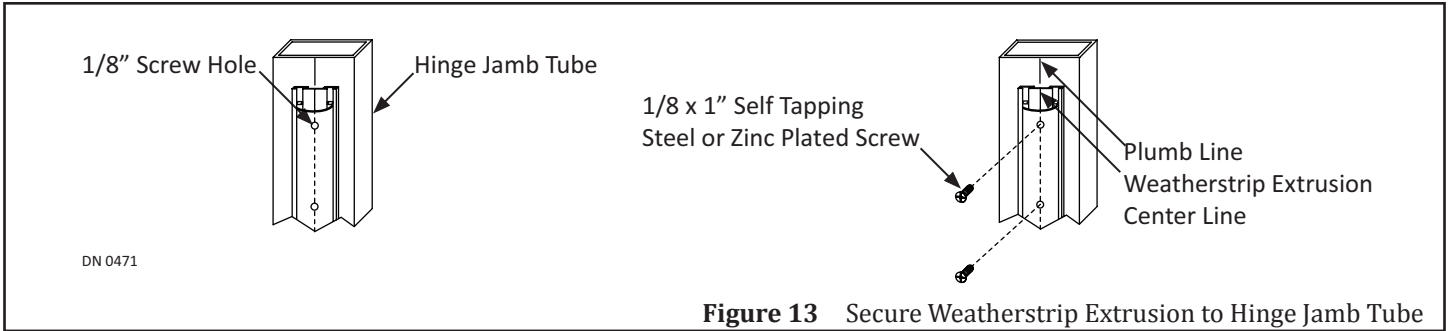
*Note: Screws must be appropriate for the type of structure being fastened into. Screws are not provided by NABCO.*

*Note: Do not overtighten screws to prevent deforming Weatherstrip Extrusion. Ensure each screw is flush to the Jamb tube.*

1. Go to the top of the Pivot Jamb tube, at the center, drop a Plumb Line to the floor.
2. Mark the Center line on the inside face of the Pivot Jamb Tube. It is recommended to use a level.
3. Insert the Weather Strip into both channels located on the Finger Guard Mounting Plate.
  - a. Spraying silicone (not included) inside the Channels may ease the insertion of the Weather Strip.



4. Line up the Center Notch located down the full length of the Finger Guard Mounting Plate, with the Center Mark located on the Pivot Jamb Tube. It is recommended to use a level.

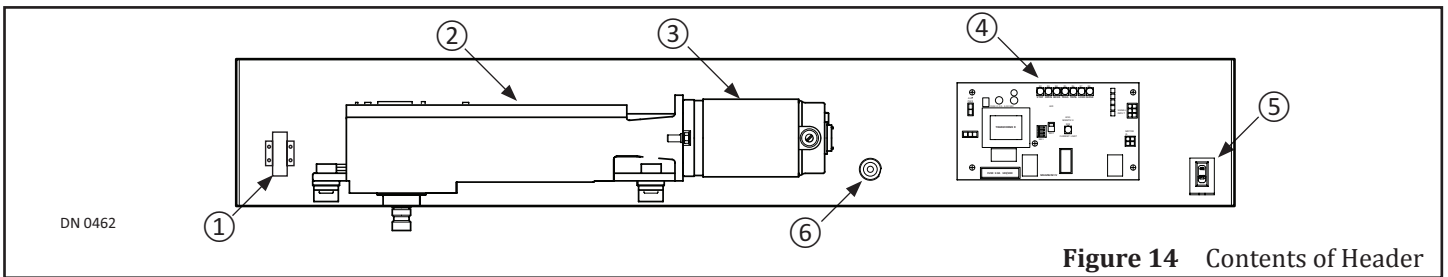


**Figure 13** Secure Weatherstrip Extrusion to Hinge Jamb Tube

5. Drill (3-4) 1/4 inch evenly spaced screw holes down the Finger Guard Assembly.
  - a. Each screw hole must go through the Weather Strip, Mounting Plate and the Pivot Jamb Tube.
6. Secure the Finger Guard Mounting Plate onto the Pivot Jamb with 1/4 x 1 inch self tapping Screws (zinc or steel plated).

**SECTION 5.8: Install Bottom Load Components**

*Note: Location of Contents within Header are subject to change according to Swing door specifications.*

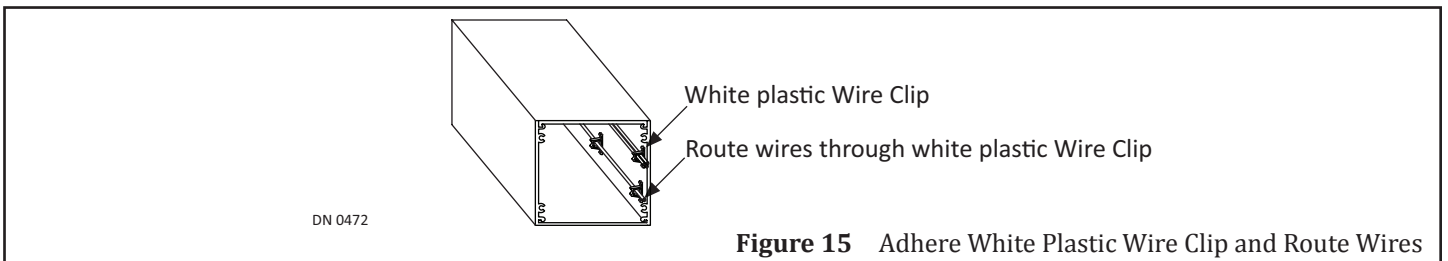


**Figure 14** Contents of Header

- |                           |                 |
|---------------------------|-----------------|
| 1. Transformer (Optional) | 4. Ground Screw |
| 2. Operator               | 5. Power Switch |
| 3. Motor                  | 6. Control      |

**SECTION 5.9: Secure Incoming Wires**

1. Adhere each (self sticking) Wire Clip to the sides of Header (near the top). Insert wiring (as deemed necessary).
  - a. 120 VAC Power wires must be routed separate from other wiring, to prevent pinching.

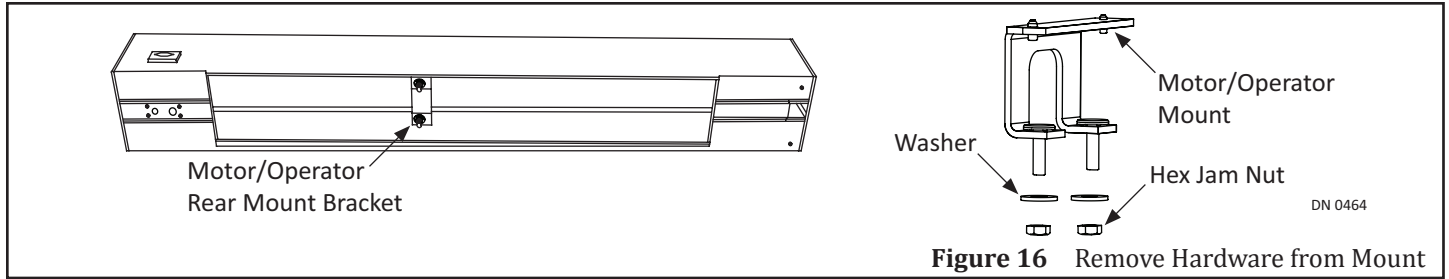


**Figure 15** Adhere White Plastic Wire Clip and Route Wires

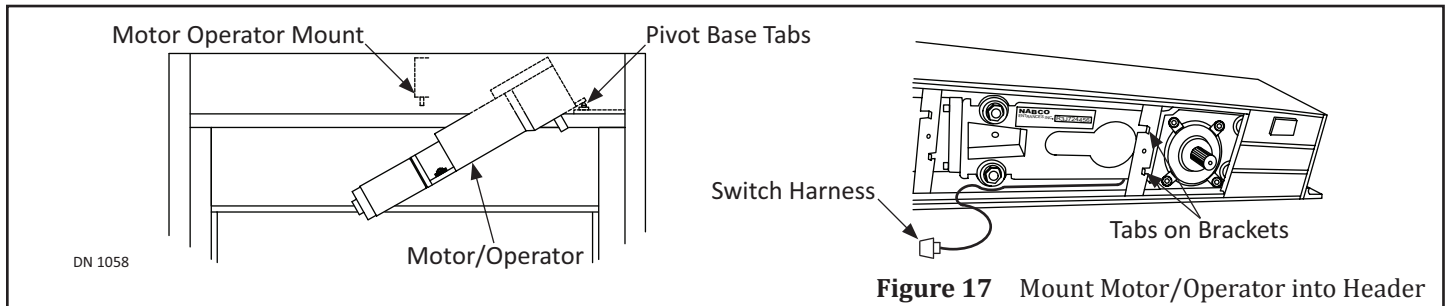
*Note: If 120 VAC Power wires must be installed from Hinge Side of Header, ensure that wires are securely clipped, to prevent pinching of the wires during the Motor/Operator installation process.*

**SECTION 5.10: Install Motor/Operator into Header**

1. Go to (inside) top of Header. Locate the Rear Mount Bracket.
2. With a 9/16 inch Deep Well Socket and Ratchet, remove (2) 3/8-16 Hex Jam Nuts and (2) Washers from (2) studs that extend downward from the Rear Mount Bracket. Set aside.
3. Hold the Front end of Motor/Operator at an upward angle to slide Front Mount onto (2) Pivot Base Tabs located inside of Header.



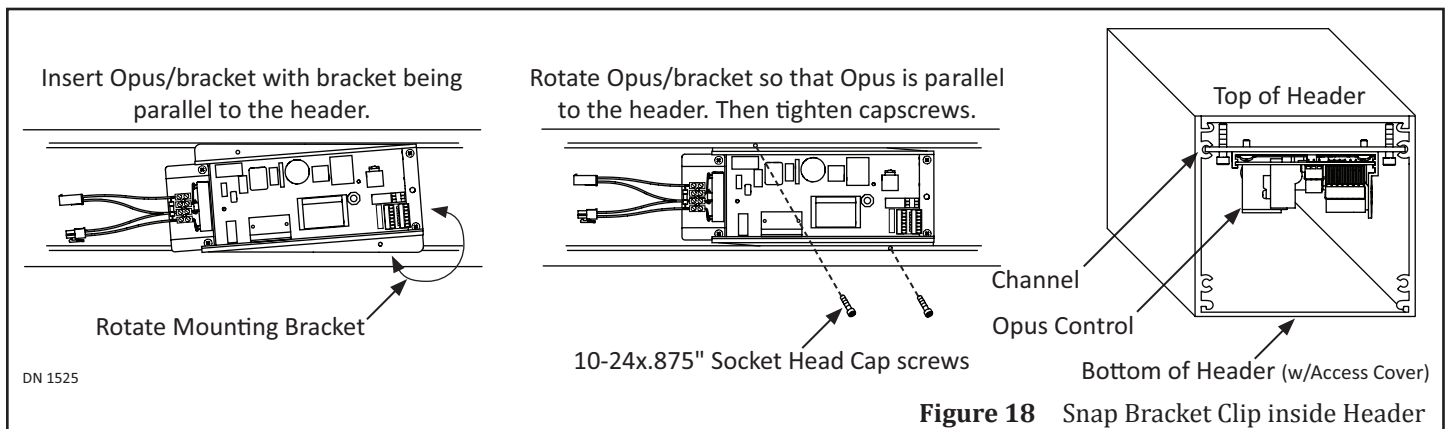
4. Lift the rear of the Motor Operator up onto (2) studs extending downward.
  - a. Ensure the Switch Harness is tucked between the back wall of Header and above the Mounting Bracket.
5. Secure the Motor/Operator with (2) 3/8-16 inch Hex Jam Nuts and (2) 7/16 x 1 inch Washers.
  - a. It is important not to pinch any wiring during the Motor/Operator installation.



**SECTION 5.11: Install the Opus Control**

*Note: It may be necessary to mount a Soft Starter Capacitor on the Operator prior to installing the Analog Control. For detailed information, please refer to the "Analog Control Wiring and Adjustment Manual; P/N 15-10745".*

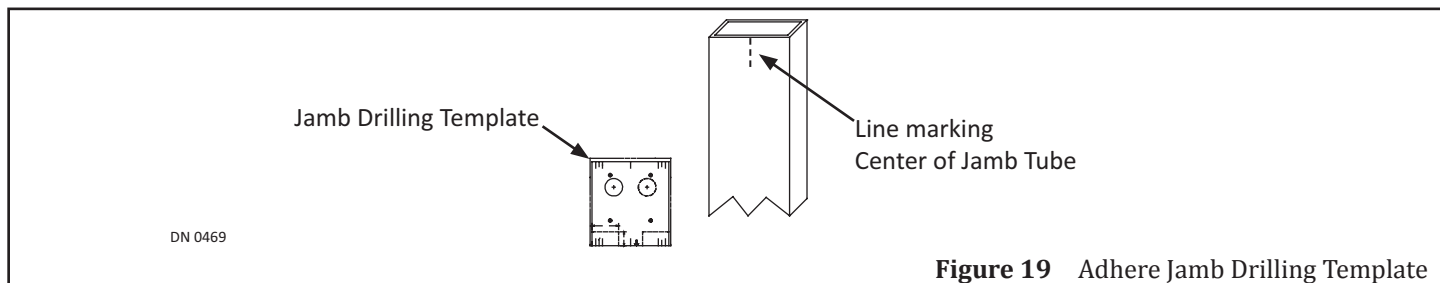
1. Obtain the Opus Control assembly. Locate where the Opus Control needs to be installed within the Header.
2. Insert the Opus Control with the Mounting Bracket at a 90 degree angle (Control will approximately be at a 4 degree angle).
3. Rotate the Opus Control until each side of the Mounting Bracket slides into each Channel located at the top; inside Header.
4. Secure the Mounting Bracket to the Header by tightening (2) 10-24x.875 inch Socket Head Cap screws, until the tip butts against the inside wall of the Header.



## CHAPTER 6: INSTALL THE SIDE LOAD DOOR FRAME

### SECTION 6.1: Prep the Jamb Tubes

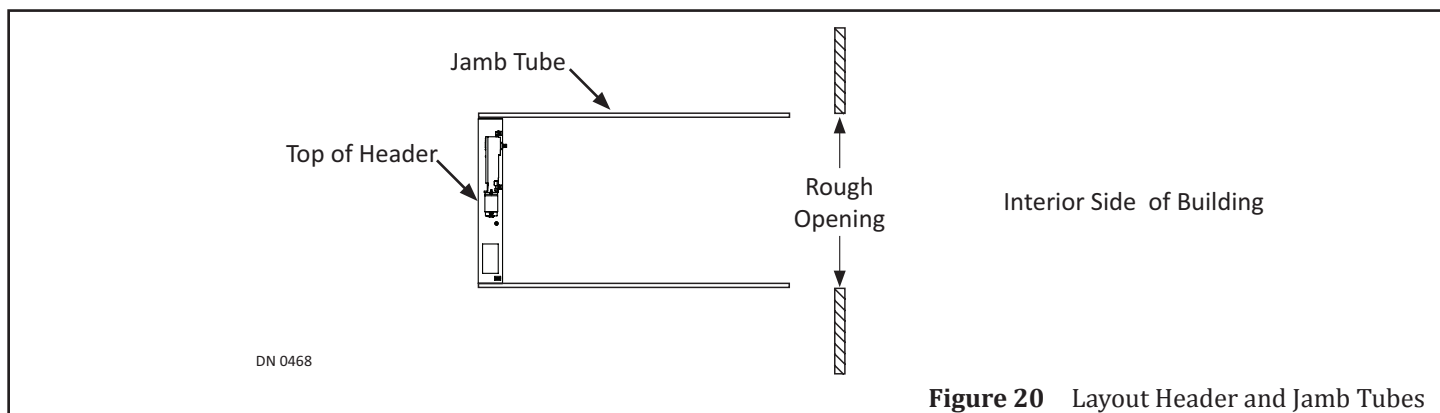
1. Measure the full height of existing Swing door.
2. Obtain (1) Jamb Drilling Template provided by NABCO.
3. Place the Jamb Drilling Template at the top of Jamb Tube so it is flush. Align the center to the previously drawn center mark.
4. Adhere the Jamb Drilling Template to each Jamb Tube. The Jamb Drilling Template is removable.



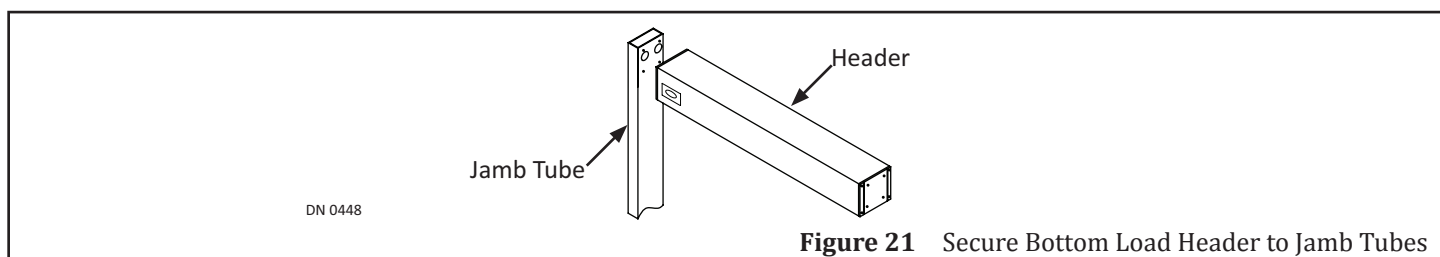
5. Drill (4) .391 diameter holes through (4) clearly marked (A)s on the Template. Countersink each screw hole.
6. Obtain (4) Rivnuts provided by NABCO. Install (1) Rivnut into each drilled .391 hole.
7. Drill (1) 1-1/4 inch diameter hole through (1 of 2) clearly marked (B)s on the Template to allow incoming 120 VAC Power.
  - a. The 120 VAC incoming power must be routed through the Strike Jamb, only.
8. Remove the Template from the Strike Jamb, then adhere same Template to the Pivot Jamb. Repeat steps.

### SECTION 6.2: Install the Header to Jamb Tubes

1. Determine which Jamb tube is the Pivot Jamb and the Strike Jamb.
  - ▶ Swing door pivots on side of Pivot Jamb.
  - ▶ Swing door locks on side of Strike Jamb.
2. Position each Jamb tube at both sides of the Header. Be sure to orientate the frame in relation to the outside of building/room.



3. Secure Header to both Jamb Tubes with (8) 1/4-20 x 3/4 inch Hex Head Cap Screws and (8) 1/4 inch Star Washers from the Parts bag provided within the Header.

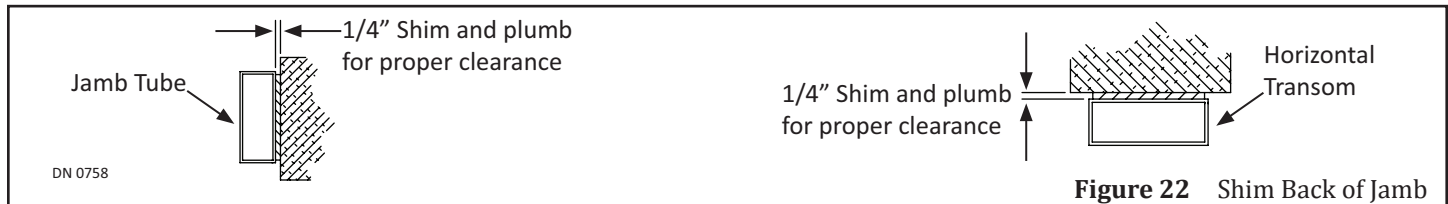


### SECTION 6.3: Install the Door Frame to Building

1. Lift to position the assembled Frame into the rough opening. Insert all incoming wiring through the 1-1/4 inch hole located on the Strike side of Header.

*Note: Incoming 120 VAC Power wires must be pulled through the Strike end of Header for a single Swing door or the middle of Header for a simultaneous pair Swing door. It is recommended to install wires into an Electrical conduit.*

2. Plumb Jamb tubes in both planes to ensure the rough opening allows a 1/4 inch clearance. Shim back of Jamb as required.
3. Plumb the Header at the top to ensure the rough opening allows a 1/4 inch clearance. Shim top of Header as required.

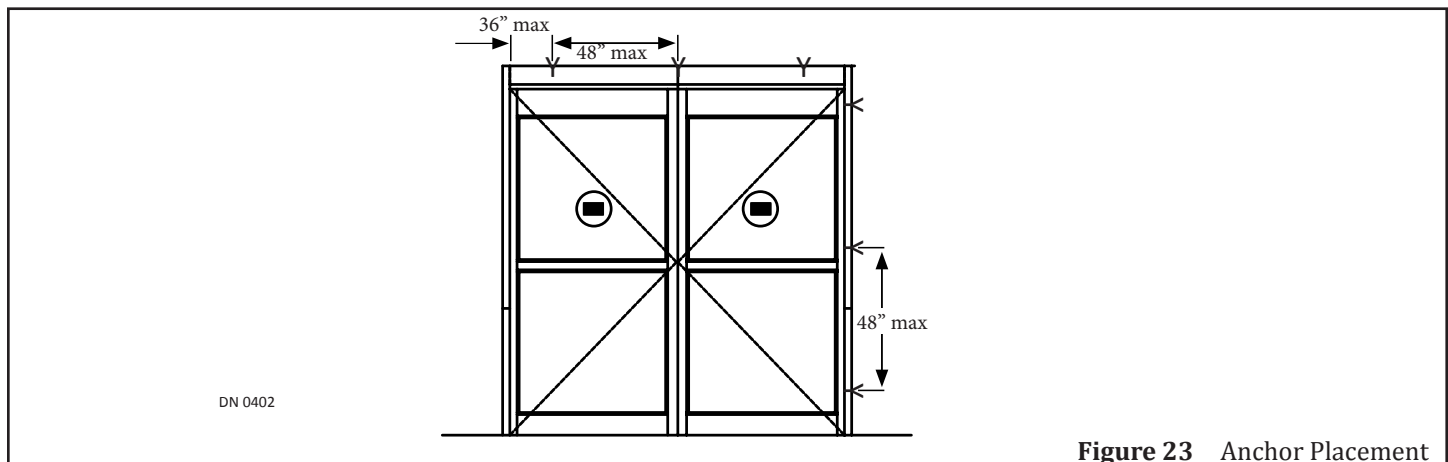


**Attention: Anchors and Fasteners must be appropriate for the type of structure being fastened into. Anchors and Fasteners are not provided by NABCO.**

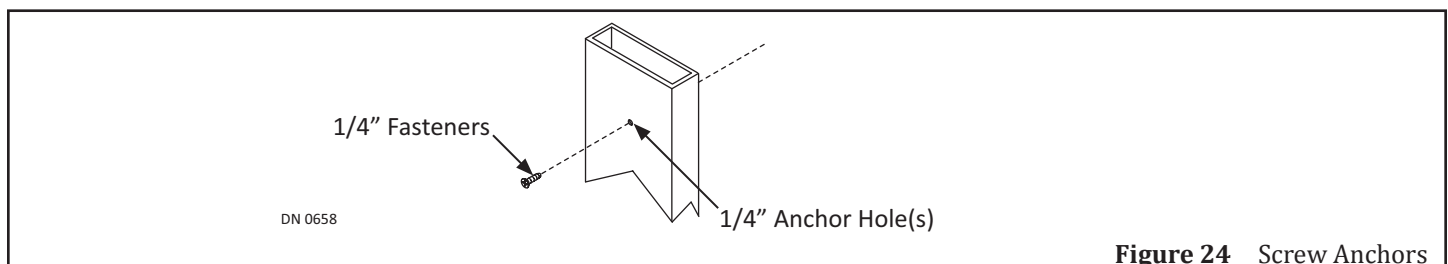
*Note: It is recommended to countersink holes as required to flush the surface.*

*Note: It is recommended to drill tap threads for anchors in a steel or aluminum structure.*

Use 1/4 inch diameter anchors with a minimum of 3 per Jamb Tube, maximum is 48 inches on center. Drill 1/4 inch diameter holes in the face of Jamb and then countersink each hole. Anchors and Fasteners must be appropriate for the type of structure being fastened into. Anchors and Fasteners are not provided by NABCO.



4. Secure the Frame with Fasteners not provided by NABCO.



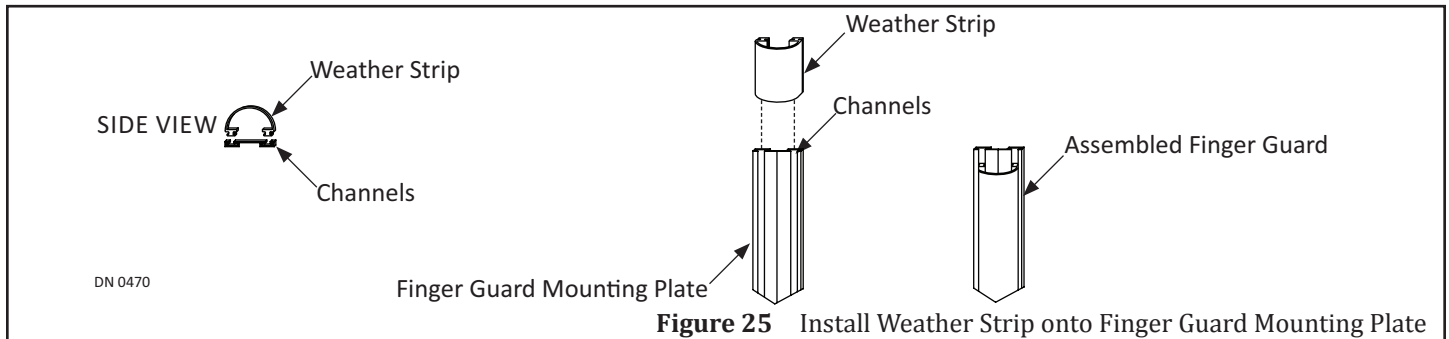
### SECTION 6.4: Install the Finger Guard

*Note: Screws must be appropriate for the type of structure being fastened into. Screws are not provided by NABCO.*

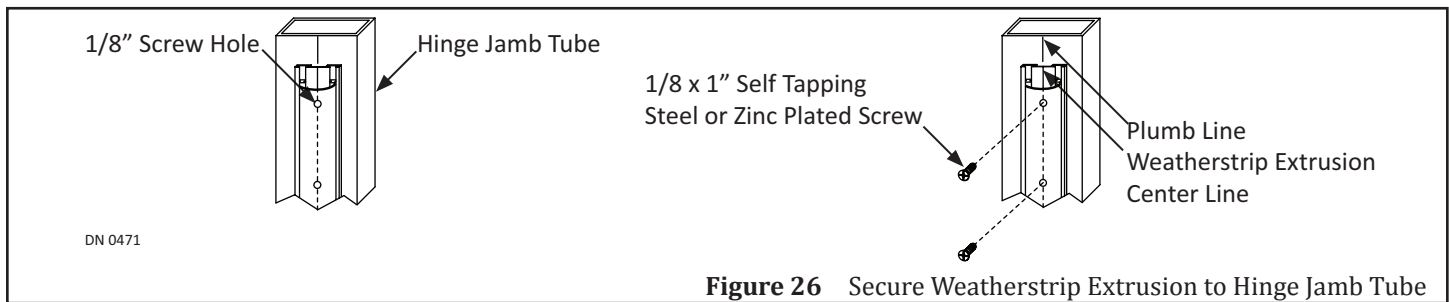
*Note: Do not overtighten screws to prevent deforming Weatherstrip Extrusion. Ensure each screw is flush to the Jamb tube.*

1. Go to the top of the Pivot Jamb tube, at the center, drop a Plumb Line to the floor.
2. Mark the Center line on the inside face of the Pivot Jamb Tube. It is recommended to use a level.

3. Insert the Weather Strip into both channels located on the Finger Guard Mounting Plate.
  - a. Spraying silicone (not included) inside the Channels may ease the insertion of the Weather Strip.



4. Line up the Center Notch located down the full length of the Finger Guard Mounting Plate, with the Center Mark located on the Pivot Jamb Tube. It is recommended to use a level.



5. Drill (3-4) 1/4 inch evenly spaced screw holes down the Finger Guard Assembly.
  - a. Each screw hole must go through the Weather Strip, Mounting Plate and the Pivot Jamb Tube.
6. Secure the Finger Guard Mounting Plate onto the Pivot Jamb with 1/4 x 1 inch self tapping Screws (zinc or steel plated).

## CHAPTER 7: 120 VAC GENERAL WIRING

**WARNING**

Shut the installation site branch Circuit Breaker OFF. Failure to do so may result in serious personal or fatal injury. When uncertain whether power supply is disconnected, always verify using a voltmeter.

**WARNING**

All high voltage electrical connections must be made by licensed electricians according to National and Local electrical codes/regulations.

**CAUTION**

Permanent wiring shall be employed as required by local codes.

**CAUTION**

Electrical circuit to Nabco operator must not be not shared with other equipment such as lighting, cash registers, or any device that might cause electrical interference on the circuit.

**CAUTION**

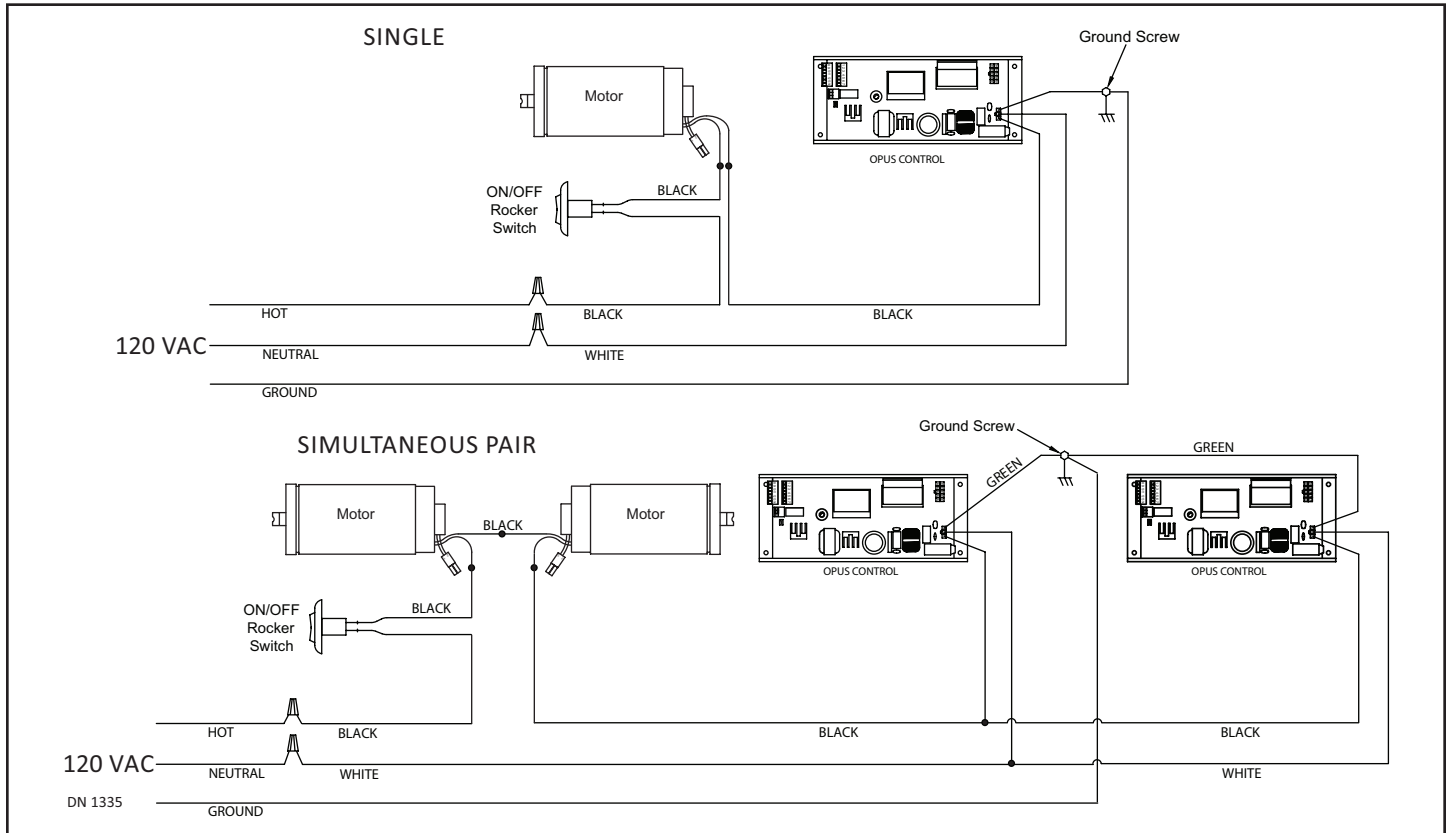
Keep sufficient spacing between high-voltage and low-voltage wiring. 120 VAC Power wires must be routed (separate from other wiring) located near the top of inside Header.

**CAUTION**

Ensure that incoming electrical ground is properly secured to the grounding screw or grounding wire, whichever is provided.

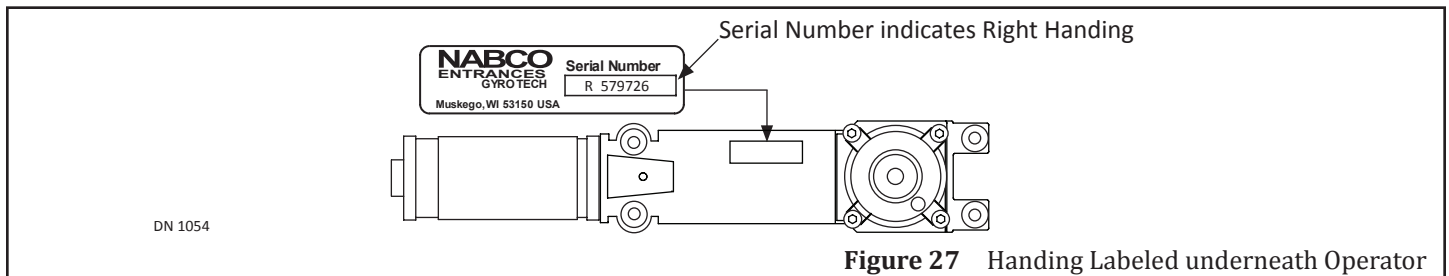
**Attention:** Insert all Incoming 120 VAC Power wires into the pre drilled Electric Service Access Hole located at the left or right side of Header End Cap.

*Note:* It is recommended for the Installer to house all Incoming 120 VAC wires within an Electrical Conduit.



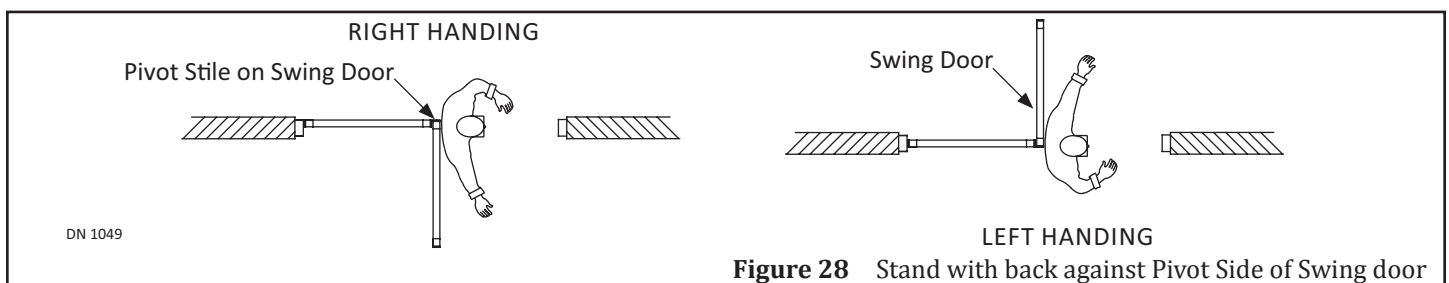
## CHAPTER 8: HANDING

### SECTION 8.1: How to Determine Handing



**Figure 27** Handing Labeled underneath Operator

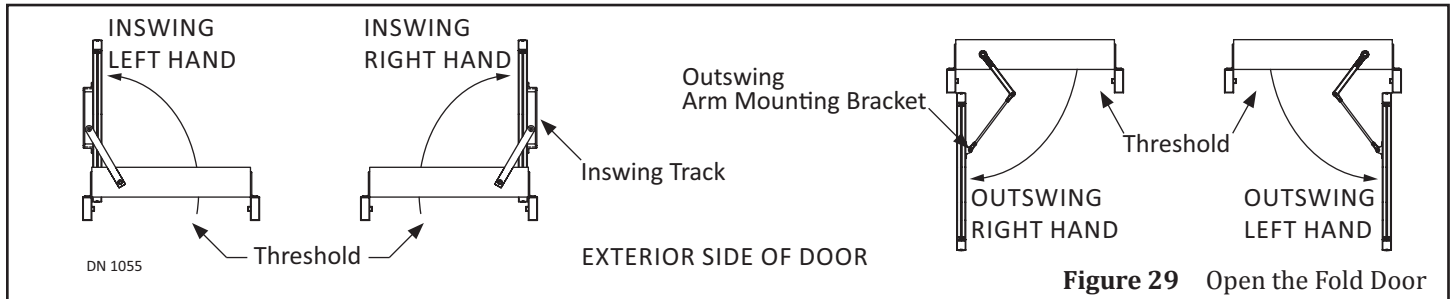
- ▶ Locate the Serial Number underneath the Operator. The Letter (L) or (R) located in front of the Serial Number indicates the Handing.



**Figure 28** Stand with back against Pivot Side of Swing door

- ▶ Stand underneath the Header and open the Swing door. Butt your back against the Pivot side. Swing out your (right or left) arm in the direction the Swing door opened. If you swing out your Right Arm the Swing Door is Right Handed. If you swing out your Left arm the Swing Door is Left Handed.



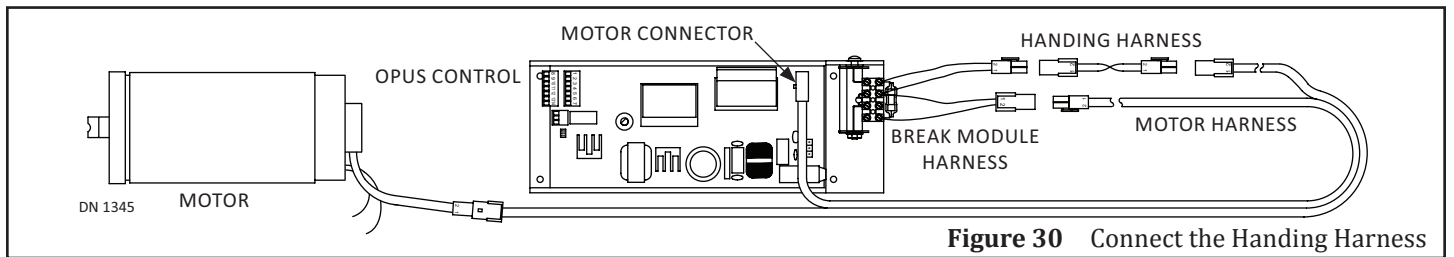


**Figure 29** Open the Fold Door

► If the Swing Arm does not swing underneath the Threshold to open, it is an Inswing Unit, and vice versa.

**SECTION 8.2: Install the Handing Harness (for Right Handed Units only)**

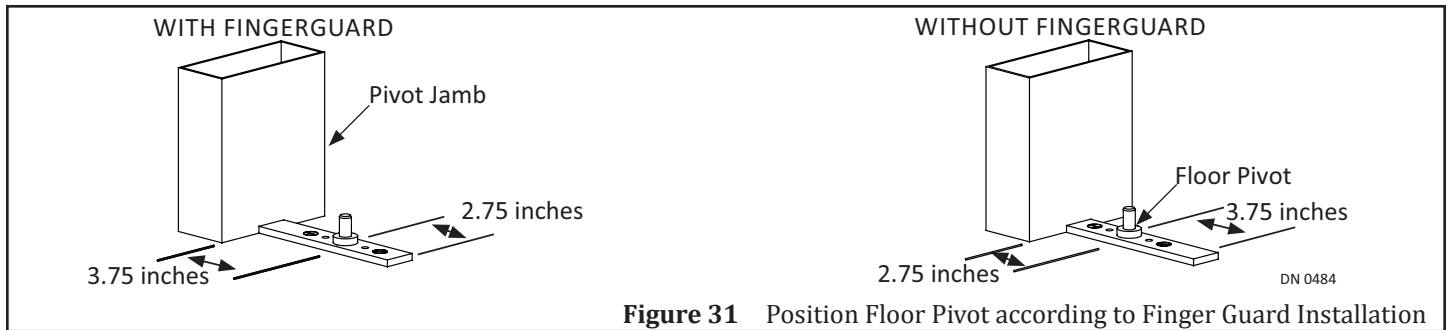
1. Obtain the Handing Harness. Connect the (Break Module Harness) Female Pin to the Male Pin Housing (Handing Harness)
2. Connect the (Break Module Harness) Male Pin Housing to the Female Pin (Handing Harness).



**Figure 30** Connect the Handing Harness

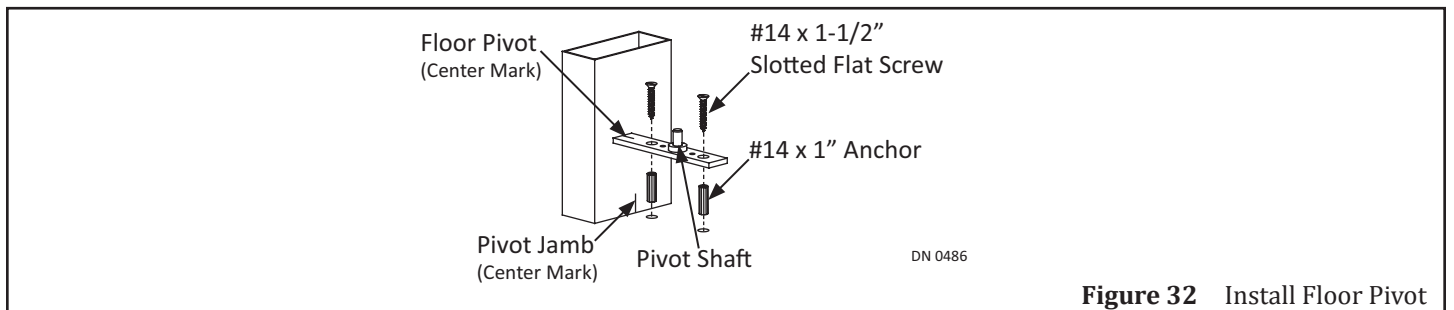
**CHAPTER 9: INSTALL THE FLOOR PIVOT**

1. Obtain the Floor Pivot Assembly. The Pivot Shaft is not centered on the Floor Pivot. One end is used:
  - With the Finger Guard; so the Pivot Shaft measures 3.75 inches away from the Pivot Jamb.
  - Without the Finger Guard; so the Pivot Shaft measures 2.75 inches away from the Pivot Jamb.



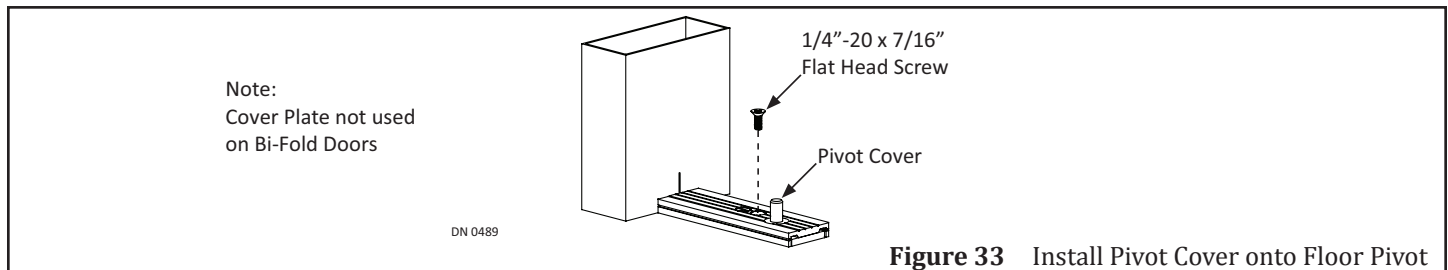
**Figure 31** Position Floor Pivot according to Finger Guard Installation

2. Mark the center of the Pivot Jamb and the Floor Pivot. Butt the center mark of the Floor Pivot up against the center mark of the Pivot Jamb.
3. Align both Pivot Shafts. Drop a Plumb Line (down the center) from the Top Pivot Shaft to the Floor Pivot Shaft.
4. Use the Floor Pivot as a template to mark and drill (2) holes for #14 x 1 inch Blue anchors provided by NABCO.
5. Insert (2) #14 x 1" Blue anchors into each hole. Secure the Floor Pivot with (2) #14 x 1-1/2 inch Slotted Flat Head Screws.

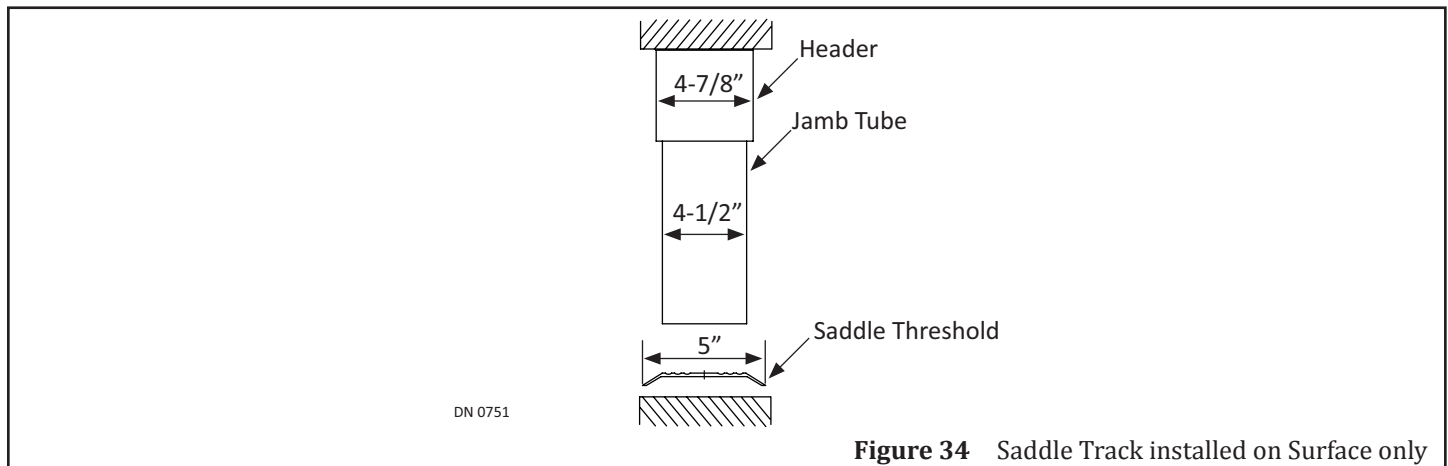


**Figure 32** Install Floor Pivot

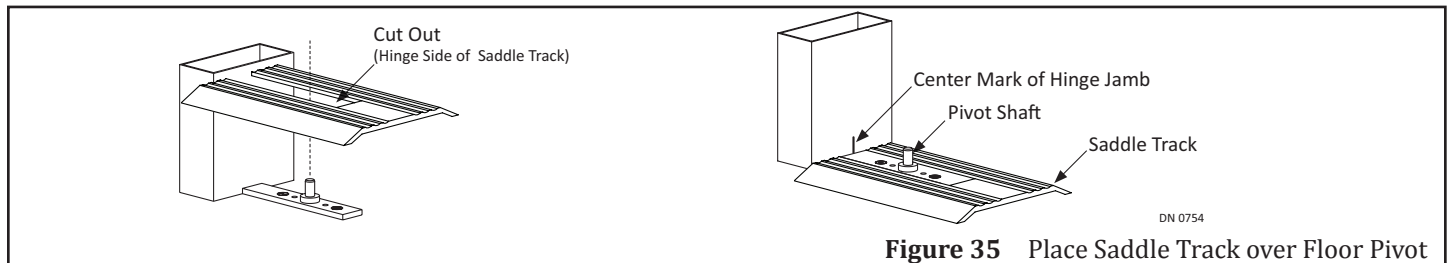
- Secure the Pivot Cover with (1) 1/2-20 x 7/16 inch Flat Head Machine Screw.



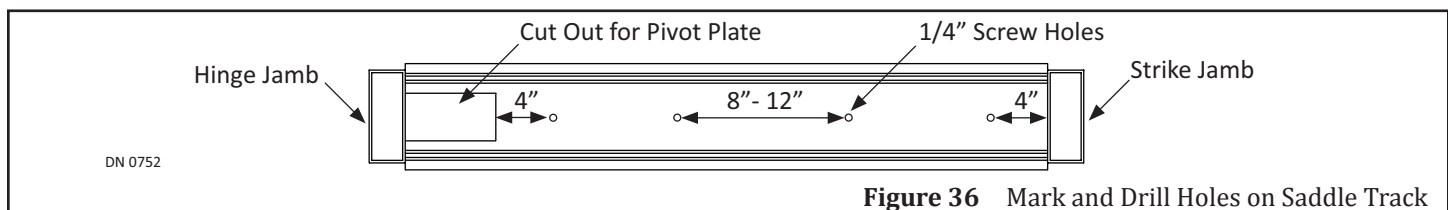
### SECTION 9.1: Lay down the Saddle Threshold over the Floor Pivot



- Obtain the Saddle Threshold. The Pivot Side of the Saddle Threshold has a cut out for the Pivot Plate. Place the Pivot Side of the Saddle Threshold over the Floor Pivot Assembly. Ensure the Saddle Track is centered to the Strike Jamb and square.

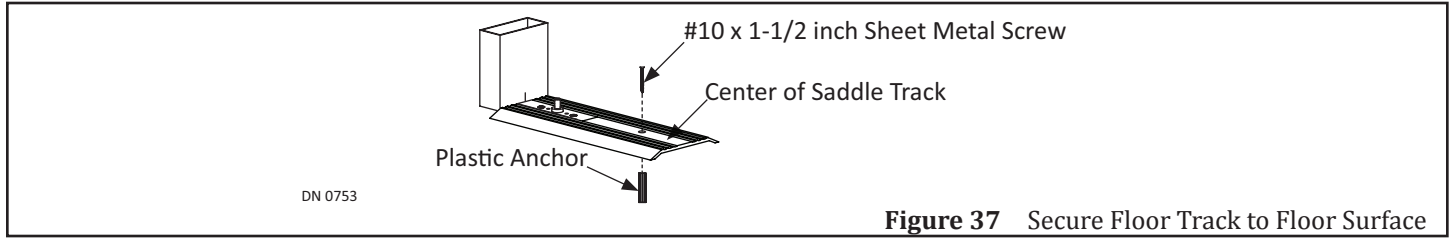


- Square and center the Saddle Threshold to the Strike Jamb.
- Obtain #10 x 1-1/2 inch sheet metal screws and anchors (per length of the Saddle Threshold).
- In the center of the Saddle Threshold, approximately 4 inches from the cutout for the Pivot Plate, mark (1) screw hole.
- In the center of the Saddle Threshold, approximately 4 inches from the Strike Jamb, mark (1) screw hole.



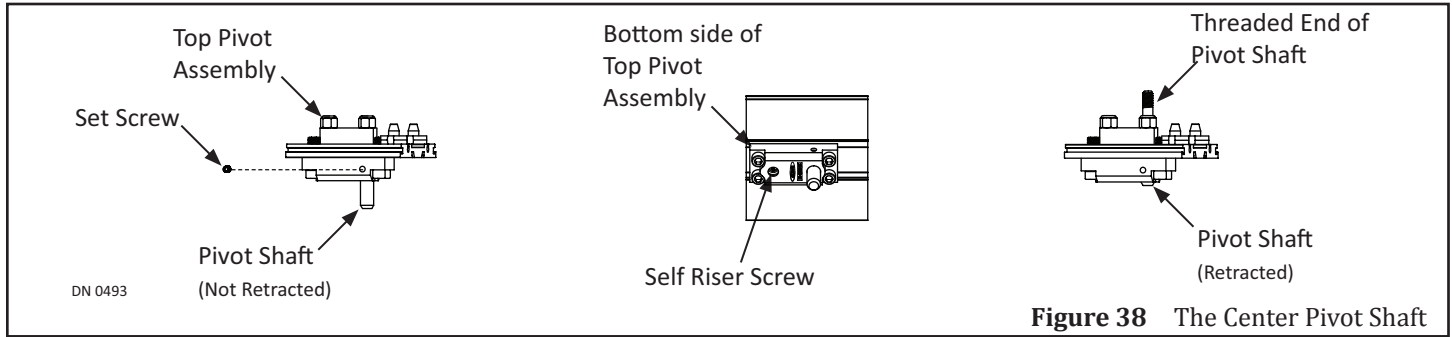
- Mark remaining screw holes 8 - 12 inches apart and evenly spaced.
- Drill screw holes into the floor no less than 1-1/2 inch deep for #14 x 1" anchors.
- Remove the Saddle Threshold. Set aside.
- Insert #14 x 1" plastic anchors into the drilled screw holes.

- 10. Replace the Pivot Side of the Saddle Threshold over the Floor Pivot Assembly.
- 11. Do not permanently install the Saddle Threshold until the Swing Door is completely installed.

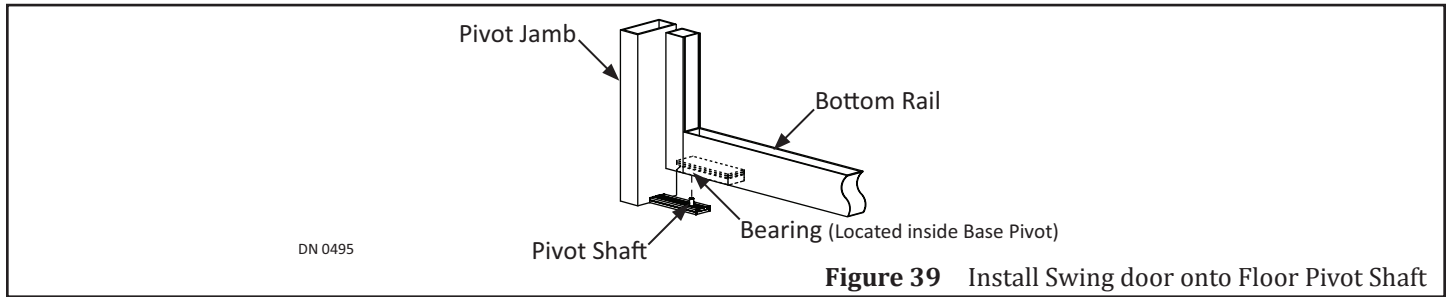


**CHAPTER 10: INSTALL THE SWING DOOR (PROVIDED BY NABCO)**

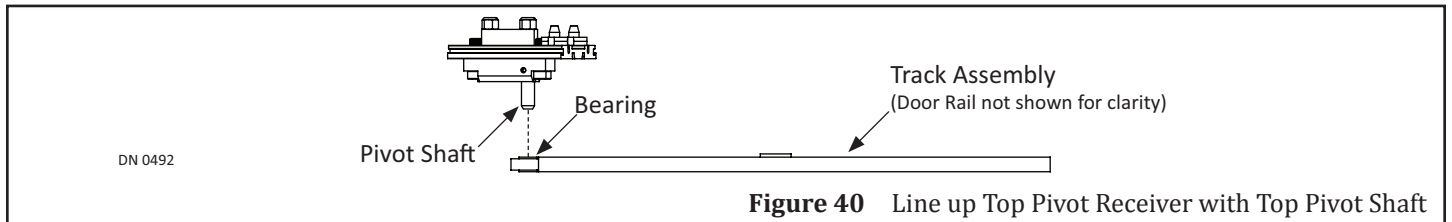
- 1. Go to the Pivot side of Header. Loosen the Set Screw located directly above the Pivot Shaft.
- 2. Go to the Self Riser screw located underneath the top Pivot. Turn the Self Riser Screw counter-clockwise to retract the Center Pivot Shaft.



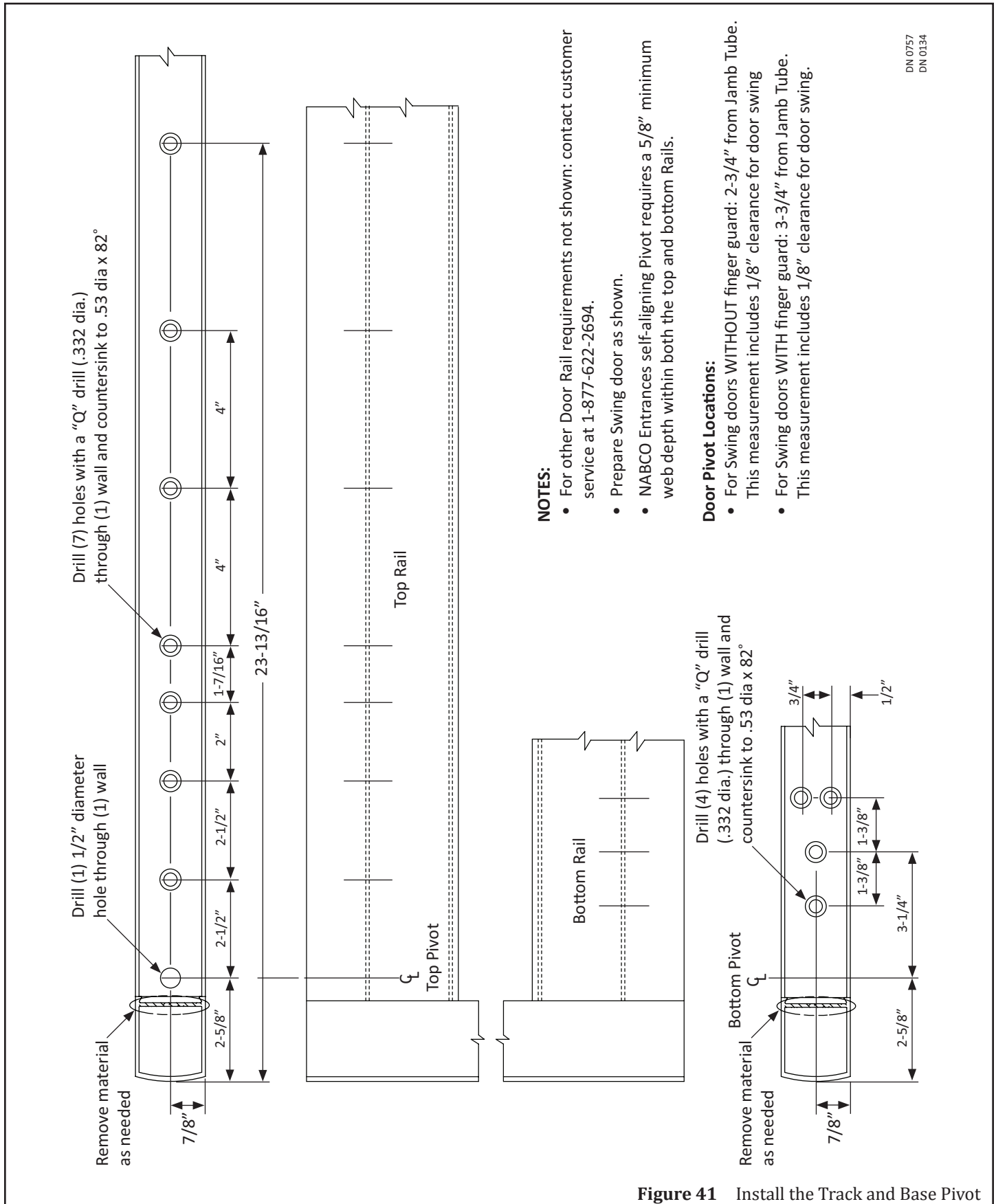
- 3. Go to the bottom Pivot Assembly. Insert the Ball Bearing onto the Floor Pivot Shaft.



- 4. Go to the Top Rail. Locate the Track Assembly.
- 5. With a flat head screwdriver, turn the Self Riser Screw clockwise until the Riser Bar is all the way down into the Bearing.
  - a. Tighten the Riser Bar tight to the base Pivot Plate to ensure the Pivot Shaft is fully engaged inside the Bushing.



## CHAPTER 11: INSTALL THE SWING DOOR (NOT PROVIDED BY NABCO)



**Figure 41** Install the Track and Base Pivot

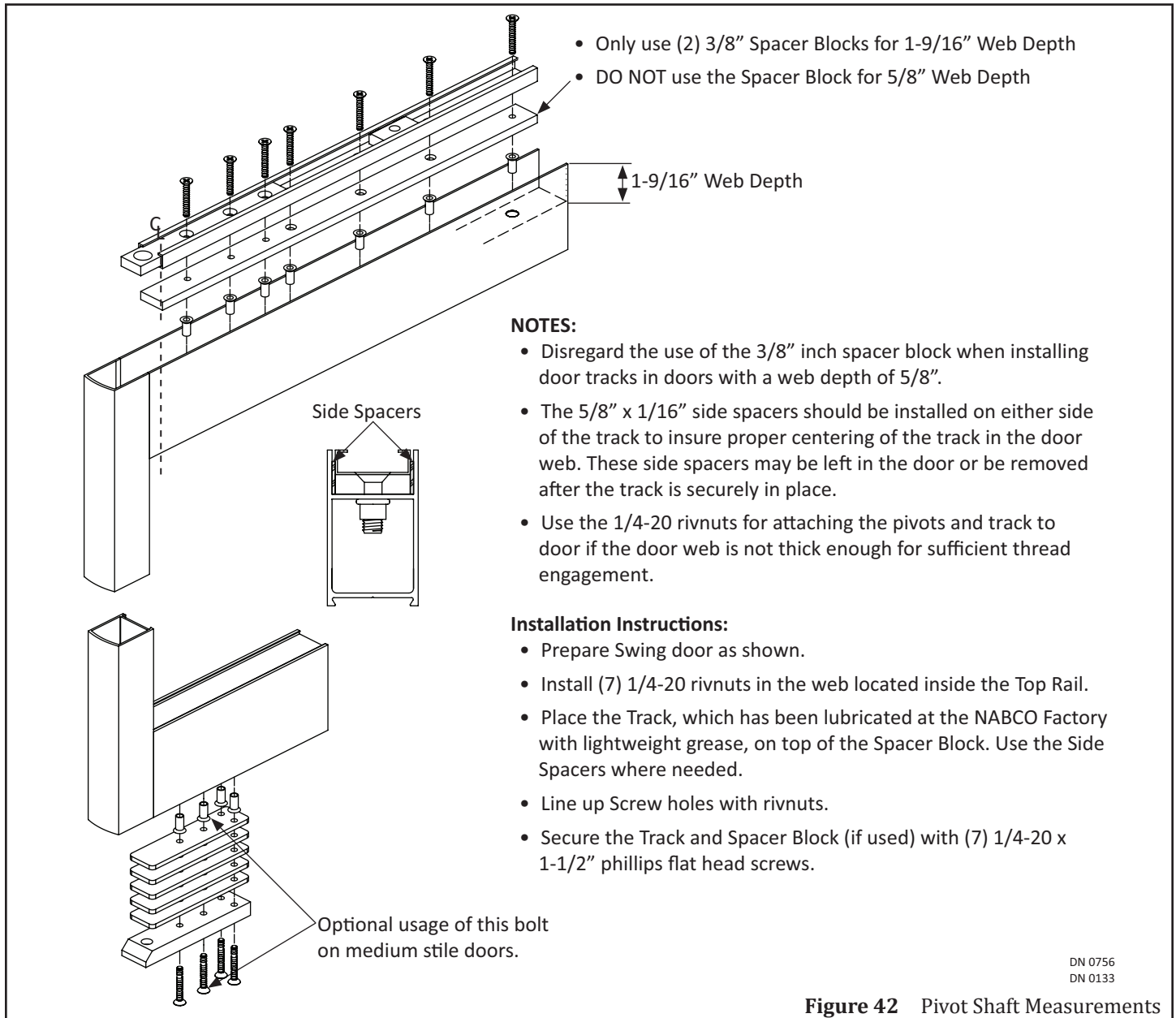


Figure 42 Pivot Shaft Measurements

**SECTION 11.1: Prep the Door Rail**

The inside wall of the Pivot Stile may butt up against the Door Rail (at the very top). If the Track needs to extend past the Door Rail, the inside wall will need to be milled out to match the width and depth of the Web. This may need to be done to the top Door Rail and/or the bottom Door Rail.

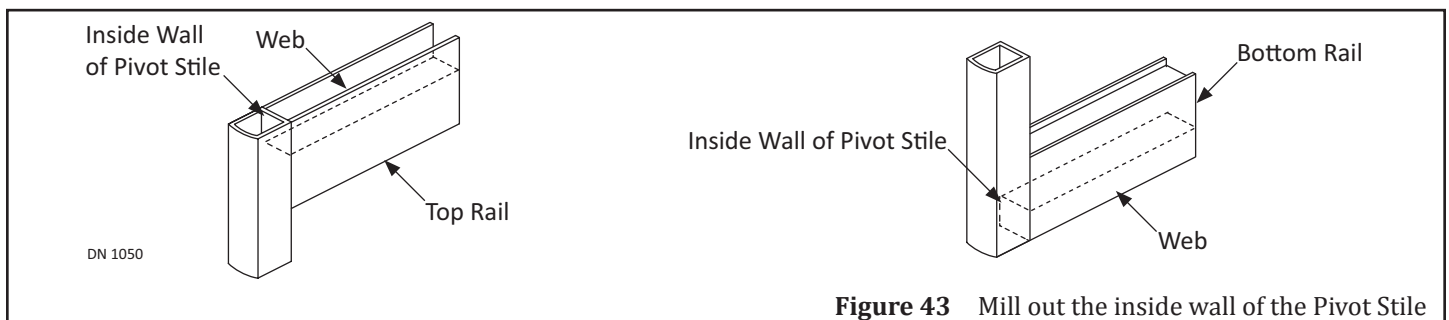
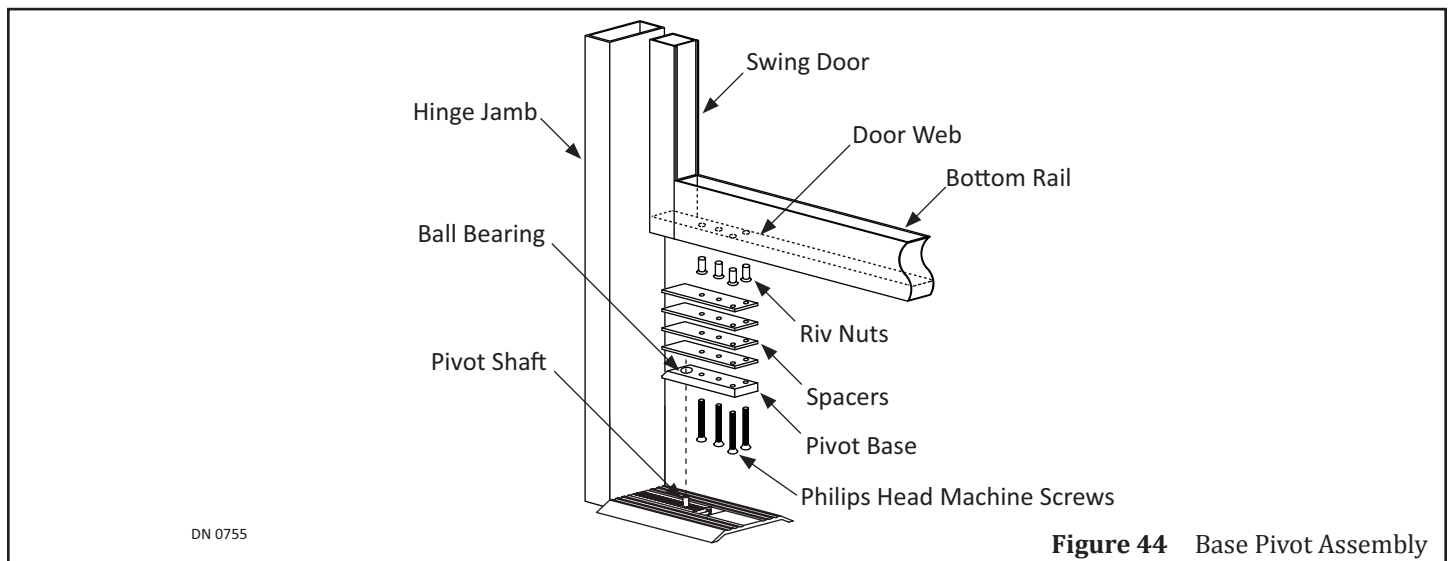


Figure 43 Mill out the inside wall of the Pivot Stile

## SECTION 11.2: Insert the Base Pivot into the Bottom Door Rail

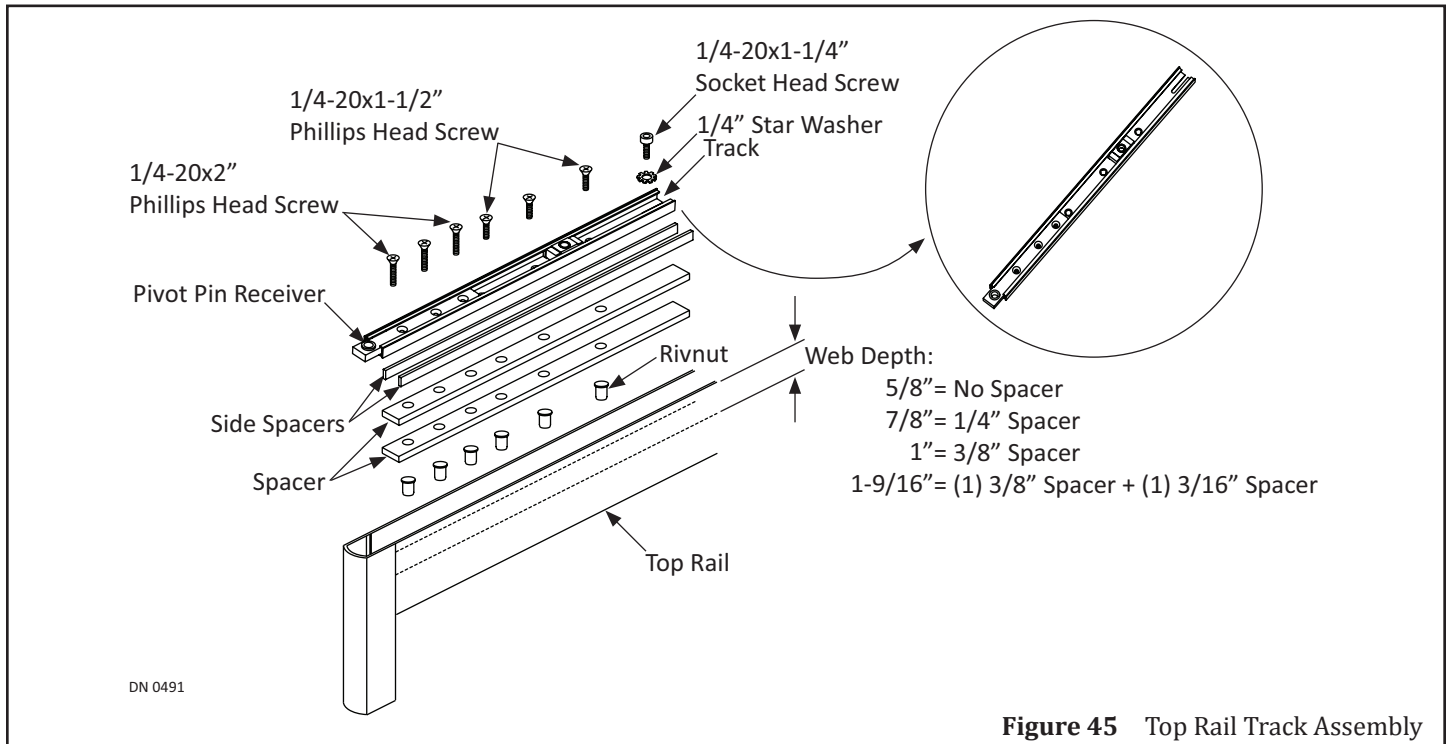
1. Lay the Swing door onto a flat surface that is sturdy enough to keep the door stable, and high enough to see while drilling.
2. Go to the Bottom Rail on the Pivot side of Swing Door. Measure to find the center inside the Web. Mark a horizontal line all the way across the full width of the Web face.
3. From the outer edge of the Pivot Stile measure: With the Finger Guard; 3-5/8 inches. Without the Finger Guard; 2-5/8 inches.
4. Mark a vertical line across the horizontal line onto the Web face. This is the center of the Bearing.
5. From the center of the Bearing mark, measure another 3-1/4 inches. Mark a vertical line across the horizontal line onto the Web face. This is the center of the second .322 diameter anchor hole.
6. Obtain (1) Spacer. Center the Spacer inside the Web. Align the second screw hole to the second anchor hole marked onto the Web face.
7. Use the Spacer as a template to mark the remaining (3) anchor holes. Ensure the Spacer is aligned and centered. Drill (4) .322 anchor holes.
8. Countersink the (4) anchor holes to .53 diameter x 82 degrees.
9. Insert (4) 1/4-20 tapped Rivnuts into the (4) .322 anchor holes.
10. Obtain the Base Pivot assembly. Place (1-4) Spacers on the bottom side of the Pivot Base.
  - a. The Gel filled Bearing is located on the top side of the Pivot Base.
11. Insert the Pivot Base assembly up into the Web. Add/subtract spacers until the Base Pivot is flush to the outside edge of the Door Rail. Secure the Pivot Base to the Web with (4) 1/4 - 20 x 2 inch Phillips Head Machine Screws.



## SECTION 11.3: Partially Install the Arm Track into the Top Door Rail

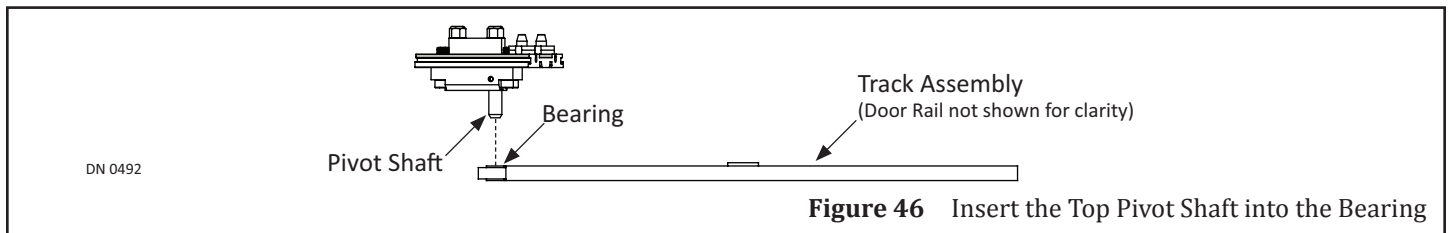
1. Lay the Swing door on a flat surface that is sturdy enough to keep the door stable, and high enough to see while drilling.
2. Go to the Top Rail on the Pivot side of Swing Door. Measure to find the center inside the Web. Mark a horizontal line all the way across the full width of the Web face.
3. From the outer edge of the Pivot Stile measure 23-13/16 inches. Mark a vertical line across the horizontal line onto the Web Face. This is the center of (1) .322 anchor hole.
4. Drill (1) .322 anchor hole.
5. Countersink the anchor hole to .53 diameter x 82 degrees. It is recommended to drill tap threads for anchors in a steel or aluminum structure.
6. Insert (1) 1/4-20 tapped Rivnut into the .322 anchor hole.
7. Obtain the Arm Track Assembly. Place (1) Spacer Block inside the Web according to the Web Depth:
  - ▶ 5/8 inch deep: No Spacer Block is required
  - ▶ 7/8 inch deep: Insert 1/4 inch Spacer Block
  - ▶ 1 inch deep: Insert 3/8 inch Spacer Block
  - ▶ 1-9/16 inch deep: Insert (2) 3/8 inch Spacer Blocks

8. Place (1) Track on top of the Spacer Block (or the Web if a Spacer Block is not used).
  - a. Ensure the Pivot Pin Receiver is on the Pivot Side of the Web.
9. Place (2) 5/8" x 1/16" Side Spacers on either side of the Track. Side Spacers are used to ensure proper centering of Track.



**Figure 45** Top Rail Track Assembly

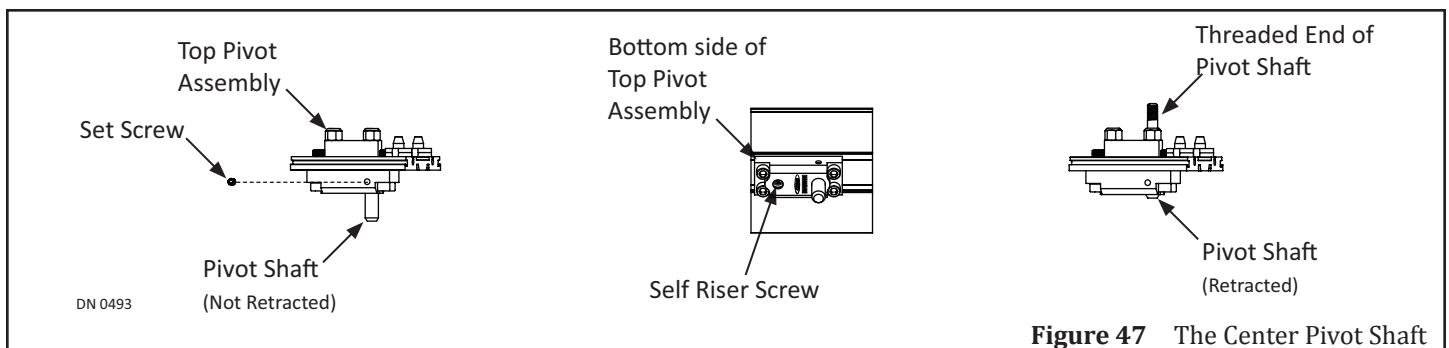
10. From the outer edge of the Pivot Stile measure: With the Finger Guard; 3-5/8 inches. Without the Finger Guard; 2-5/8 inches.
11. Slide the Track towards the Pivot Stile or away from the Pivot Stile until the Bearing is centered to that measurement.
12. Locate the Slot at the end of the Track. Locate the Pre-drilled screw hole.
13. Secure the Track to the Web with (1) 1/4 inch Star Washer and (1) 1/4-20x1-1/4 inch Socket Head screw. Tighten but do not overtighten. The Socket Head screw may need to be loosened one more time.



**Figure 46** Insert the Top Pivot Shaft into the Bearing

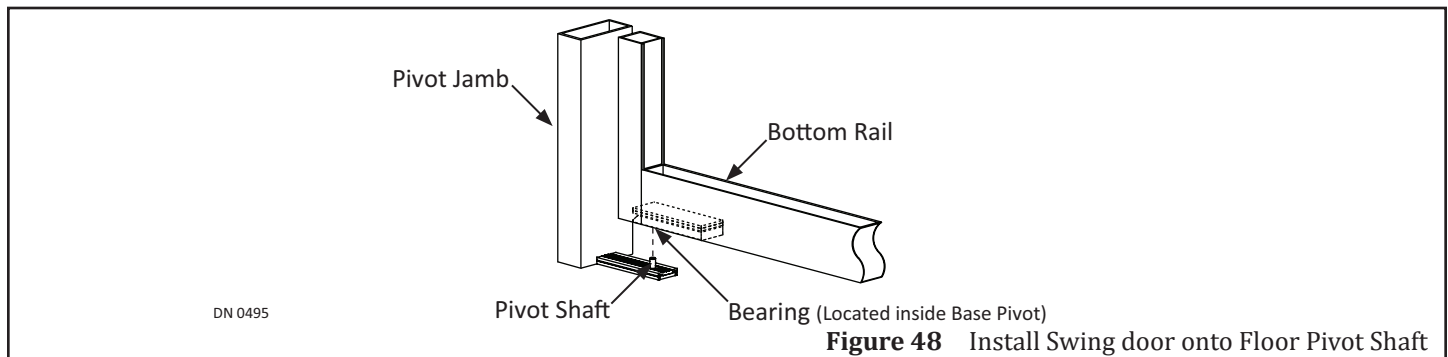
**SECTION 11.4: Temporarily Install the Swing Door**

1. Go to the Pivot side of Header to locate the Pivot Assembly. Loosen the Set Screw located directly above the Pivot Shaft.
2. Go to the Self Riser screw located underneath the Pivot Assembly counter-clockwise to retract the Pivot Shaft.



**Figure 47** The Center Pivot Shaft

3. Go to the Bottom Door Rail. Slide the Bearing onto the Pivot Shaft.



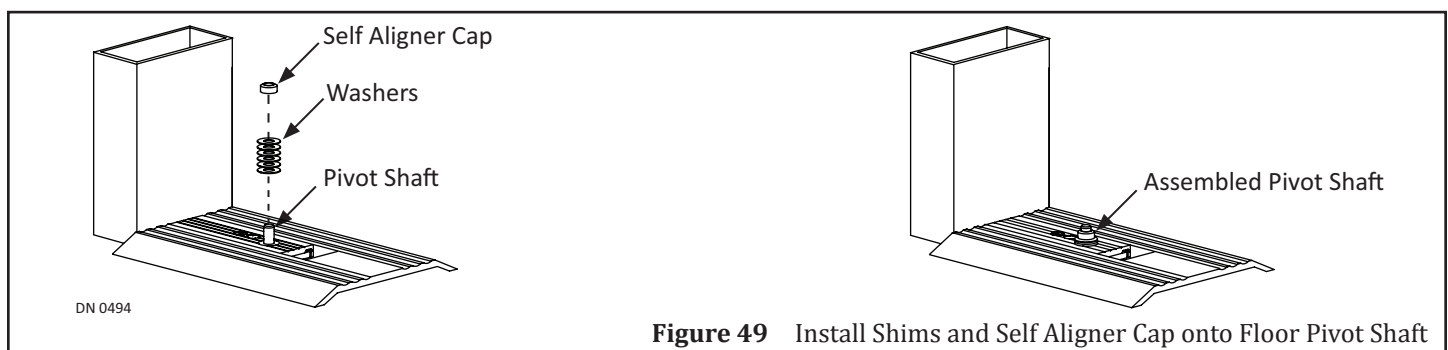
4. Go to the top Door Rail. Turn the Self Riser Screw clockwise to insert the Pivot Shaft into the Bearing.
5. With a flat head screwdriver, turn the Self Riser Screw clockwise until the Pivot Shaft is inserted all the way down into the Bearing.
6. Slide the Track Assembly back and forth until the Swing door is properly aligned.
  - a. It is recommended to use a Level.
7. Tighten the Set Screw, do not overtighten. The Set Screw may have to be loosened one more time.

## CHAPTER 12: ALIGN THE SWING DOOR

1. Fully open the Swing door.
2. Go to the Track Assembly located inside the Top Rail.
3. Loosen (1) 1/4-20x1-1/4 inch Socket Head Screw.
4. Slide the Track Assembly back and forth until the Swing door is properly aligned.
  - a. It is recommended to use a Level.
5. Tighten the Socket Head Screw but do not tighten all the way down.
  - a. The Socket Head Cap Screw may need to be loosened one more time.

## CHAPTER 13: ADJUST SWING DOOR HEIGHT

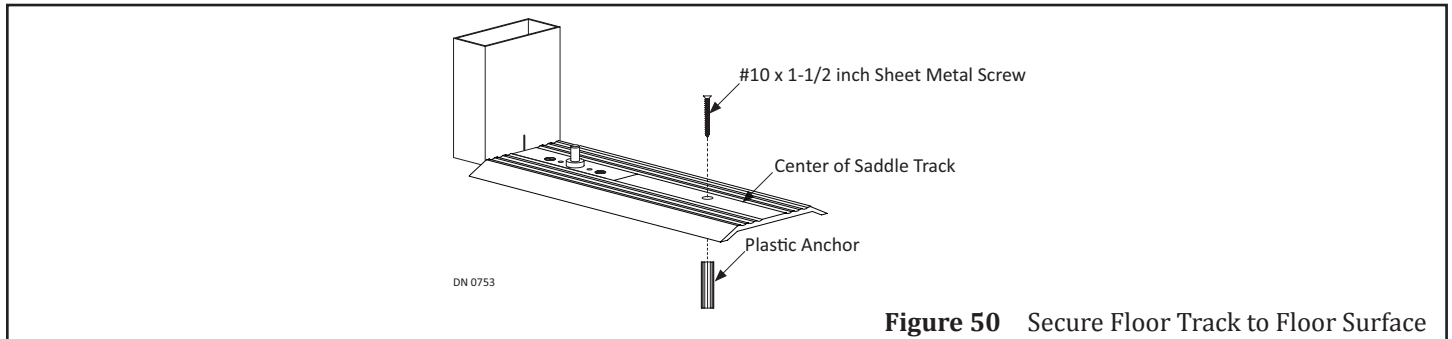
1. Measure for proper clearance:
  - ▶ Top of Swing door must be: 1/8 inch to 1/16 inch from Header.
  - ▶ Bottom of Swing door must be: 3/16 inch to 1/16 inch from Floor (or threshold if it is installed).
2. Remove the Swing door.
3. Slide (1-6) Spacer Shims onto the Pivot Shaft to adjust the Swing door for proper clearance.
4. Slide (1) Self Aligner Cap on top of the (1-6) Spacer Shims.
5. Reinstall the Swing door.
6. Check the alignment.





## CHAPTER 14: PERMANENTLY INSTALL THE SADDLE THRESHOLD

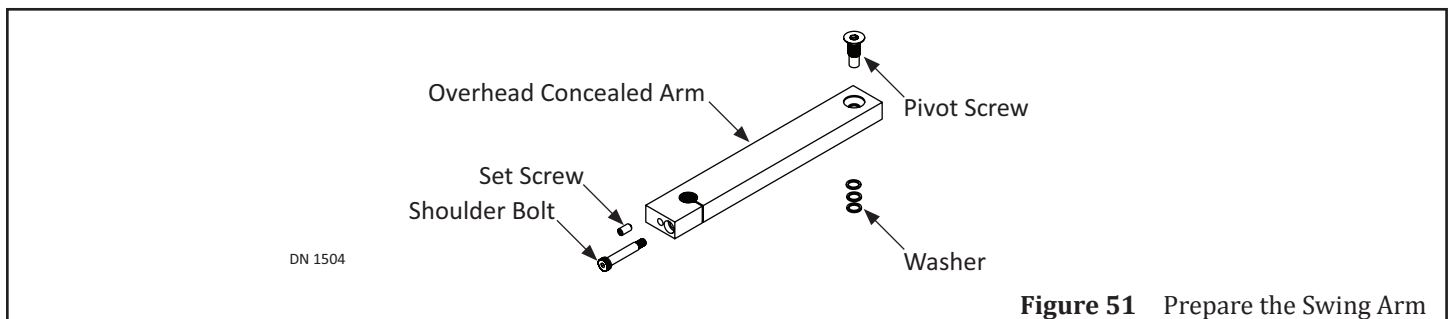
1. Secure the Saddle Threshold with fasteners not provided by NABCO.
  - a. Do not overtighten screws to prevent deforming the Saddle Threshold.



## CHAPTER 15: INSTALL THE SWING ARM

### SECTION 15.1: Prep the Swing Arm

1. Obtain the Swing Arm. With an 5/16 inch Allen Wrench, remove the Pivot Screw and (3) washers. Set aside.
2. Remove the Set Screw. Loosen the Shoulder Bolt with an 3/16 inch Allen Wrench. Set aside.



### SECTION 15.2: Set Pre-Load

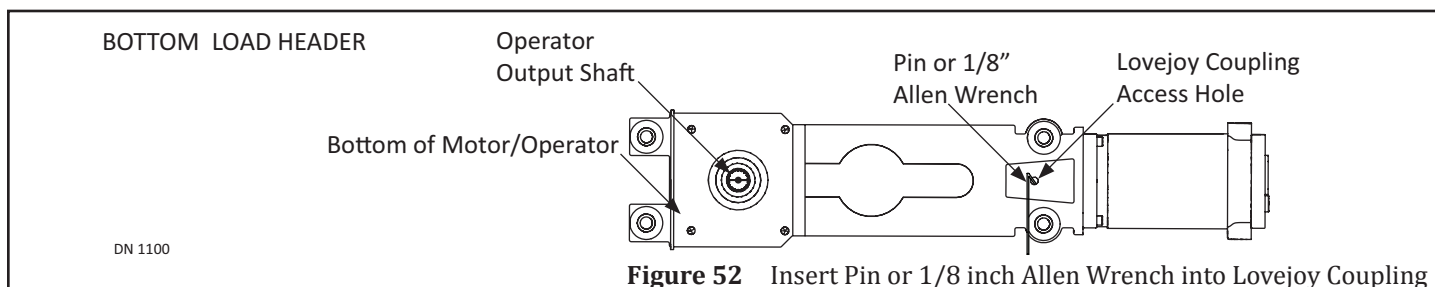
- CAUTION** Power must be turned OFF during the Swing Arm installation.
- DANGER** Ensure the Motor/Operator is plugged into the Controller.
- DANGER** Do not allow the Pin or 1/8 inch Allen Wrench to drop out of the Lovejoy Coupling Access hole at any time during installation. The Swing Arm will spring back to its original location and can result in personal injury or damage.

**Table 1** Pre-Load

Full Energy	Low Energy	Inswing Panic Breakout (Only)
18 degrees to 144 degrees	18 degrees or no greater than	144 degrees only (do not hit backstop)
Not to exceed 30 pounds of Pressure	Not to exceed 15 pounds of Pressure	Not to exceed 50 pounds of Pressure
18 degrees equals (1) Tooth on the Spline		

1. Obtain (1) Pin or 1/8 inch Allen Wrench.
2. Ensure the Spring on the Operator is in the Unwound (0 degree) position.
  - a. The Motor/Operator is shipped in the Unwound (0 degree) position.
3. Go underneath the Header. Locate the Operator Spindle.
4. Slide the Swing Arm onto the Spindle.

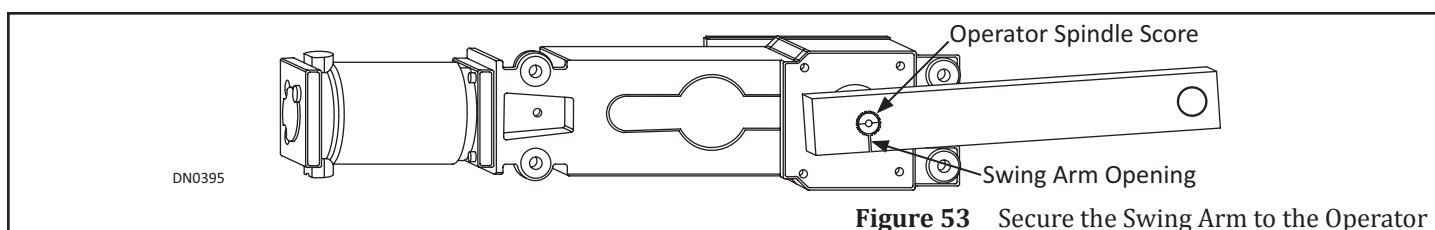
5. Wind the Operator by rotating the Swing Arm Clockwise for Left handing; Counterclockwise for Right Handing; according to the degrees listed within Table 1:
  - ▶ Full Energy: Spring on Operator must be wound up at least 18 degrees (1 Tooth on Spline).
  - ▶ Inswing Panic Breakout Only: Spring on Operator must be wound up approximately 144 degrees (8 Teeth on Spline).
    1. With a firm grip, rotate the Swing Arm approximately 72 degrees (4 Teeth on Spline).
    2. While holding the Swing Arm in that position, insert (1) Pin or 1/8 inch Allen Wrench into the Lovejoy Coupling Access Hole.
      - a. If necessary, ease the Swing Arm back until the Pin or 1/8 inch Allen Wrench engages the Lovejoy Coupling.
    3. Remove the Swing Arm from the Operator Spindle.
      - a. The Pin or 1/8 inch Allen Wrench will keep the Spring from unwinding.
    4. Go to the 0 degree position again, slide the Swing Arm back onto the Operator Spindle. With a firm grip, rotate the Swing Arm an additional 54 - 72 degrees. The Spring on the Operator should be wound approximately 126 - 144 degrees.
    5. Remove the Swing Arm.
  - ▶ Low Energy: Spring on Operator must be wound up approximately 18 degrees (1 Tooth on Spline)
    1. With a firm grip, rotate the Swing Arm approximately 18 degrees (1 Tooth on Spline).
    2. While holding the Swing Arm in that position, insert (1) Pin or 1/8 inch Allen Wrench into the Lovejoy Coupling Access Hole.
      - a. If necessary, ease the Swing Arm back until the Pin or 1/8 inch Allen Wrench engages the Lovejoy Coupling.



6. Remove the Swing Arm from the Operator Spindle.
7. Reinstall the Swing Arm assembly with the Door Fully Closed.
8. Carefully remove the Pin or 1/8 inch Allen Wrench from the Operator.

### SECTION 15.3: Secure the Swing Arm to the Operator

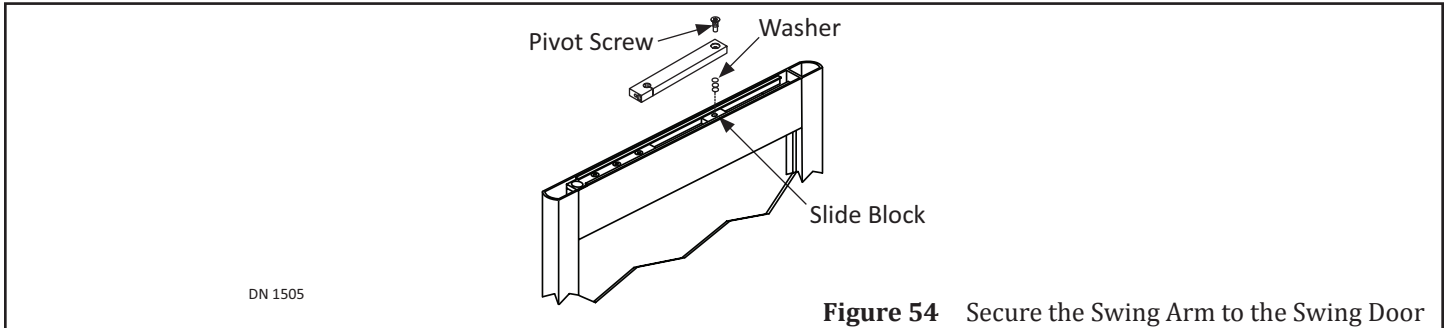
1. Fully close the Swing door. Go to the Output Spindle located at the bottom of the Operator.
  - a. A Score has been etched onto the bottom of Output Spindle.
2. Line up the Opening located on the bottom of the Swing Arm so it is perpendicular to the Spindle Score. Slide the Swing Arm onto the Spindle.
3. Tighten the Shoulder Bolt.
4. Reinsert Set Screw. Tighten.



### SECTION 15.4: Secure the Swing Arm to the Swing Door

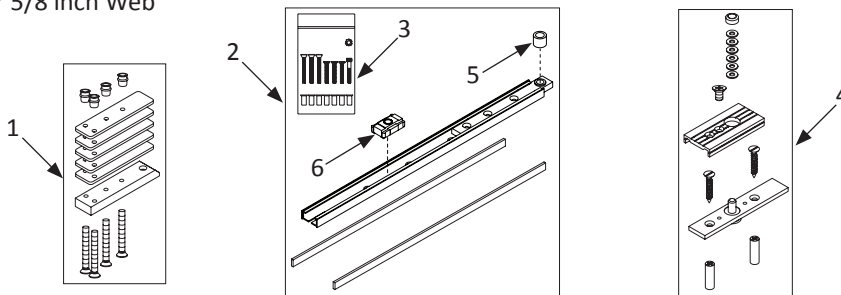
1. Open the Swing Door.
2. insert (1) Pin or 1/8 inch Allen Wrench into the Lovejoy Coupling Access Hole.
  - a. If necessary, ease the Swing Arm back until the Pin or 1/8 inch Allen Wrench engages the Lovejoy Coupling
3. Rotate the Swing Arm to align the Pivot Screw hole (located on free end of Swing Arm) to the Top Slide Block.

4. Check to see how many Washers will be necessary to install between the Swing Arm and the Swing door:
  - ▶ 3 for 3/16 inch Clearance Door
  - ▶ 2 for 1/8 inch Clearance Door
  - ▶ 1 for 1/16 inch Clearance Door
5. Secure the Swing Arm and Washers to the Slide Block with the Pivot Screw. Tighten.
6. Carefully remove the Pin or 1/8 inch Allen Wrench from the Operator.



### SERVICE PARTS: BAG P/N A-00565

OHC Track Assembly for 5/8 inch Web



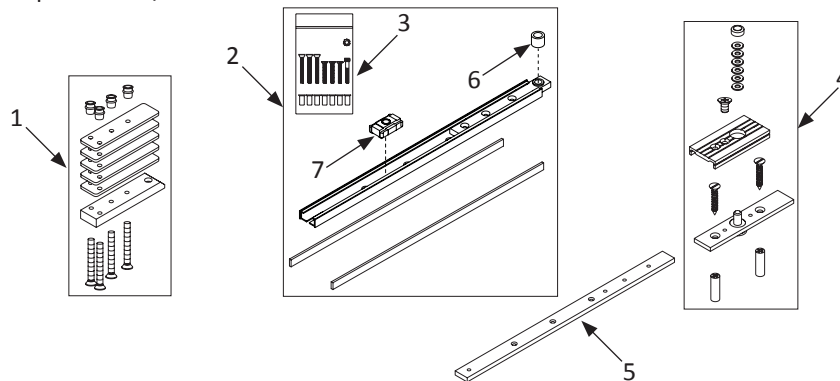
DN 1357

#### OHC Track for 5/8 inch Web: A-00565

Item	Part	QTY	Description	Used To
1	A-00500	1	BTTM PIVOT ASSY, DOOR PORTION, SWING DR	Open/Close the Swing Door
2	A-00459	1	PIVOT BLOCK,O.H.C.,TRACK W/STOP	Seat Swing Arm within the Top Web
3	A-00450	1	PARTS BAG,O.H.C. TRACK,SCREW	Secure Track Assembly inside the Top Web
4	A-00417	1	FLOOR PIVOT ASSY, PIN & COVER	Open/Close the Swing Door
5	V-00115	1	BEARING, 1/2 x 3/4 x 5/8" WIDE	Seat Pivot Pin
6	A-00456	1	SLIDE BLOCK,ASSY	Slide Swing Arm inside Track to Open/Close Door

### SERVICE PARTS: BAG P/N 21-3561

OHC Track Assembly with Spacer for 7/8 inch Web



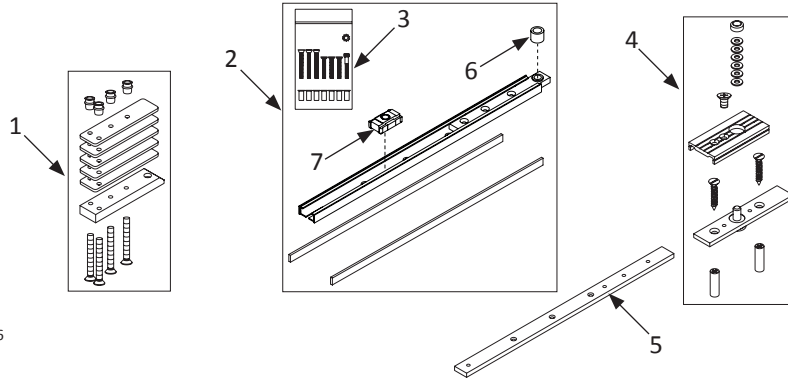
DN 1517

#### OHC Track for 7/8 inch Web: 21-3561

Item	Part	QTY	Description	Used To
1	A-00500	1	BTTM PIVOT ASSY, DOOR PORTION, SWING DR	Open/Close the Swing Door
2	A-00459	1	PIVOT BLOCK,O.H.C.,TRACK W/STOP	Seat Swing Arm within the Top Web
3	A-00450	1	PARTS BAG,O.H.C. TRACK,SCREW	Secure Track Assembly inside the Top Web
4	A-00417	1	FLOOR PIVOT ASSY, PIN & COVER	Open/Close the Swing Door
5	A-00948	1	SPACER BLOCK	Seat Pivot Pin
6	V-00115	1	BEARING, 1/2 x 3/4 x 5/8" WIDE	Slide Swing Arm inside Track to Open/Close Door
7	A-00456	1	SLIDE BLOCK,ASSY	Slide Swing Arm inside Track to Open/Close Door

**SERVICE PARTS: BAG P/N 21-0928**

OHC Track Assembly with Spacer for 1 inch Web



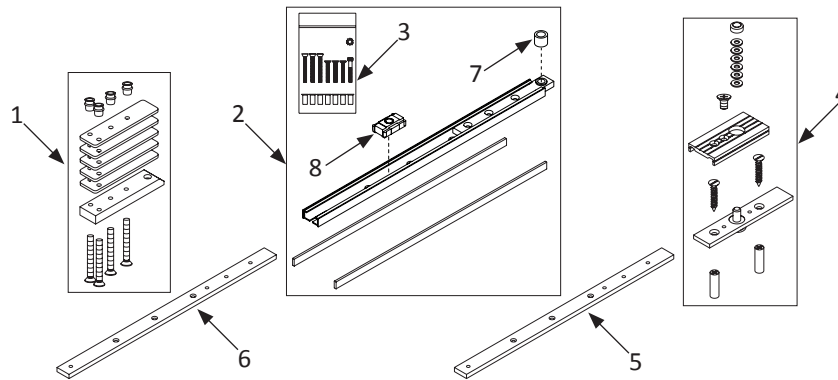
DN 1356

**OHC Track for 1 inch Web: 21-0928**

Item	Part	QTY	Description	Used To
1	A-00500	1	BTTM PIVOT ASSY, DOOR PORTION, SWING DR	Open/Close the Swing Door
2	A-00459	1	PIVOT BLOCK,O.H.C.,TRACK W/STOP	Seat Swing Arm within the Top Web
3	A-00450	1	PARTS BAG,O.H.C. TRACK,SCREW	Secure Track Assembly inside the Top Web
4	A-00417	1	FLOOR PIVOT ASSY, PIN & COVER	Open/Close the Swing Door
5	M-01342	1	BLOCK - SPACER 3/8	Adjust height of Track within Top Rail
6	V-00115	1	BEARING, 1/2 x 3/4 x 5/8" WIDE	Seat Pivot Pin
7	A-00456	1	SLIDE BLOCK,ASSY	Slide Swing Arm inside Track to Open/Close Door

**SERVICE PARTS: BAG P/N 21-5106**

OHC Track Assembly with Spacer for 1-9/16 inch Web

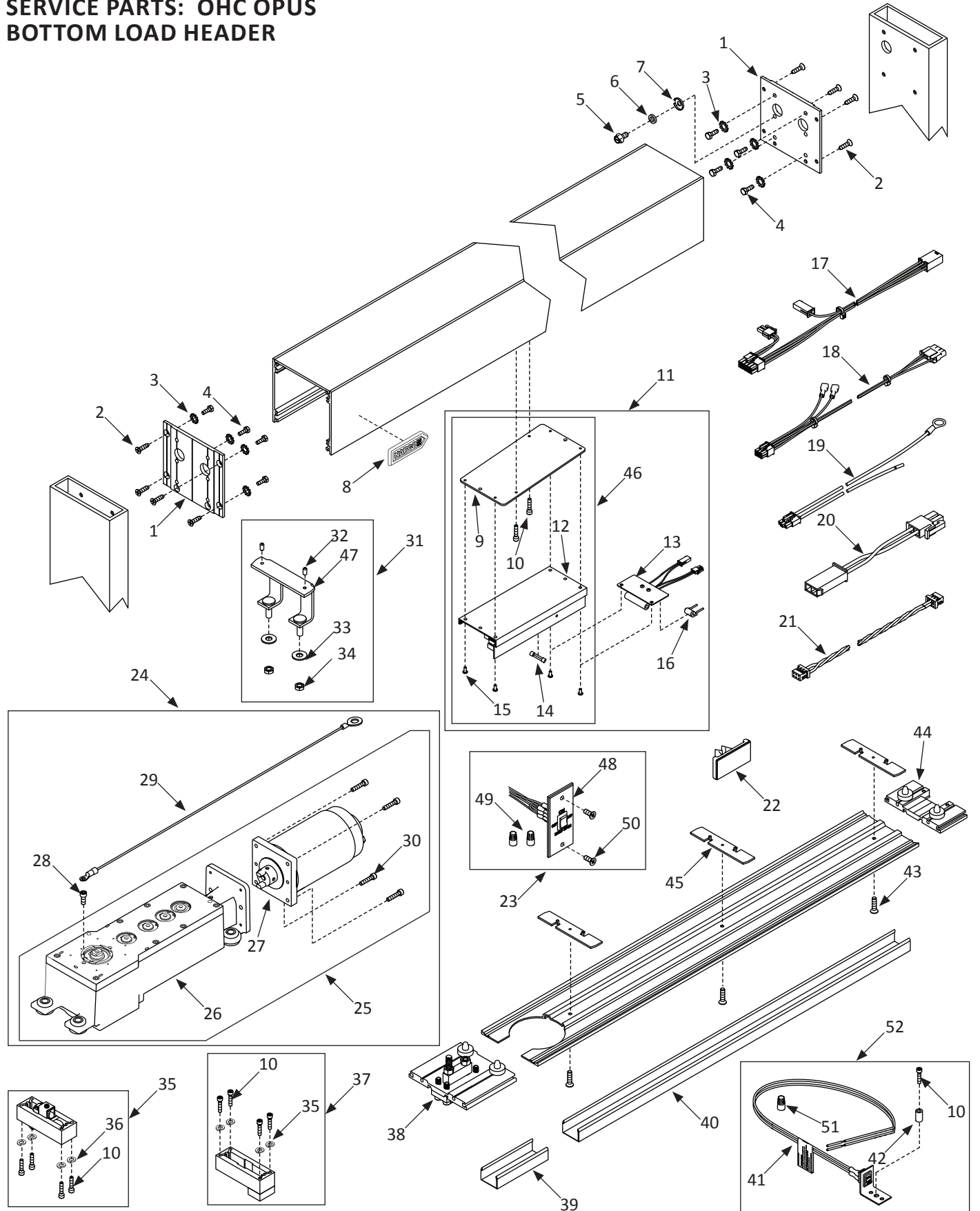


DN 1518

**OHC Track for 1-9/16 inch Web: 21-5106**

Item	Part	QTY	Description	Used To
1	A-00500	1	BTTM PIVOT ASSY, DOOR PORTION, SWING DR	Open/Close the Swing Door
2	A-00459	1	PIVOT BLOCK,O.H.C.,TRACK W/STOP	Seat Swing Arm within the Top Web
3	A-00450	1	PARTS BAG,O.H.C. TRACK,SCREW	Secure Track Assembly inside the Top Web
4	A-00417	1	FLOOR PIVOT ASSY, PIN & COVER	Open/Close the Swing Door
5	M-01337	1	BLOCK,SPACER,3/16"	Adjust height of Track within Top Rail
6	M-01342	1	BLOCK - SPACER 3/8	Adjust height of Track within Top Rail
7	V-00115	1	BEARING, 1/2 x 3/4 x 5/8" WIDE	Seat Pivot Pin
8	A-00456	1	SLIDE BLOCK,ASSY	Slide Swing Arm inside Track to Open/Close Door

### SERVICE PARTS: OHC OPUS BOTTOM LOAD HEADER



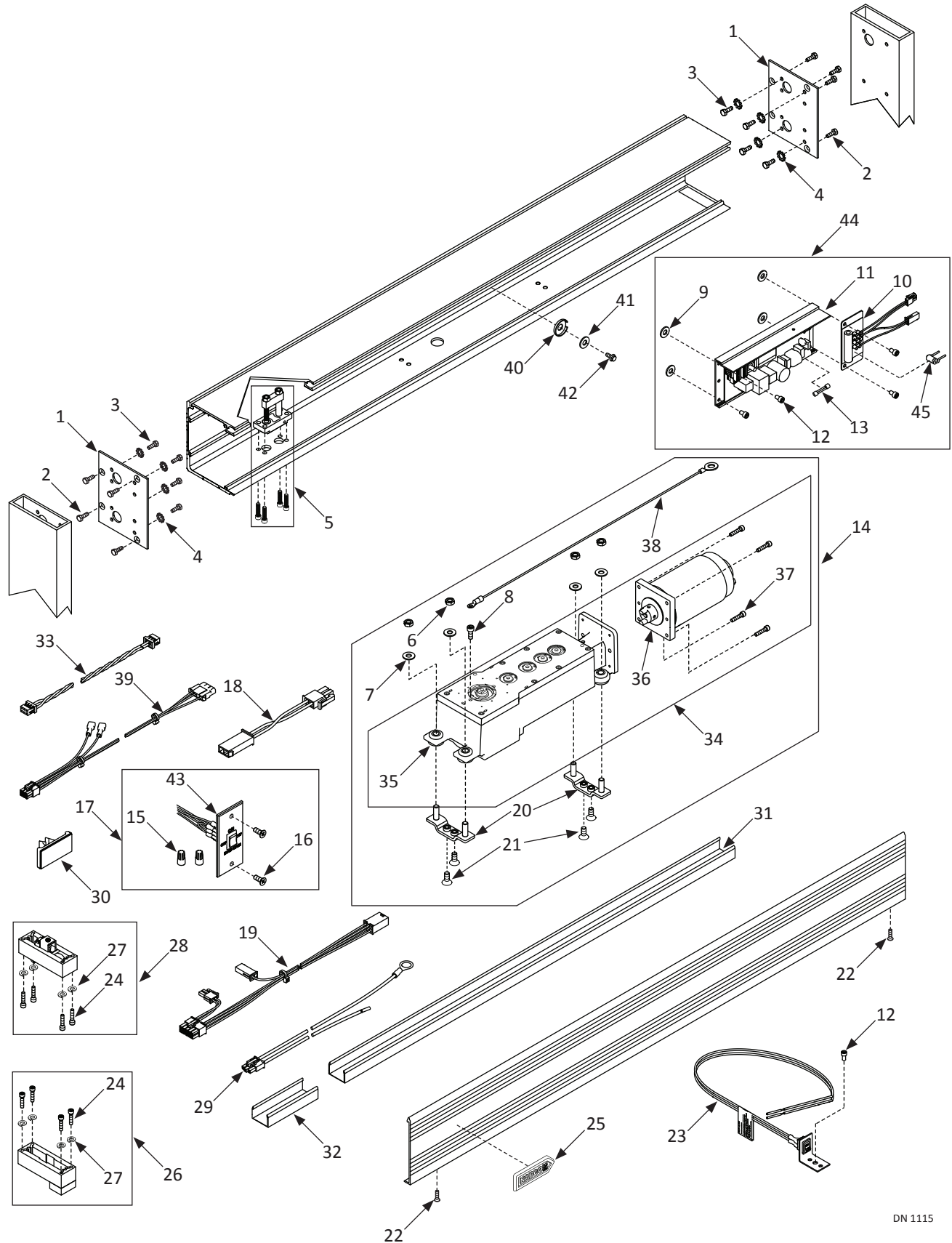
DN 1083

Opus Bottom Load Header			
Item	Part	Finish/Sizes/Notes	Description
1	A-01379	Clear	END CAP,SWING HEADER,BTM LOAD,O.H.C.,204
	A-71379	Dark Bronze	END CAP,SWING HEADER,BTM LOAD,O.H.C.,313
2	T-00061		FHMS,1/4-20x1.000L.,PHIL,TRI-LOBE,ZINC
3	T-00087		WASHER, LOCK, EXT, 1/4 ID, ZINC
4	T-00064		HHCS,1/4-20x0.750L.,ZINC
5	T-00346		HHCS:1/4-20x0.375L:GREEN:WASH HD:SLOT
6	M-00450		SPACER,MTG.END CAP
7	V-00104		WASHER, CUP.312 ID X .88 OD X .040 THICK
8	C-00067		NAMEPLATE,NABCO LOGO
9	M-01735		PLATE,BOTTOM LOAD,OPUS
10	T-00232		SHCS,10-24x0.875L.,ZINC
11	A-01098		CONTROLLER,W/ BRAKE,BOTTOM LOAD,OPUS
12	M-01546		CONTROLLER,OPUS
13	A-01003		MODULE,BRAKE,OPUS
14	V-00288	Used on Brake Module	FUSE,3 AMP,250V,FAST,2AG,AXIAL LEAD
	V-00552	Used on Opus Control	FUSE;5A;GMA;5X20mm
15	T-00420		PHMS,8-32x0.375L,PHIL,SWAGEFORM,ZINC
16	A-00453		FUSE,3AMP,W/HEAT SHRINK
17	A-01000	Not used on GT710/8710	HARNESS,MOTOR,OPUS
18	A-01002	Retrofit Kit only	HARNESS,ADAPTER,NON-ENCODER,OPUS
19	M-01072		HARNESS,POWER,MAGNUM/OPUS
20	A-01001	Not used on GT710/8710	HARNESS,HANDING,OPUS
21	M-01680	Simultaneous Pair	HARNESS,SIM PAIR,OPUS
22	V-00098		SADDLE, WIRE
23	A-00805		SWITCH,ROCKER,SWINGER,ON/OFF/HOLD OPEN
24	A-01091	RH	"OPER.SWGR,W/ENCOD,ROF;RH;NO CLUTCH;S-LO
	A-01090	LH	"OPER.SWGR,W/ENCOD.ROF;LH;NO CLUTCH;S-LO
25	A-00824	RH	"OPERATOR,SWGR,W/ENCODER, RH CLUTCHLESS"
	A-00823	LH	"OPERATOR,SWGR,W/ENCODER, LH CLUTCHLESS"
26	A-01053	RH	"OPER. SWINGER,W/O MTR.,NO CLUTCH,RH;ROF
	A-01052	LH	"OPER. SWINGER,W/O MTR.,NO CLUTCH,LH;ROF
27	V-00090		MOTOR,SHORT FRAME,ENCODER,DUOWEI
28	T-00185		SHCS,10-24x0.500L.,BK.OX.
29	A-00620		GROUND WIRE:SWING OPERATOR:MAGNUM
30	T-00103		SHCS,10-24x0.875L.,W-LOCK PATCH
31	A-00501		BRKT.;MOTOR;REAR;BTM.LOAD
32	T-00073		SHSS,1/4-20x0.500L.,KNURL PT.
33	T-00092		WASHER,.438 ID,1.00 OD,.083 THK,ZINC
34	T-00067		NUT,HEX,JAM,3/8-16,ZINC
35	A-00430	Clear	KIT,PANIC LATCH,O.H.C.204
	A-70430	Dark Bronze	KIT,PANIC LATCH,O.H.C.,313
36	T-00231		WASHER, LOCK, SPLIT, #10 ID, ZINC

Opus Bottom Load Header			
Item	Part	Finish/Sizes/Notes	Description
37	A-00643		DOOR STOP:NON PANIC
38	A-61362	Clear/No Finger Guard	"TOP,PIVOT/BASE,OHC,W/O FINGERGUARD,204"
	A-71362	Dark Bronze/No Finger Guard	"TOP,PIVOT/BASE,OHC,W/O FINGERGUARD,313"
	A-00560	Clear/Finger Guard	TOP PIVOT/BASE:OHC:204
	A-70560	Dark Bronze/Finger Guard	TOP PIVOT/BASE:OHC:313
39	A-61176	Clear	"FILLER CHANNEL;HINGE STILE;5-15/32,204"
	A-71176	Dark Bronze	"FILLER CHANNEL;HINGE STILE;5-15/32,313"
40	M-60897	Clear	CHANNEL,SNAP IN,204,,EXTRU
	M-70897	Dark Bronze	CHANNEL,SNAP IN,313,EXTRU
41	M-01085		HARNESS, POWER SWITCH - SWINGERS/710
42	V-00283		SPACER,CIRCUIT BOARD,STANDOFF
43	T-00391		"FHMS,10-24x0.750L.,PHIL,ZINC"
44	M-01374	Clear	OHC,SINGLE STRIKE BASE,3-1/4"
	M-71374	Dark Bronze	OHC,SINGLE STRIKE BASE,3-1/4"
45	M-01177		LOCK COVER PLATE - BOTTOM
46	A-01143		CONTROLLER,W/O BRAKE,BOTTOM LOAD,OPUS
47	M-01181		TOP FRAME MOUNT, SUB - ASSY - SWINGER
48	M-01576		SWITCHPLATE,ON/OFF/HOLD OPEN
49	T-00197		NUT,WIRE,RANGE 22-14AWG,GREY
50	T-00031		FHMS,10-32x0.500L.,PHIL,UCUT,T-LOBE,BKZN
51	T-00047		NUT,WIRE,72B,2-18AWG-3-16AWG
52	A-00409		PARTS BAG,ON/OFF,SWINGER,SWITCH



# SERVICE PARTS: OHC OPUS SIDE LOAD HEADER



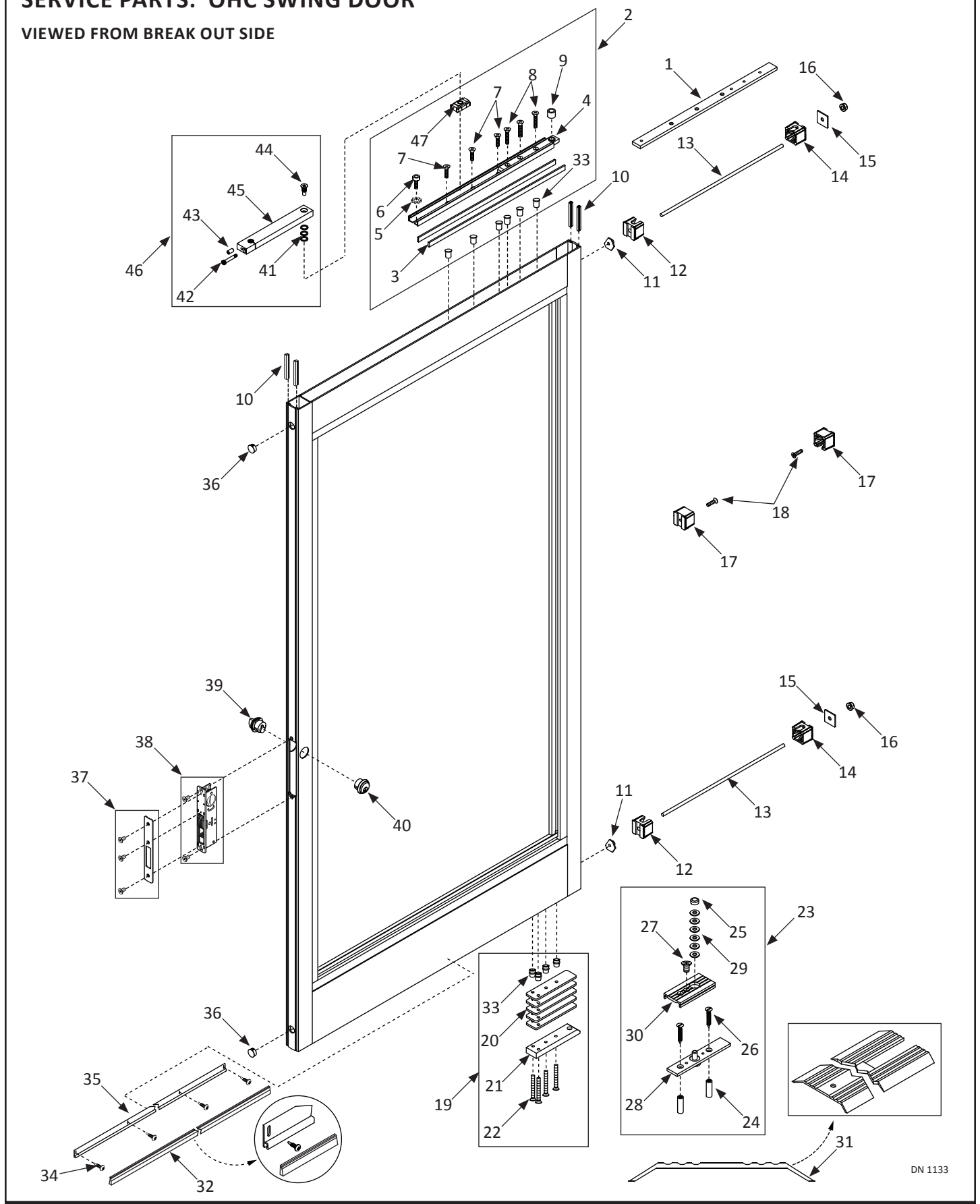
DN 1115

Opus Side Load Header			
Item	Part	Finish/Sizes/Notes	Description
1	M-61172		END CAP,SIDELOAD,OHC,2 ACCESS HOLES,204
	M-71172		END CAP,SIDELOAD,OHC,2 ACCESS HOLES,313
2	T-00016		FHMS,1/4-20x0.438L.,PHIL,UNDERCUT,ZINC
	T-00108		FHMS,1/4-20x0.438L.,PHIL,UNDERCUT,BLK ZN
3	T-00064		HHCS,1/4-20x0.750L.,ZINC
4	T-00087		WASHER, LOCK, EXT, 1/4 ID, ZINC
5	A-00490		PIVOT,TOP,SWINGER
6	T-00067		NUT,HEX,JAM,3/8-16,ZINC
7	T-00092		WASHER,.438 ID,1.00 OD,.083 THK,ZINC
8	T-00185		SHCS,10-24x0.500L.,BK.OX.
9	T-00365		WASHER,.170 ID,.625 OD,.032 THK,NYLON
10	M-01175		HARNESS,MOTOR,BRAKE MODULE,SWINGER
11	M-01546		CONTROLLER,OPUS
12	T-00335		SHCS,10-24x0.313L.,ZINC
13	V-00288		FUSE,3 AMP,250V,FAST,2AG,AXIAL LEAD
	V-00552		FUSE;5A;GMA;5X20mm
14	A-01091		"OPER.SWGR,W/ENCOD,ROF;RH;NO CLUTCH;S-LO
	A-01090		"OPER.SWGR,W/ENCOD.ROF;LH;NO CLUTCH;S-LO
15	T-00197		NUT,WIRE,RANGE 22-14AWG,GREY
16	T-00031		FHMS,10-32x0.500L.,PHIL,UCUT,T-LOBE,BKZN
17	A-00805		SWITCH,ROCKER,SWINGER,ON/OFF/HOLD OPEN
18	A-01001		HARNESS,HANDING,OPUS
19	A-01000		HARNESS,MOTOR,OPUS
20	M-01043		BRACKET, OPERATOR, SIDELOAD HEADER
21	T-00334		FHMS:5/16-18x0.750L.:SOKT:ZN
	T-00370		FHMS:5/16-18x0.750L.:SOKT:BK.ZN
22	T-00337		PHSMS:#8x0.625L.:PHIL
23	M-01085		HARNESS, POWER SWITCH - SWINGERS/710
24	T-00232		SHCS,10-24x0.875L.,ZINC
25	C-00067		NAMEPLATE,NABCO LOGO
26	A-60643	Clear	"DOOR STOP,NON PANIC,204"
	A-70643	Dark Bronze	"DOOR STOP,NON PANIC,313"
27	T-00231		WASHER, LOCK, SPLIT, #10 ID, ZINC
28	A-00430	Clear	KIT,PANIC LATCH,O.H.C.204
	A-70430	Dark Bronze	KIT,PANIC LATCH,O.H.C.,313
29	M-01072		HARNESS,POWER,MAGNUM/OPUS
30	V-00098		SADDLE, WIRE
31	M-60889		SNAP CHANNEL, GT8000,204,,EXTRU
	M-70889		SNAP CHANNEL, GT8000,313,EXTRU

Opus Side Load Header			
Item	Part	Finish/Sizes/Notes	Description
32	M-01303		SNAP IN,CHANNEL,204,W-FG
	M-71303		SNAP IN,CHANNEL,313,W-FG
	M-01302		SNAP IN,CHANNEL,204,NO-FG
	M-71302		SNAP IN,CHANNEL,313,NO-FG
33	M-01680		HARNESS,SIM PAIR,OPUS
34	A-00824	RH	"OPERATOR,SWGR,W/ENCODER, RH CLUTCHLESS"
	A-00823	LH	"OPERATOR,SWGR,W/ENCODER, LH CLUTCHLESS"
35	A-01053	RH	"OPER. SWINGER,W/O MTR.,NO CLUTCH,RH;ROF
	A-01052	LH	"OPER. SWINGER,W/O MTR.,NO CLUTCH,LH;ROF
36	V-00090		MOTOR,SHORT FRAME,ENCODER,DUOWEI
37	T-00103		SHCS,10-24x0.875L.,W-LOCK PATCH
38	A-00620		GROUND WIRE:SWING OPERATOR:MAGNUM
39	A-01002	Not used on GT710/8710	HARNESS,ADAPTER,NON-ENCODER,OPUS
40	V-00104		WASHER, CUP.312 ID X .88 OD X .040 THICK
41	T-00029		WASHER,.250 ID,.563 OD,.049 THK,ZINC
42	T-00347		HHCS:10-32x0.375L:GREEN:WASH HD:SLOT
43	M-01576		SWITCHPLATE,ON/OFF/HOLD OPEN
44	A-00888		CONTROLLER,W/ BRAKE,SIDELOAD,OPUS
45	A-00453		FUSE,3AMP,W/HEAT SHRINK

# SERVICE PARTS: OHC SWING DOOR

VIEWED FROM BREAK OUT SIDE



DN 1133

OHC Swing Door			
Item	Part	Finish/Sizes/Notes	Description
1	A-00948	1/4" Spacer	SPACER BLOCK
	M-01342	3/8" Spacer	BLOCK - SPACER 3/8
	M-01337	3/16" Spacer	BLOCK,SPACER,3/16"
2	A-00459		PIVOT BLOCK,O.H.C.,TRACK W/STOP
3	M-01327	5/8" Web	SPACER,SIDE
4	A-00455		PIVOT BLOCK,O.H.C.,TRACK W/STOP
5	T-00087		WASHER, LOCK, EXT, 1/4 ID, ZINC
6	T-00101		SHCS,1/4-20x1.500L.,BK.OX.
7	T-00089		FHMS,1/4-20x1.500L.,PHIL,UNDERCUT,ZINC
8	T-00172		FHMS,1/4-20x2.000L.,PHIL,ZINC
9	V-00115		BEARING, 1/2 x 3/4 x 5/8" WIDE
10	M-00499		WEATHERING:PILE:.27W X .25H:W/ ADH & FIN
11	M-00416		T-NUT, 3/8"-16, TIE ROD
12	M-00460		CLIP,MUNTIN,.500 HOLE
13	M-00272		3/8-16 THREADED ROD
14	M-00461		CLIP,MUNTIN,.386 HOLE
15	M-00422		PLATE,TIE ROD
16	T-00025		NUT,WHIZLOCK,3/8-16,ZINC
17	M-00462		CLIP,MUNTIN,.261 HOLE
18	T-00061		FHMS,1/4-20x1.000L.,PHIL,TRI-LOBE,ZINC
19	A-00500		BTTM PIVOT ASSY, DOOR PORTION, SWING DR
20	M-01053		SPACER,BASE PIVOT,OHC
21	A-01146		BASE PIVOT,O.H.C.SUB ASM.
22	T-00172		FHMS,1/4-20x2.000L.,PHIL,ZINC
23	A-00417		FLOOR PIVOT ASSY, PIN & COVER
24	T-00314		SCREW ANCHOR, #16 X 1" LG
25	M-01166		SELF ALIGNED,PIVOT BASE,UL PART
26	T-00313		FHSMS - SLOTTED, #14 X 1 1/12" LG
27	T-00016		FHMS,1/4-20x0.438L.,PHIL,UNDERCUT,ZINC
28	M-01183		SHAFT,BASE PIVOT,OHL-UL PART
29	T-00312		SHIM WSHR, .437 ID X .969 OD X .032 THK
30	M-01231		PREVENTER BLOCK, DUST AND RODENT
31	M-00297		THRESHOLD,5.00 X 1/2 IN. SADDLE,EXTRU
32	M-00699		BRUSH,NYLON, .56
	M-00700		BRUSH, NYLON, .44"
33	T-00048		RIVNUT,1/4-20, .027-.165 GRIP RANGE
34	T-00222	Zinc	PHSMS,6x0.500L.,PHIL,TEKS,ZINC
	T-00260	Black Zinc	PHSMS,6x0.500L. PHIL,TEKS BLK ZN
35	M-60278	Clear	HOLDER,WEATHERING BRUSH,204,EXTRU
	M-70278	Dark Bronze	HOLDER,WEATHERING BRUSH,313,EXTRU
36	V-00720		PLUG,HOLE,13/16 DOME

OHC Swing Door			
Item	Part	Finish/Sizes/Notes	Description
37	V-00014	Clear	COVER,MS LOCK,W/ CUTOUT,204
	V-70014	Dark Bronze	COVER,MS LOCK,W/ CUTOUT,313
38	V-00005		LOCK, ADAMS-RITE #MS1853
39	V-00116	Clear	CYLINDER,LOCK,THUMBTURN,204
	V-70116	Dark Bronze	CYLINDER,LOCK,THUMBTURN,313
40	V-00123	Clear	CYLINDER,LOCK,KEYED,204
	V-70123	Dark Bronze	CYLINDER,LOCK,KEYED,313
41	T-00319		WASHER15/32 IDx5/8 ODx1-1/16THK
42	T-00318		BOLT,SHLDR.3/8 DIAx1.750L.
43	T-00322		SHSS,5/16-24x0.625L.,CUP PT.
44	M-01331		PIVOT SCREW,FHSMS
45	A-60788	Clear	ARM,SPLINED,O.H.C,204
	A-70788	Dark Bronze	ARM,SPLINED,O.H.C,313
46	A-60458	Clear	ARM,O.H.C.,N.H.,204
	A-70458	Dark Bronze	ARM,O.H.C.,N.H.,PANIC AND NO PANIC,313
47	A-00456		SLIDE BLOCK,ASSY