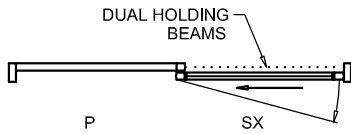
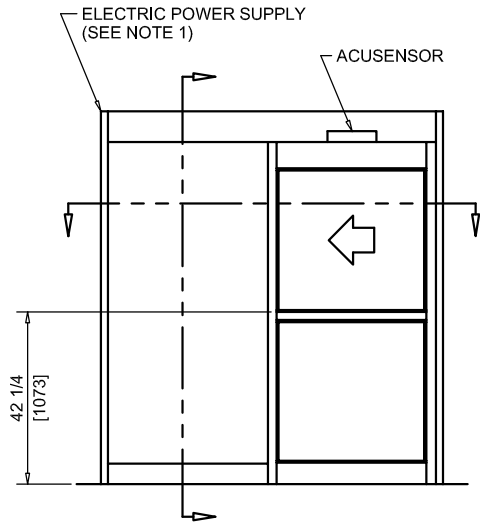




NABCO Entrances Inc.  
 S82 W18717 Gemini Drive Muskego, WI 53150  
 www.nabcoentrances.com 1-877-622-2694

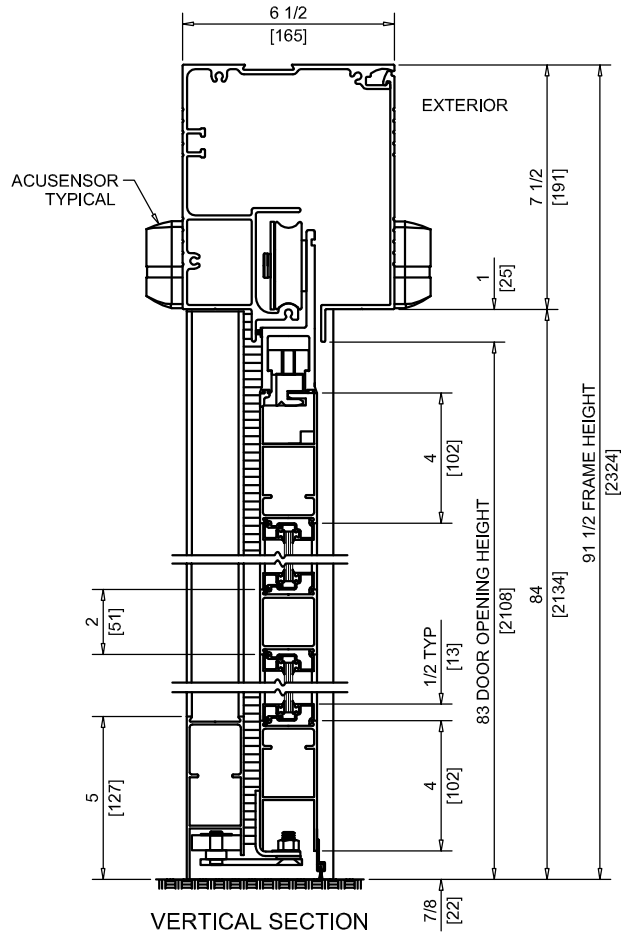
JOB NAME: \_\_\_\_\_  
 LOCATION: \_\_\_\_\_  
 DISTRIBUTOR: \_\_\_\_\_  
 DOOR #: \_\_\_\_\_ DATE: \_\_\_\_\_  
 SHEET \_\_\_\_\_ OF \_\_\_\_\_

**WHISPER SLIDE  
 GT1175-07L**  
 SINGLE SLIDE  
 LEFT HAND  
 SURFACE MOUNTED

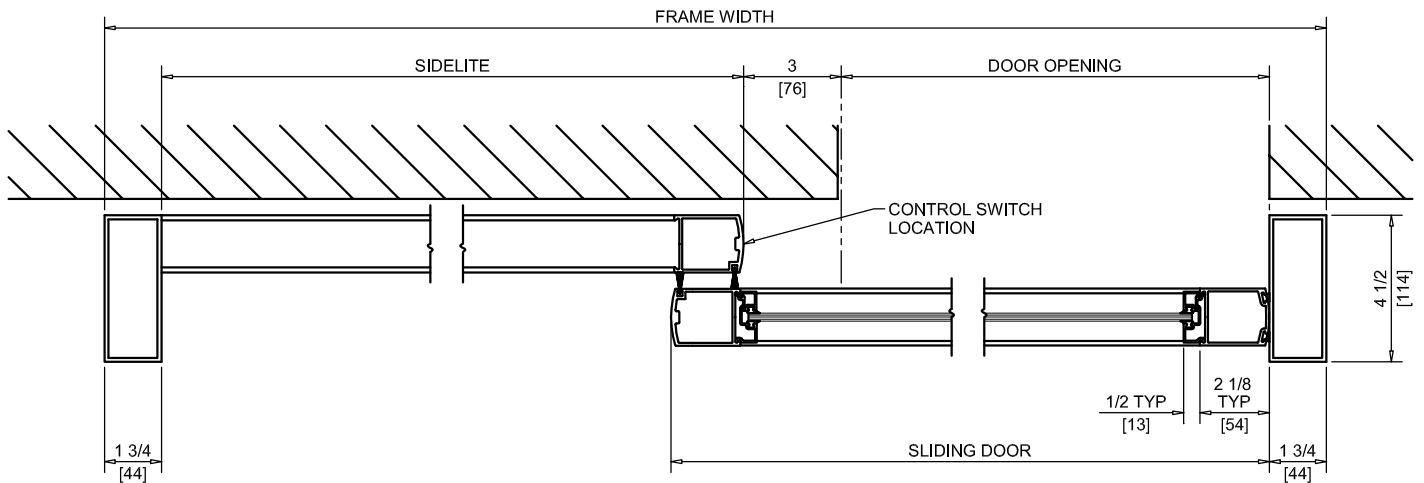


ACCESS COVER (EXTERIOR) SIDE

EXTERIOR ELEVATION/PLAN



VERTICAL SECTION  
 (WITH DOOR OPEN)



HORIZONTAL SECTION

DOOR OPENING	FULL BREAKOUT OPENING	FRAME WIDTH	SLIDING DOOR	SIDELITE
36" [914]	39" [990]	7'-0" [2133]	41 1/4" [1047]	41 1/2" [1054]
42" [1066]	45" [1143]	8'-0" [2438]	47 1/4" [1200]	47 1/2" [1206]
44" [1117]	47" [1193]	8'-6" [2590]	49 1/4" [1250]	51 1/2" [1308]
48" [1219]	51" [1295]	9'-0" [2743]	53 1/4" [1352]	53 1/2" [1358]

NOTES:

- POWER TO HEADER WILL BE 115VAC, 5 AMP PER OPERATOR PROVIDED BY ELECTRICAL CONTRACTOR.
- ROCKER SWITCHES WILL BE MOUNTED ON NOSE OF FILLER TUBE UNLESS NOTED OTHERWISE.
- STANDARD LOCATION OF LOCK IS 35" FROM FINISH FLOOR TO CENTERLINE OF KEY CYLINDER.
- TWO SETS OF HOLDING BEAMS STANDARD. ONE SET AT 21" AFF AND ONE SET AT 51" AFF.