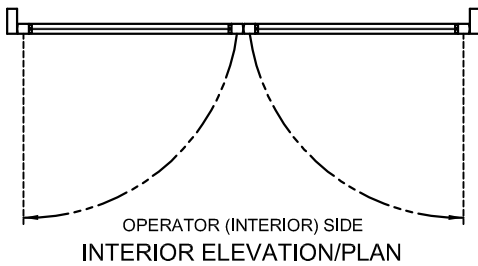
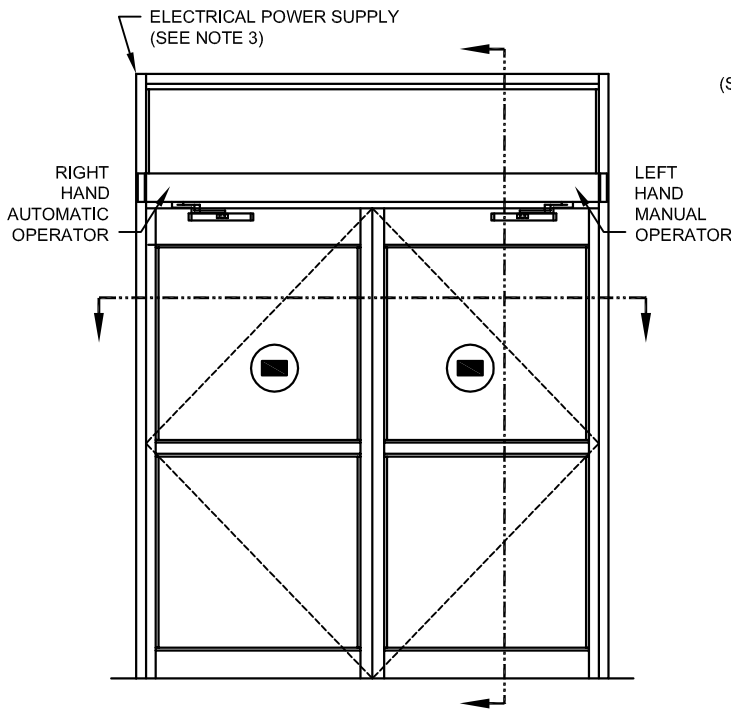




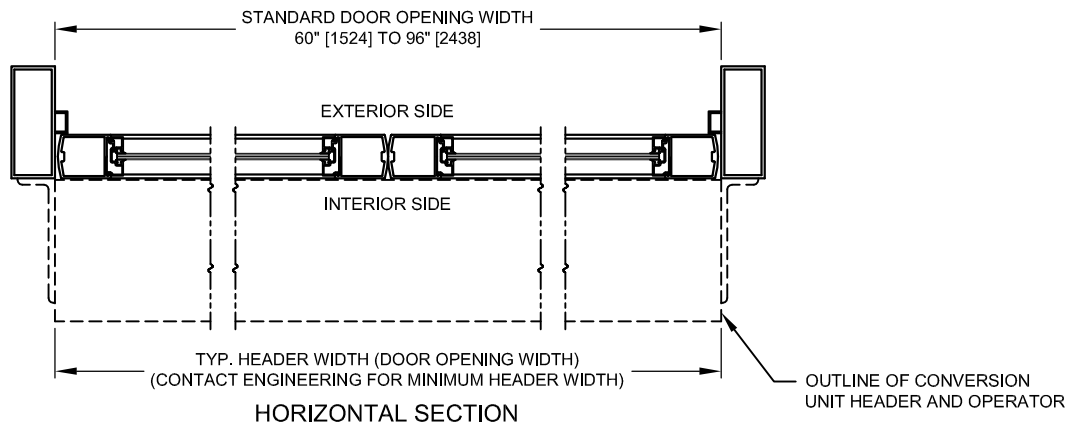
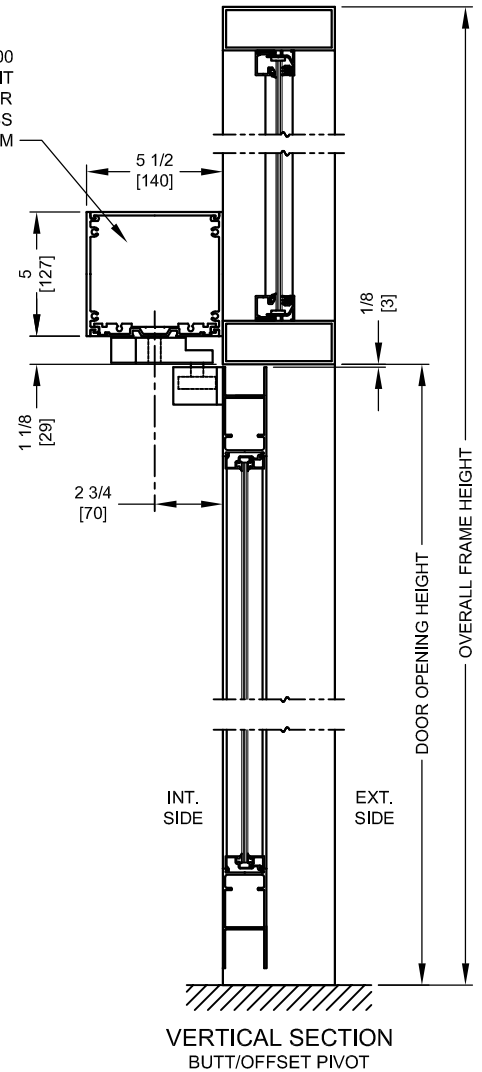
NABCO Entrances Inc.
 S82 W18717 Gemini Drive Muskego, WI 53150
 www.nabcoentrances.com 1-877-622-2694

JOB NAME: _____
 LOCATION: _____
 DISTRIBUTOR: _____
 DOOR #: _____ DATE: _____
 SHEET _____ OF _____

GT500-03OP
 BOTTOM LOAD
 HEADER
 OPMAN
 PAIR
 INSWING



GT500
 CONVERSION UNIT
 HEADER AND OPERATOR
 (SPRING CLOSER) ACCESS
 COVER ON BOTTOM



NOTES:

1. GUIDE RAILS, MATS, PUSH PLATES AND VARIOUS ELECTRONIC DEVICES FOR THE DOOR ACTIVATION AND CONTROL ARE OPTIONAL. CONSULT WITH YOUR NABCO/GYRO TECH DISTRIBUTOR.
2. DOORS AND FRAMES ARE NOT INCLUDED UNLESS NOTED.
3. POWER TO HEADER WILL BE 115VAC, 5 AMP PER OPERATOR PROVIDED BY ELECTRICAL CONTRACTOR.
4. STANDARD HARDWARE SUPPLIED WILL ACCOMMODATE DOOR THICKNESS OF 1 3/4" TO 2 1/4".
5. APPLICATION ON BALANCE DOORS REQUIRES RELOCATION OF THE OPERATOR PIVOT.
6. OPMAN IS MANUAL OPERATOR ON ONE DOOR AND AN AUTOMATIC OPERATOR ON THE OTHER DOOR. PLEASE SPECIFY ON THE ORDER WHICH HAND IS TO BE THE AUTOMATIC OPERATOR.

LOW ENERGY