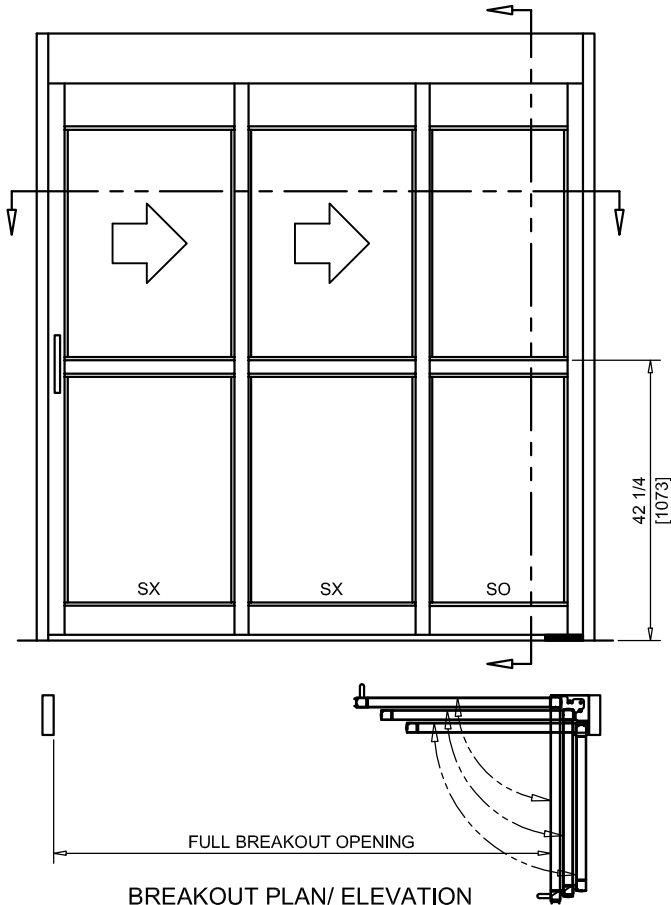




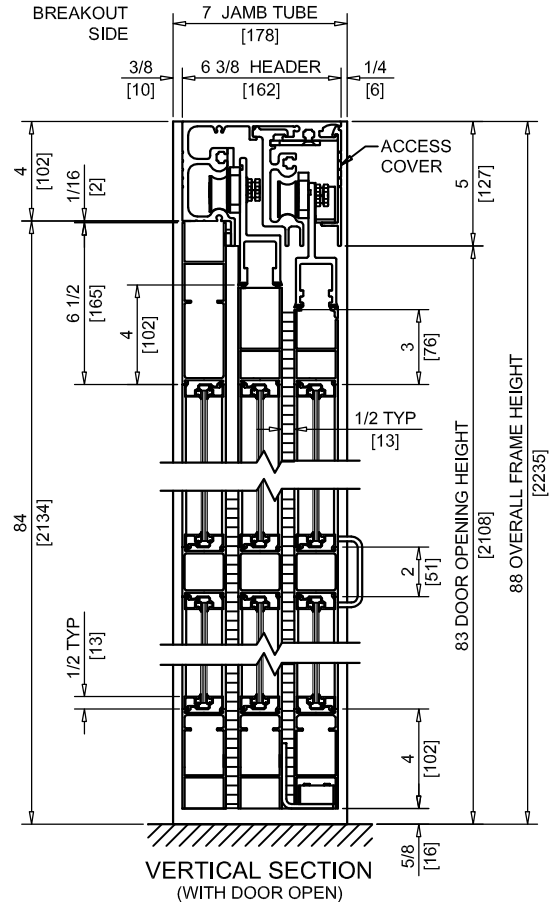
NABCO Entrances Inc.
 S82 W18717 Gemini Drive Muskego, WI 53150
 www.nabcoentrances.com 1-877-622-2694

JOB NAME: _____
 LOCATION: _____
 DISTRIBUTOR: _____
 DOOR #: _____ DATE: _____
 SHEET _____ OF _____

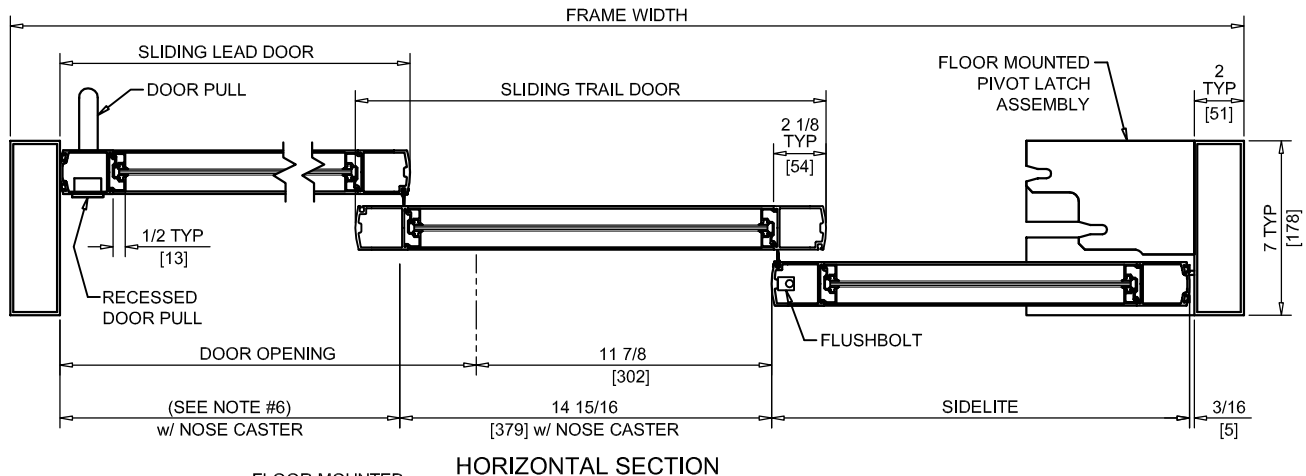
GT2100TR
 SINGLE SLIDE
 RIGHT HAND
 FULL OPEN
 TRACKLESS
 TELESCOPIC



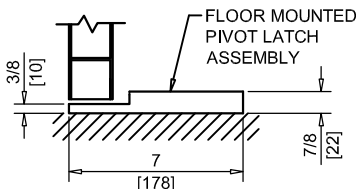
BREAKOUT PLAN/ ELEVATION
 ACCESS COVER ON NON-BREAKOUT SIDE



VERTICAL SECTION
 (WITH DOOR OPEN)



HORIZONTAL SECTION



PIVOT LATCH

NOTES:

- "D" HANDLE PROVIDED ON NON BREAKOUT SIDE. RECESSED HANDLE PROVIDED ON BREAKOUT SIDE. UNITS REQUIRING "D" HANDLES ON BOTH SIDES WILL HAVE REDUCED DOOR OPENING WIDTH BY 1 1/2" [38]. DOOR AND SIDELITE WIDTHS ARE MODIFIED FOR TWO "D" HANDLE APPLICATIONS.
- NO FLOOR TRACK TO INTERFERE WITH TRAFFIC.
- BREAKOUT ONLY FROM FULL OPEN POSITION AFTER RELEASE OF FLUSHBOLT.
- UNITS ARE HANDED FROM THE BREAKOUT SIDE.
- VINYL WEATHERING IS STANDARD.
- CASTERS ARE REQUIRED ON ALL PANELS GREATER THEN 54" WIDE AND/OR 200 LBS OR MORE. UNITS REQUIRING CASTERS WILL HAVE REDUCED DOOR OPENING WIDTH BY 1 1/2" [38]. DOOR AND SIDELITE WIDTHS ARE MODIFIED WHEN CASTERS ARE INSTALLED.
- ROUGH OPENING EQUALS FRAME WIDTH + 1/2" AND FRAME HEIGHT + 1/4".

	DOOR OPENING (SEE NOTE #6)	FULL BREAKOUT OPENING	FRAME WIDTH	SLIDING LEAD DOOR	SLIDING TRAIL DOOR	SIDELITE
MIN.	28 11/16" [729]	51 3/16" [1300]	5'-2" [1575]	24 1/2" [622]	21 3/16" [538]	17 3/16" [437]
MAX.	87 11/16" [2227]	139 9/16" [3545]	12'-6 3/8" [3820]	54" [1372]	50 11/16" [1287]	46 11/16" [1185]