



NABCO Entrances Inc.
 582 W18717 Gemini Drive Muskego, WI 53150
 www.nabcoentrances.com 1-877-622-2694

JOB NAME: _____
 LOCATION: _____
 DISTRIBUTOR: _____
 DOOR #: _____ DATE: _____
 SHEET _____ OF _____

**GT-2300-RA
 MANUAL
 SWING
 UNEQUAL PANELS
 ICU/CCU**

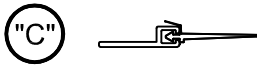
**WEATHERING
 LOCATIONS**



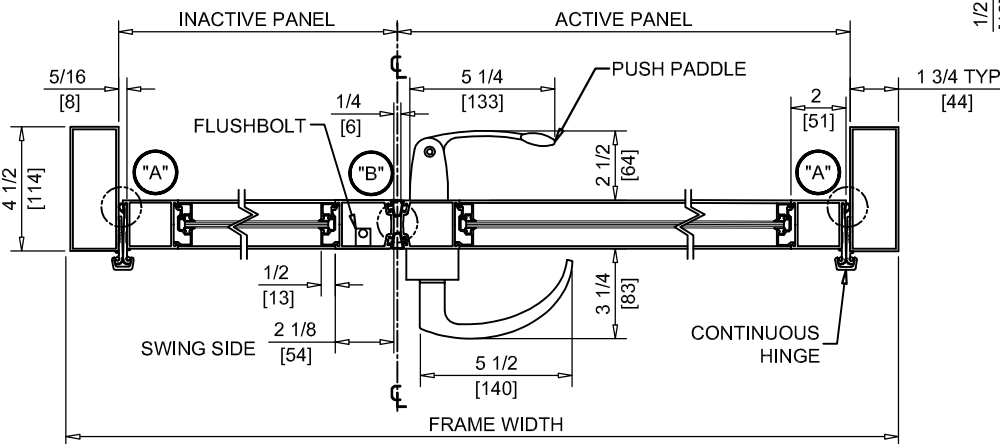
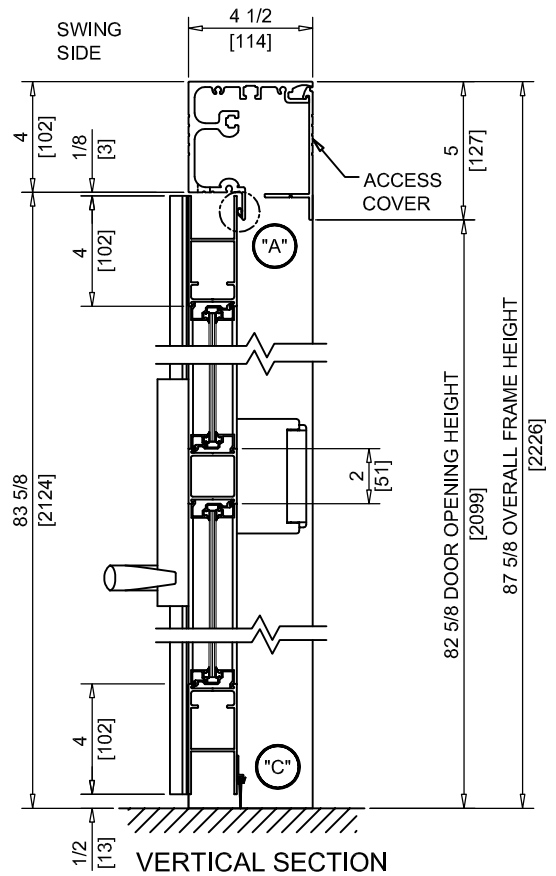
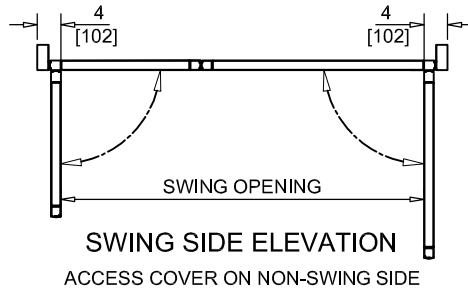
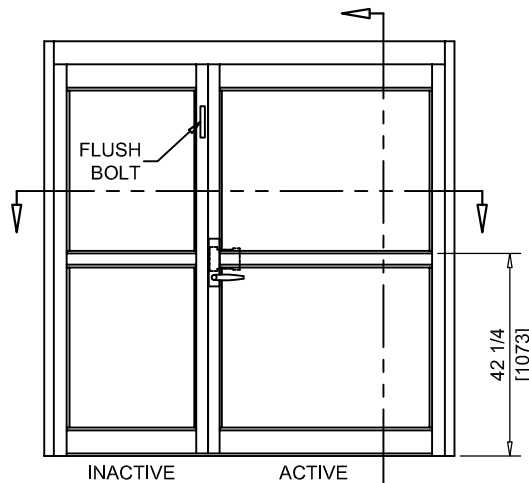
LOCATION OF SMOKE
 SEAL AND DRAFT
 CONTROL GASKETING



LOCATION OF SMOKE
 SEAL AND DRAFT
 CONTROL BULB (VINYL)



LOCATION OF SMOKE
 SEAL AND DRAFT
 CONTROL FIN (VINYL)



HORIZONTAL SECTION (TYPE "A")

CERTIFICATION:

Unit certified to meet Smoke and Air Infiltration requirements of NFPA-105 at ambient temperatures for sprinklered buildings.

NOTES:

- ENTRY TRIM ON SWING SIDE OF ACTIVE PANEL.
- PUSH PADDLE ON NON SWING SIDE OF ACTIVE PANEL.
- FLUSH BOLT ON SWING SIDE OF INACTIVE PANEL.
- SILICONE SMOKE AND DRAFT CONTROL GASKETING RUNS HORIZONTALLY HEADER AND VERTICALLY BETWEEN DOORS AND JAMBS..
- WEATHERING VINYL AT LEAD ENDS OF DOORS. OPTIONAL BRUSH.
- WEATHERING VINYL AT BOTTOM OF DOORS. OPTIONAL BRUSH.
- FINISH IS ANODIZED CLEAR OR DARK BRONZE. OTHER FINISHES ARE OPTIONAL.
- ROUGH OPENING EQUALS FRAME WIDTH +1/2" AND FRAME HEIGHT +1/4".
- BOTH PANELS SWING TO 90° AFTER LATCH OR FLUSH BOLT ARE RELEASED. BOTH PANELS CAPABLE OF 180° OPENING ADDING APPROXIMATELY 3 1/2" TO SWING OPENING.
- PLEASE REFER TO LOCAL, STATE AND NATIONAL BUILDING CODES FOR MINIMUM EGRESS WIDTH AND MINIMUM CLEAR OPENING HEIGHT.
- CUSTOM SIZES AND OPTIONAL ALUMINUM PROFILES ARE AVAILABLE.

FRAME WIDTH	INACTIVE * DOOR	ACTIVE DOOR	SWING OPENING
5'-3 1/2" [1613]	24" [610]	36" [914]	55 1/2" [1410]
5'-9 1/2" [1765]	24" [610]	42" [1067]	61 1/2" [1562]
6'-3 1/2" [1918]	24" [610]	48" [1219]	67 1/2" [1715]

* Optional widths up to 48" for inactive panel available.